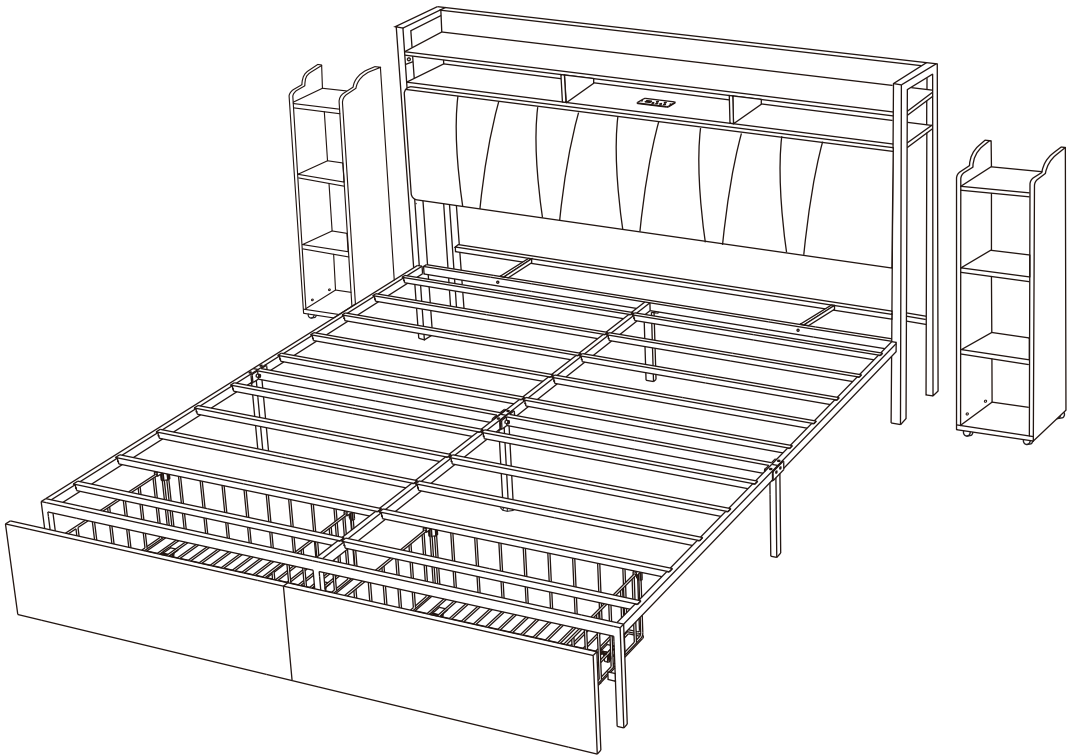


# Bed Frame Assembly Instructions

QUEEN



# Bed Frame Assembly Instructions

Dear Customer,

Thank you for choosing our bed frame! Before you start assembling, please take a couple of minutes to review the tips below to ensure a smooth and safe assembly. If you have any issues during the assembly, please reach out to us.

## IMPORTANT NOTES:

- Please keep these instructions for future reference.
- After receiving the package, unpack all the parts and assemble the bed on a soft surface (like a carpet or mat) to avoid scratching the components.
- We recommend having two people for assembly.
- If you notice any unusual smell while assembling, don't worry — this is normal. Just place the product in a well-ventilated area (like a balcony or patio) for 1–2 days. Our products are certified and safe, so there's no need to worry about health risks.

## Return/Damage Claims:

- If your package arrives damaged, please reach out to us with photos of the damage. For non-human caused quality issues, we will do our best to resolve them. Returns due to personal reasons will require you to cover the return shipping fee.
- To return an item, it must be in brand new, unopened condition within 30 days of receipt. Please use the return label we provided. Do not mix labels across different boxes.
- Returns after 30 days may not be processed. Thank you for your understanding.
- The product comes with a 1-year warranty. For issues caused by non-human factors, we'll replace any defective parts for free. After the warranty period or for accidental damage, parts can be replaced at your cost for shipping.

## Assembly Guide

Before starting, make sure you have all the parts listed in the manual. If something is missing, stop the assembly and contact us immediately.

### Tips:

- Don't tighten the screws completely until all parts are aligned.
- If screws don't align with the holes, slightly loosen them and tighten diagonally.
- If the frame feels uneven or unstable after assembly, loosen nearby screws, adjust the alignment, then re-tighten in a diagonal pattern.

## Limited Warranty

We're dedicated to providing great customer service and making your experience as smooth as possible.

**Return Policy:** You can return the product within 30 days of receipt, as long as it's in brand new, unused condition. We'll inspect the returned product and issue a refund once we confirm it's undamaged.

**Warranty Coverage:** The product is covered by a 1-year warranty starting from the purchase date. We'll replace parts for free in case of non-human-caused damage. For personal damage, parts can be replaced at your cost for shipping.

### Exclusions:

1. Claims submitted after the warranty period will not be considered.
2. Products purchased by mistake are not covered.

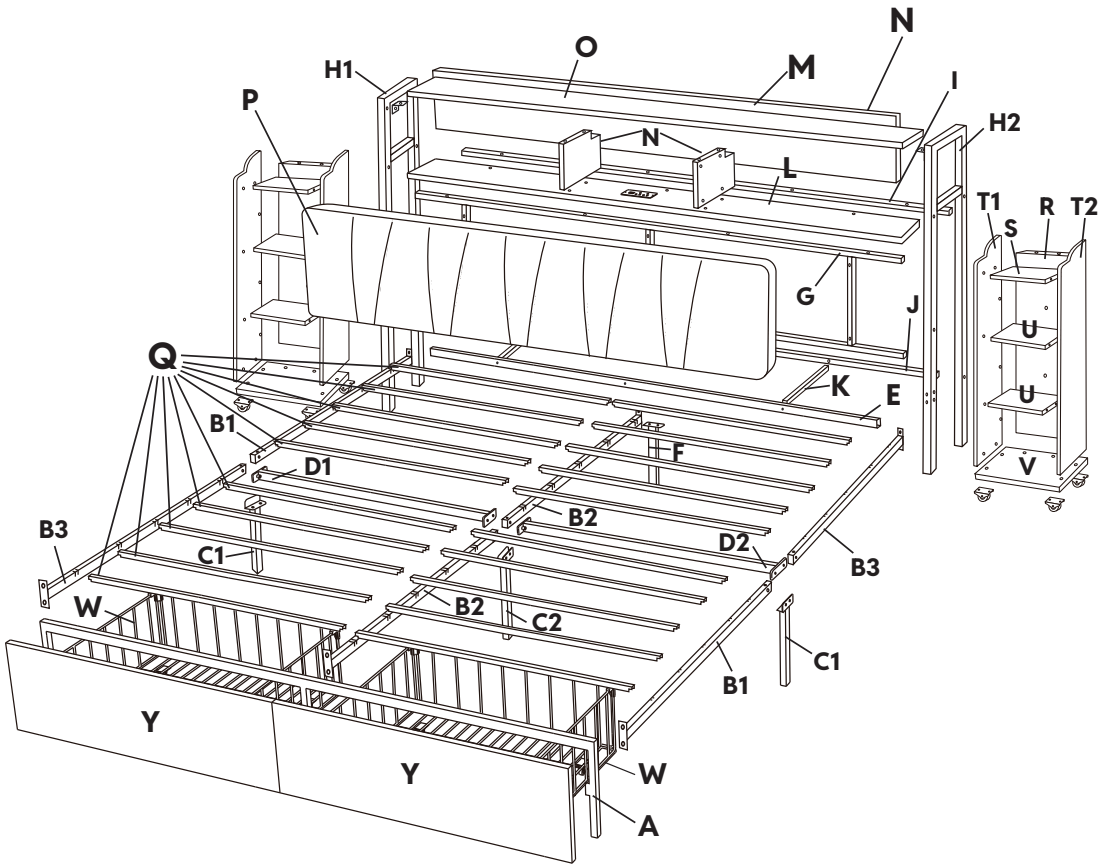
Any defects in materials or craftsmanship will be repaired or replaced within a reasonable time, free of charge. We reserve the right to ask for the return of damaged parts.

Note: Natural wood grain variations, fabric wrinkles, and slight color differences are considered normal features, not defects.

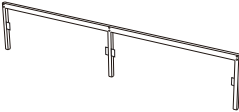
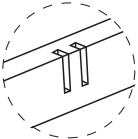
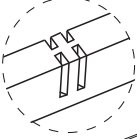


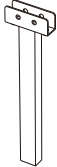
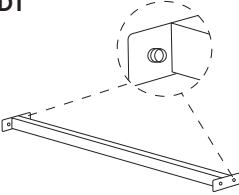
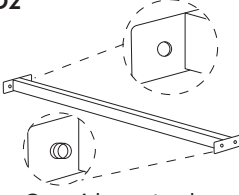
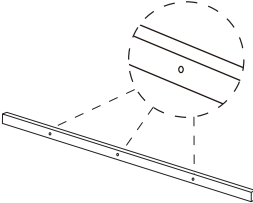
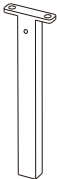
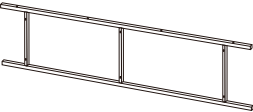


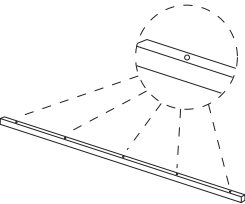
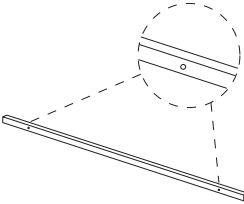
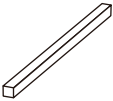
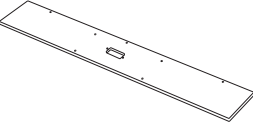
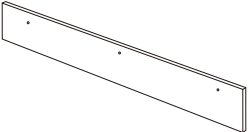
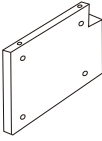
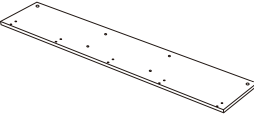
If you have any questions regarding the warranty, please contact us. Be ready to provide your name, address, phone number, product model, order number, purchase date, and store name for quick processing.

This warranty gives you specific legal rights, and you may have other rights that vary depending on your location.

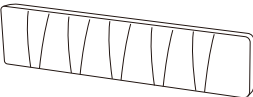
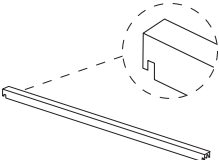
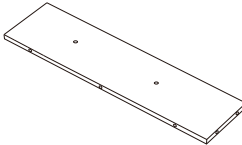
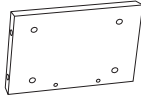
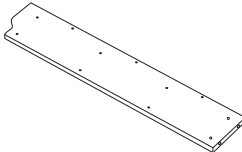
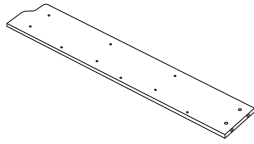
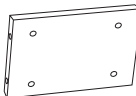
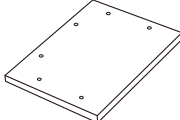

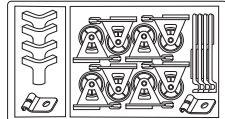
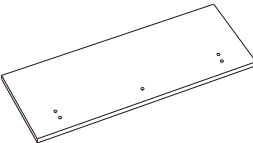
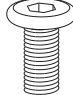
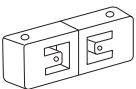
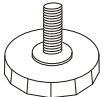
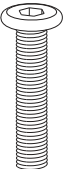
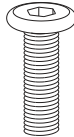
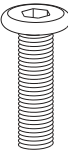


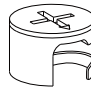
**MADE IN CHINA**




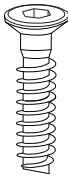
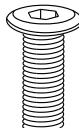
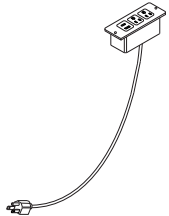






# Parts list

<p><b>A</b></p> 	<p><b>B1</b></p>  <p><b>x2</b></p>	<p><b>B2</b></p>  <p><b>x2</b></p>	<p><b>B3</b></p>  <p><b>x2</b></p>
<p><b>C1</b></p>  <p><b>x2</b></p>	<p><b>C2</b></p> 	<p><b>D1</b></p>  <p>Protrusions on both sides</p>	<p><b>D2</b></p>  <p>One side protrudes, the other is flat</p>
<p><b>E</b></p> 	<p><b>F</b></p> 	<p><b>G</b></p> 	<p><b>H1</b></p> 
<p><b>H2</b></p> 	<p><b>I</b></p> 	<p><b>J</b></p> 	<p><b>K</b></p>  <p><b>x2</b></p>
<p><b>L</b></p> 	<p><b>M</b></p> 	<p><b>N</b></p>  <p><b>x2</b></p>	<p><b>O</b></p> 

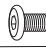
# Parts list

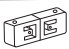
<p><b>P</b></p> 	<p><b>Q</b></p>  <p><b>x20</b></p>	<p><b>R</b></p>  <p><b>x2</b></p>	<p><b>S</b></p>  <p><b>x2</b></p>
<p><b>T1</b></p>  <p><b>x2</b></p>	<p><b>T2</b></p>  <p><b>x2</b></p>	<p><b>U</b></p>  <p><b>x4</b></p>	<p><b>V</b></p>  <p><b>x2</b></p>
<p><b>W</b></p>  <p><b>x2</b></p>	<p><b>X</b></p>  <p><b>x2</b></p>	<p><b>Y</b></p>  <p><b>x2</b></p>	<p>①</p>  <p>M6x13mm <b>x28</b></p>
<p>②</p>  <p><b>x3</b></p>	<p>③</p> 	<p>④</p>  <p>M6x45mm <b>x6</b></p>	<p>⑤</p>  <p>M6x30mm <b>x12</b></p>
<p>⑥</p>  <p>M6x35mm <b>x18</b></p>	<p>⑦</p>  <p><b>x20</b></p>	<p>⑧</p>  <p>7x40mm <b>x64</b></p>	<p>⑨</p>  <p><b>x64</b></p>

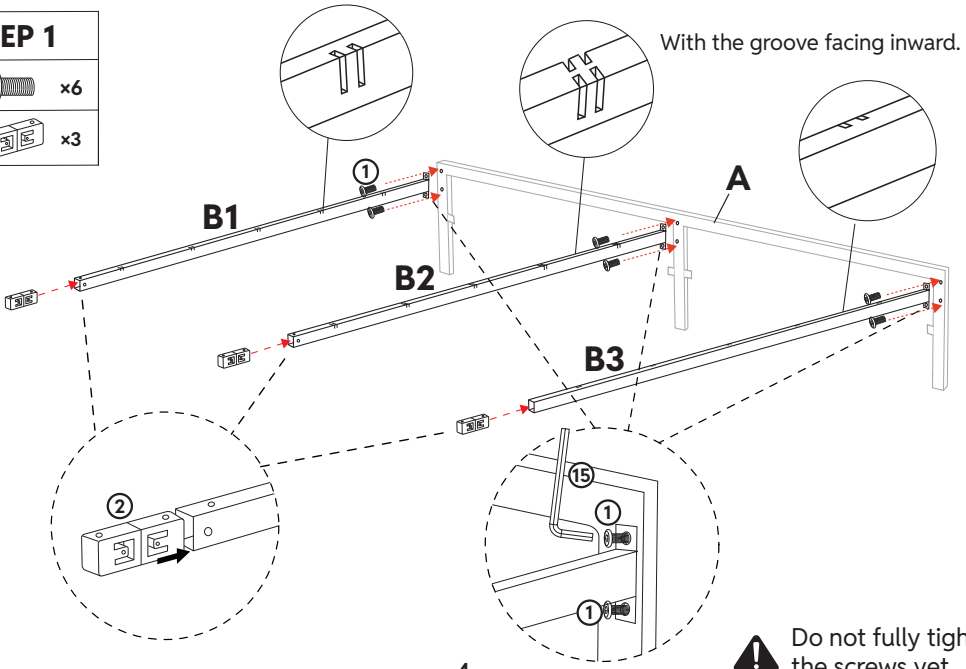
# Parts list


<p>⑩</p> 	<p>⑪</p>  <p>M7×38mm ×8</p>	<p>⑫</p>  <p>M6×30mm ×8</p>	<p>⑬</p> 
<p>⑭</p> 	<p>⑮</p>  <p>M5</p>	<p>⑯</p>  <p>M4</p>	<p>⑰</p>  <p>×2</p>
<p>⑱</p>  <p>×8</p>	<p>⑲</p>  <p>×28</p>		

**STEP 1**

①  ×6

②  ×3

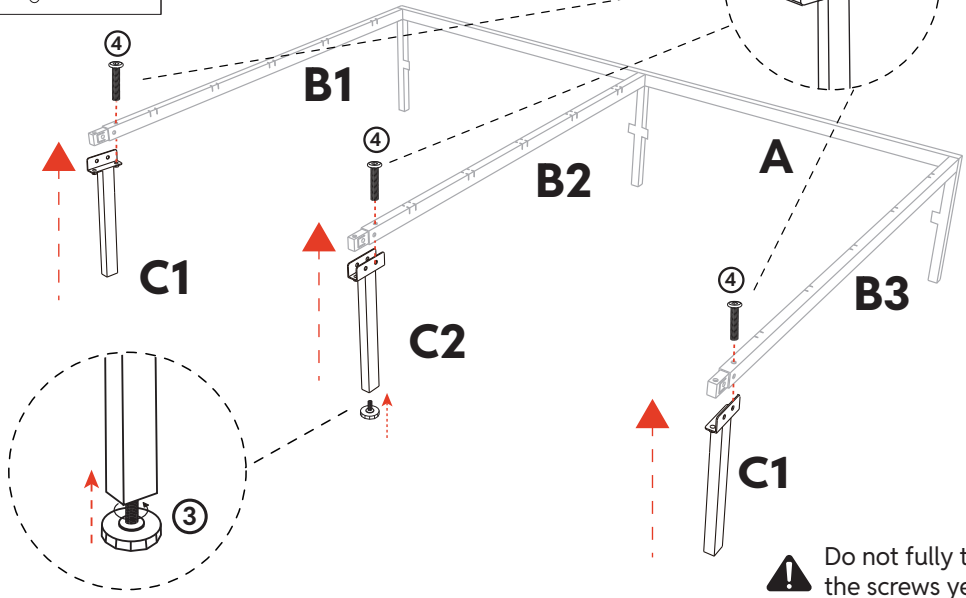


 Do not fully tighten the screws yet.

## STEP 2

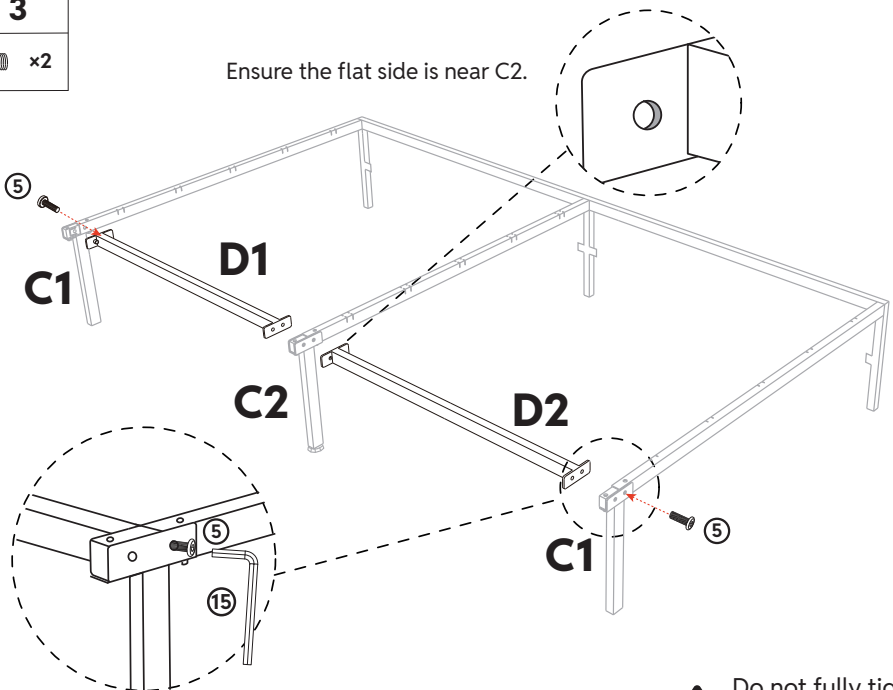
③ x1

④ x3




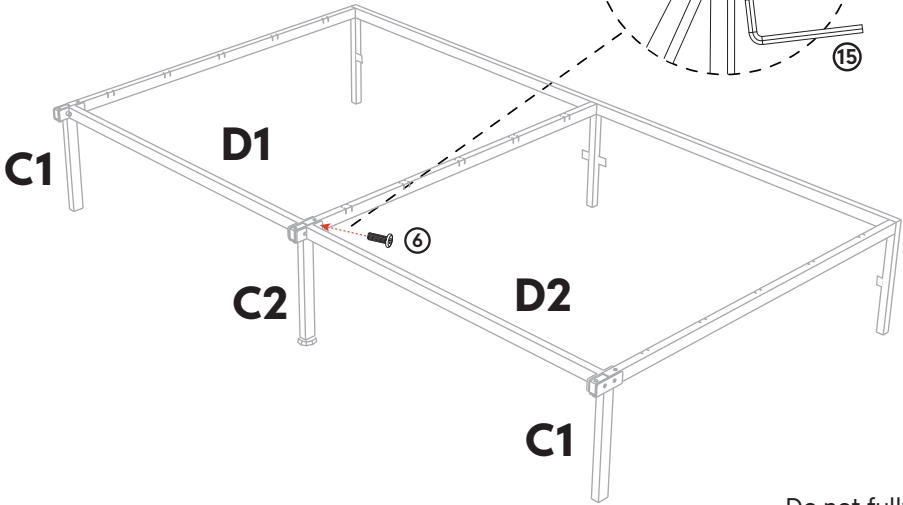
## STEP 3


⑤ x2



### STEP 4

⑥  x1



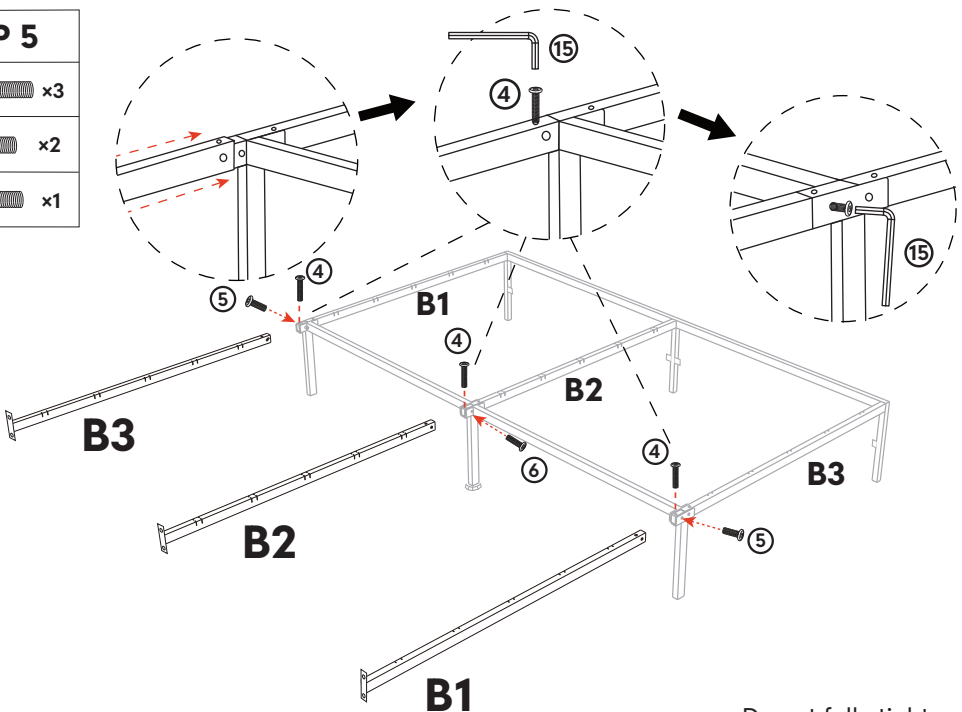
 Do not fully tighten the screws yet.


### STEP 5

④  x3

⑤  x2

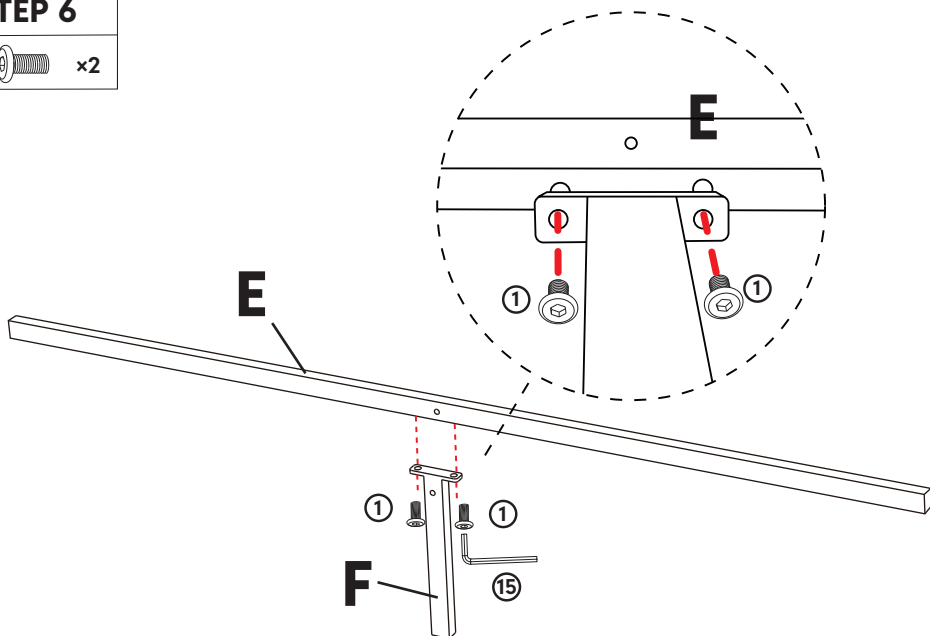
⑥  x1



 Do not fully tighten the screws yet.

### STEP 6

①  x2




Do not fully tighten the screws yet.

### STEP 7

⑰  x2

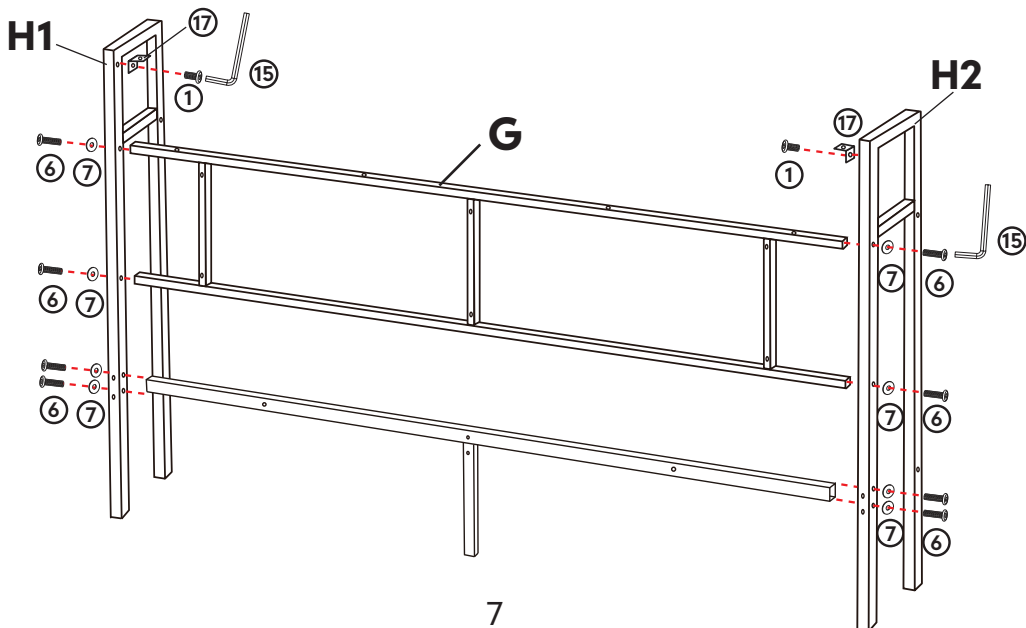
①  x2

⑥  x8

⑦  x8



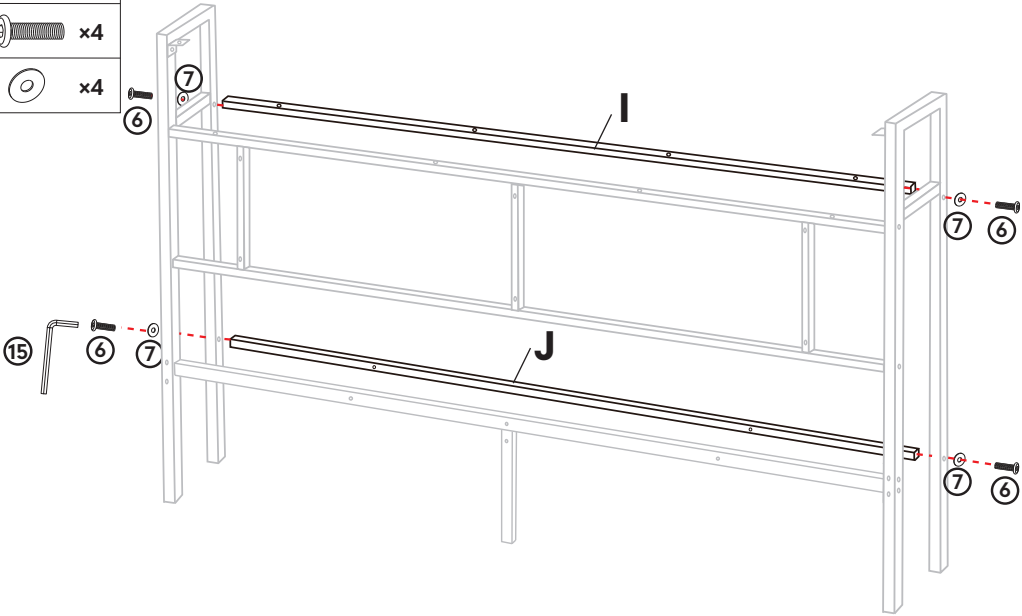
Do not fully tighten the screws yet.




## STEP 8

⑥  x4

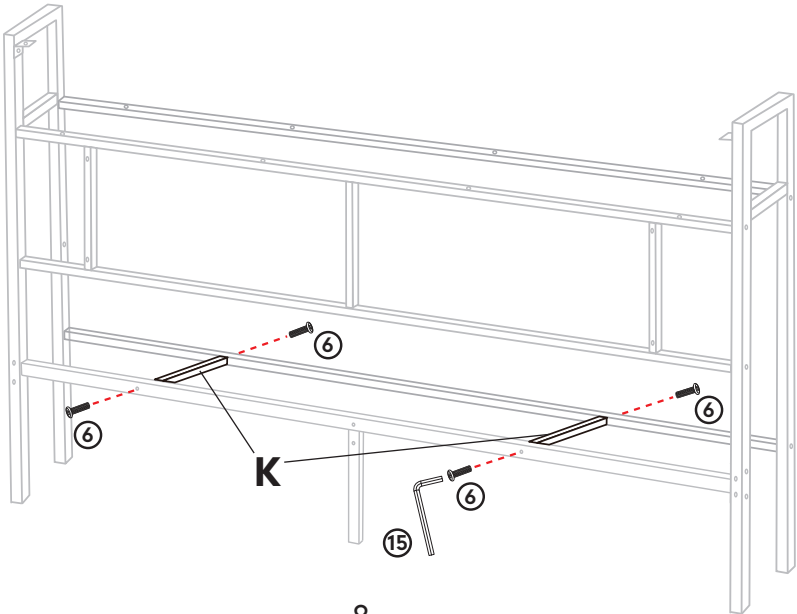
⑦  x4




 Do not fully tighten the screws yet.


## STEP 9

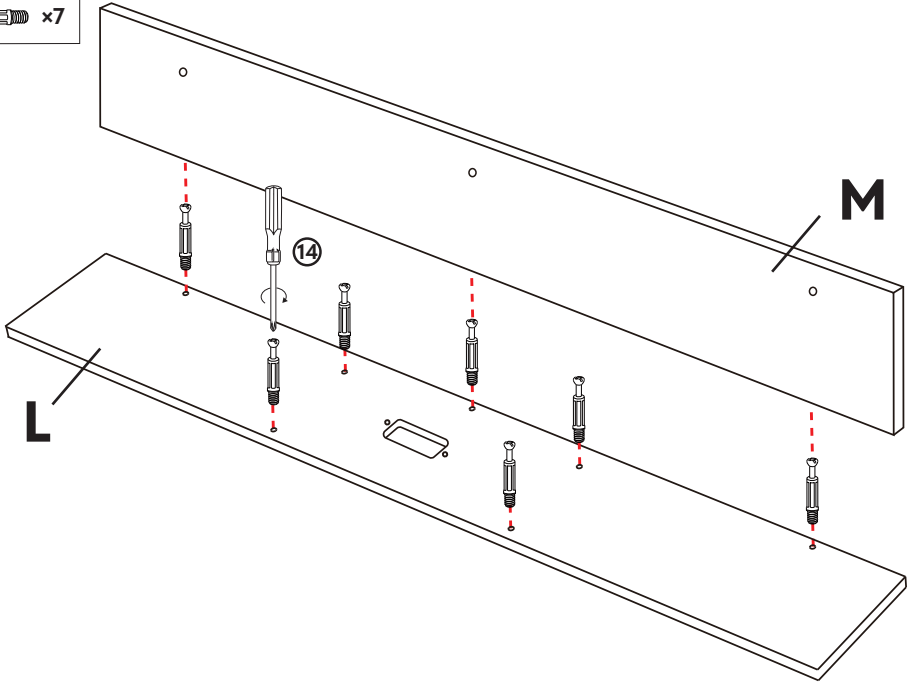
⑥  x4



 Do not fully tighten the screws yet.

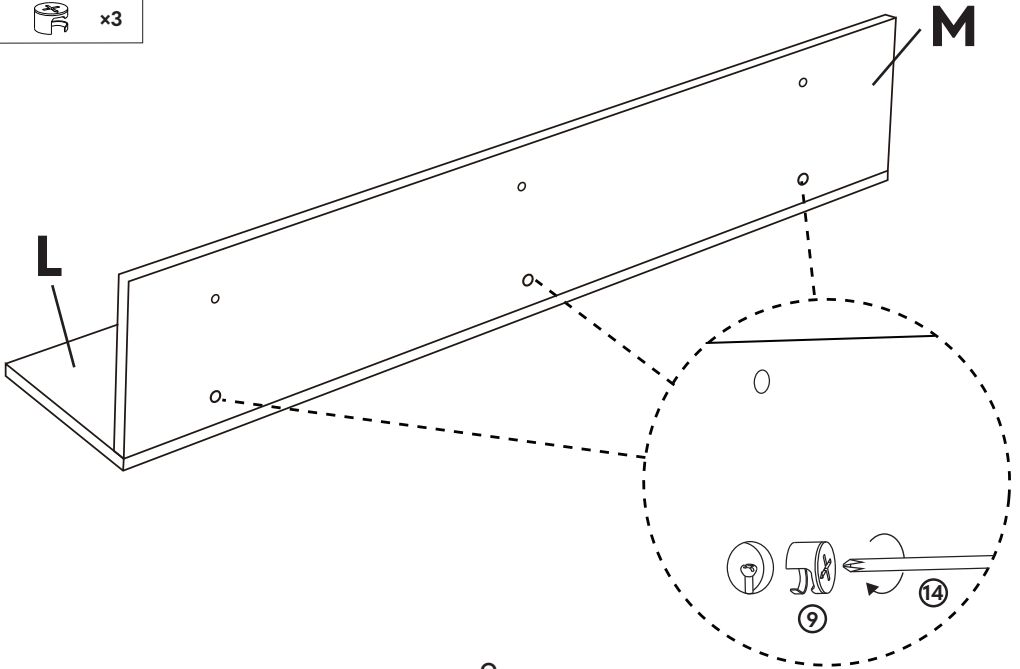
# STEP 10

⑧  x7



# STEP 11


⑨  x3



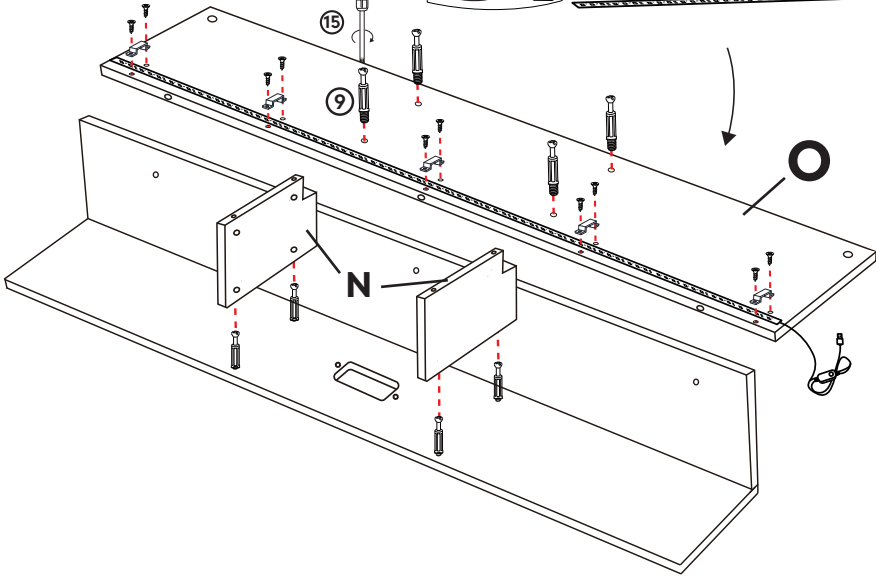
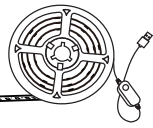
# STEP 12

10



8  x4

10

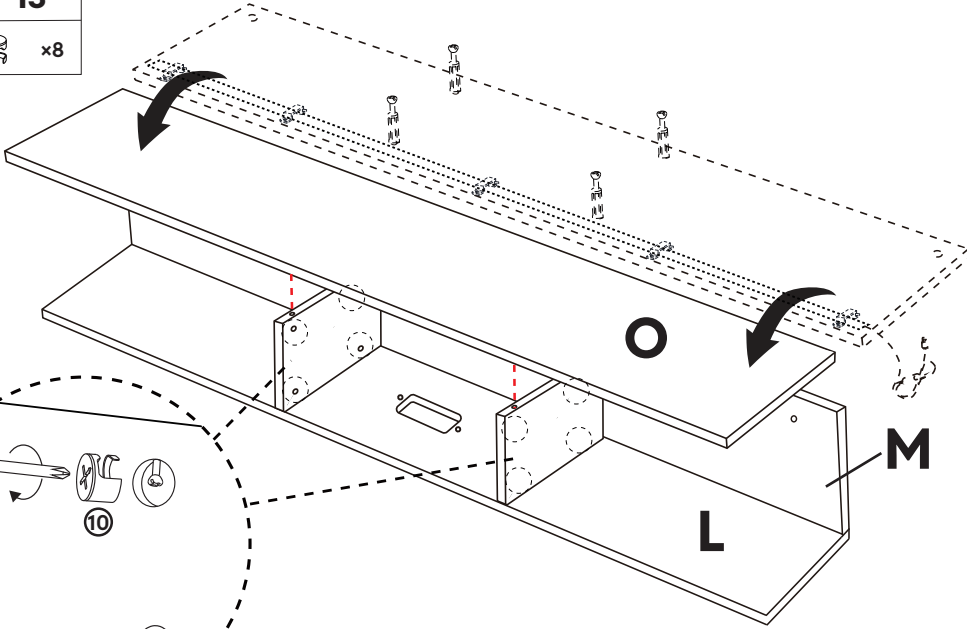


# STEP 13

9

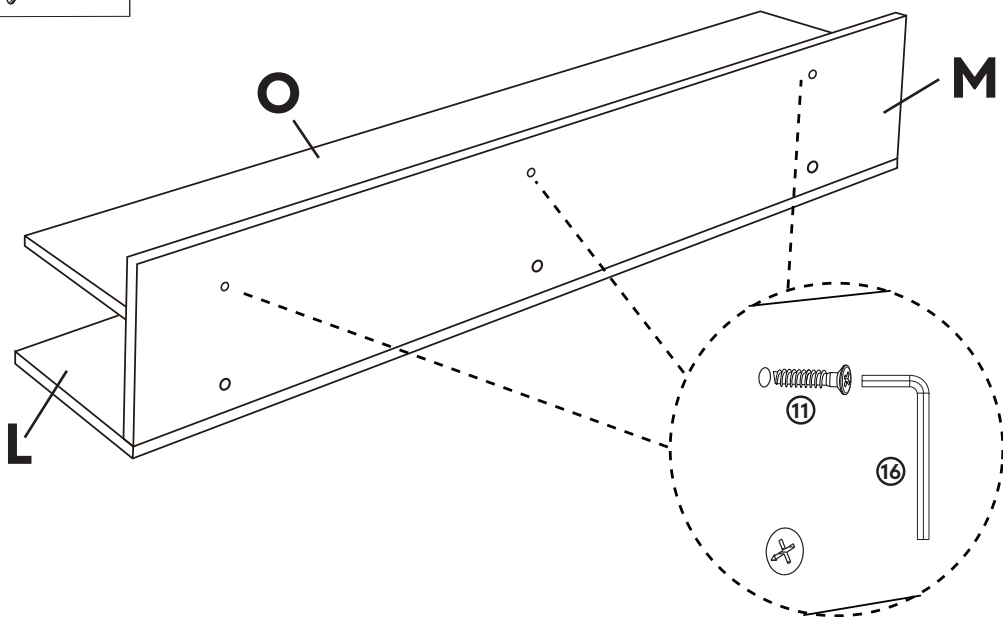


x8



## STEP 14

⑪  x3

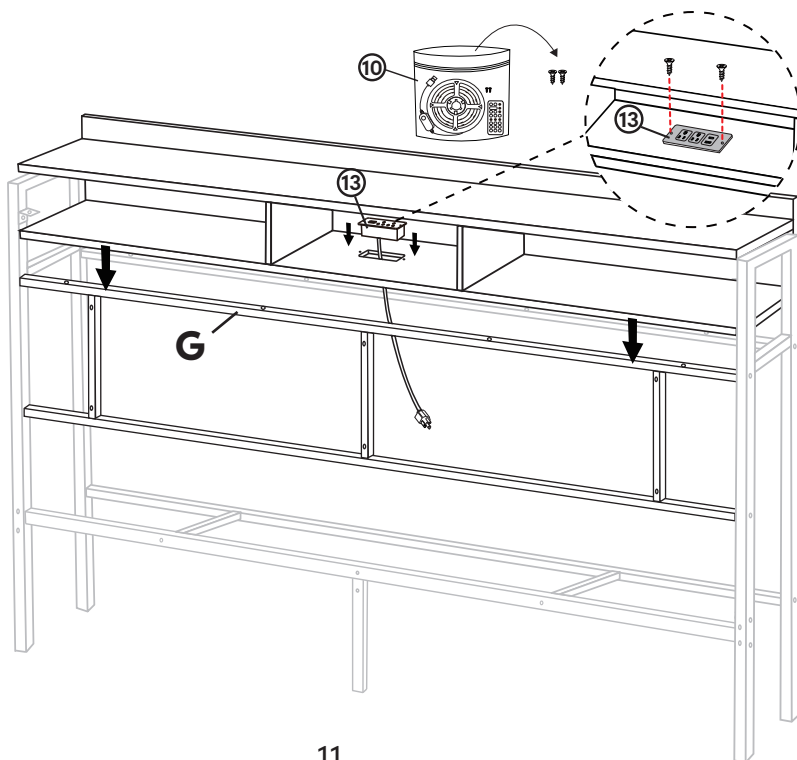


## STEP 15

⑬



⑩

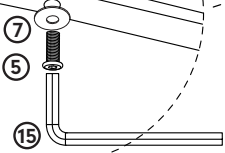
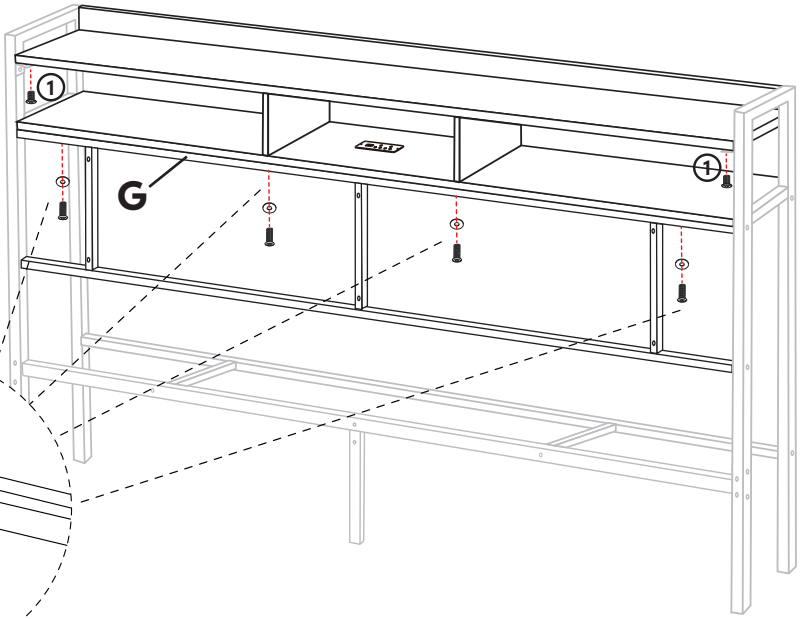


## STEP 16

⑤  x4

⑦  x4

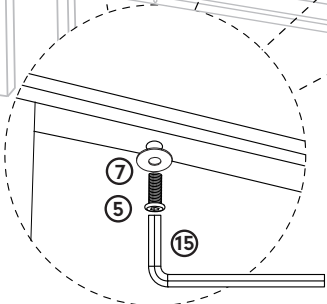
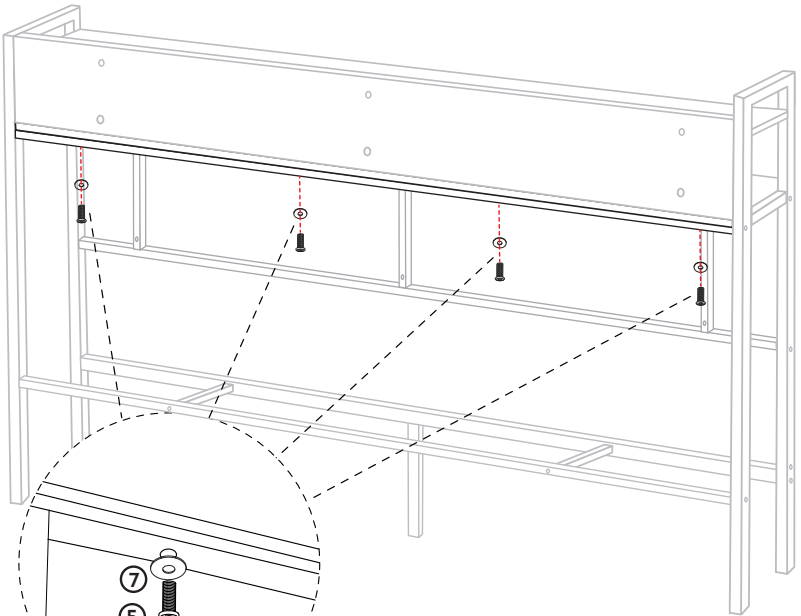
①  x2



## STEP 17

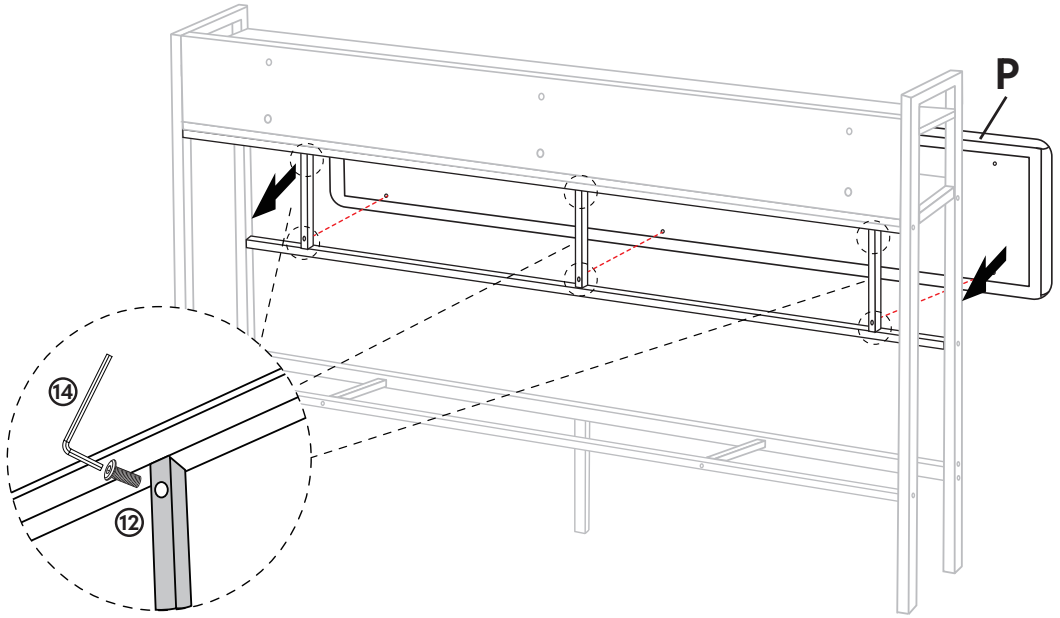
⑤  x4

⑦  x4



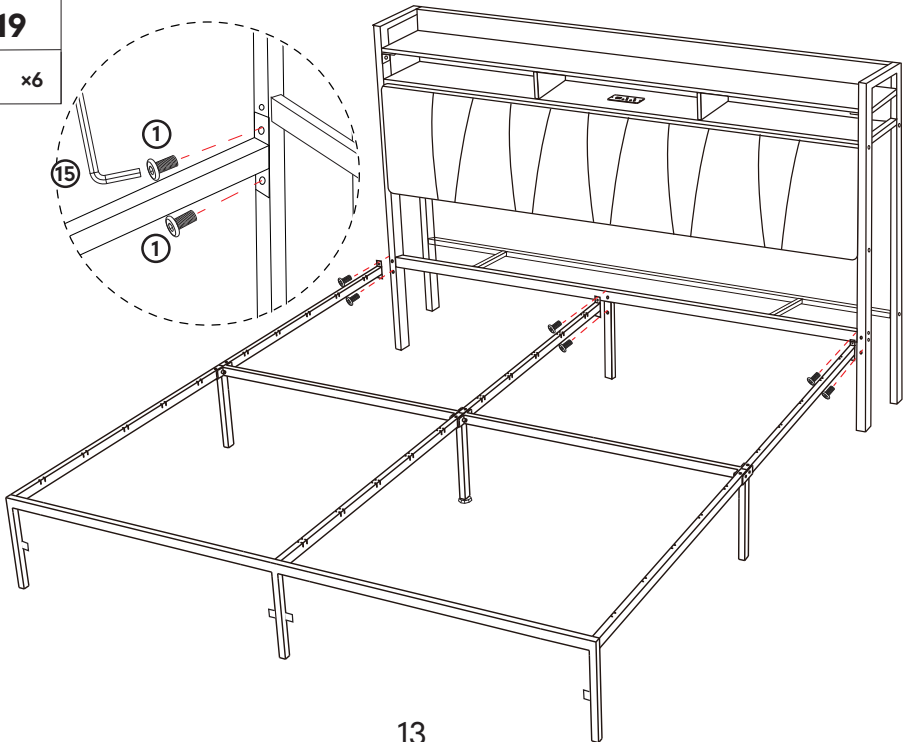
## STEP 18

⑫  x6

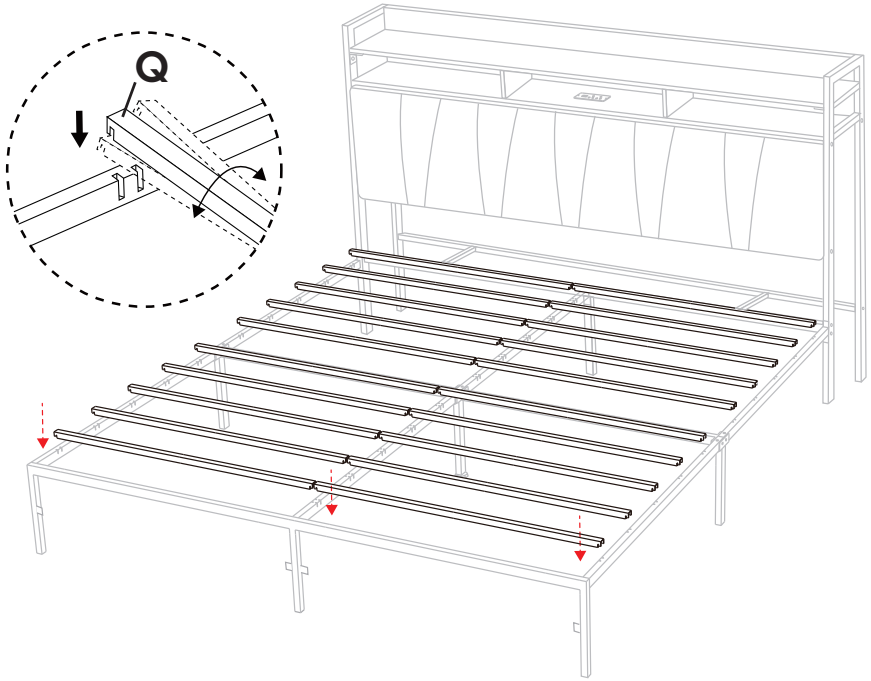


## STEP 19

①  x6



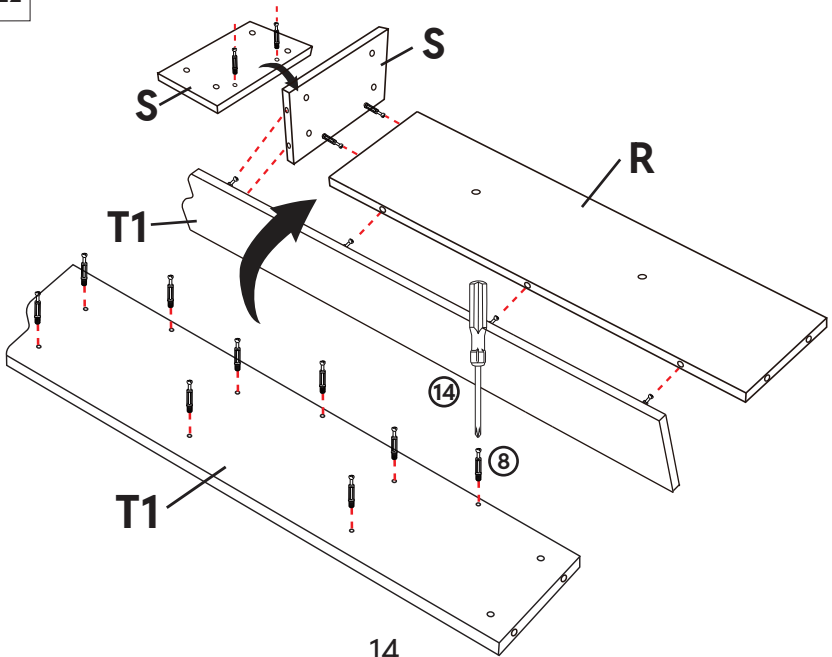
# STEP 20



# STEP 21

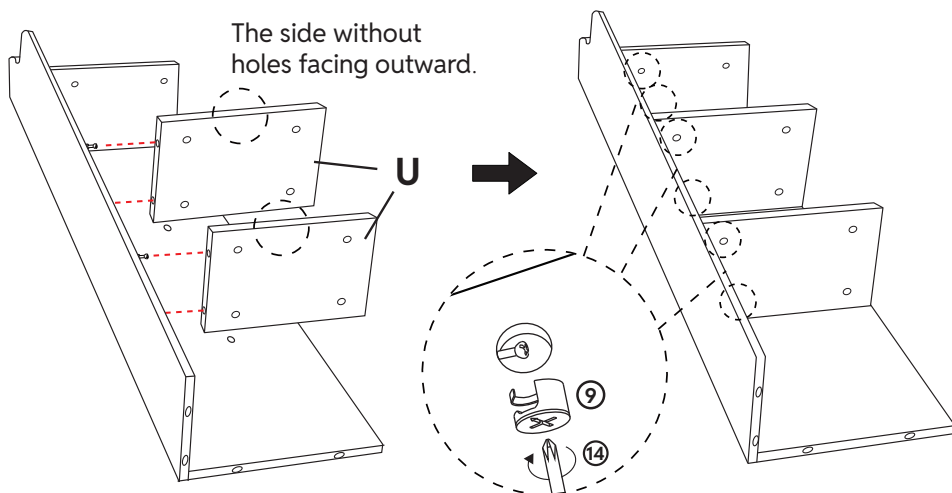
Repeat this step twice.

⑧  x22

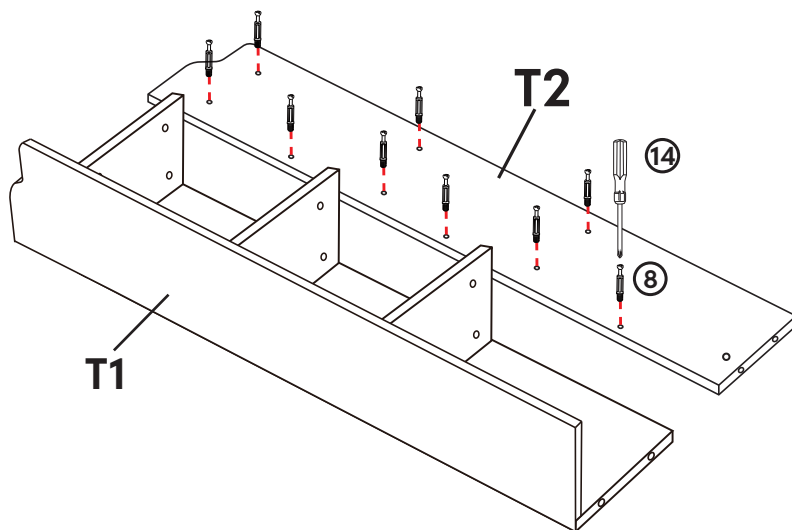


**STEP 22**

Repeat this step twice.

⑨  x12**STEP 23**

Repeat this step twice.

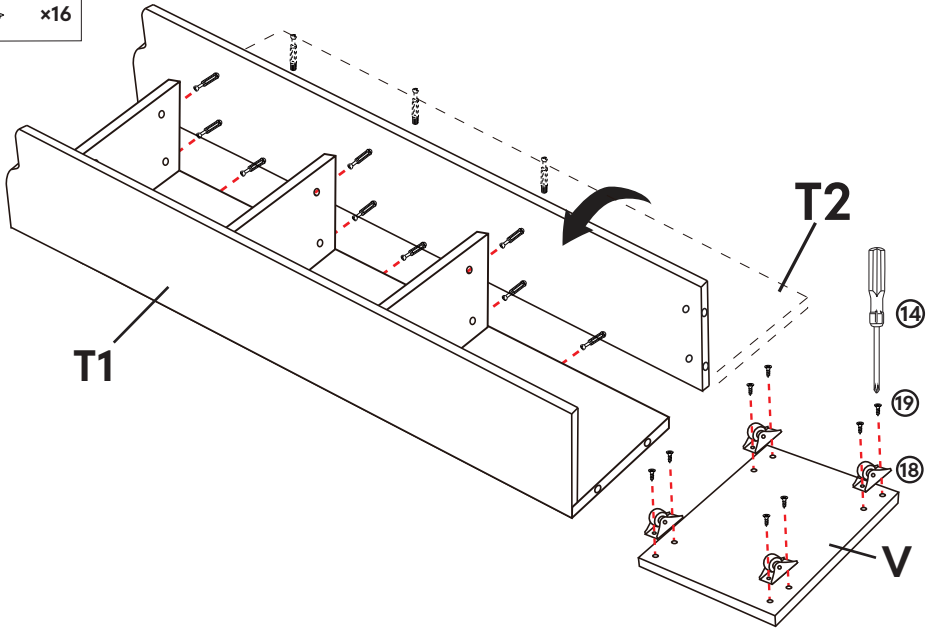
⑧  x18

### STEP 24

Repeat this step twice.

18  x8

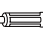
19  x16

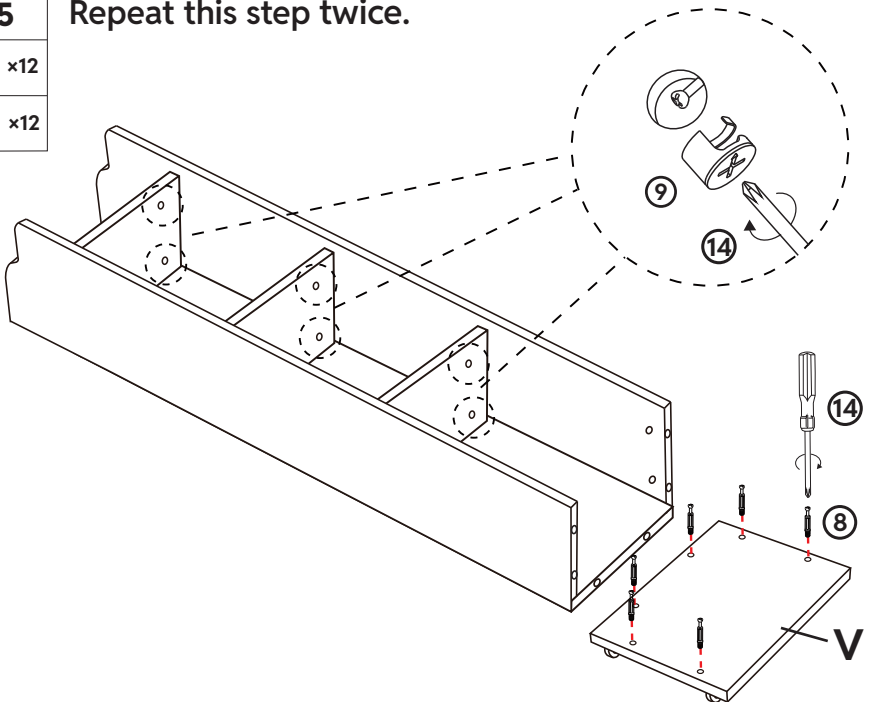


### STEP 25

Repeat this step twice.

9  x12

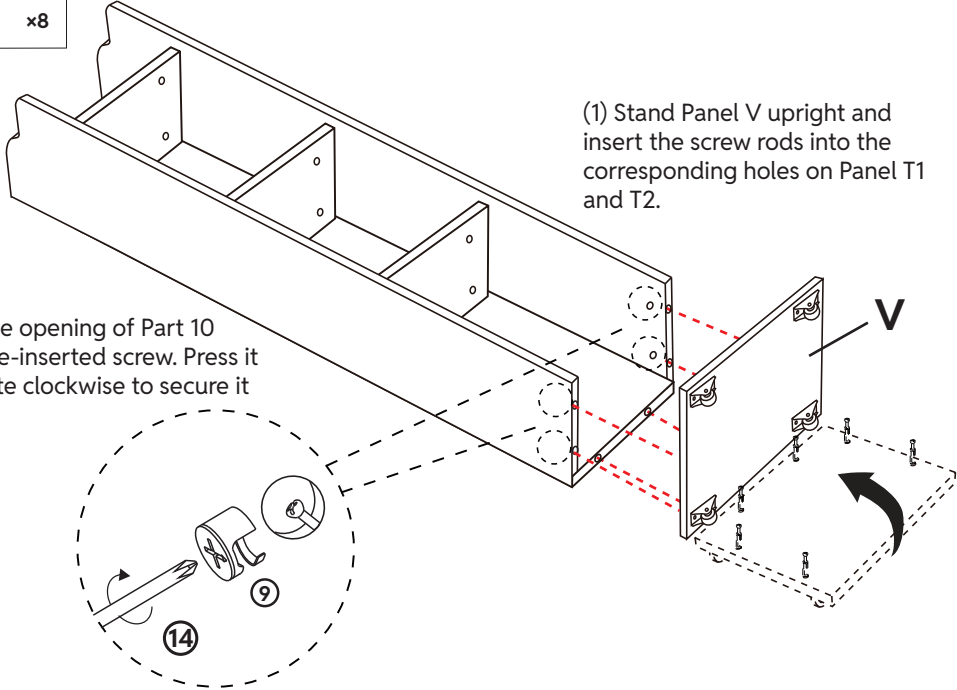
8  x12



**STEP 26**

Repeat this step twice.

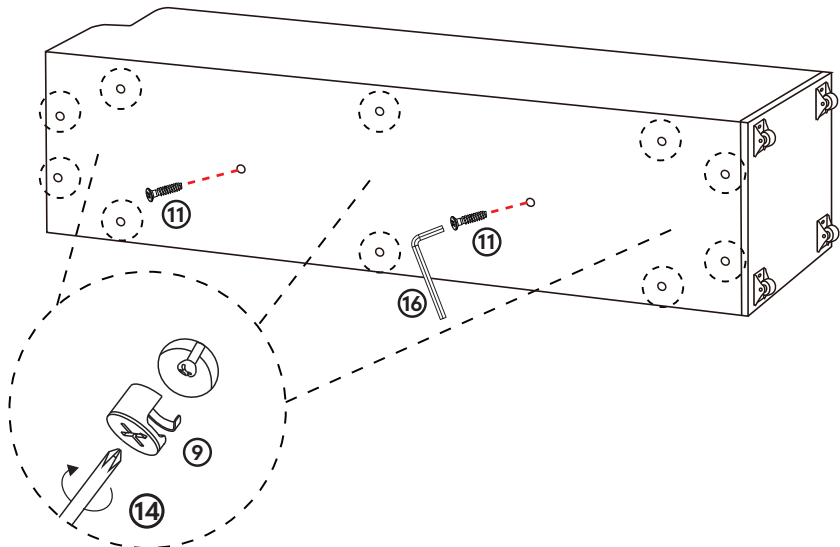
9		x8
---	---	----

**STEP 27**

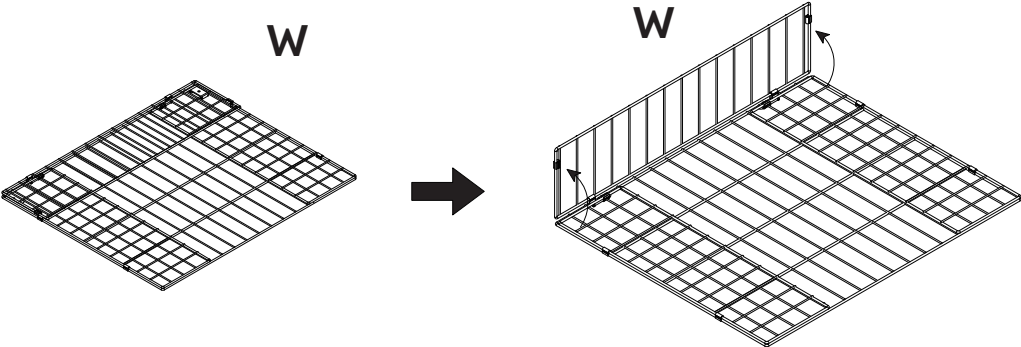
Repeat this step twice.

9		x20
---	--	-----

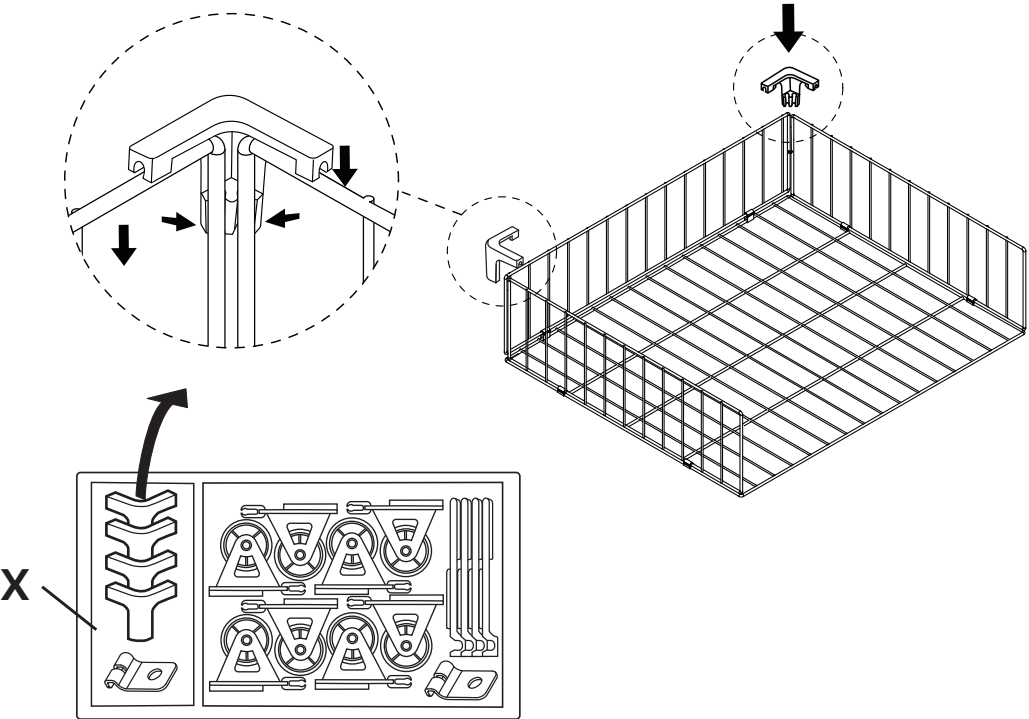
11		x4
----	--	----



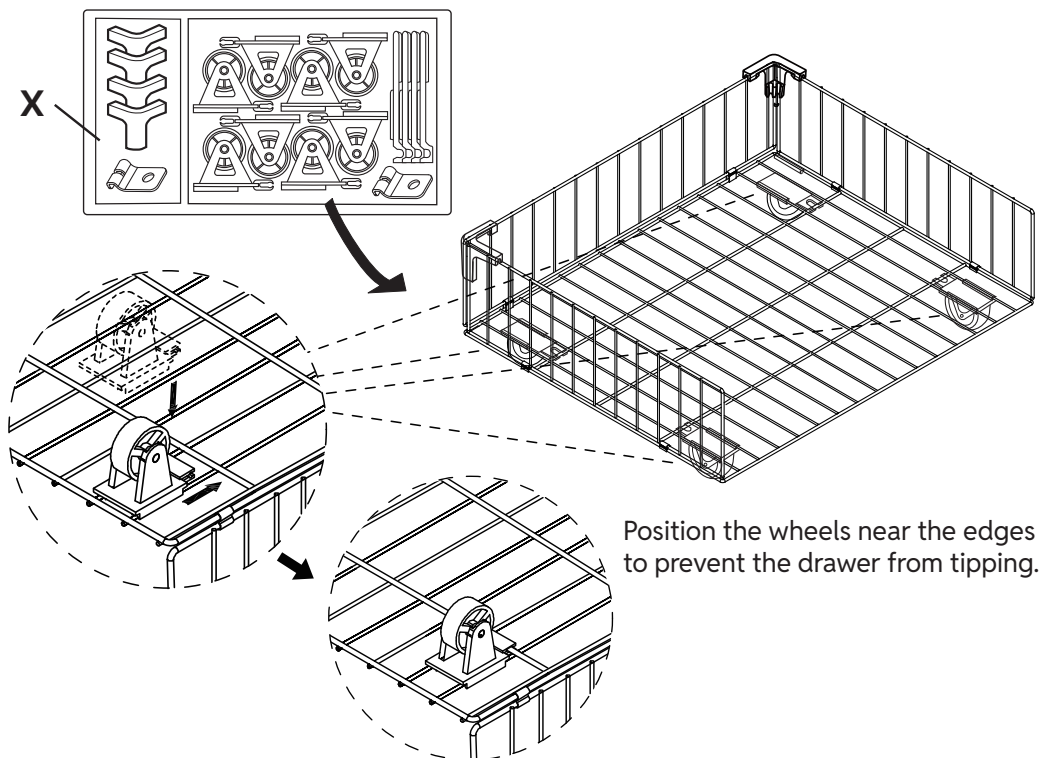
**STEP 28** Repeat this step twice.



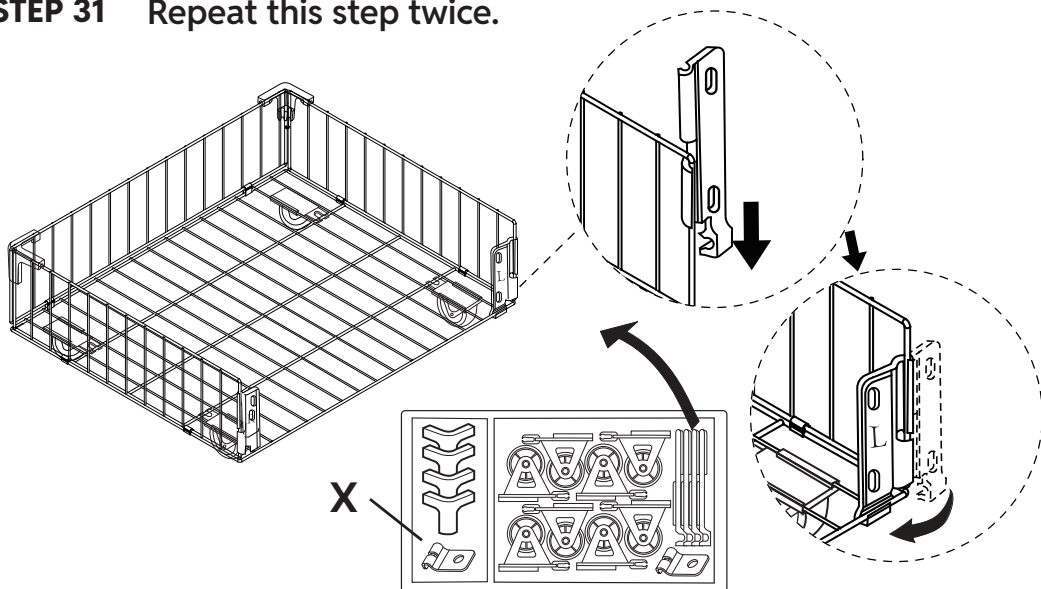
**STEP 29** Repeat this step twice.



**STEP 30** Repeat this step twice.



**STEP 31** Repeat this step twice.



# STEP 32

Repeat this step twice.

①  x10

