

# INSTALLATION GUIDE

Please immediately check for any hidden damage that may have occurred in shipping. If any damage is found you must notify the delivering carrier within 72 hours. Missing items must be reported to your vendor within 48 hours of receipt.

Your sauna package will arrive on a stretch-wrapped pallet including a stack of pre-built panels, benches, and boxes with the heater and accessories.

Your sauna can be placed on concrete, tile, linoleum or any surface that does not absorb water. Do not install the sauna on carpeting.

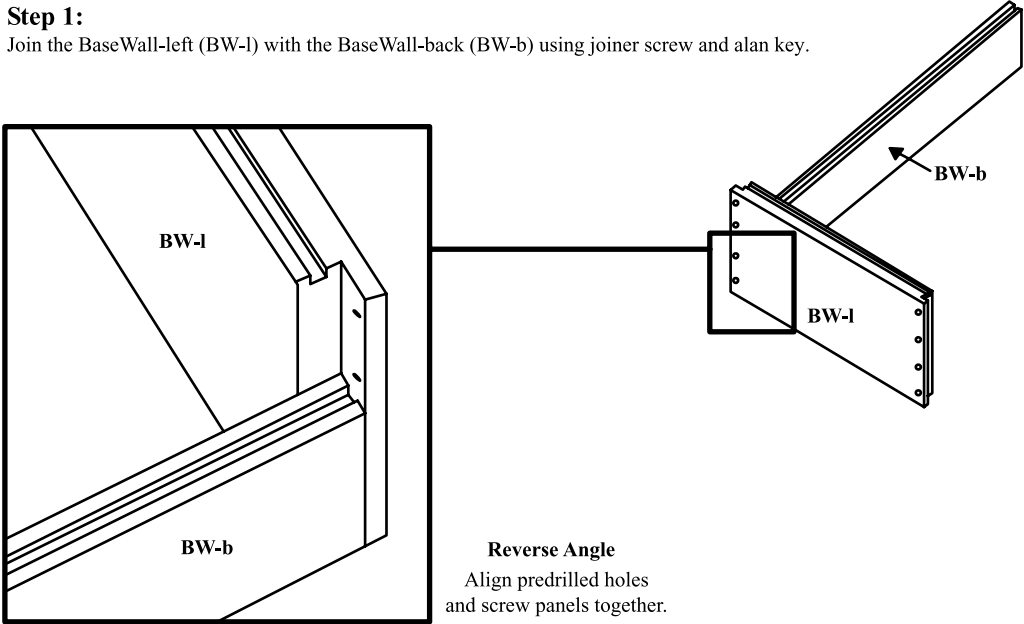
All components of the sauna are pre-drilled, such as benches, heater guard, leveler, backrest, and wall panels.

# Classic Modular Installation Instructions

SAUNACORE

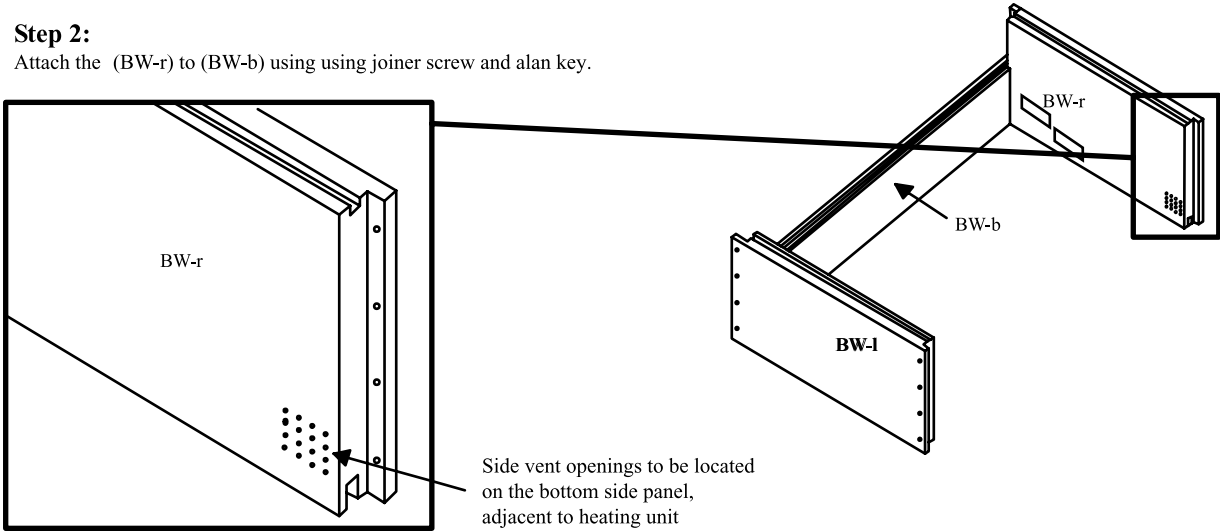
**Step 1:**

Join the BaseWall-left (BW-l) with the BaseWall-back (BW-b) using joiner screw and alan key.



**Step 2:**

Attach the (BW-r) to (BW-b) using using joiner screw and alan key.



**Note: If any wall width is 4 feet or less. That wall will be a one piece partition**

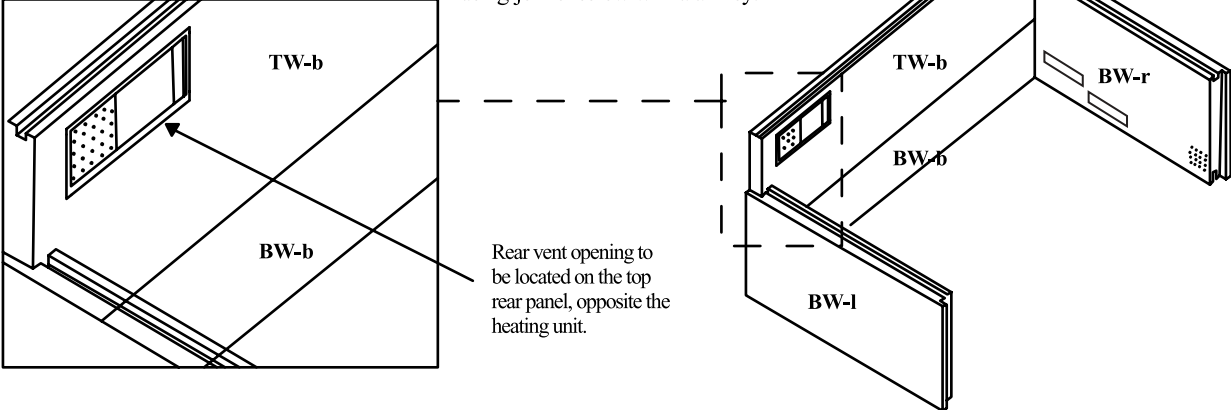
Base Wall -Left	BW-l	Top Wall -Left	TW-l	Front Wall	-FW
Base Wall -Back	BW-b	Top Wall -Back	TW-b	Roof	-R
Base Wall -Right	BW-r	Top Wall -Right	TW-r	Lower cross brace	-LCB
				Top cross brace	-TCB

# Classic Modular Installation Instructions

SAUNACORE

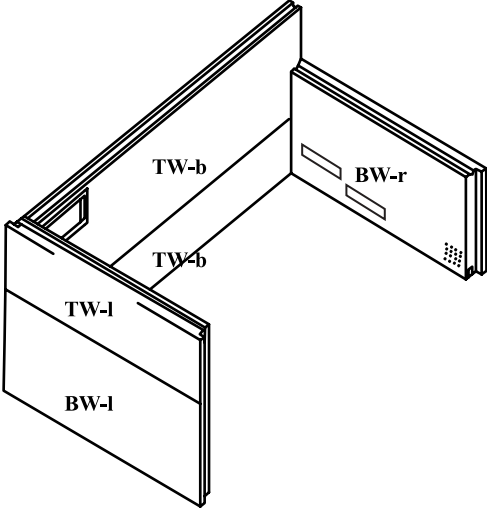
### Step 3:

Place the (TW-b) on top of the (BW-b) joint to base wall-l and base Wall-R using jointer screw with alan key.



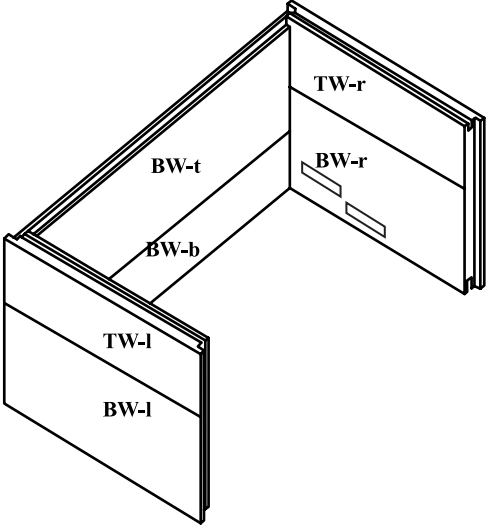
### Step 4:

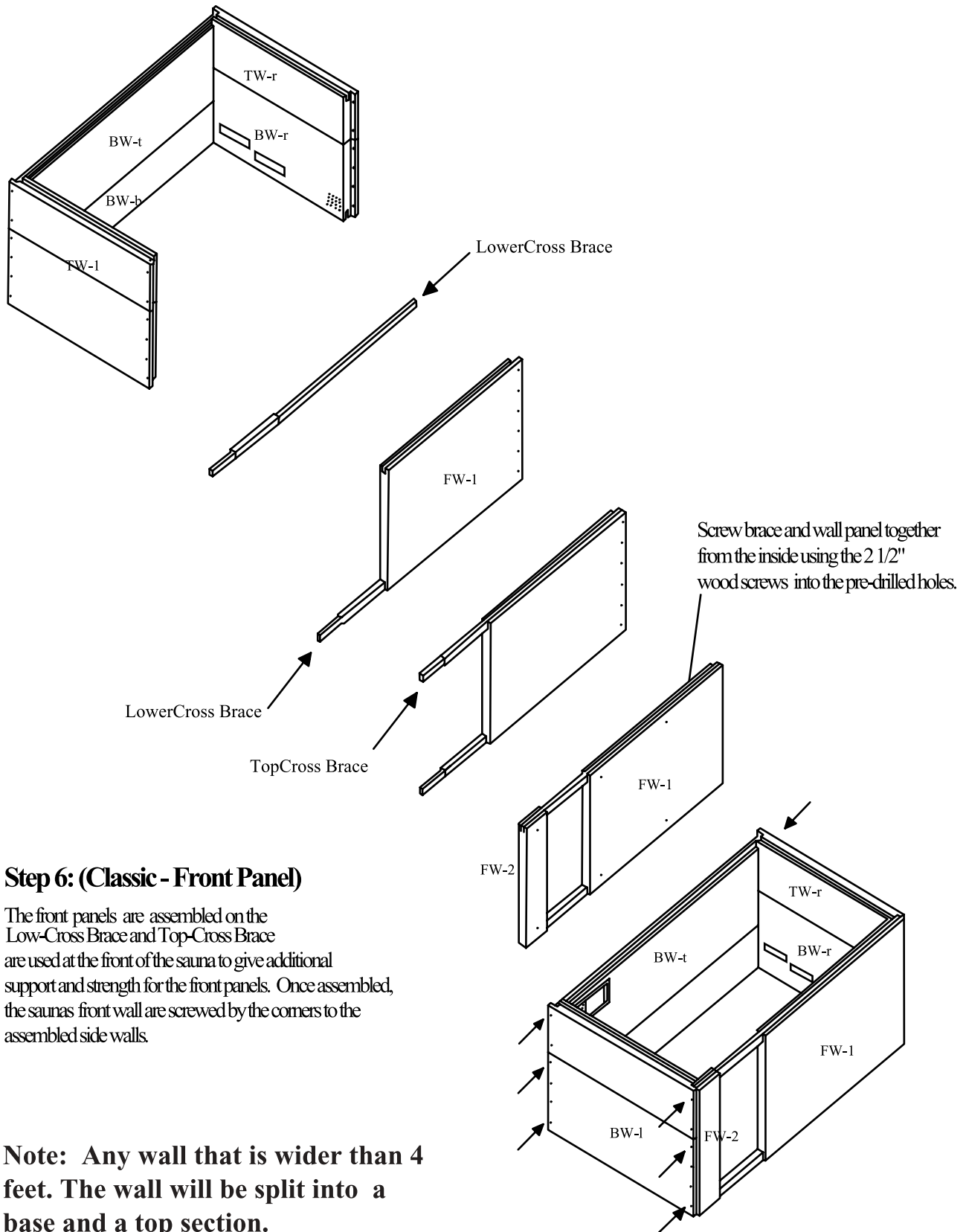
Place (TW-l) on top of the (BW-l) and fasten to (TW-b) using the jointer screw with alan key.



### Step 5:

Place the (TW-R) on top (BW-R) and joint to (BW-T) using jointer screw.

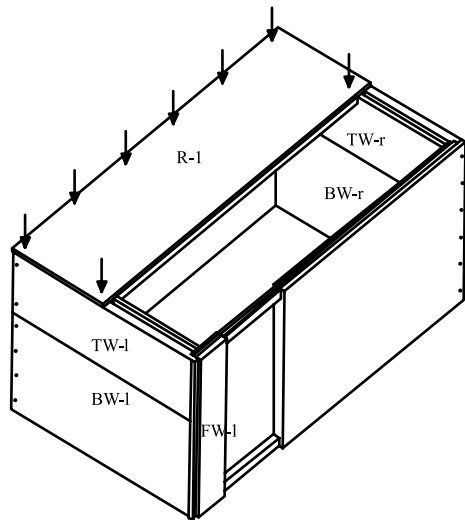




## Step 6: (Classic - Front Panel)

The front panels are assembled on the Low-Cross Brace and Top-Cross Brace are used at the front of the sauna to give additional support and strength for the front panels. Once assembled, the saunas front wall are screwed by the corners to the assembled side walls.

**Note:** Any wall that is wider than 4 feet. The wall will be split into a base and a top section.

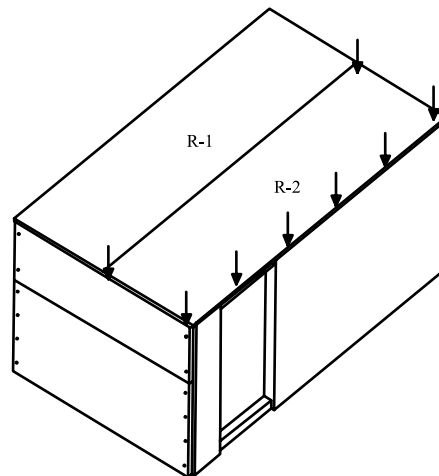


## Step 7a:

Once the assembly of the walls have been completed, the sauna is now prepared to add the roof. Once again, the size and proportion of the roof is dependent of th model purchase. Most saunas will have 2 roof panels which rest upon the walls. For safety concerns, it is highly recommended that at least two people act together to install the roof on the erected walls. Place the first roof panel (R1) on the rear wall and adjacent walls. Fasten roof, in the pre-drilled holes.

## Step 7b:

Position the second roof (R2) along the first roof panel (R1). Slide the panel into position and align the predrilled holes. Once aligned, screw the second roof panel to the walls below using a 2 1/2" wood screws.

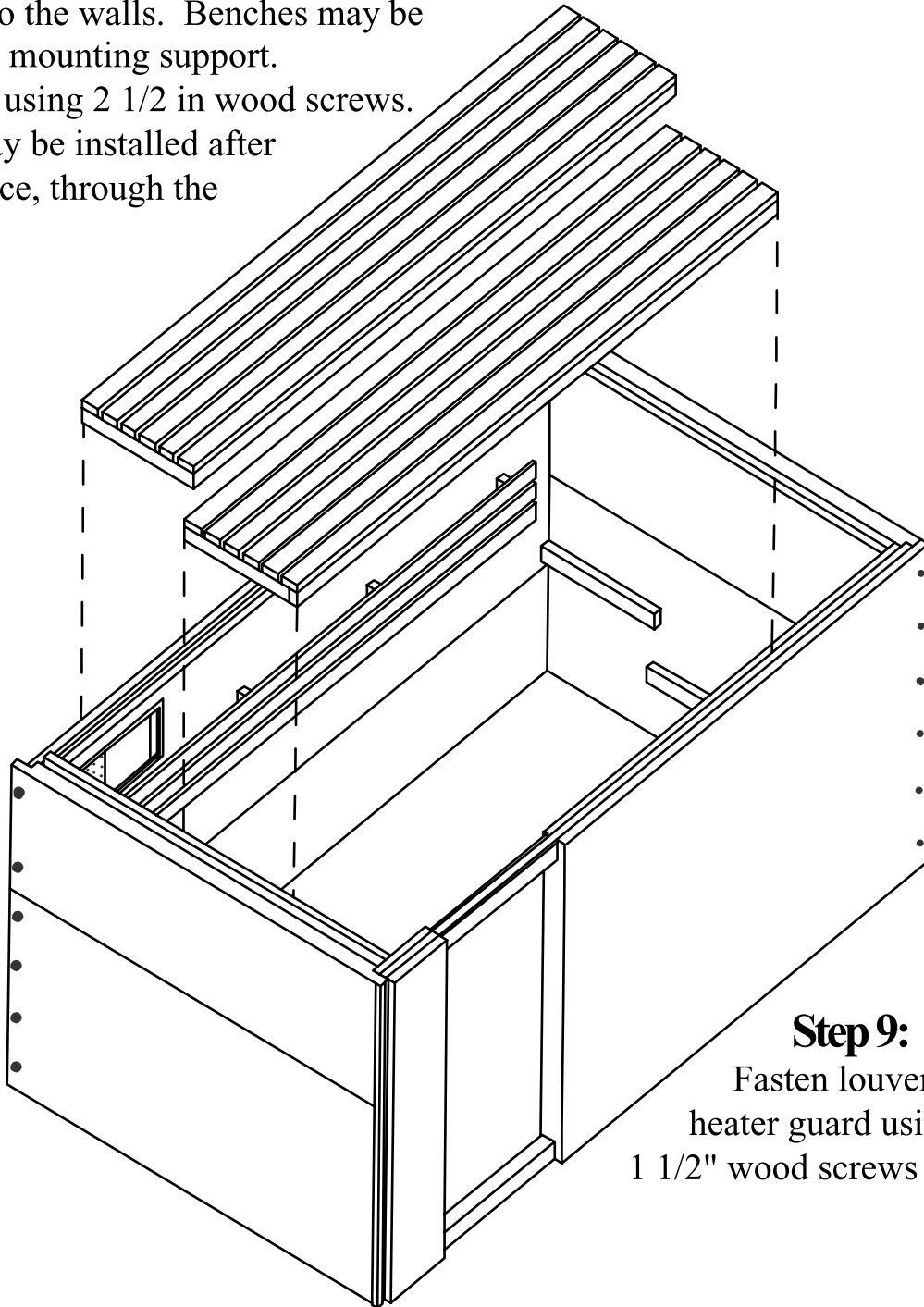


## Step 8:

Once the roof has been installed, screw the Backrest onto the walls. Benches may be rested on the mounting support.

Screw down using 2 1/2 in wood screws.

(Benches may be installed after roof is in place, through the door way.)



## Step 9:

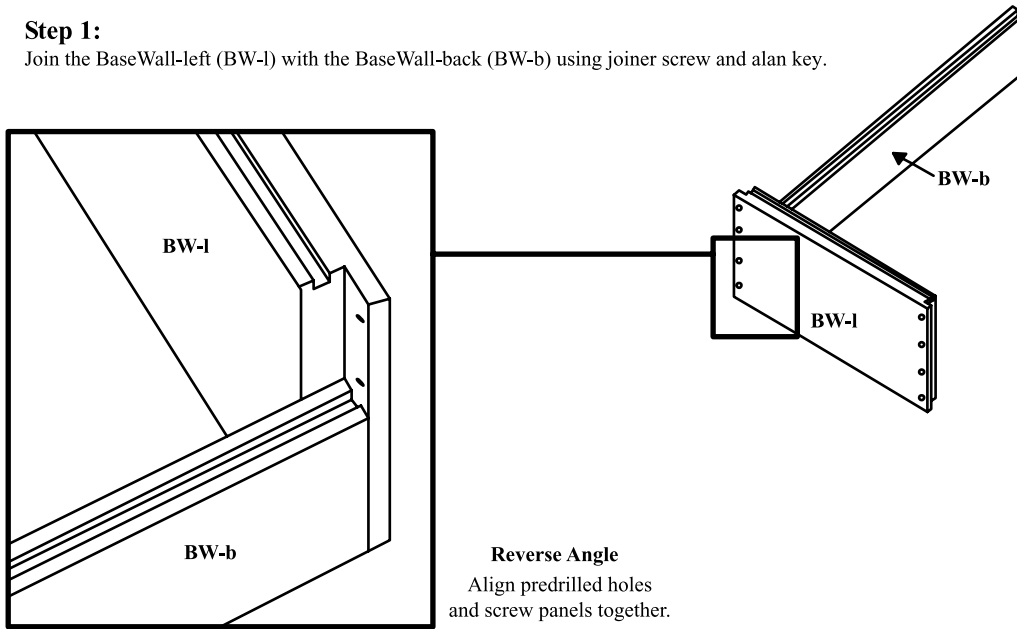
Fasten louver,  
heater guard using  
1 1/2" wood screws

# Modular Bay Installation Instructions

SAUNACORE

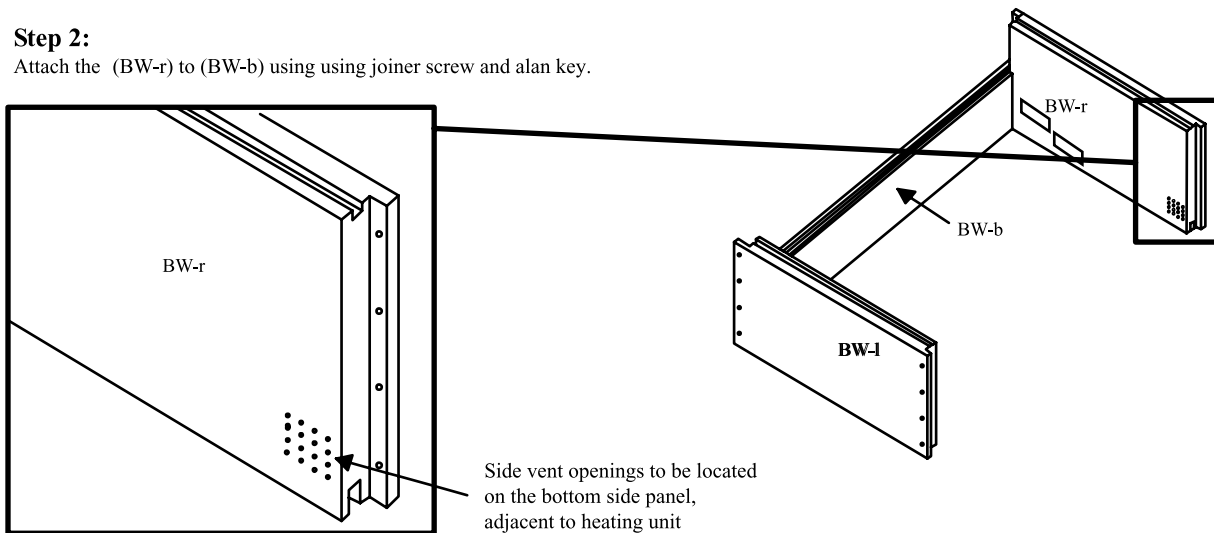
## Step 1:

Join the BaseWall-left (BW-l) with the BaseWall-back (BW-b) using joiner screw and alan key.



## Step 2:

Attach the (BW-r) to (BW-b) using using joiner screw and alan key.



**Note: If any wall width is 4 feet or less. That wall will be a one piece partition**

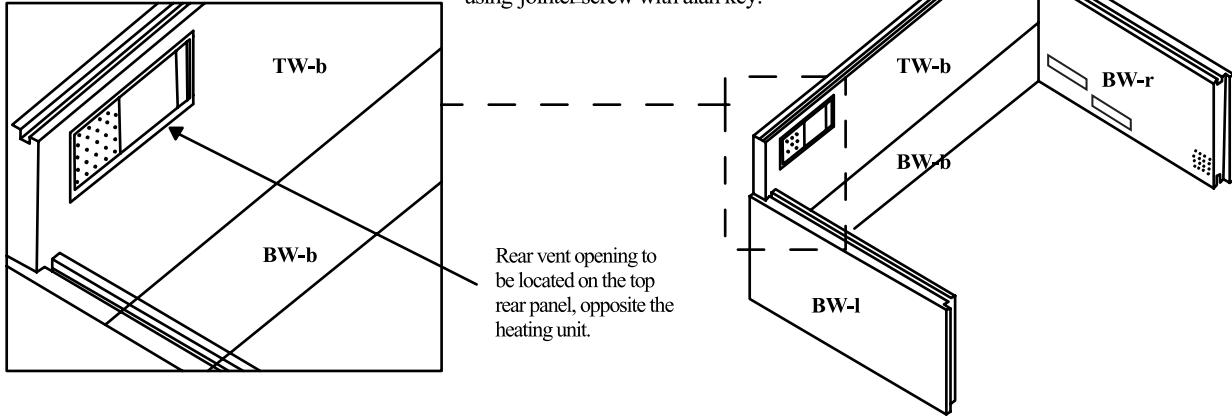
Base Wall -Left	BW-l	Top Wall -Left	TW-l	Front Wall	-FW
Base Wall -Back	BW-b	Top Wall -Back	TW-b	Roof	-R
Base Wall -Right	BW-r	Top Wall -Right	TW-r	Lower cross brace	-LCB
				Top cross brace	-TCB

# Modular Bay Installation Instructions

SAUNACORE

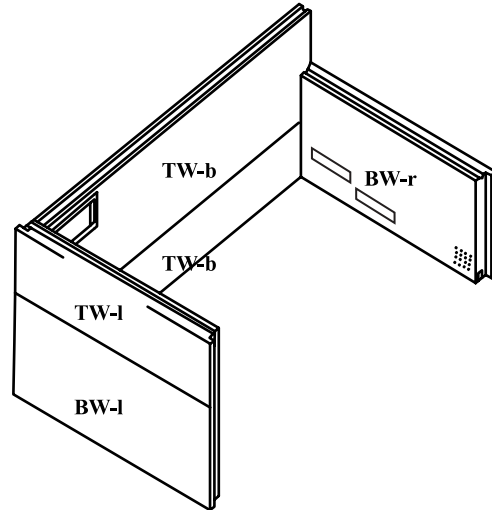
## Step 3:

Place the (TW-b) on top of the (BW-b) joint to base wall-l and base Wall-R using jointer screw with alan key.



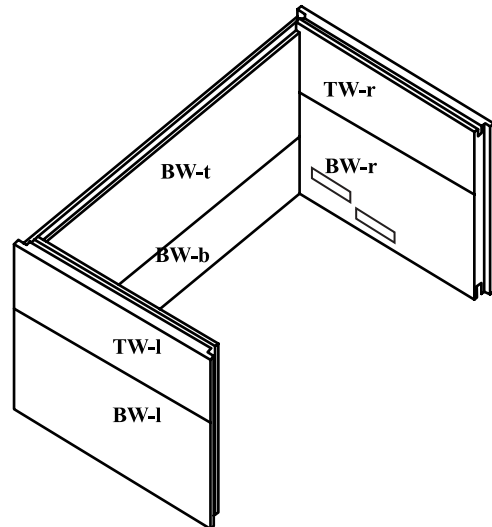
## Step 4:

Place (TW-l) on top of the (BW-l) and fasten to (TW-b) using the jointer screw with alan key.



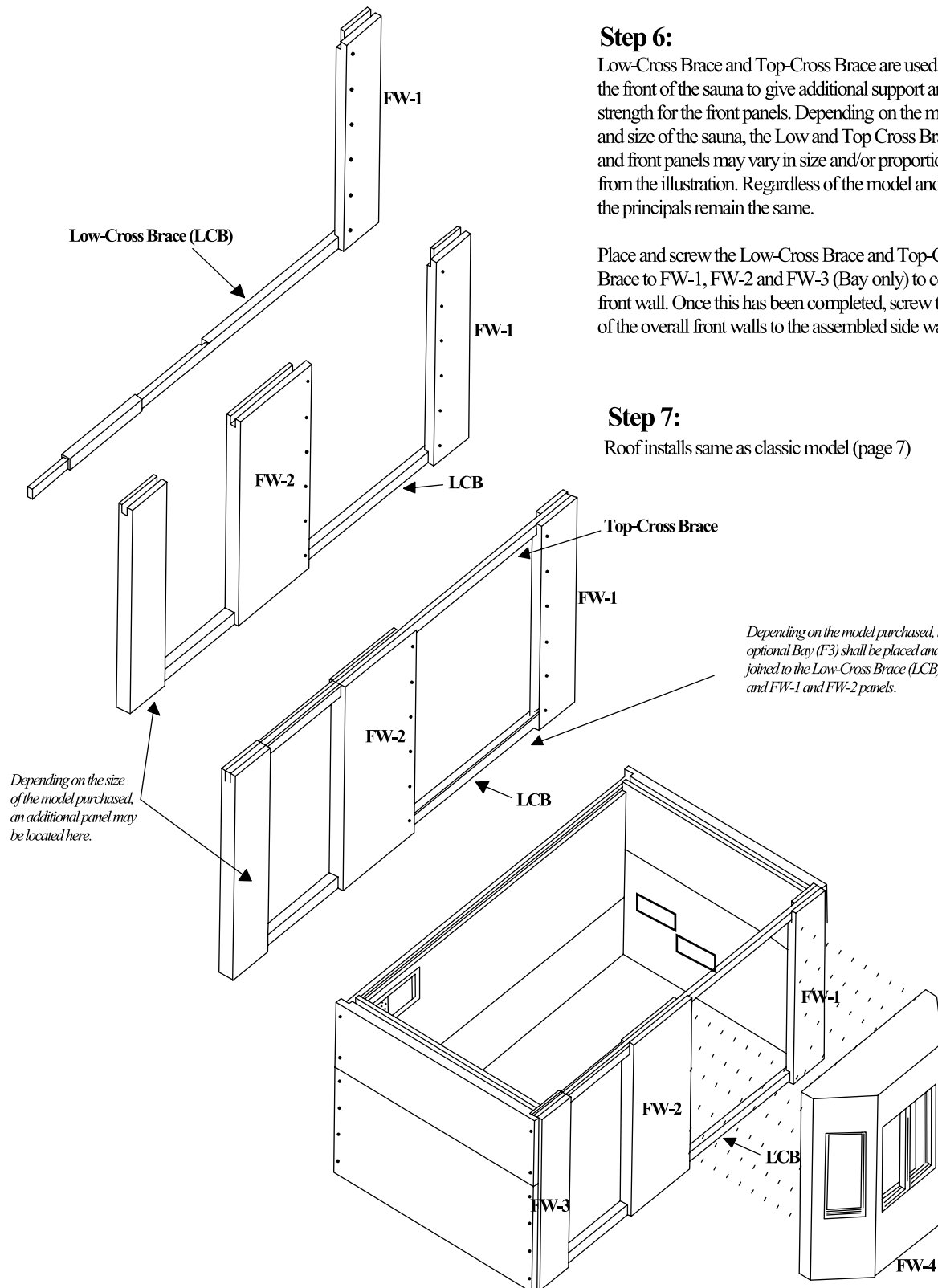
## Step 5:

Place the (TW-r) on top (BW-r) and joint to (BW-t) using jointer screw.



# Modular Bay Installation Instructions

SAUNACORE



## Step 6:

Low-Cross Brace and Top-Cross Brace are used at the front of the sauna to give additional support and strength for the front panels. Depending on the model and size of the sauna, the Low and Top Cross Brace and front panels may vary in size and/or proportion from the illustration. Regardless of the model and size, the principals remain the same.

Place and screw the Low-Cross Brace and Top-Cross Brace to FW-1, FW-2 and FW-3 (Bay only) to complete front wall. Once this has been completed, screw the corners of the overall front walls to the assembled side walls.

## Step 7:

Roof installs same as classic model (page 7)

*Depending on the model purchased, the optional Bay (F3) shall be placed and joined to the Low-Cross Brace (LCB) and FW-1 and FW-2 panels.*

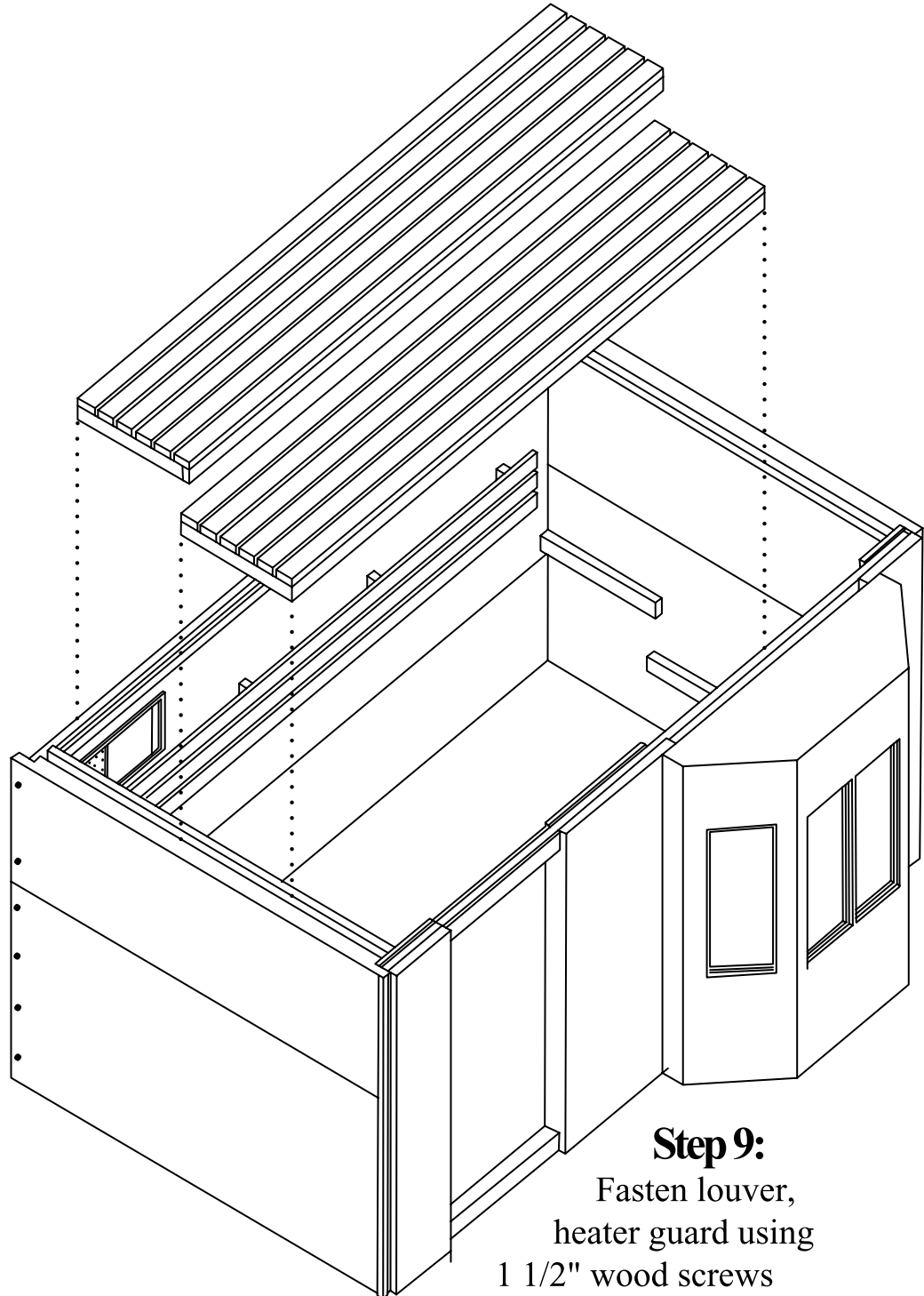
*Depending on the size of the model purchased, an additional panel may be located here.*

# Modular Bay Installation Instructions

SAUNACORE

## Step 8:

Once the roof has been installed, screw the Backrest onto the walls. Benches may then be rested on the mounting support and fastened down with 2 1/2" wood screws.



## Step 9:

Fasten louver,  
heater guard using  
1 1/2" wood screws