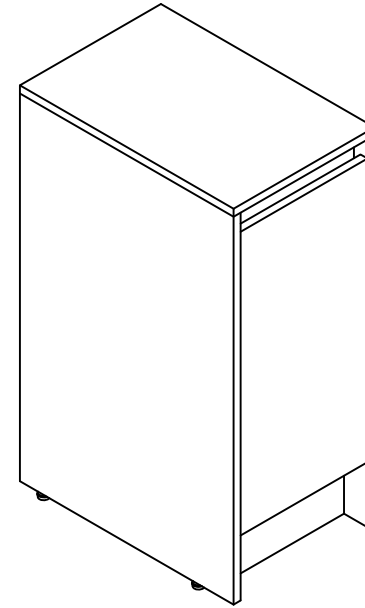


## THANKS FOR WATCHING

Your feedback is invaluable to us and we would love to hear about your experience. Please take the time to leave us a review.



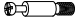








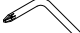


## Thank you for shopping with us!

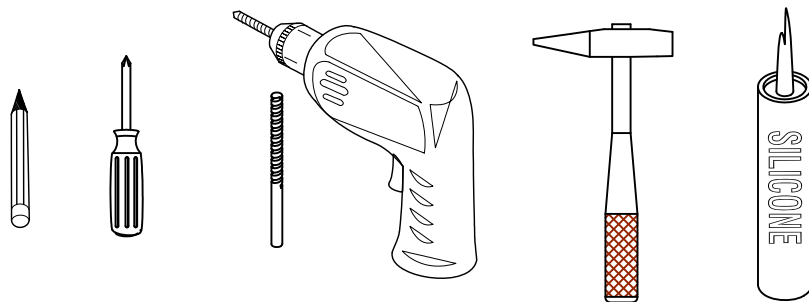
We encourage you to take a few minutes to go through this booklet. It contains important information on installation and care tips to keep your furniture looking as good as new.

# Item NO.:SC 00312

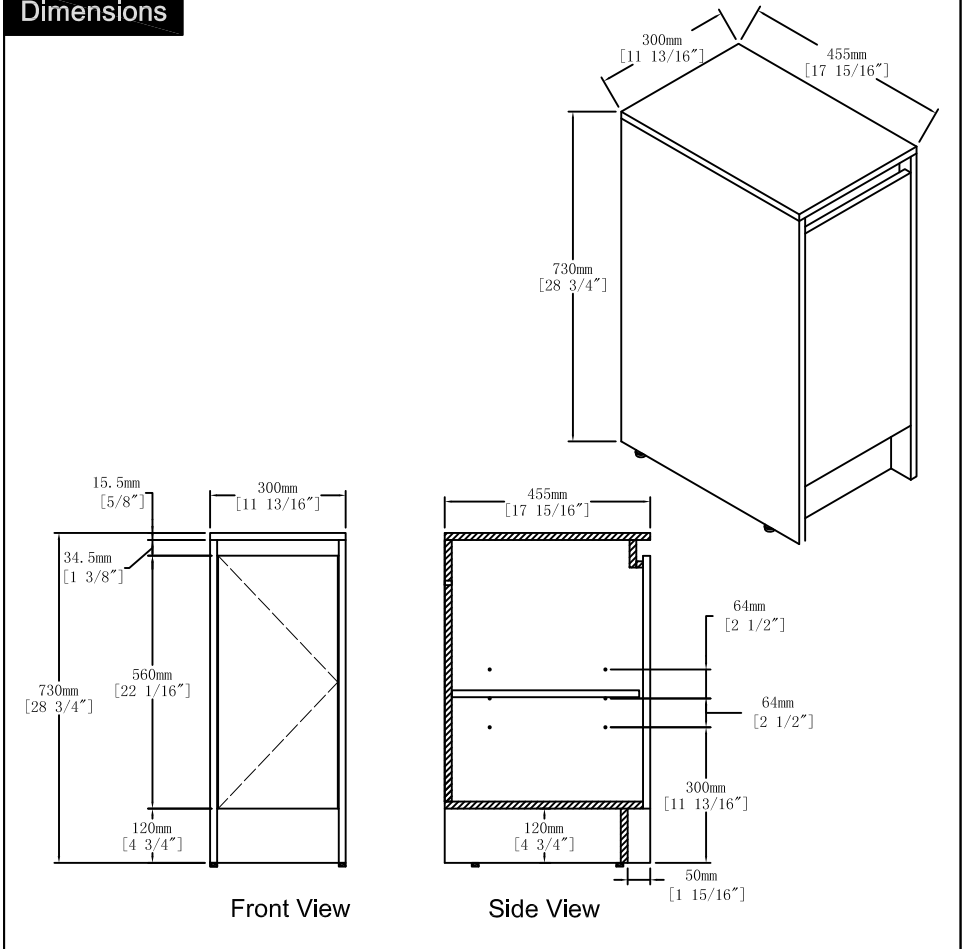
## Hardware

NO.	Draw	QTY	NO.	Draw	QTY
A	 Screws Ø4 x 14 mm	12	G	 Screws for fix on the wall	2
B	 Two-in-one connector	24	H	 Wall hanging screw decorative cover	2
C	 Two-in-one connector	24	I	 Adjustable feet	4
D	 Wood plug	6	J	 Movable laminate support	4
E	 Plastic anchor(Ø10mm)	2	K	 Anti-collision gasket	2
F	 Hinges ( Internal hiding)	2	L	 Screwdriver	1

## Recommended tools

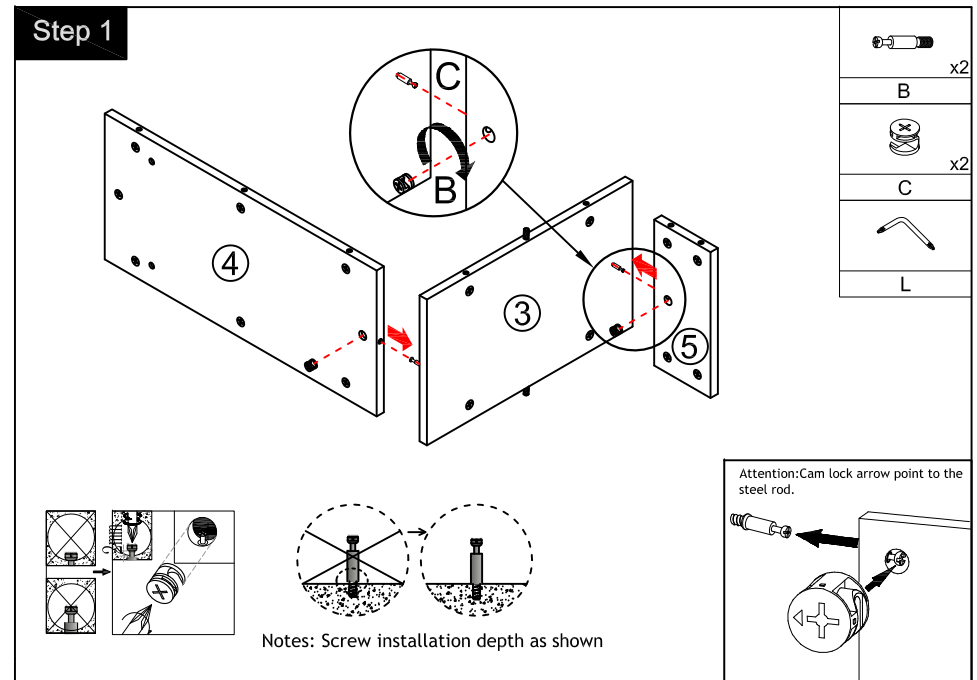
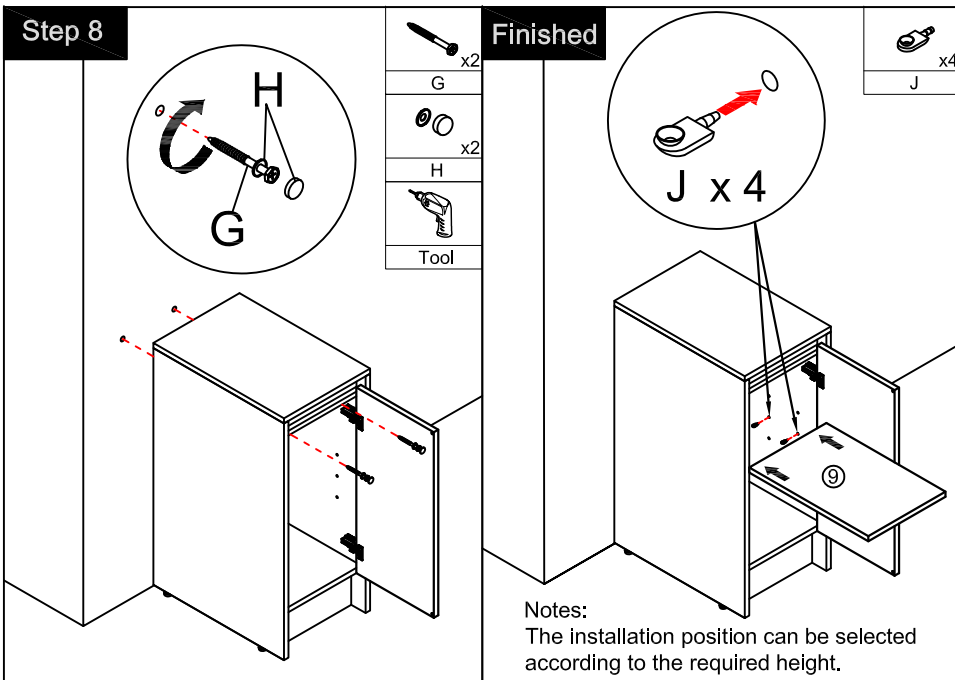
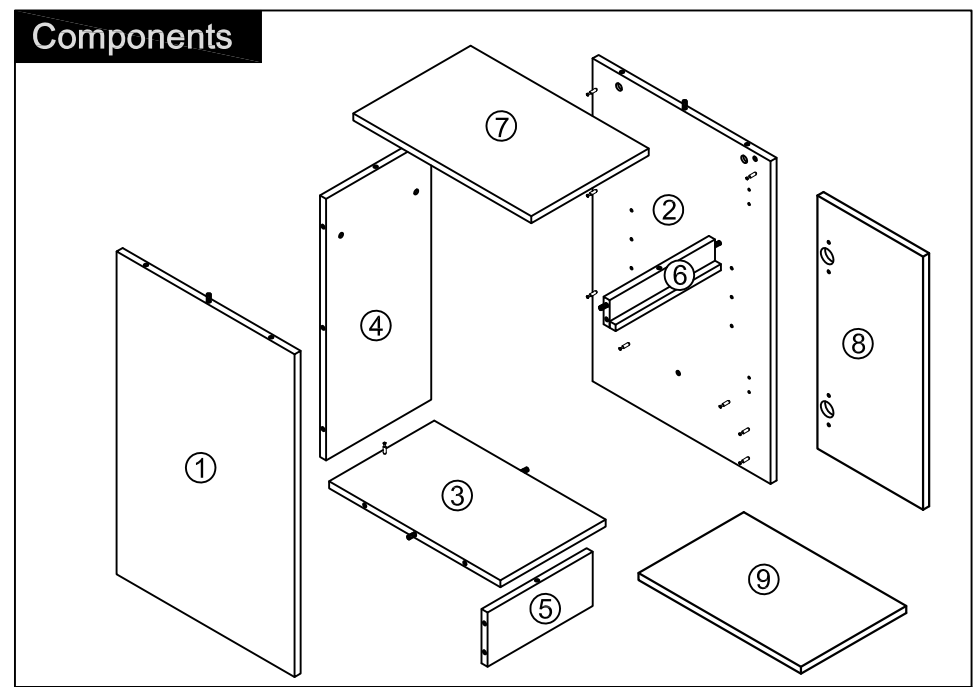
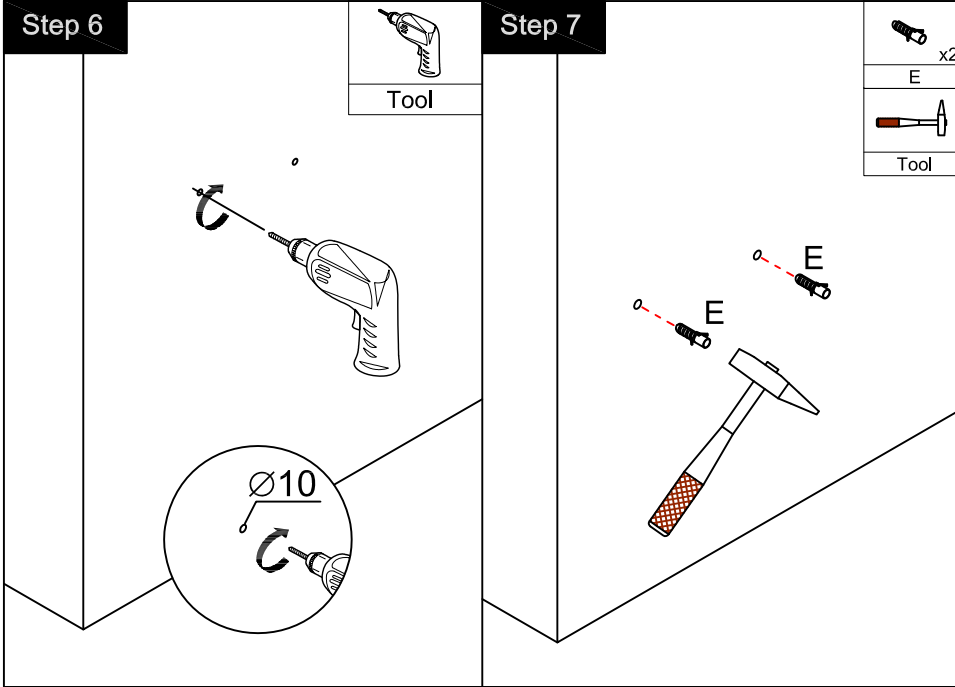


## Dimensions



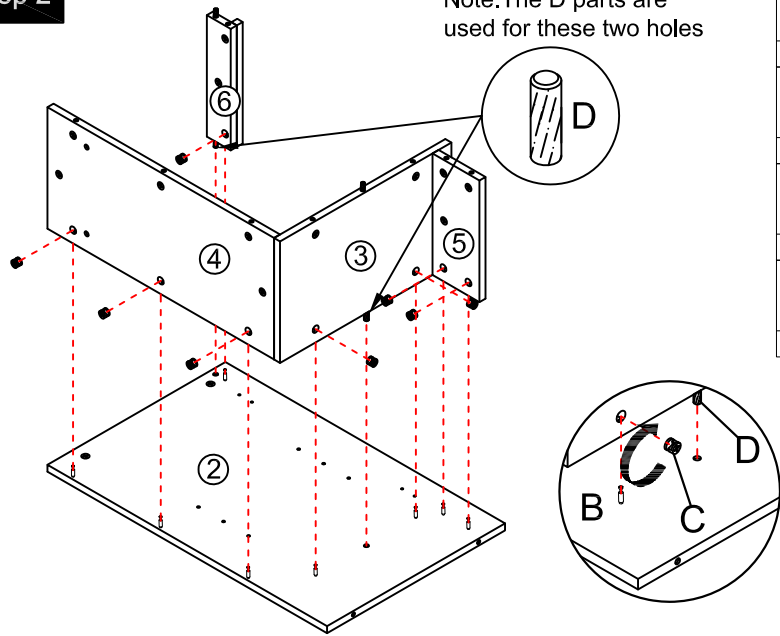
## CARE CLEANING AND MAINTENANCE

1. Dust regularly with a soft , dry cloth.
2. Avoid the use of all chemicals household cleaners, abrasives, or cleaners that contain lemon, vinegar, or other acids that may damage the finish.
3. Excessive exposure to sunlight and extreme changes in temperature and moisture can damage wood furniture.
4. Do not place hot appliances, such as curling irons and hot hair dryers directly on the countertop. Wipe spills immediately.



### Step 2

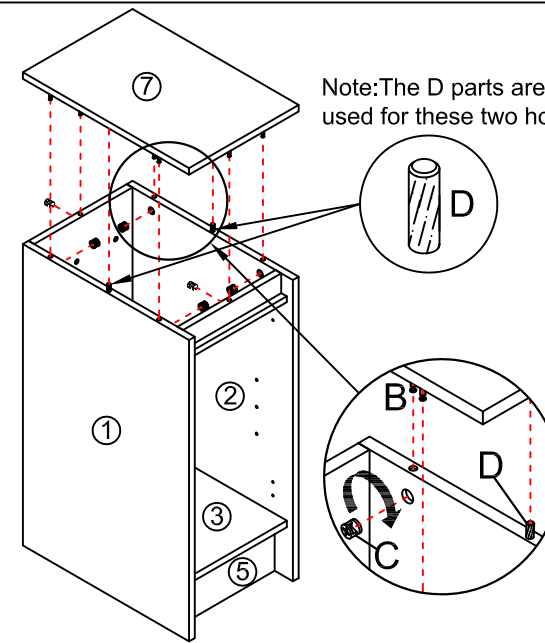
Note: The D parts are used for these two holes



	x8
B	
	x8
C	
	x2
D	
L	

### Step 4

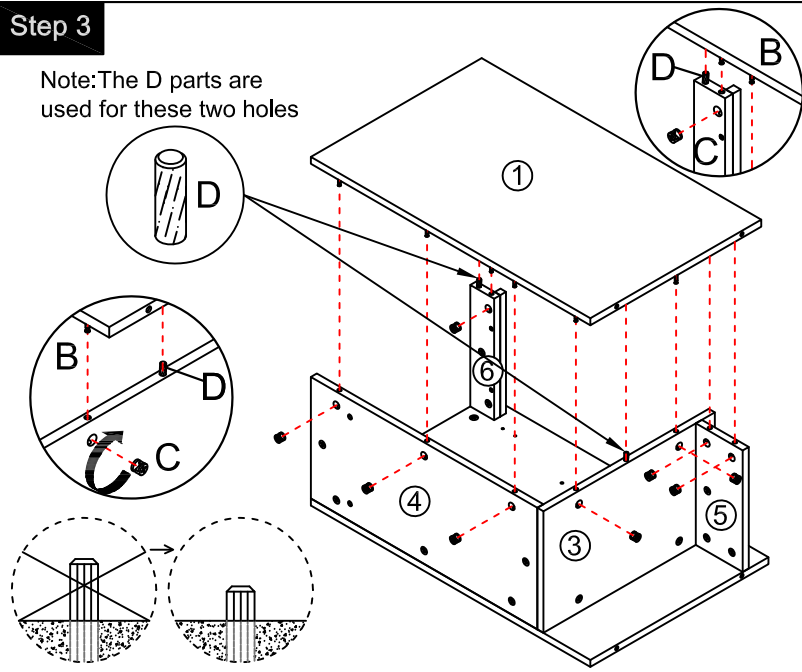
Note: The D parts are used for these two holes



	x6
B	
	x6
C	
	x2
D	
L	

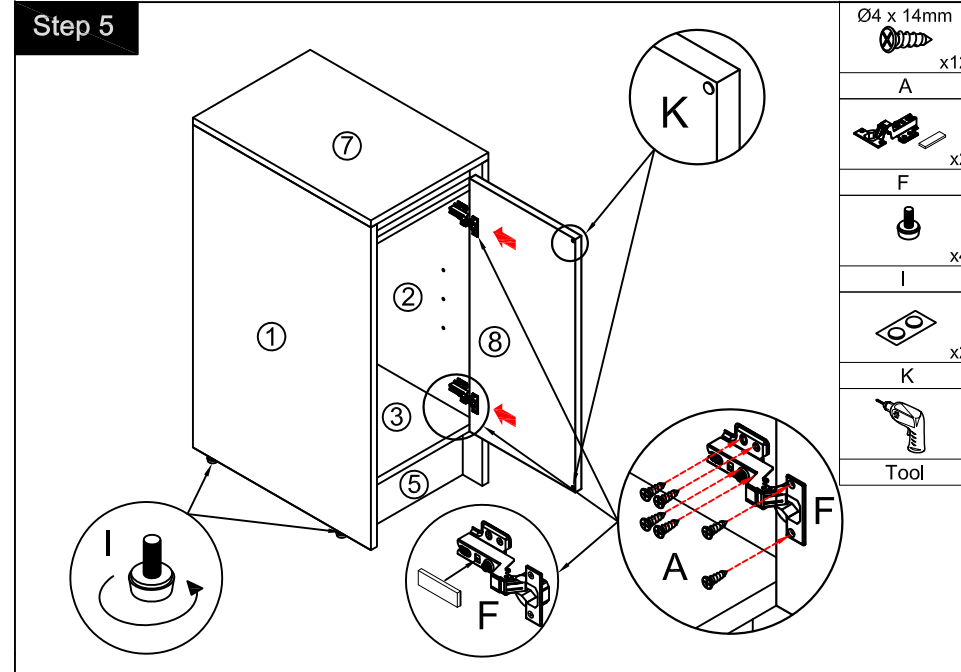
### Step 3

Note: The D parts are used for these two holes



	x8
B	
	x8
C	
	x2
D	
L	

### Step 5



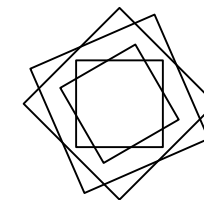
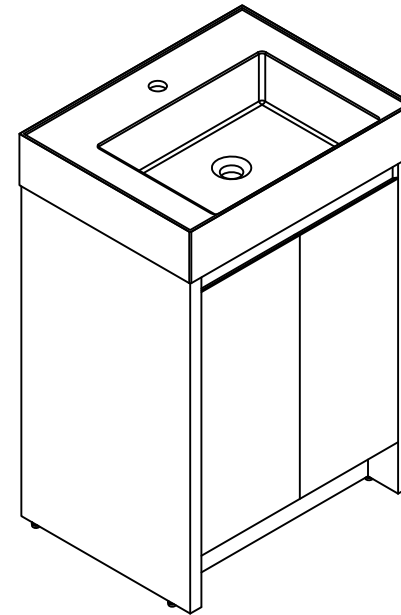
	Ø4 x 14mm
	x12
A	
	x2
F	
	x4
I	
	x2
K	
	Tool

Installation Manual- BV B03624  
BV B03630

MOTIVATE  
YOUR LIFE !

## THANKS FOR WATCHING

Your feedback is invaluable to us and we would love to hear about your experience. Please take the time to leave us a review.


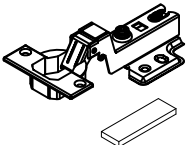




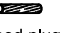

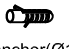

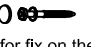




## Thank you for shopping with us!

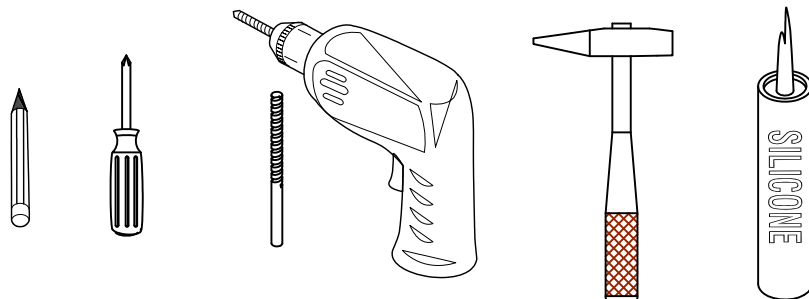
We encourage you to take a few minutes to go through this booklet. It contains important information on installation and care tips to keep your furniture looking as good as new.

# Item NO.:BV B03624 / BV B03630

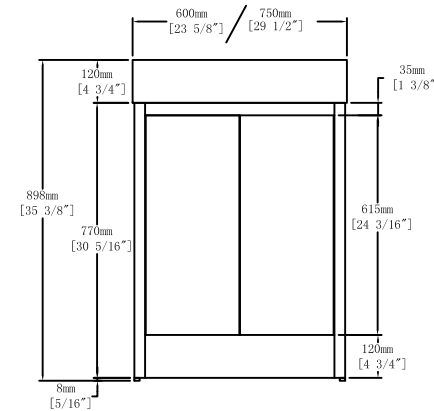
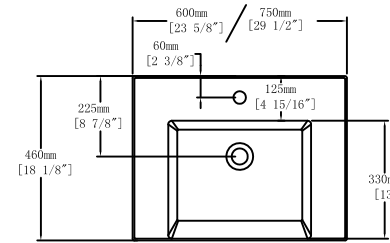
## Hardware

NO.	Draw	QTY	NO.	Draw	QTY
A	 Screws Ø4x14mm	44	I	 Hinges	4
B	 Two-in-one connector	24	J	 Anti-collision gasket	4
C	 Two-in-one connector	24	K	 Movable laminate support	4
D	 Wood plug	4	L	 Adjustable feet	4
E	 Plastic anchor(Ø10mm)	2	M	 Screwdriver	1
F	 Screws for fix on the wall	2			
G	 Bracket (53x70x44mm)	2			
H	 Bracket (19x19x35mm)	2			

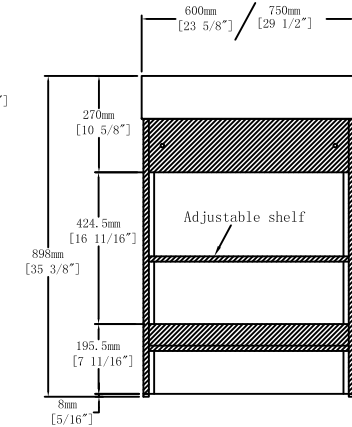
## Recommended tools



## Dimensions



Front View

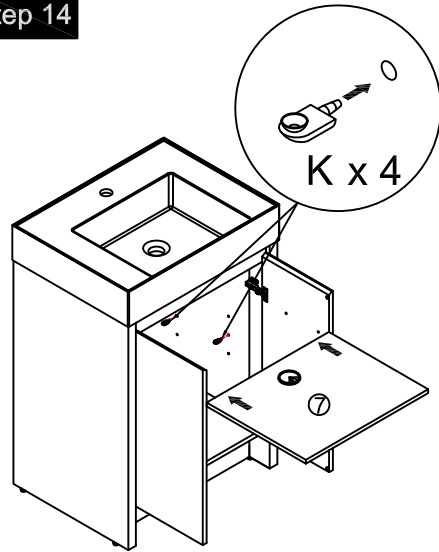


Back View

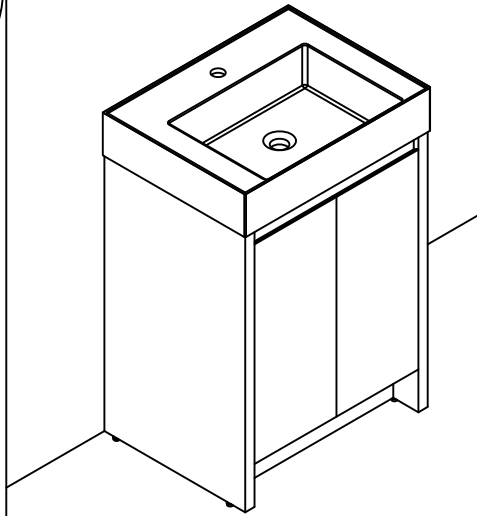
## CARE CLEANING AND MAINTENANCE

1. Dust regularly with a soft , dry cloth.
2. Avoid the use of all chemicals household cleaners, abrasives, or cleaners that contain lemon, vinegar, or other acids that may damage the finish.
3. Excessive exposure to sunlight and extreme changes in temperature and moisture can damage wood furniture.
4. The sink top is resilient, but care needs to be taken to preserve its appearance.
5. Do not place hot appliances, such as curling irons and hot hair dryers directly on the countertop. Wipe spills immediately.

### Step 14

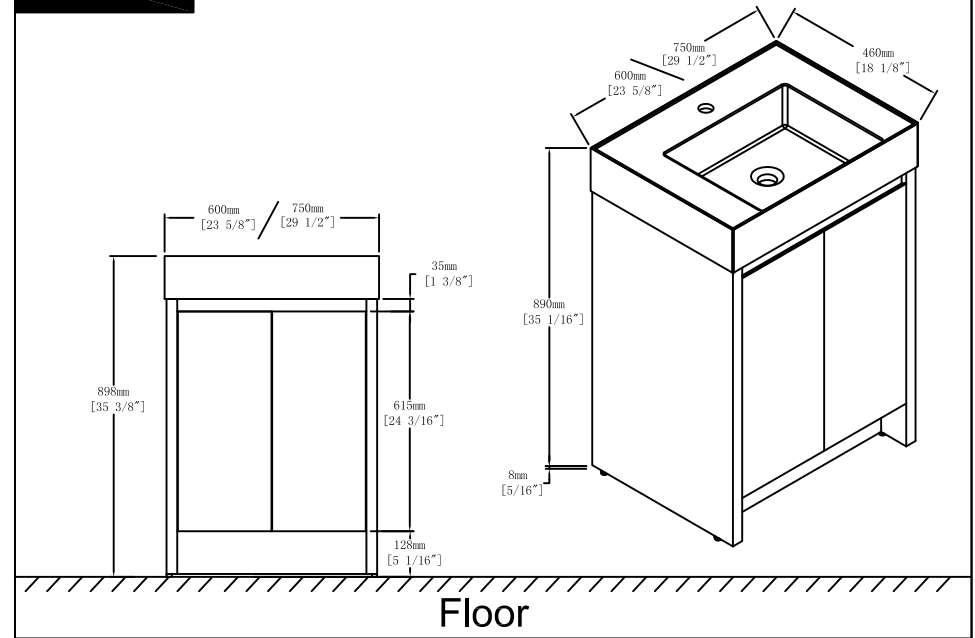


### Finished

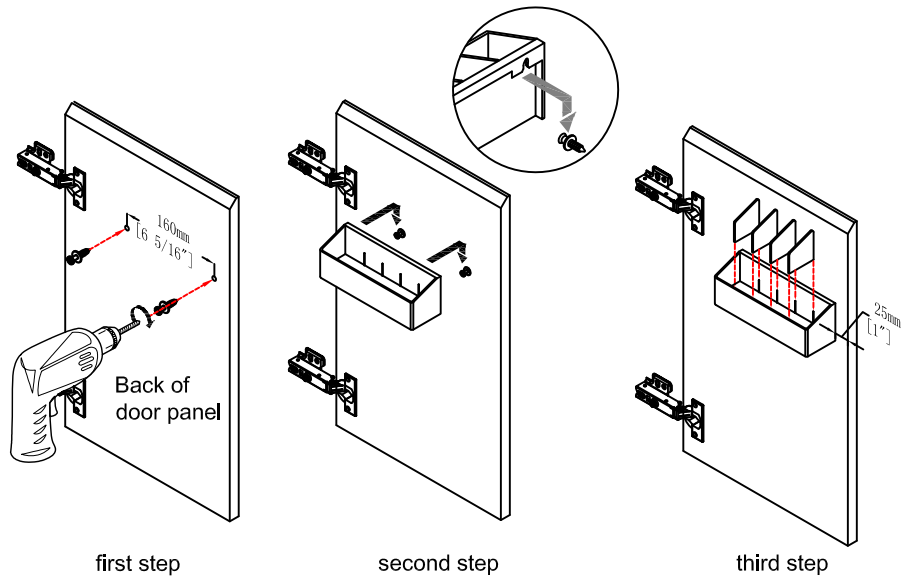


Notes:  
The installation position can be selected according to the required height.

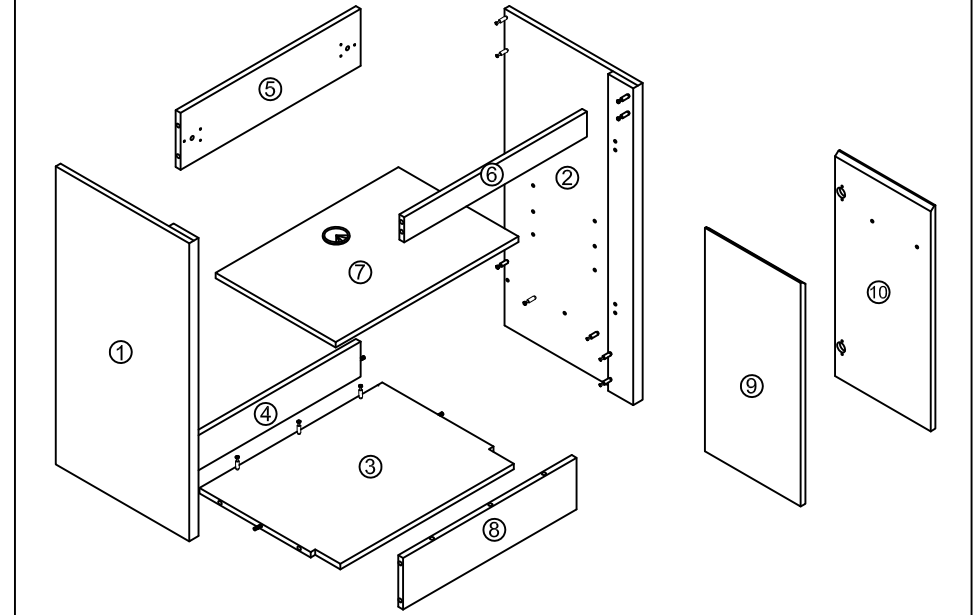
### Dimensions



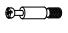

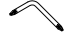
### Procedure for installing the plastic box

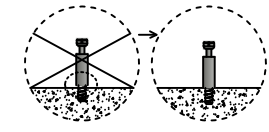
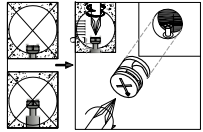
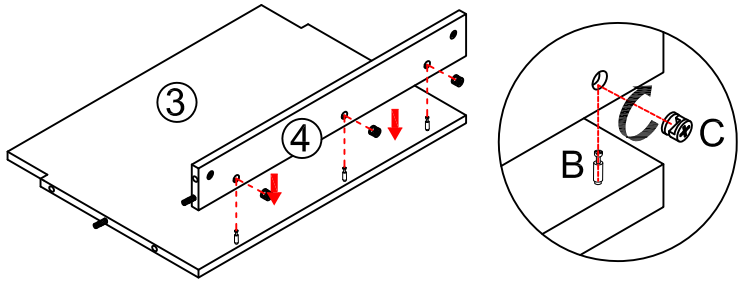


### Components



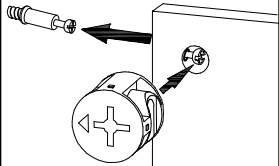
### Step 1

-  x3
-  x3
-  x1

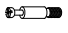




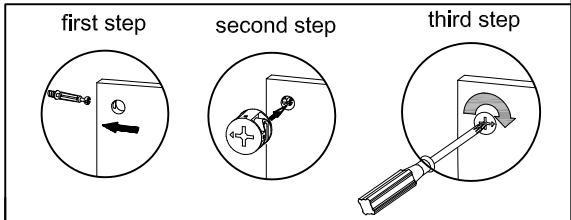
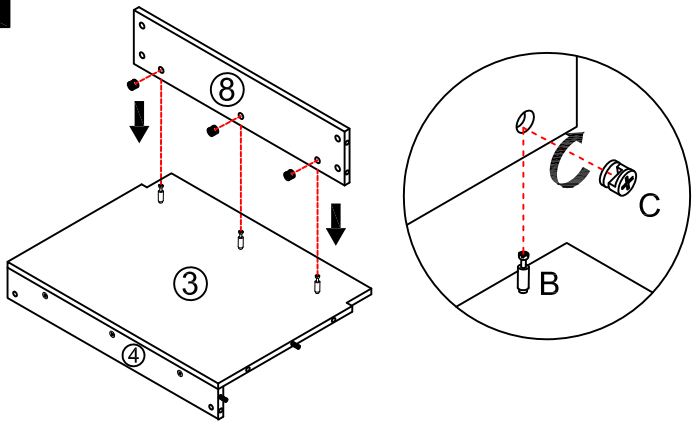
Notes: Screw installation depth as shown

Attention: The lock handle arrow points to the side face.

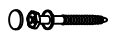



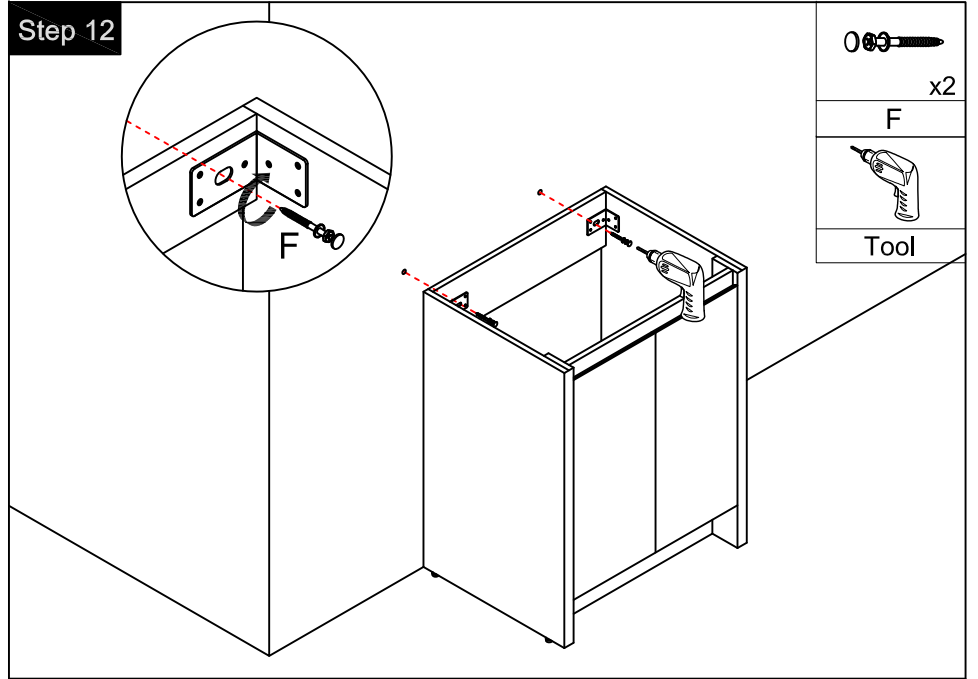
### Step 2

-  x3
-  x3
-  x1

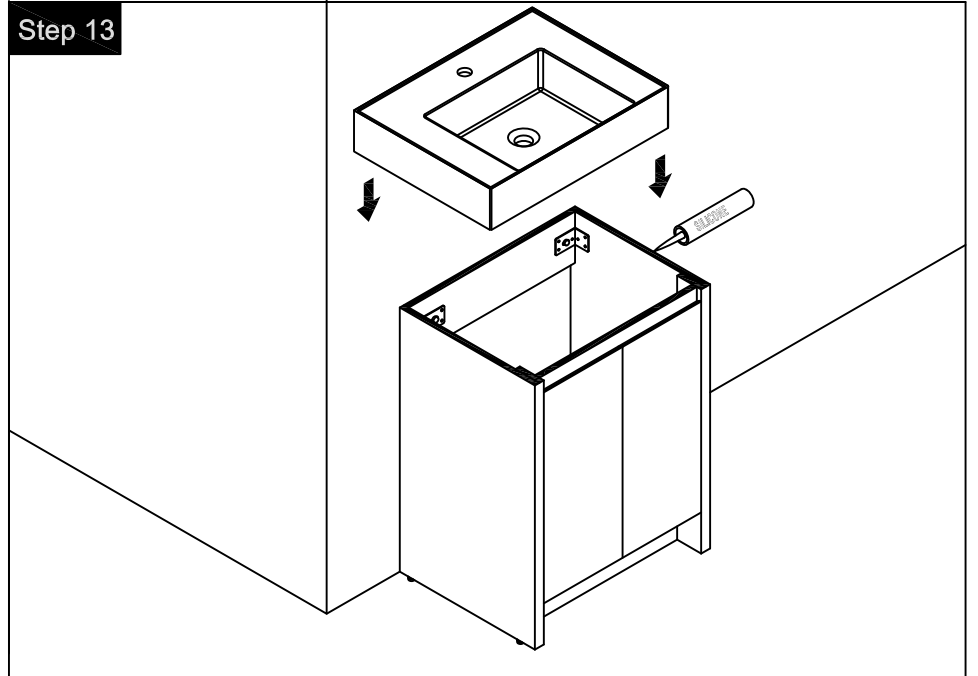


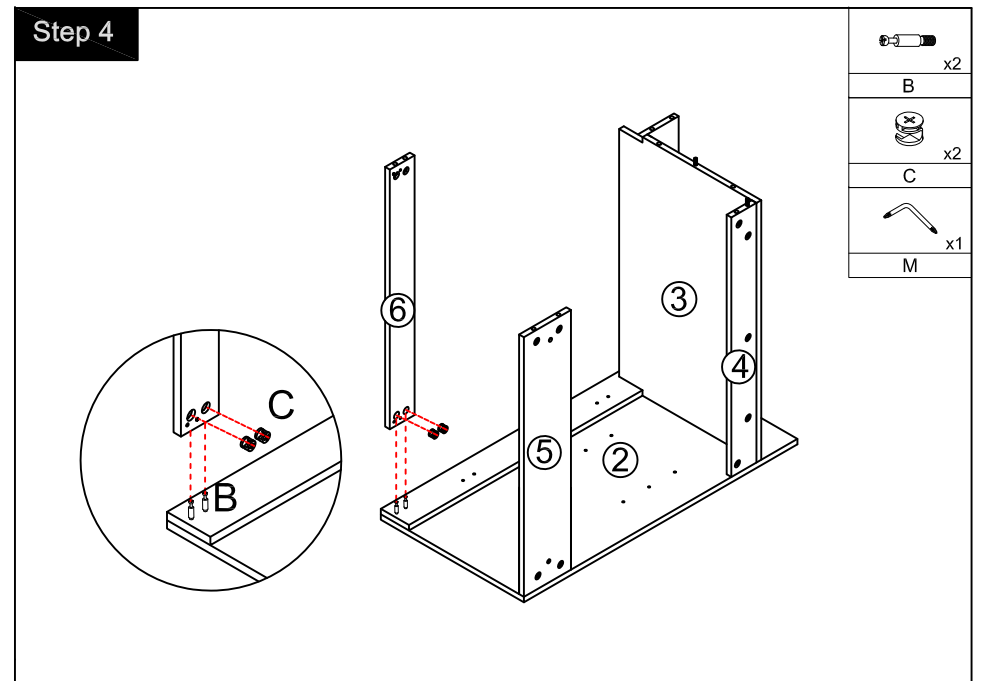
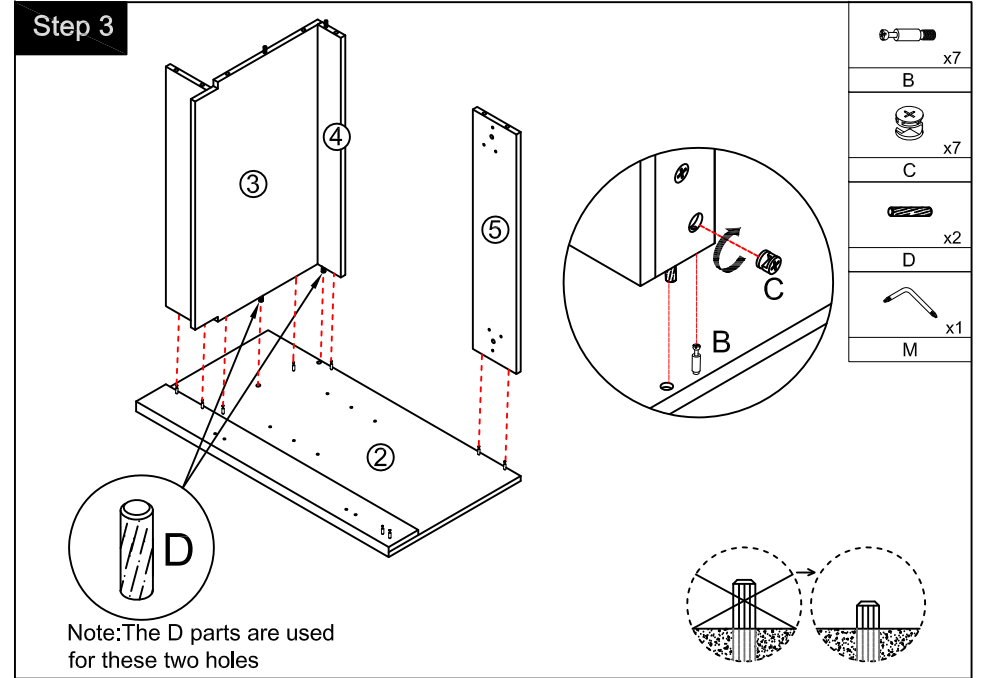
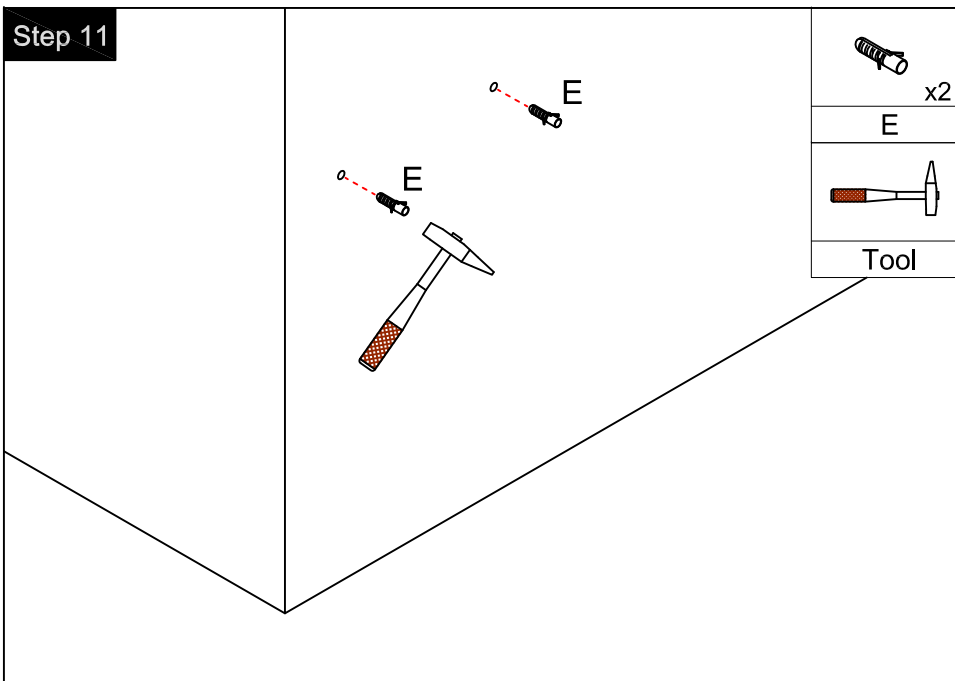
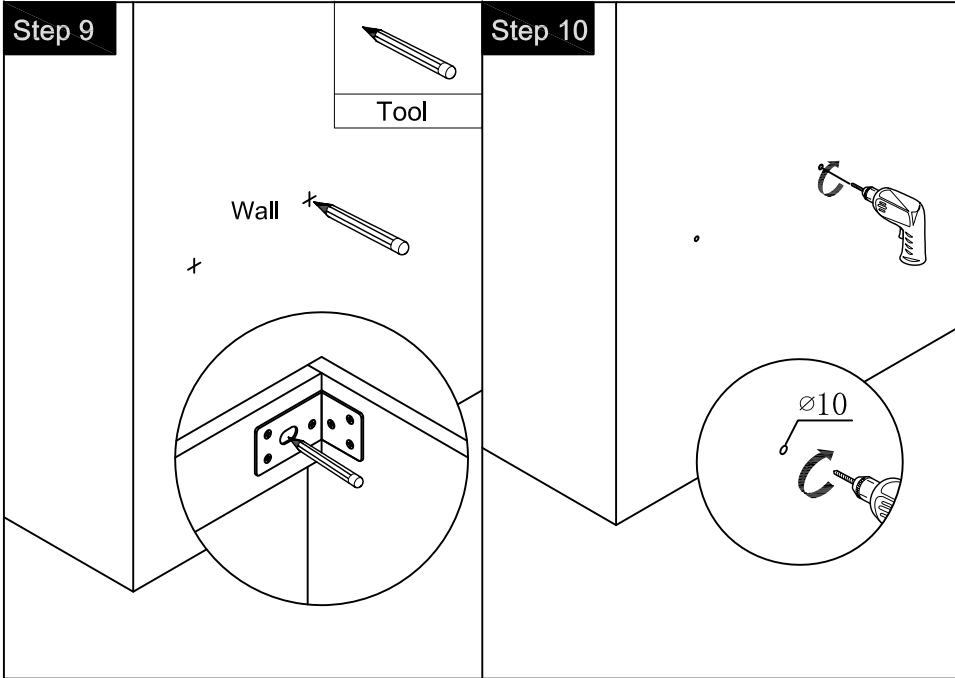
### Step 12

-  x2
-  Tool

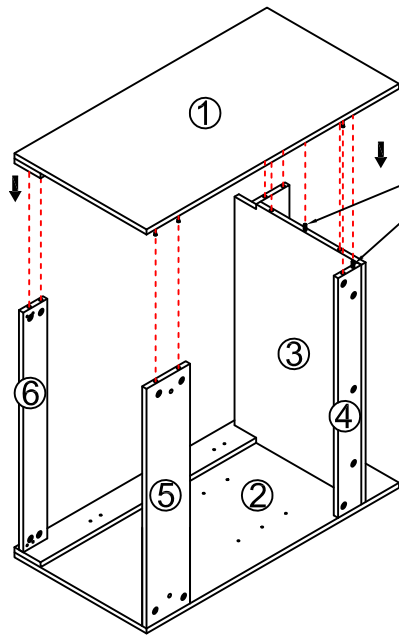


### Step 13

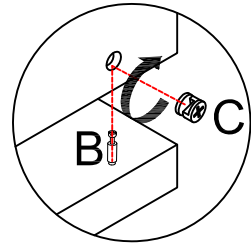




### Step 5

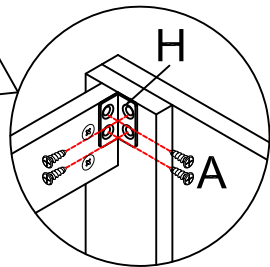
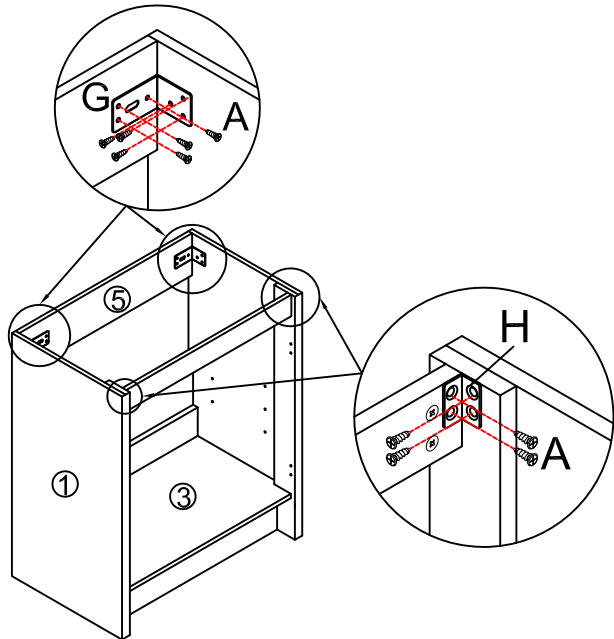


Note: The D parts are used for these two holes



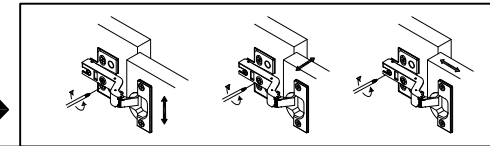
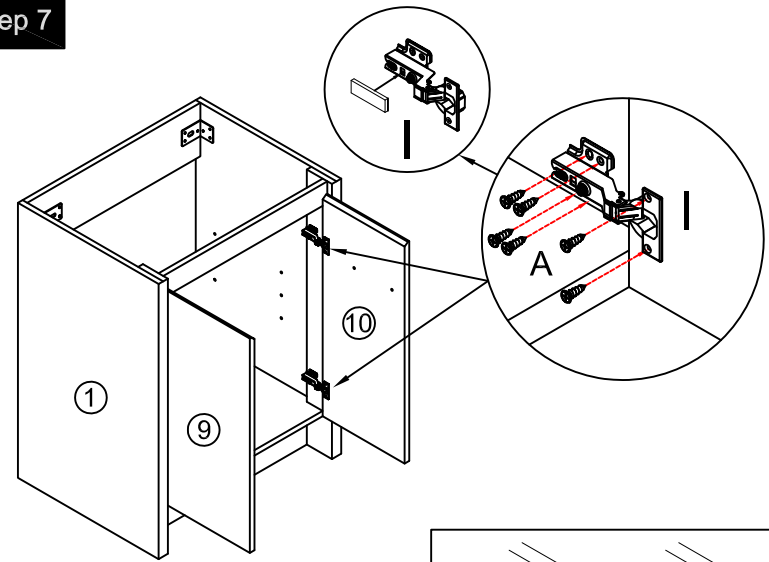
	x9
B	
	x9
C	
	x2
D	
	x1
M	

### Step 6



	x2
G	
	x2
H	
( $\varnothing 4 \times 14\text{mm}$ )	
	x20
A	
Tool	

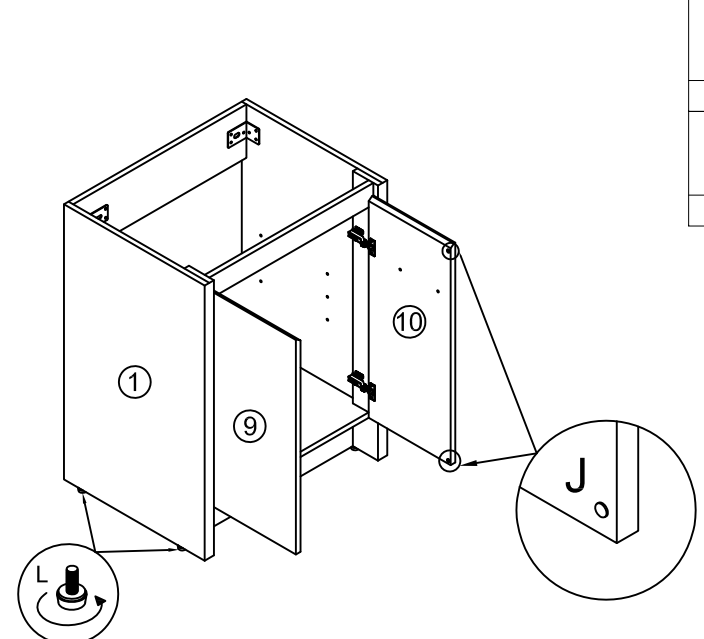
### Step 7



You can adjust the doors by tightening or loosening the screws on the hinge. →

	x4
I	
( $\varnothing 4 \times 14\text{mm}$ )	
	x24
A	
Tool	

### Step 8



Note: Install and adjust the level screws

	x4
J	
	x4
L	