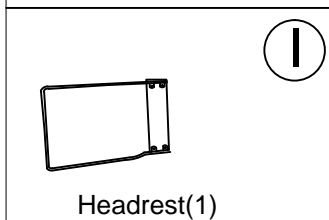
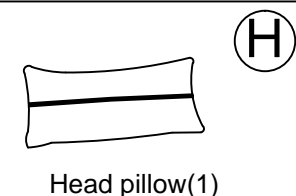
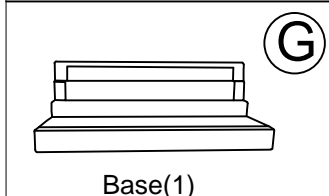
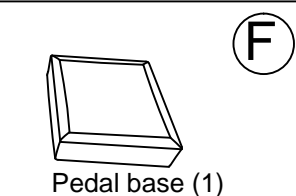
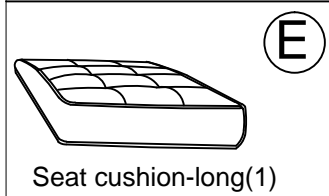
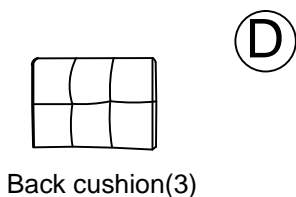
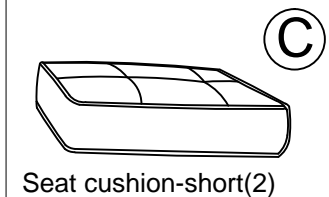
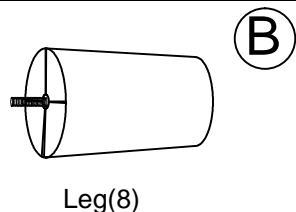
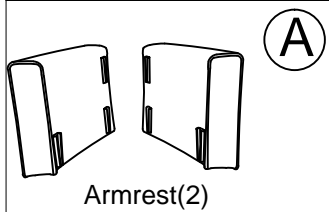
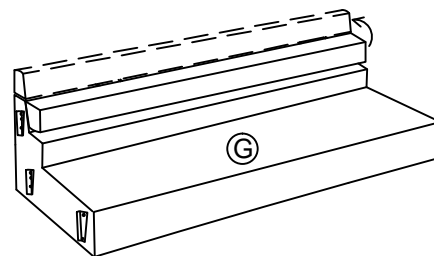


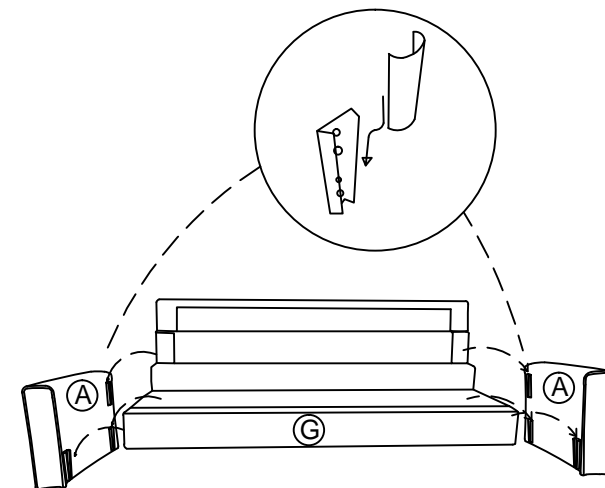
# Accessories List



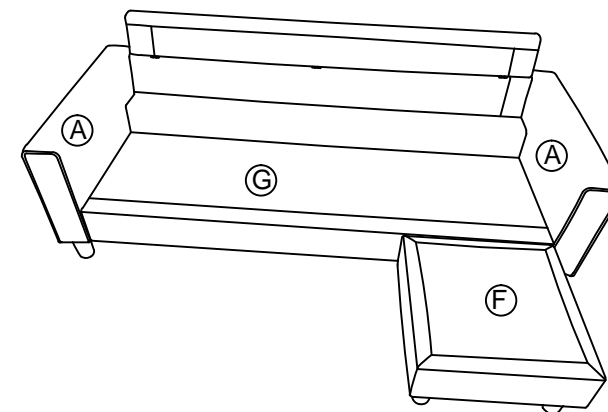
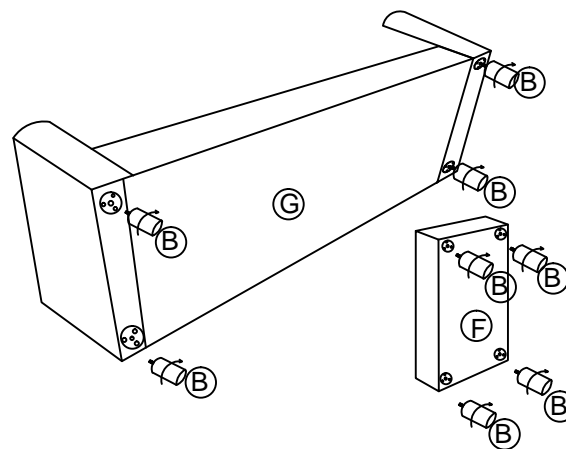
STEP1:Open the back as picture



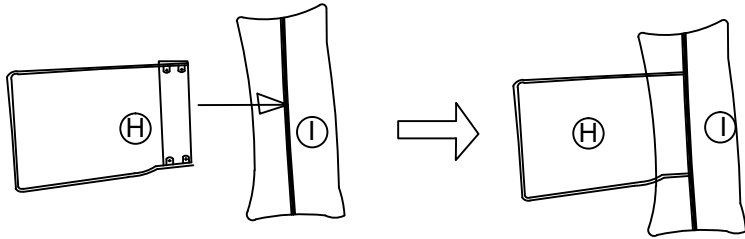
STEP2:Insert the seat, into the armrest.



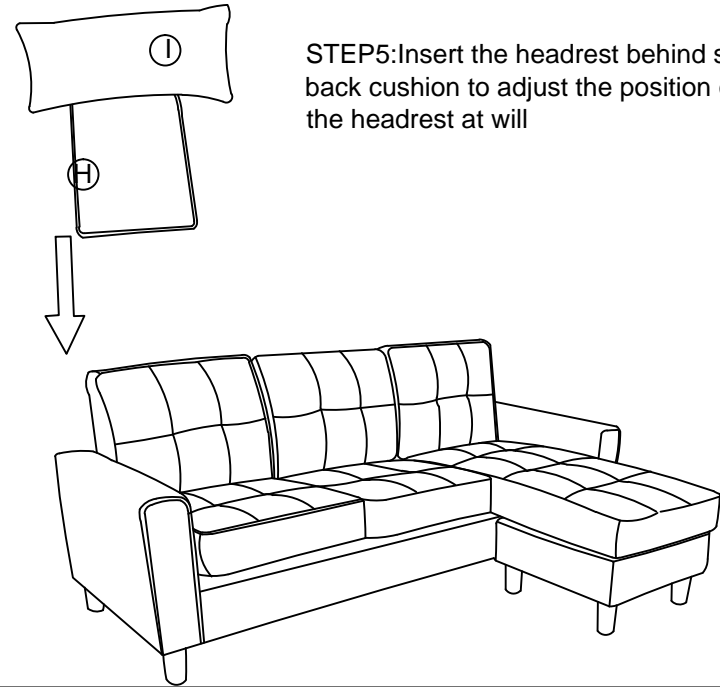
STEP3:Put the sofa down and put the feet of the sofa clockwise



STEP4: Insert headrest into headpillow



STEP5: Insert the headrest behind sofa back cushion to adjust the position of the headrest at will



Complete

