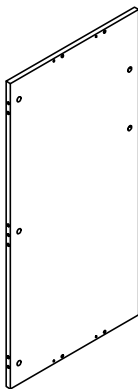


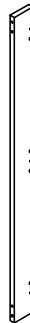
Installation & Assembly



Ax2



Bx2



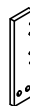
Cx2



Dx1



Ex2



Fx2



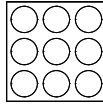
Gx30



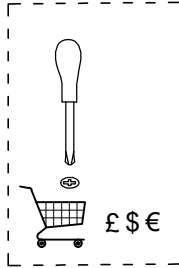
Hx38



Ix38



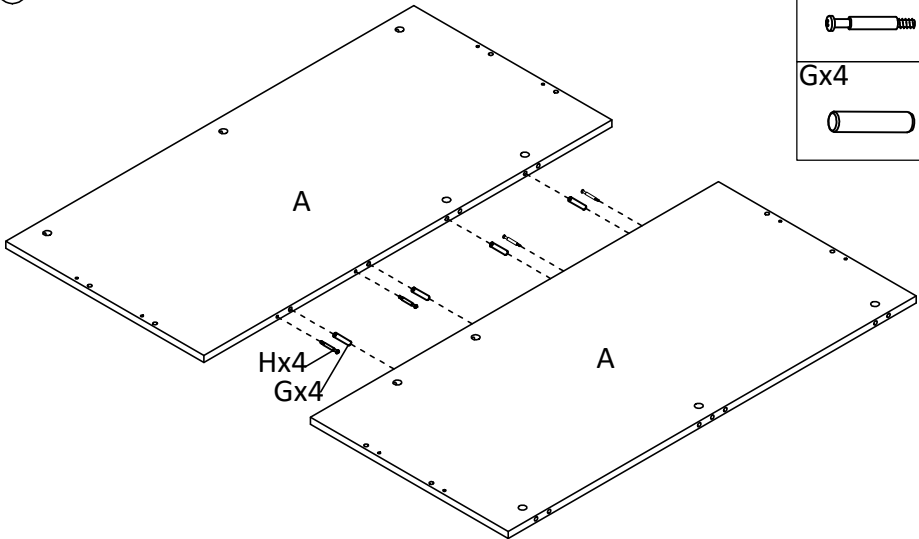
Jx5



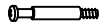
mm
inch

x2

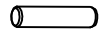
①

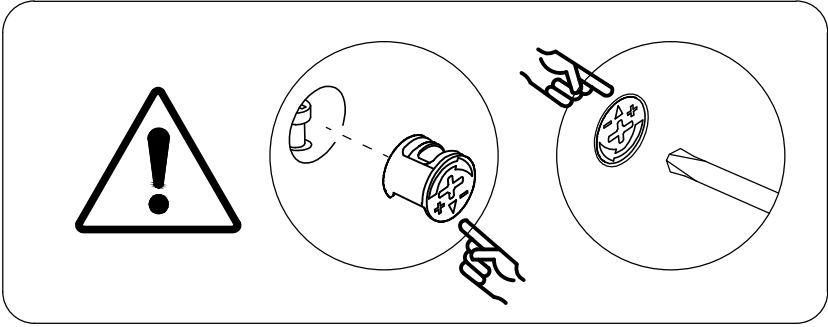


Hx4



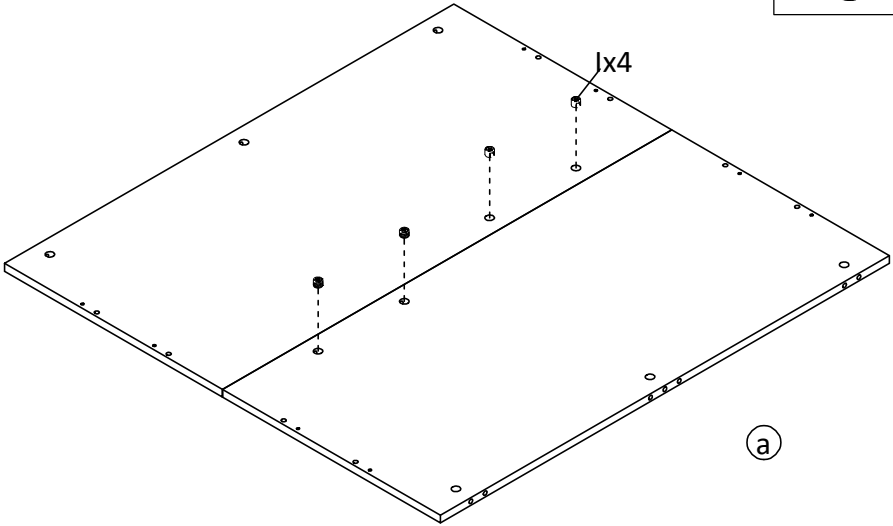
Gx4





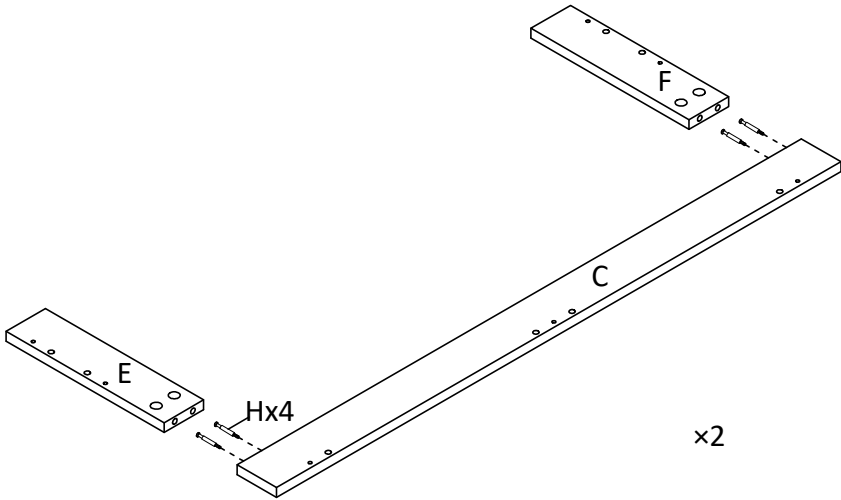
②

1x4



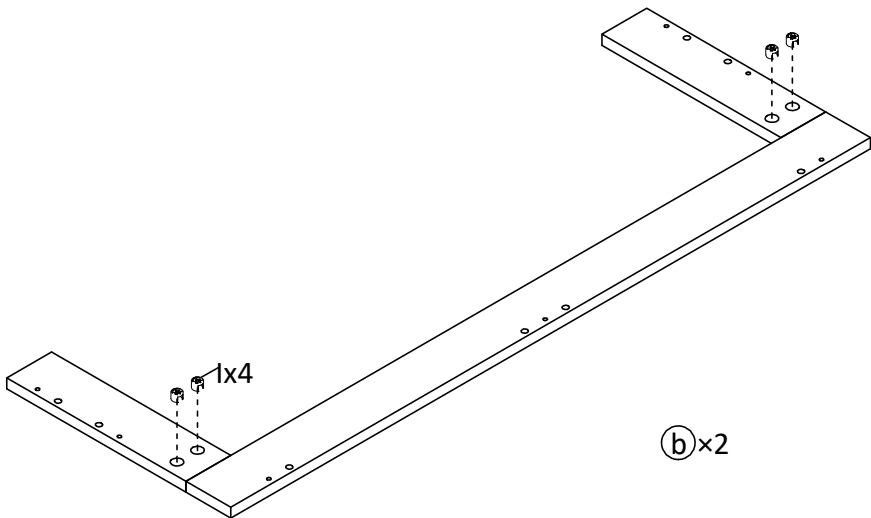
3

Hx8

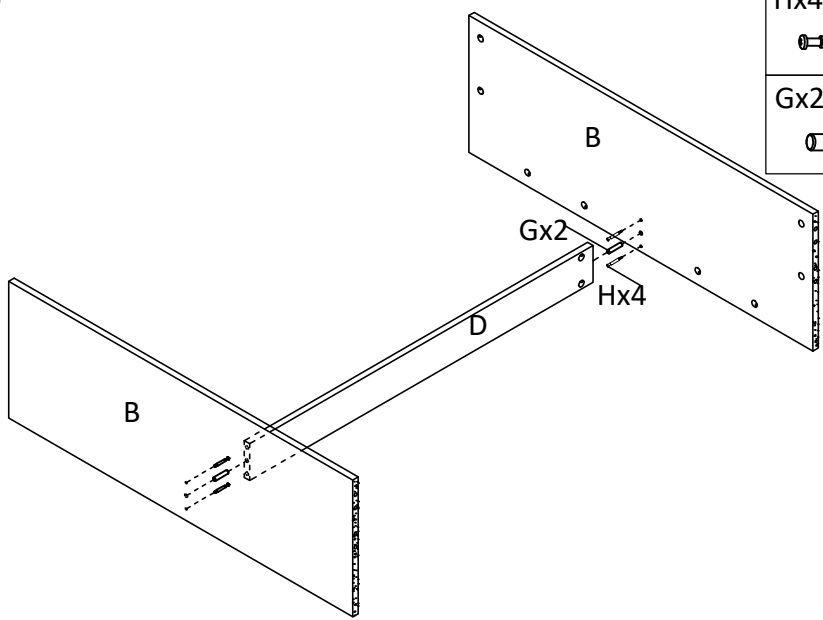


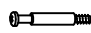
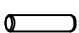
4

lx8

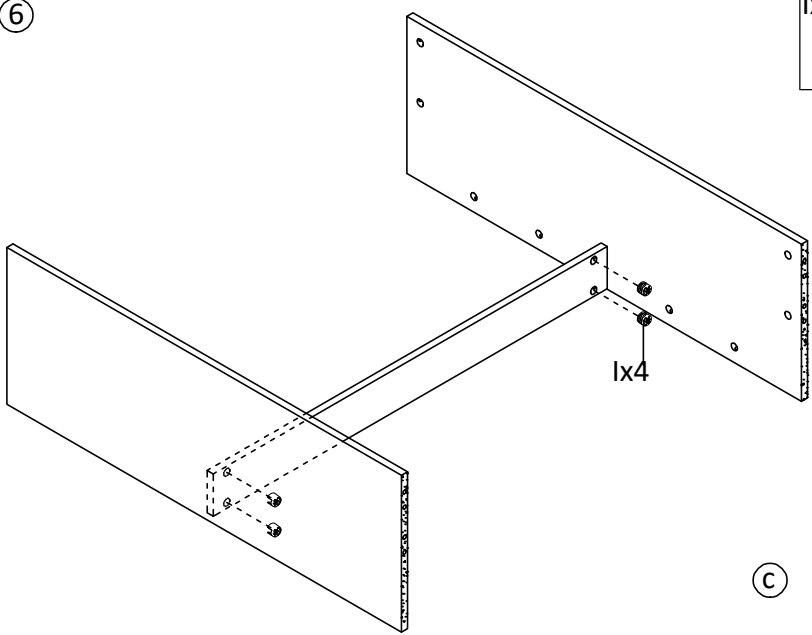



5



- Hx4 
- Gx2 

6



- lx4 

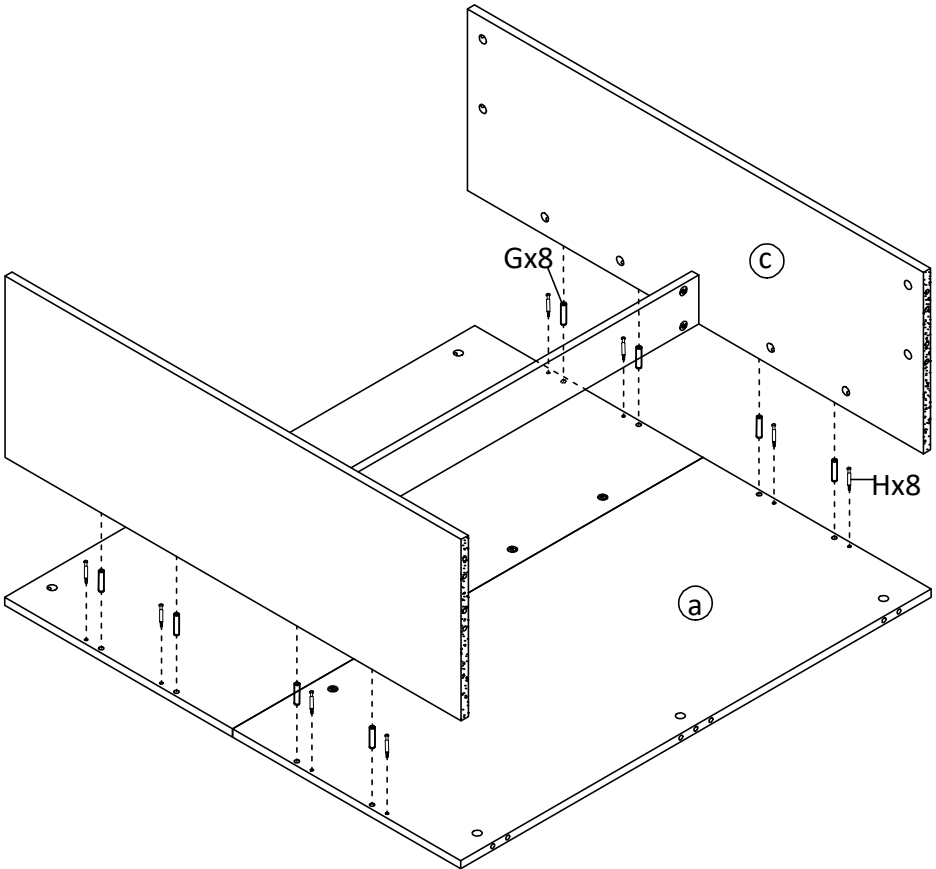
C

7

Hx8

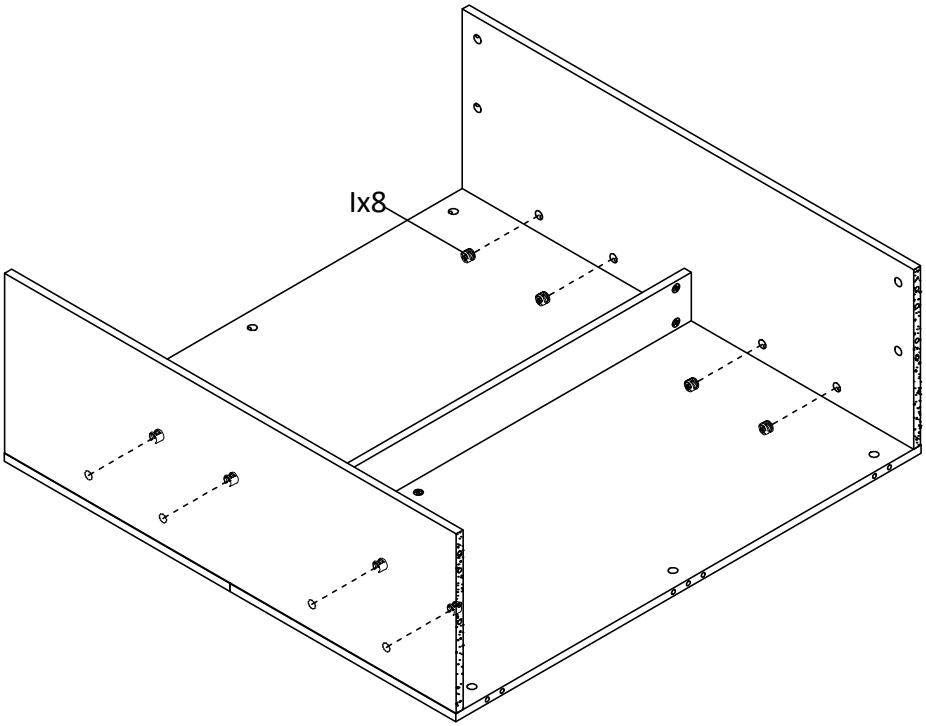


Gx8



8

1x8

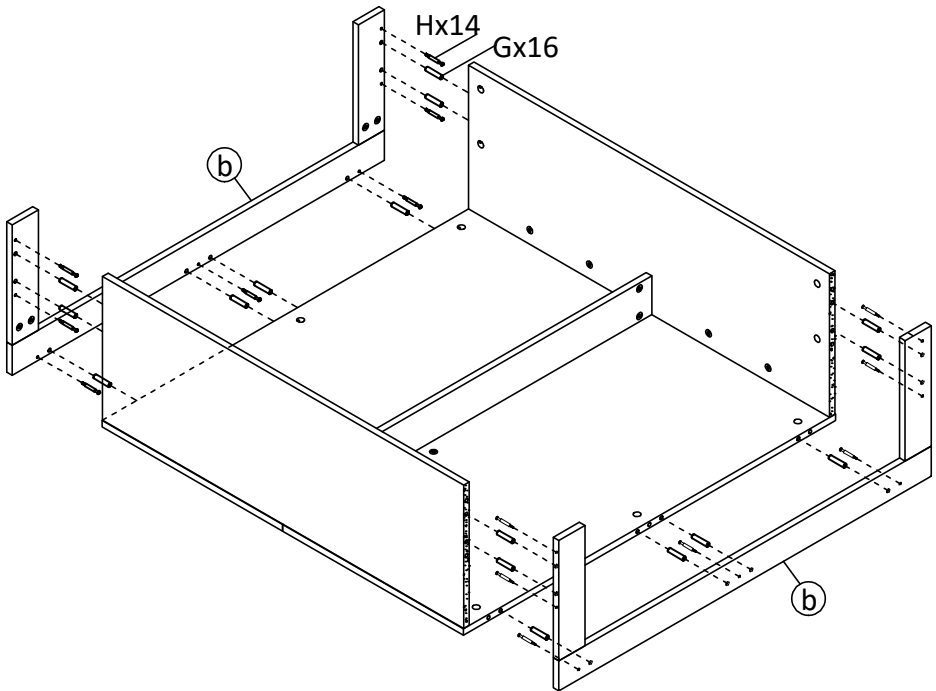


9

Hx14

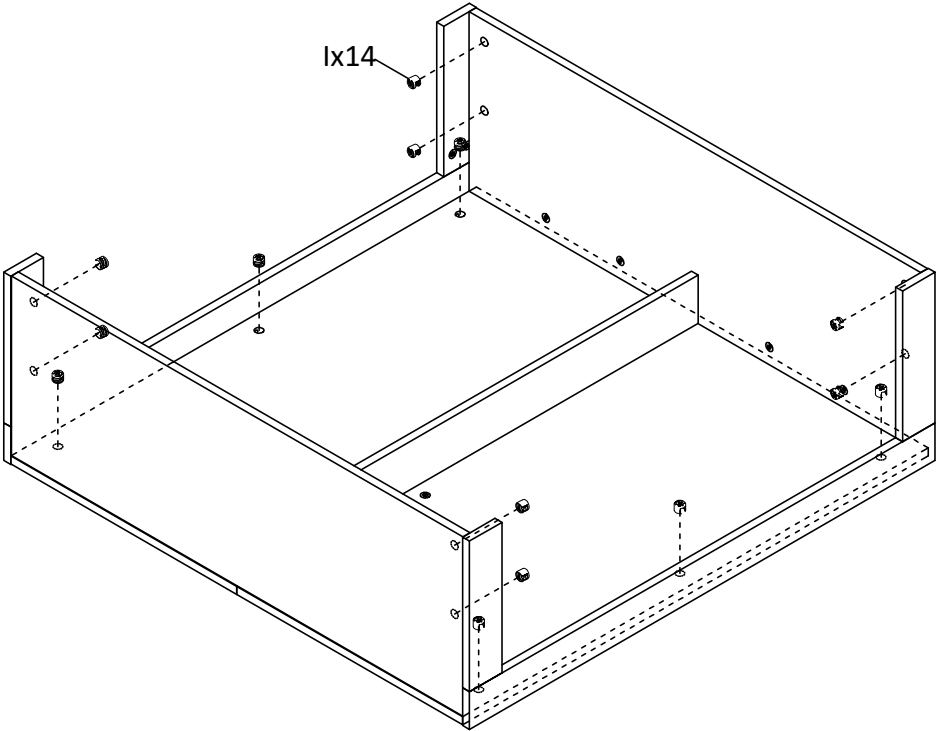


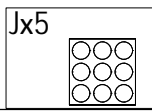
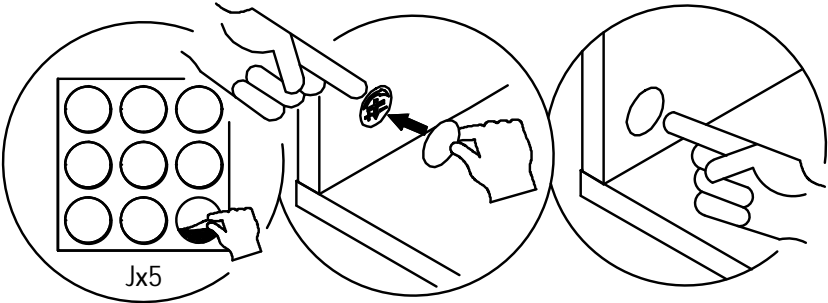
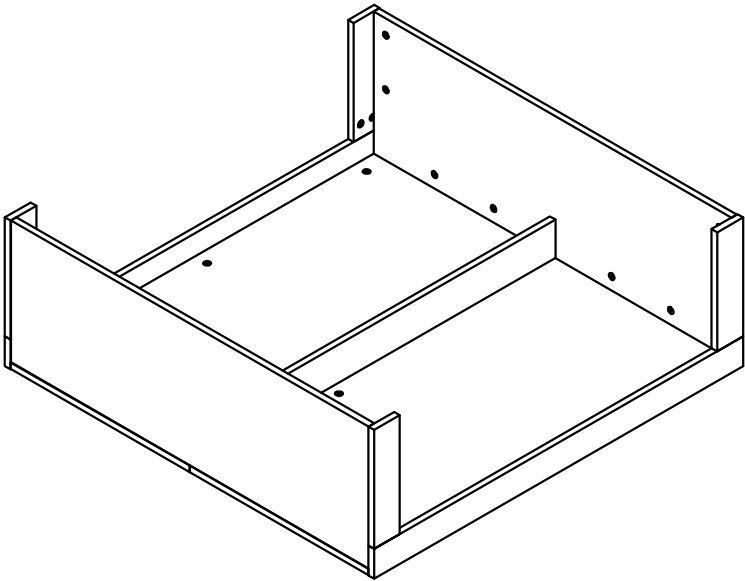
Gx16



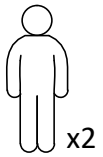
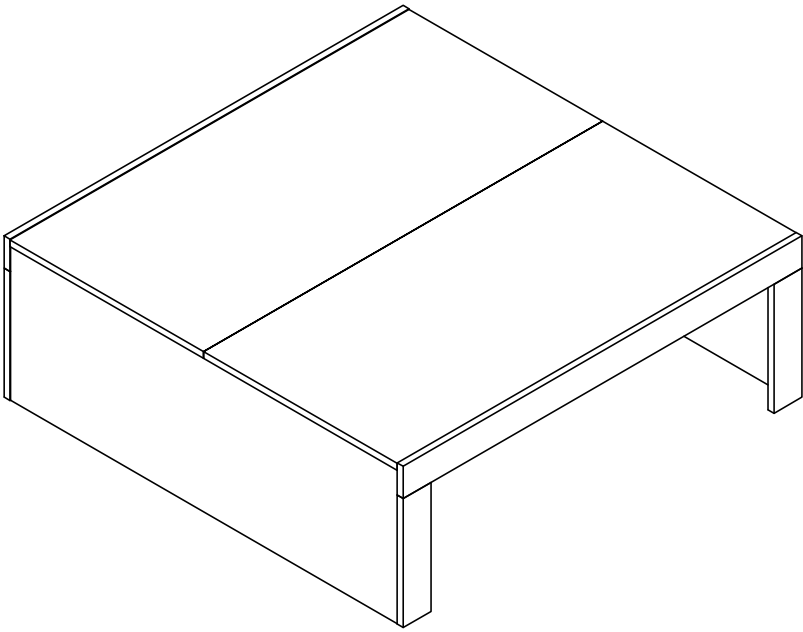
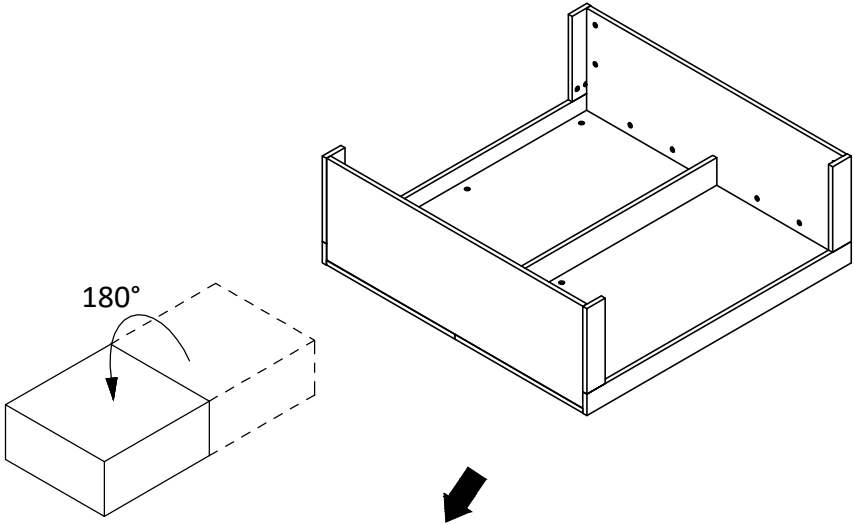
10

1x14





11



12

