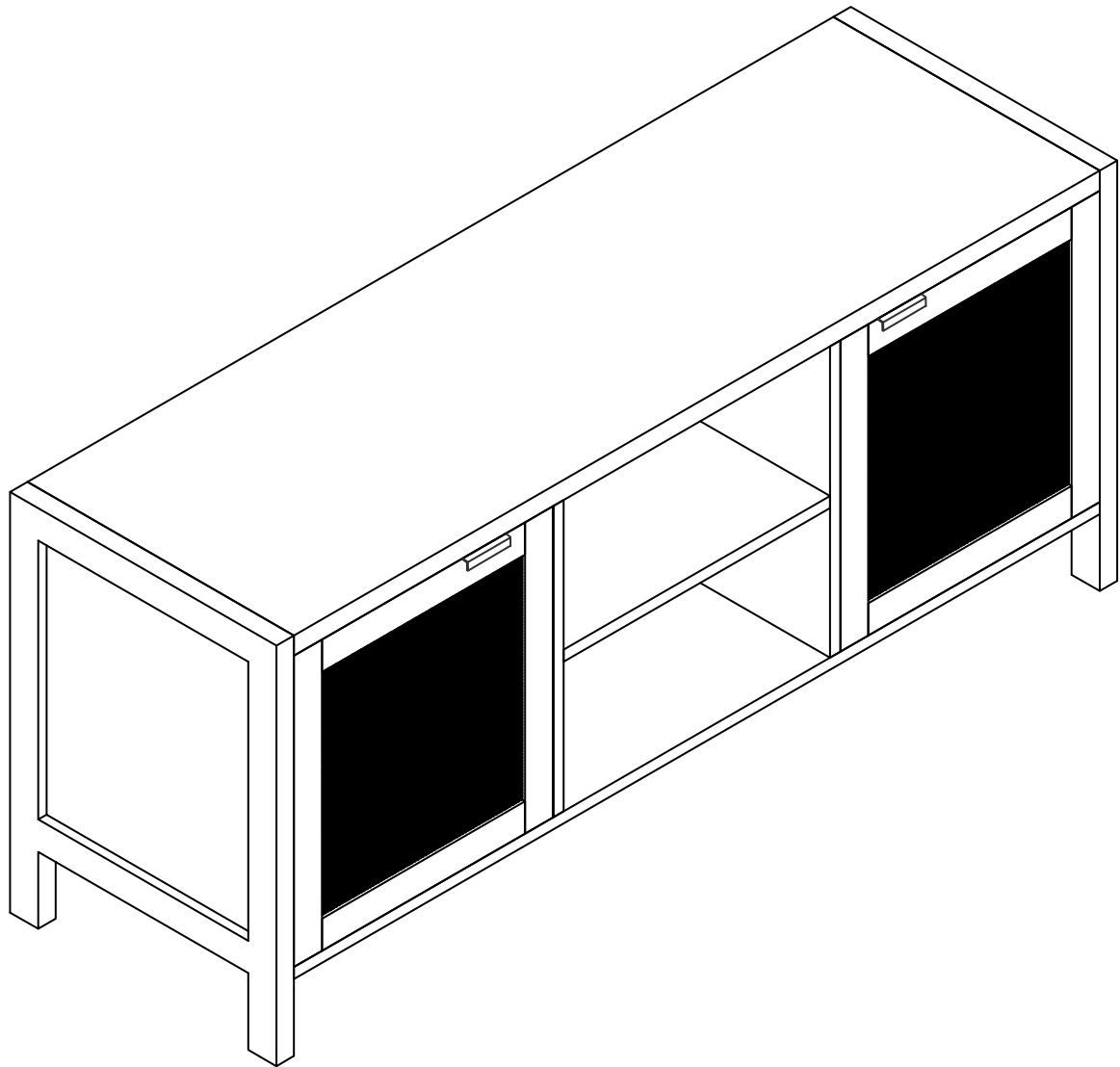
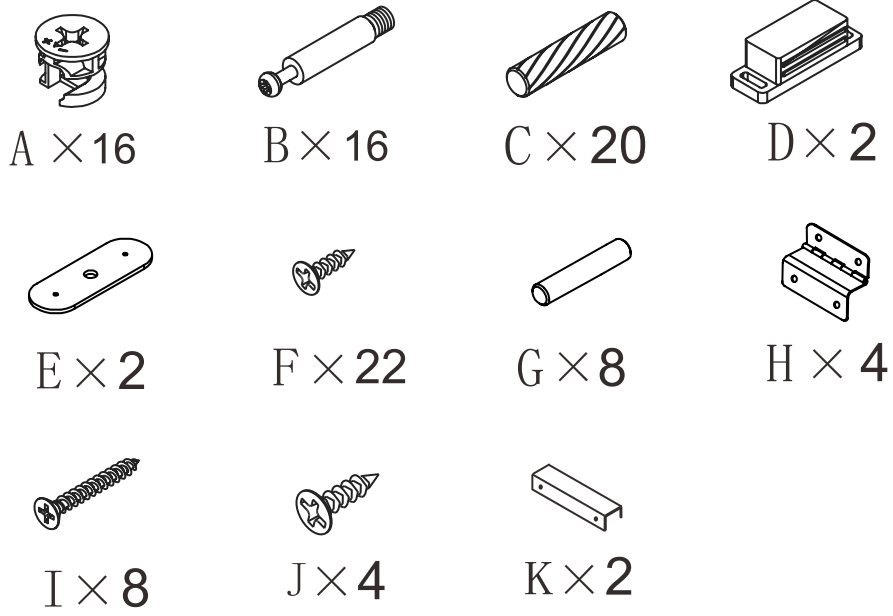
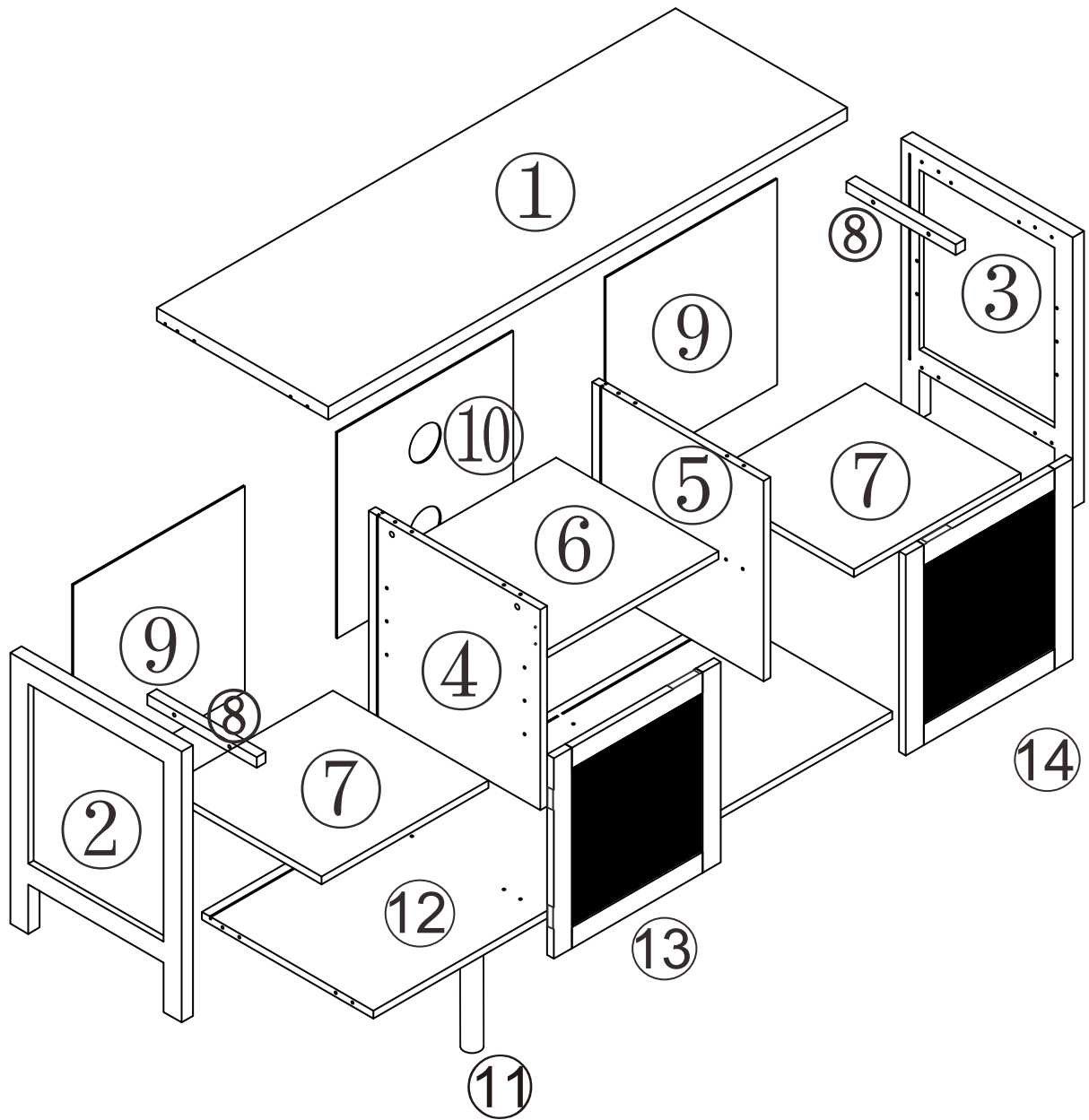


## ASSEMBLY INSTRUCTIONS

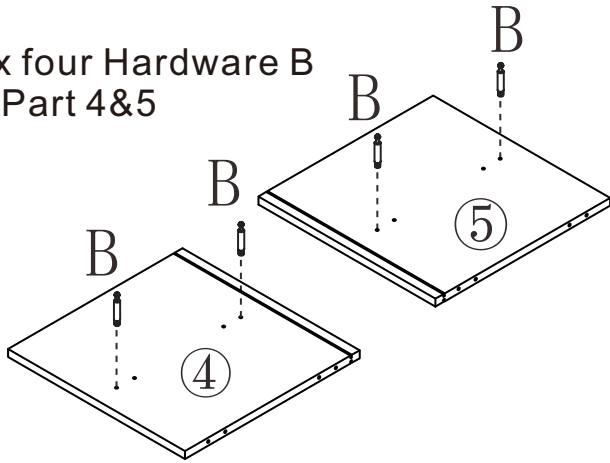
<<Before assembling, read all the instructions>>





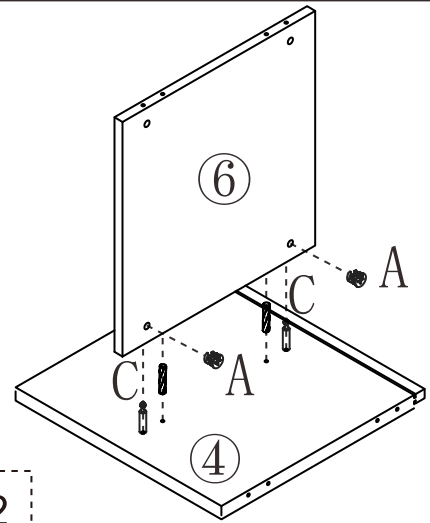
1

Fix four Hardware B to Part 4&5



Bx4

2



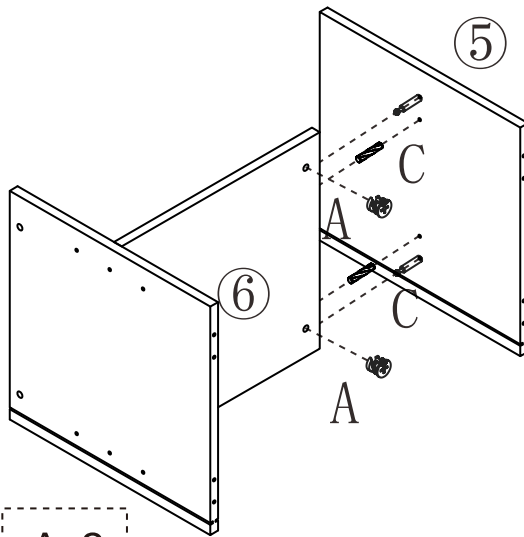
Ax2



Cx2

Connect Part 6 to 4 with two Hardware A/C

3



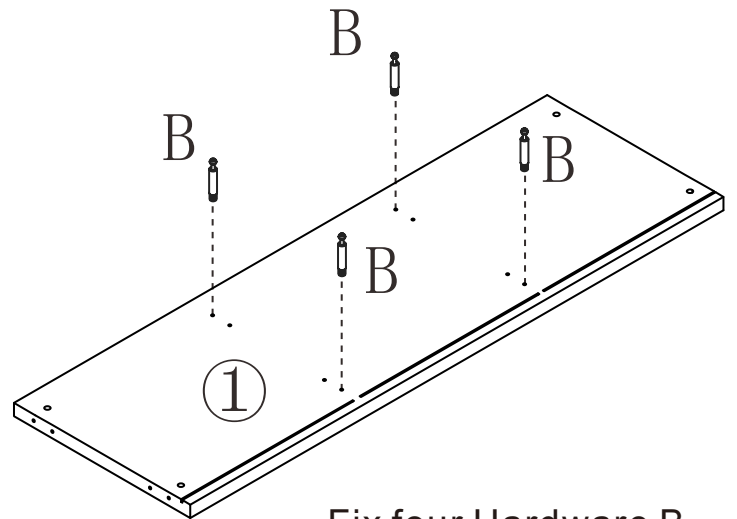
Ax2



Cx2

Connect Part 5 to 6 with two Hardware A/C

4

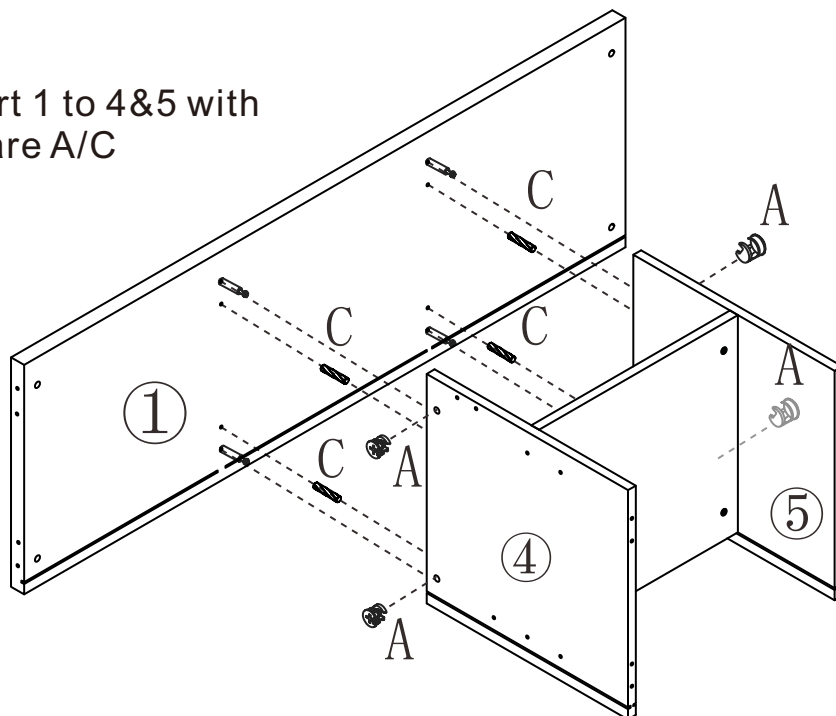


Bx4

Fix four Hardware B to Part 1

5

Connect Part 1 to 4&5 with four Hardware A/C

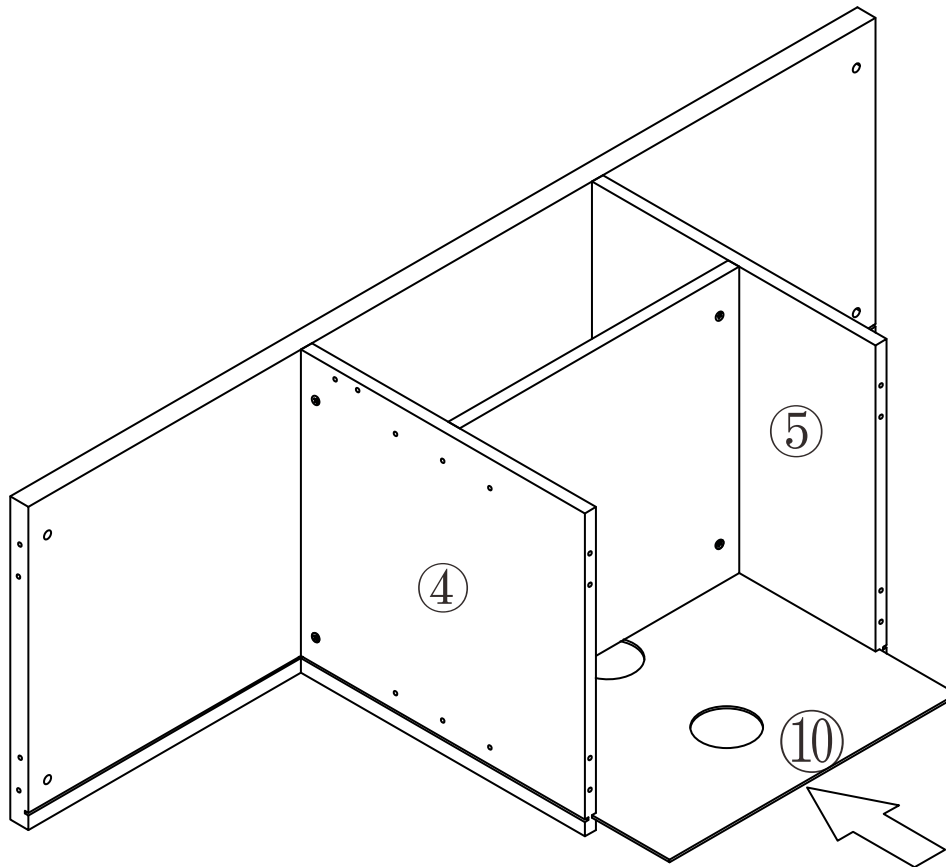


Ax4



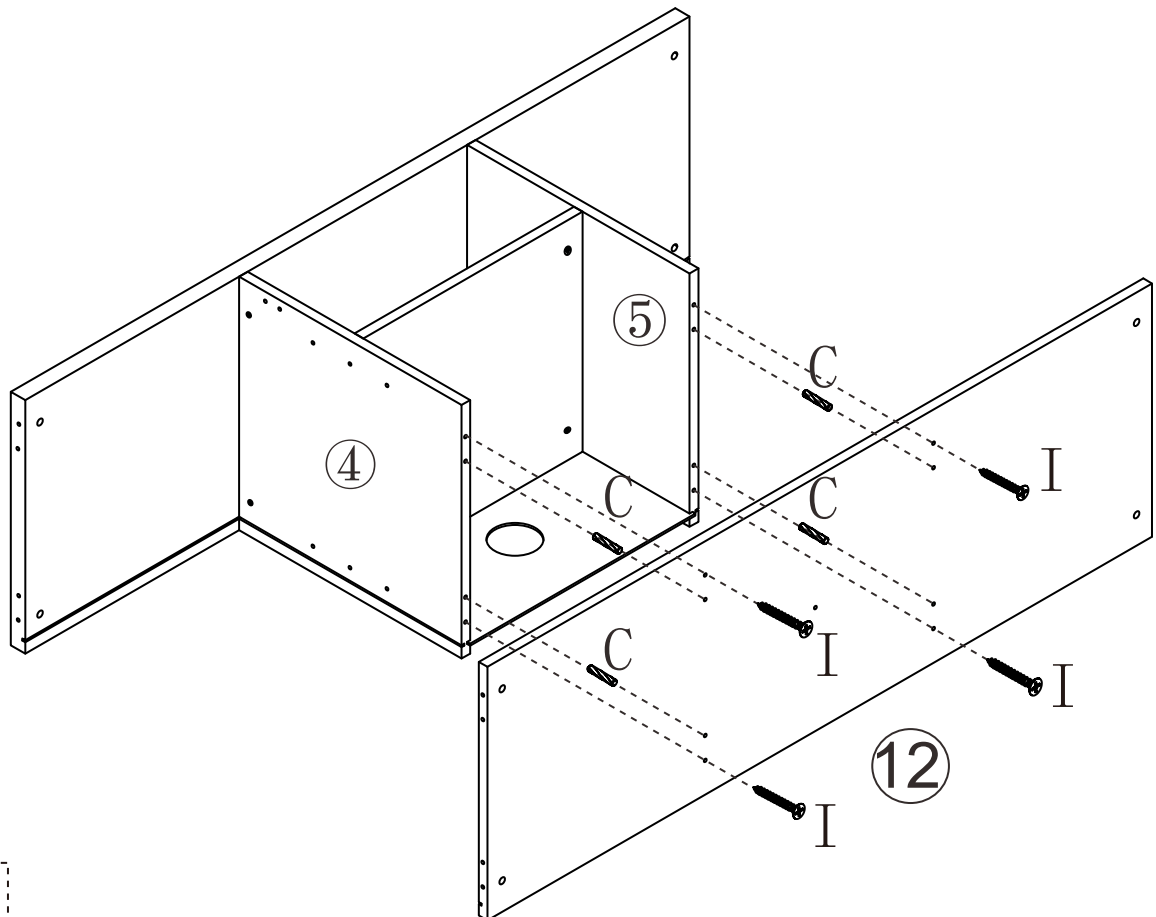
Cx4



6



Slide Part 10 along slots of Part 4&5

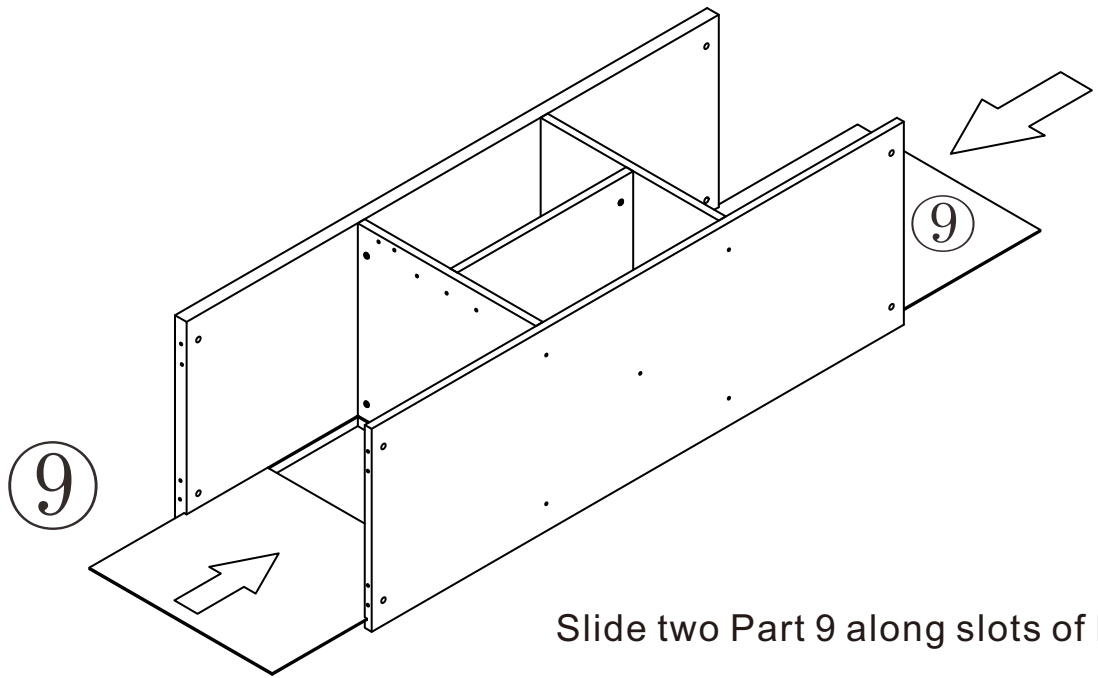
7



	Ix4
	Cx4

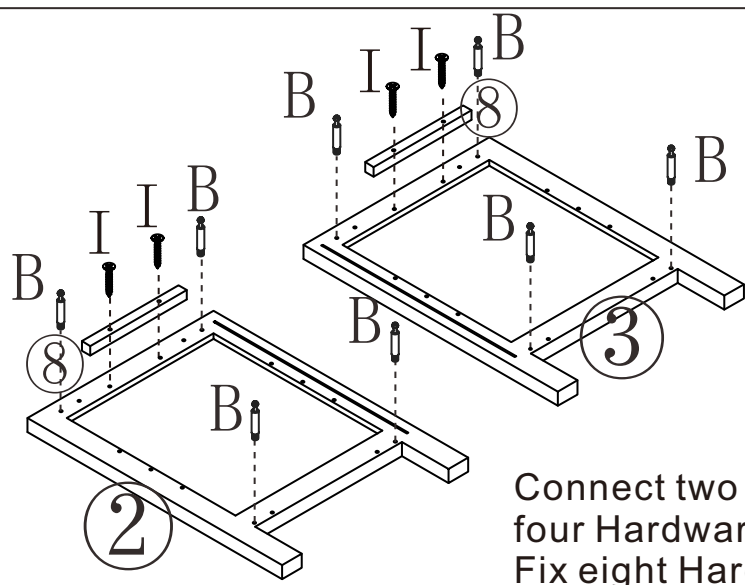
Connect Part 12 to 4&5 with four Hardware C/I

8



Slide two Part 9 along slots of Part 1&12

9



Connect two Part 8 to 2&3 with four Hardware I  
Fix eight Hardware B to Part 2&3

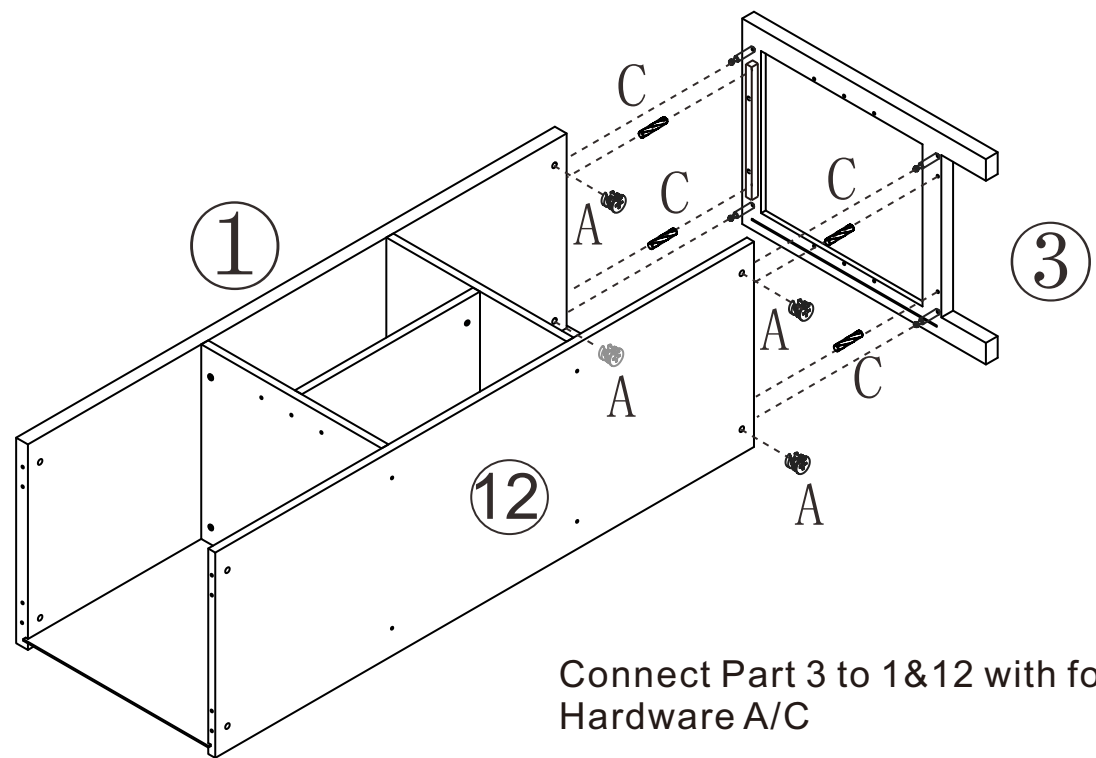


Bx8



Ix4

10



Connect Part 3 to 1&12 with four Hardware A/C



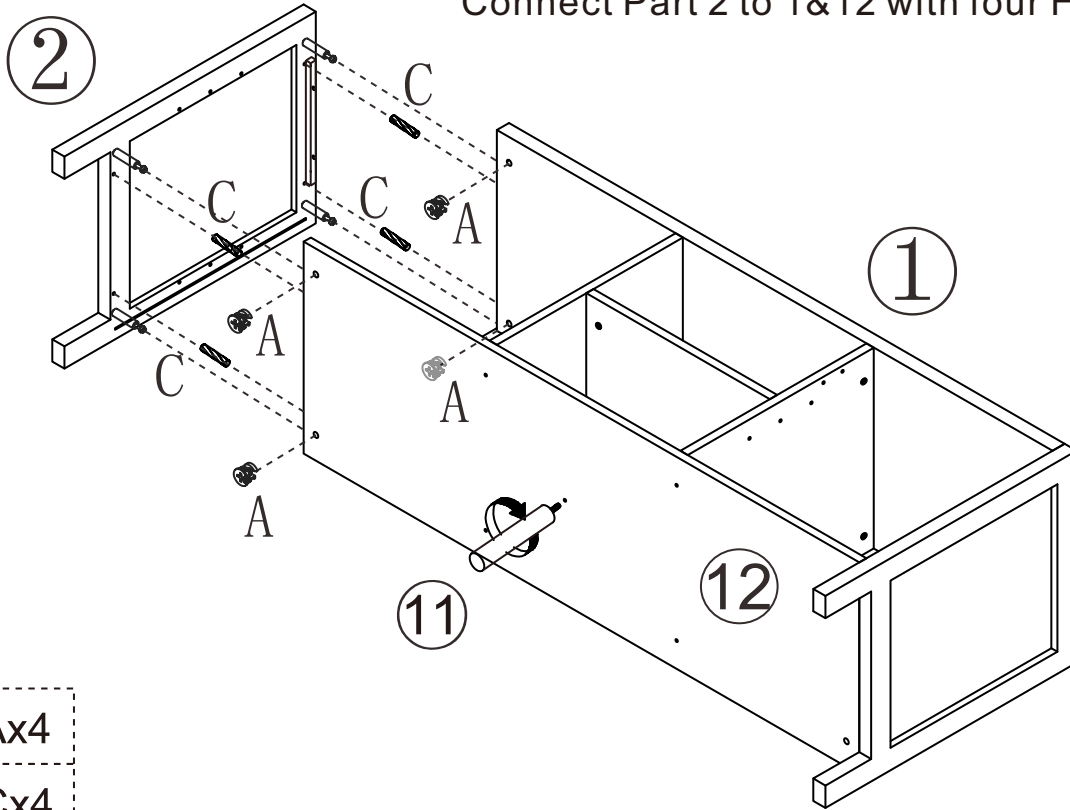
Ax4





Cx4

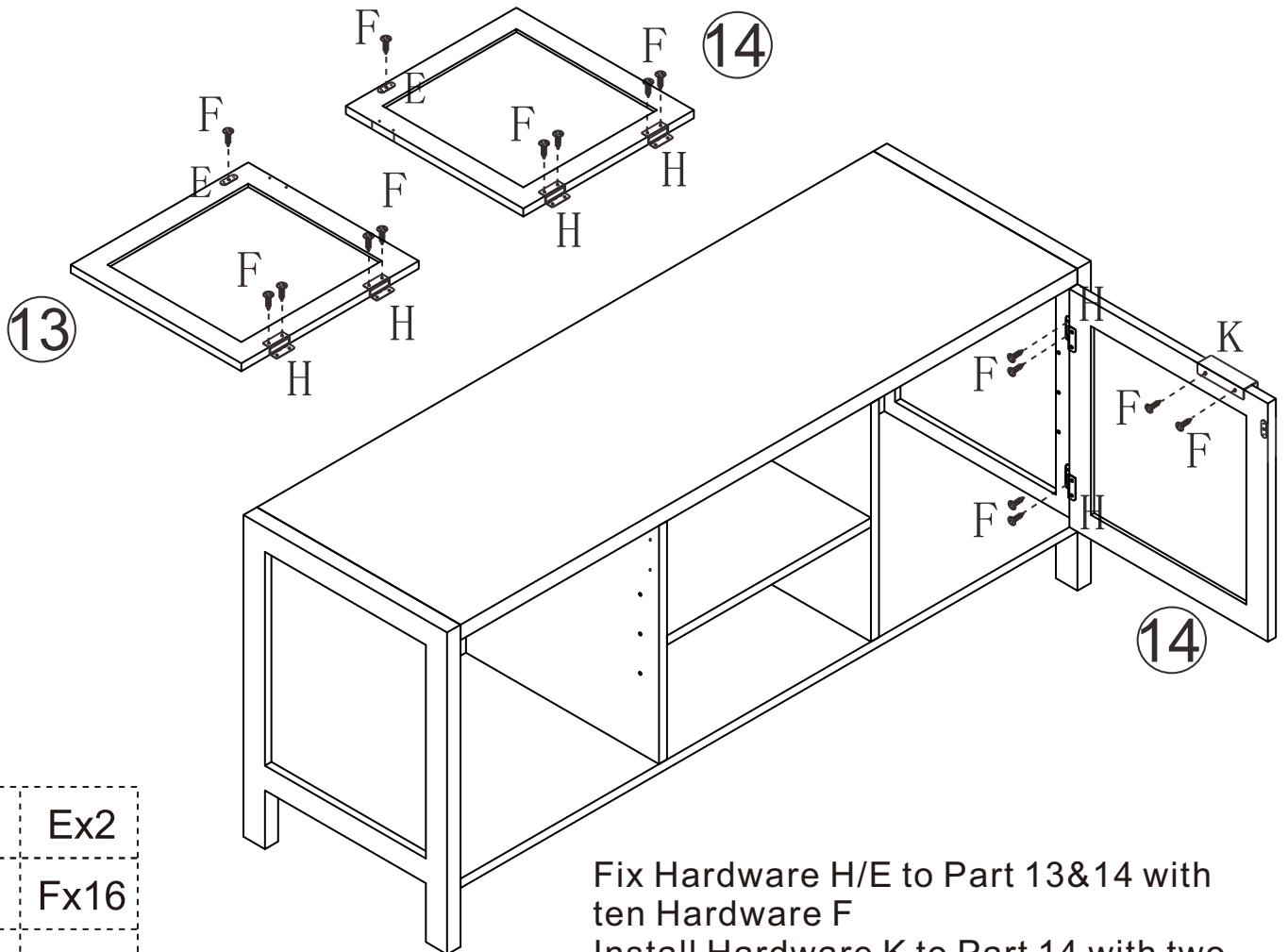
11





Connect Part 2 to 1&12 with four Hardware A/C



	Ax4
	Cx4

12

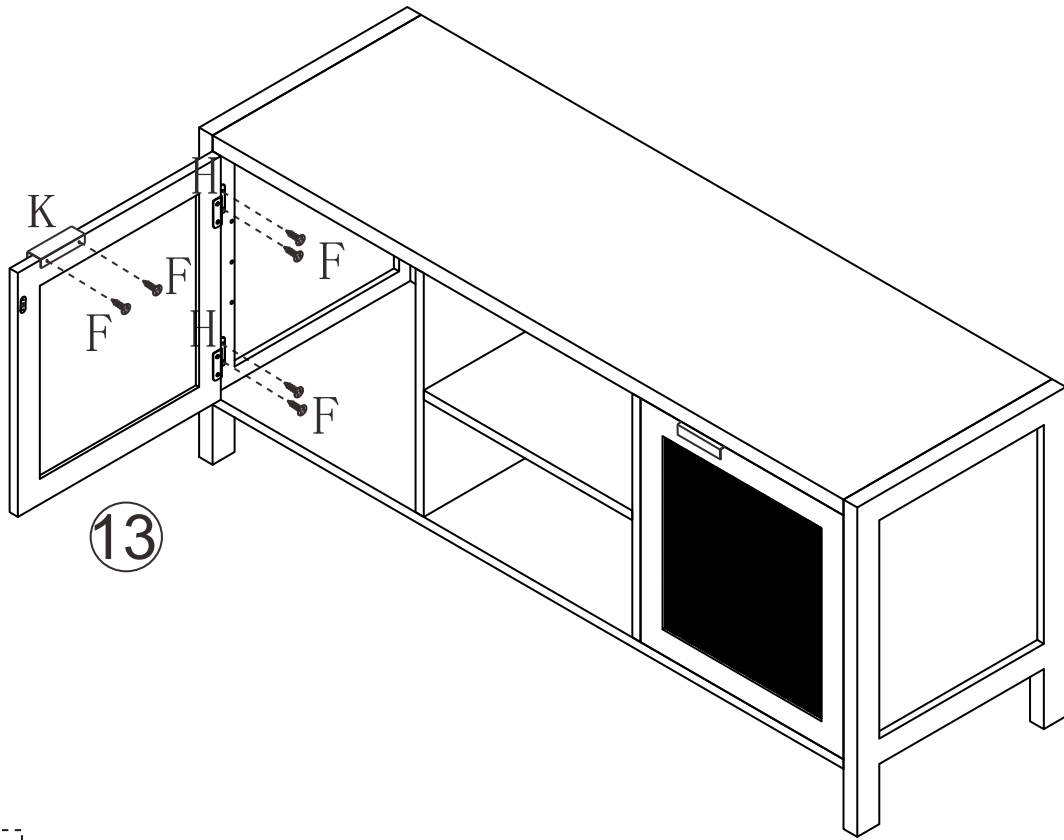


	Ex2
	Fx16
	Hx4
	Kx2

Fix Hardware H/E to Part 13&14 with ten Hardware F  
 Install Hardware K to Part 14 with two Hardware F  
 Connect Part 14 to 3 with four Hardware F

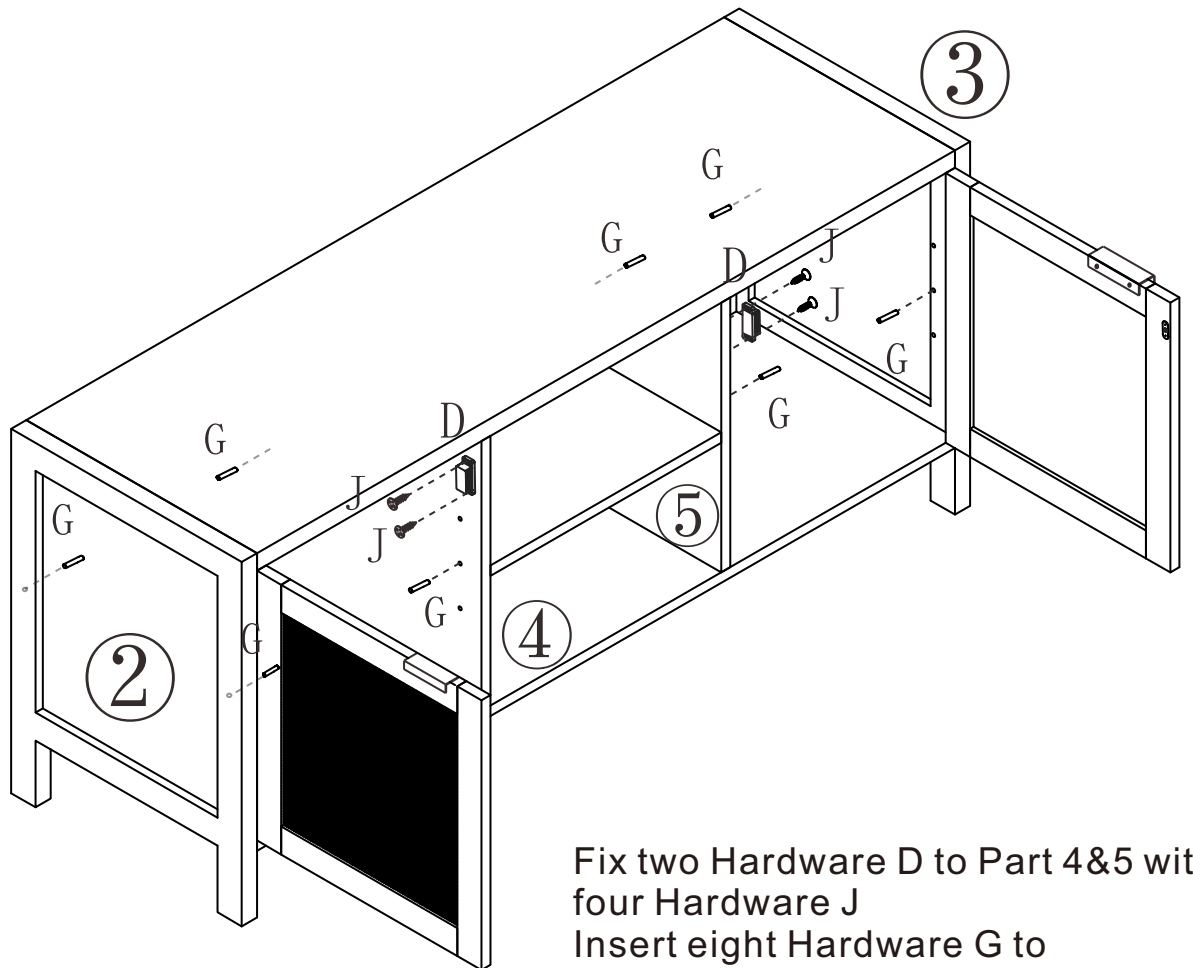
13

Install Hardware K to Part 13 with two Hardware F  
Connect Part 13 to 2 with four Hardware F



 Fx6

14



 Dx2

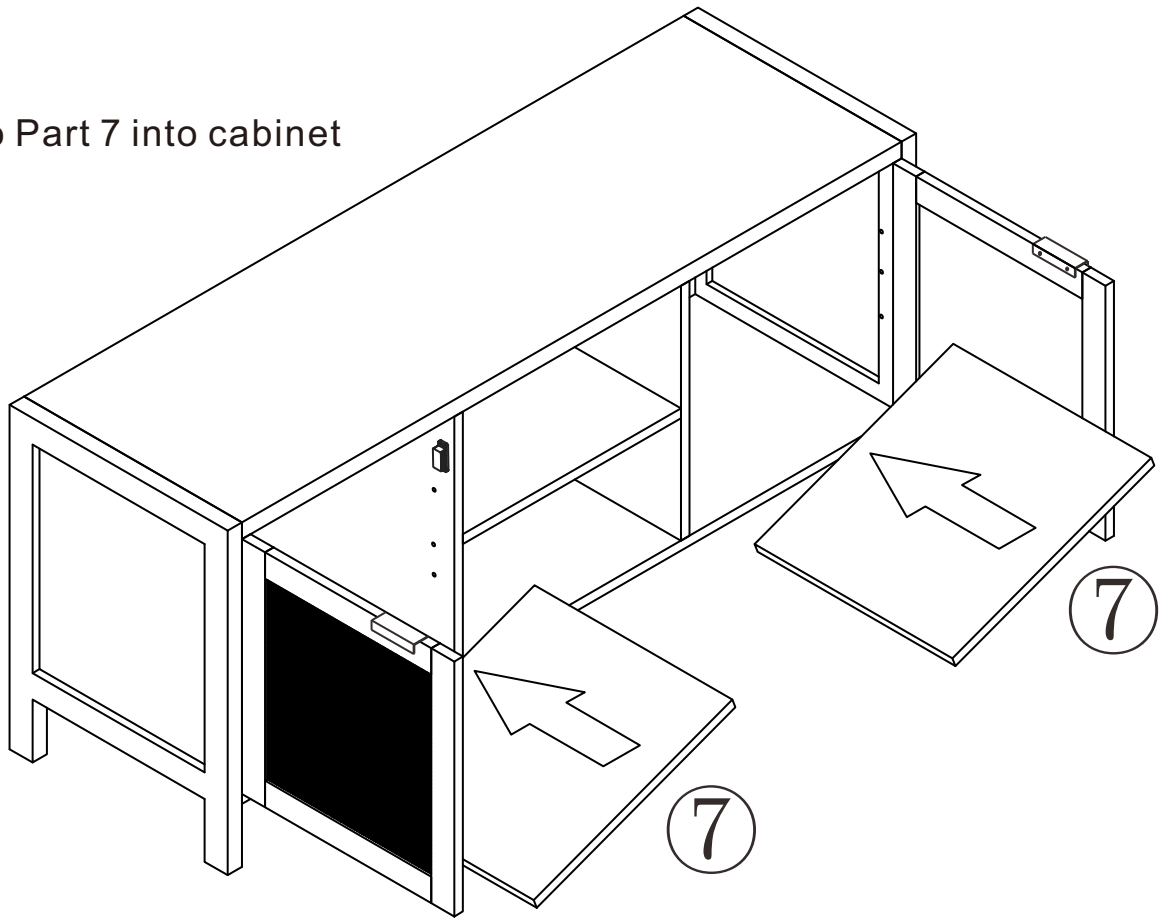
 Gx8

 Jx4

Fix two Hardware D to Part 4&5 with  
four Hardware J  
Insert eight Hardware G to  
Part 2&4&5&3

15

Place two Part 7 into cabinet



16

