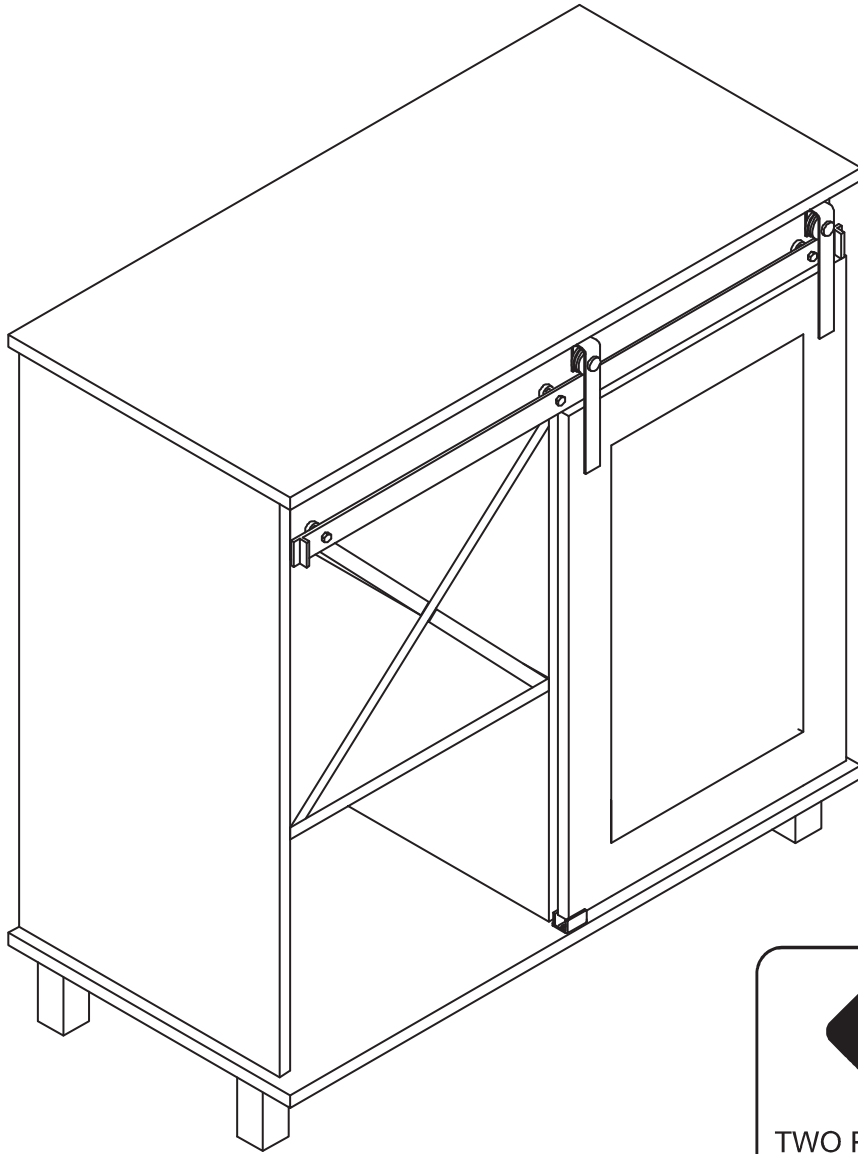


Assembly Instruction

One Door Storage Cabinet

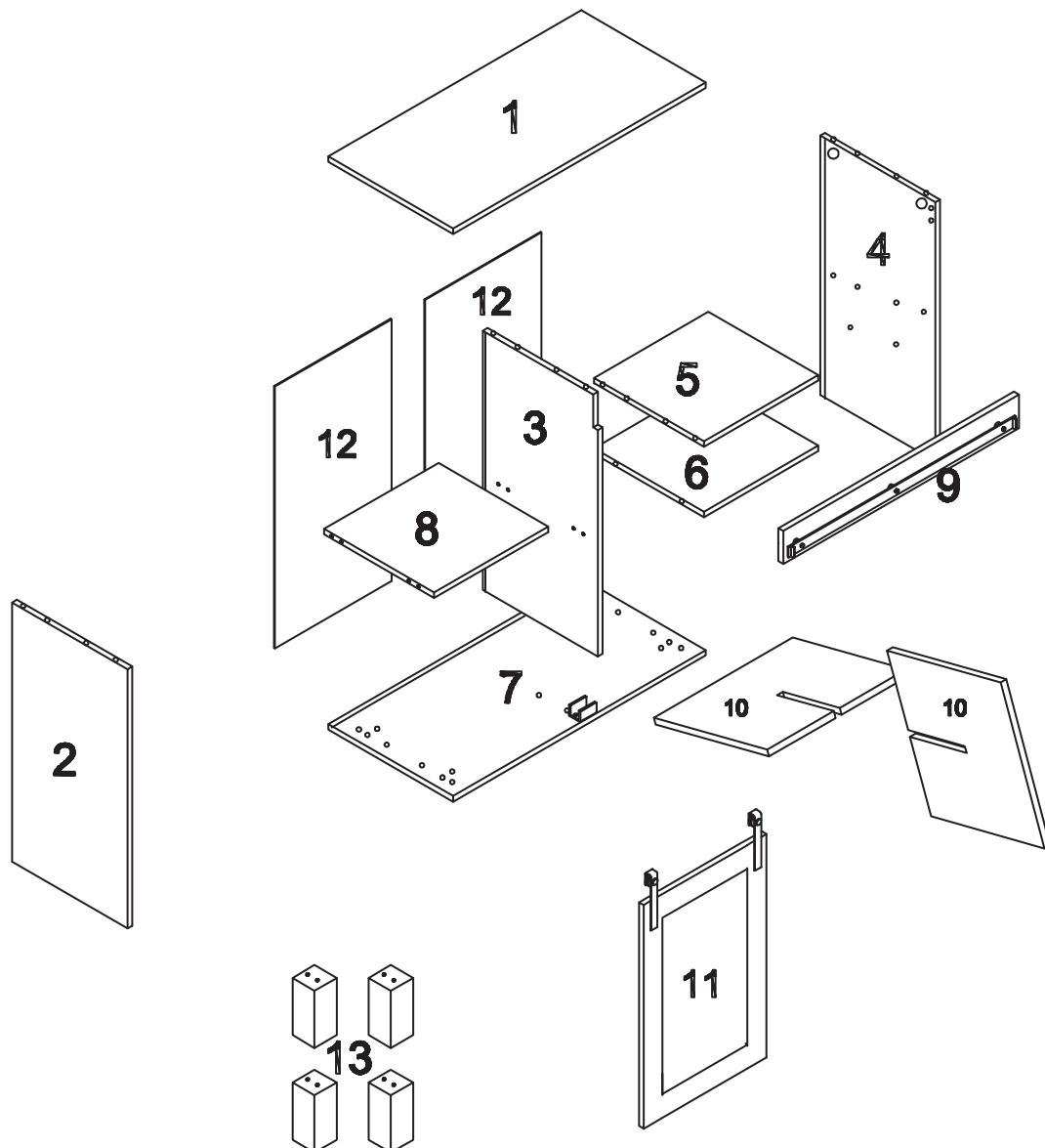


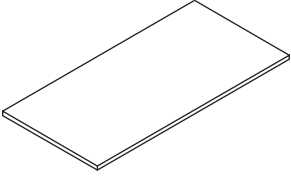

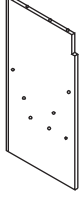
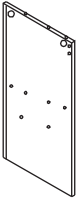
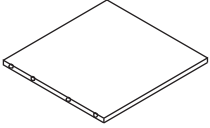
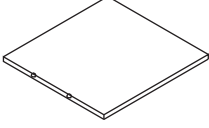
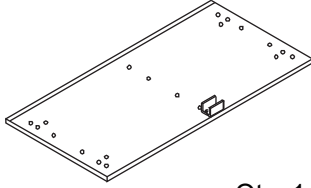
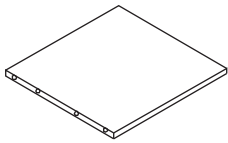
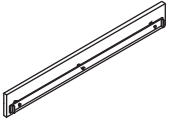
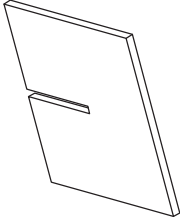
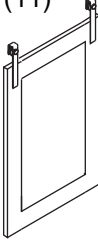

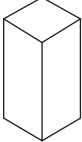

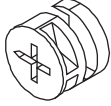

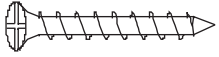
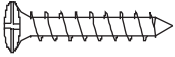
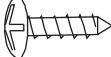
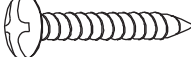

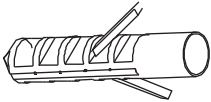

Carefully unpack and identify each component before beginning assembly. Before you begin, please refer to parts list to make sure that you have all parts. Please take care when assembling the unit and always place the parts on a clean, soft surface.

PRE-ASSEMBLY PREPARATION

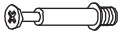


- **CAUTION:** Assembly will require at least 2 adults. DO NOT use power tools. Please inspect all items BEFORE assembly. If for any reason you need to return this item, please kindly return it in it's original packaging.
- **WARNING!**
 1. DO NOT let any sharp objects touch or rub the surface of the product.
 2. When assembling, do not let children play around the working area.
 3. DO NOT tighten all bolts and screws completely until the entire unit has been assembled and set up.
 4. DO NOT USE if this product become damaged, and/or components are broken or missing.
- **CARE AND CLEANING:** DO NOT scratch or chip the finish. DO NOT use abrasive chemicals for cleaning. Clean with mild soap on a soft rag. Rinse and dry thoroughly.
- **MAINTENANCE:** Please periodically check all fittings and re-tighten as necessary.

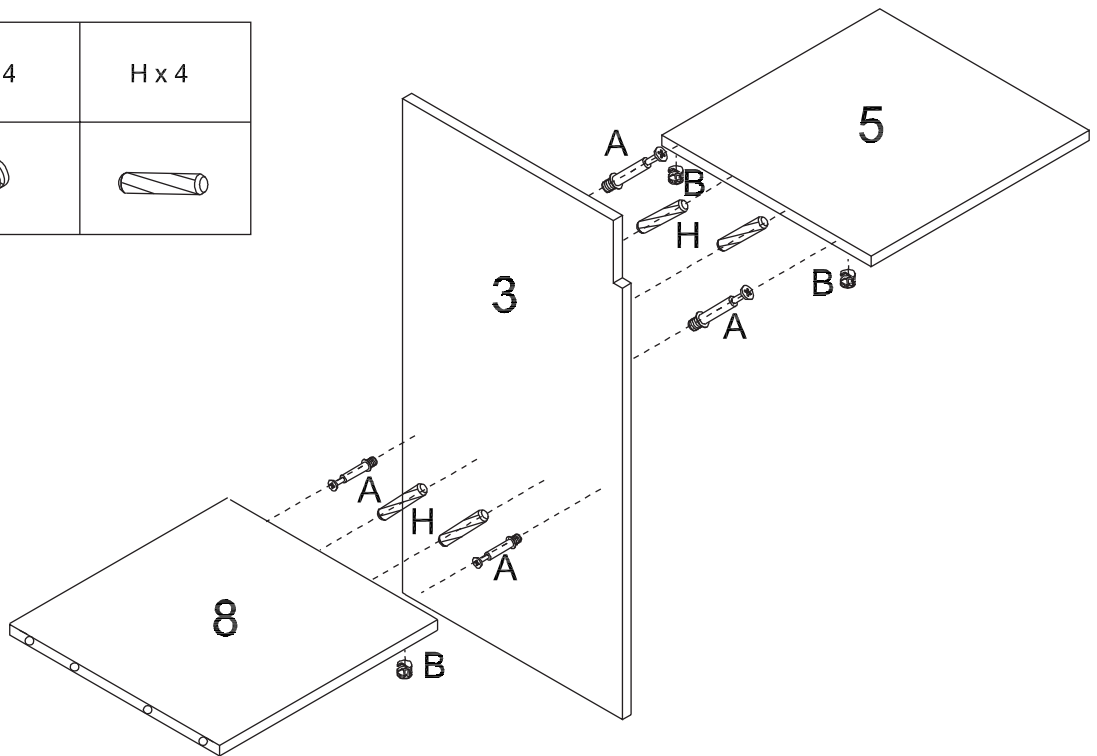
Explosive View



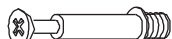

PARTS LIST			
<p>TOP PANEL (1)</p>  <p>Qty: 1</p>	<p>LEFT SIDE PANEL (2)</p>  <p>Qty: 1</p>	<p>PARTITION WALL (3)</p>  <p>Qty: 1</p>	<p>RIGHT SIDE PANEL (4)</p>  <p>Qty: 1</p>
<p>RIGHT UPPER SHELF (5)</p>  <p>Qty: 1</p>	<p>RIGHT LOWER SHELF (6)</p>  <p>Qty: 1</p>	<p>BOTTOM PANEL (7)</p>  <p>Qty: 1</p>	<p>LEFT SHELF (8)</p>  <p>Qty: 1</p>
<p>FRONT BAR (9)</p>  <p>Qty: 1</p>	<p>X LONG WINE RACK (10)</p>  <p>Qty: 2</p>	<p>DOOR (11)</p>  <p>Qty: 1</p>	<p>BACK PANEL (12)</p>  <p>Qty: 2</p>
<p>LEG (13)</p>  <p>Qty: 4</p>			
HARDWARE LIST			
<p>CAM (A)</p>  <p>Qty: 15</p>	<p>CAM LOCK (B)</p> <p>15*12mm</p>  <p>Qty: 15</p>	<p>CAM COVER (C)</p>  <p>Qty: 6</p>	<p>PHILLIPS SCREW (D)</p> <p>4*40mm</p>  <p>Qty: 6</p>
<p>PHILLIPS SCREW (E)</p> <p>4*30mm</p>  <p>Qty: 8</p>	<p>PHILLIPS SCREW (F)</p> <p>4*14mm</p>  <p>Qty: 2</p>	<p>PHILLIPS SCREW (G)</p> <p>4*25mm</p>  <p>Qty: 2</p>	<p>WOOD DOWEL (H)</p> <p>6*30mm</p>  <p>Qty: 28</p>
<p>WALL ANCHOR (I)</p>  <p>Qty: 2</p>	<p>FIX BELT (J)</p>  <p>Qty: 2</p>		

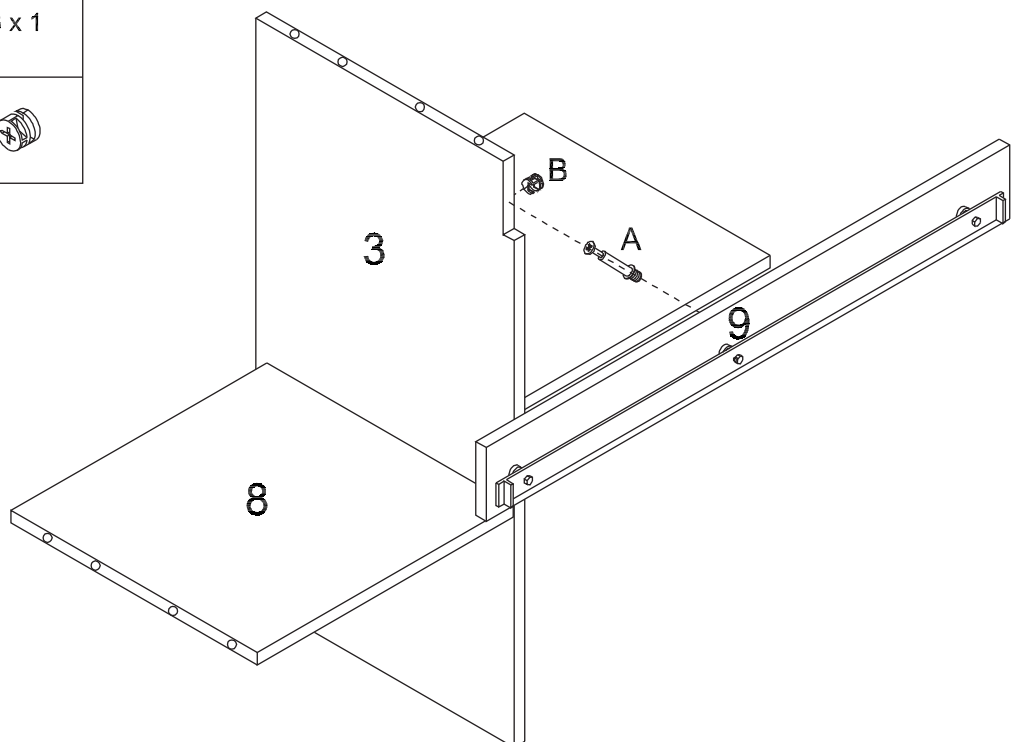
STEP 1

A x 4	B x 4	H x 4
		

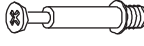




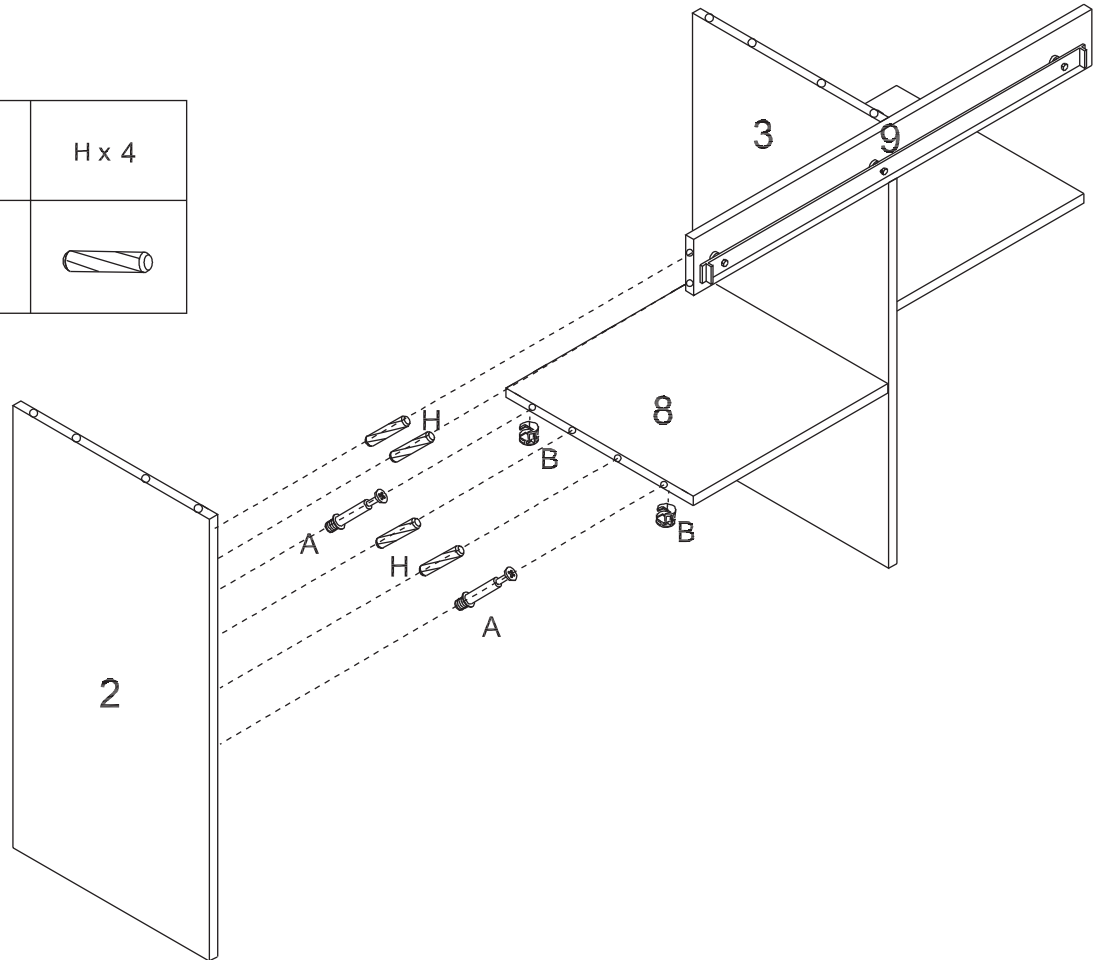
STEP 2

A x 1	B x 1
	






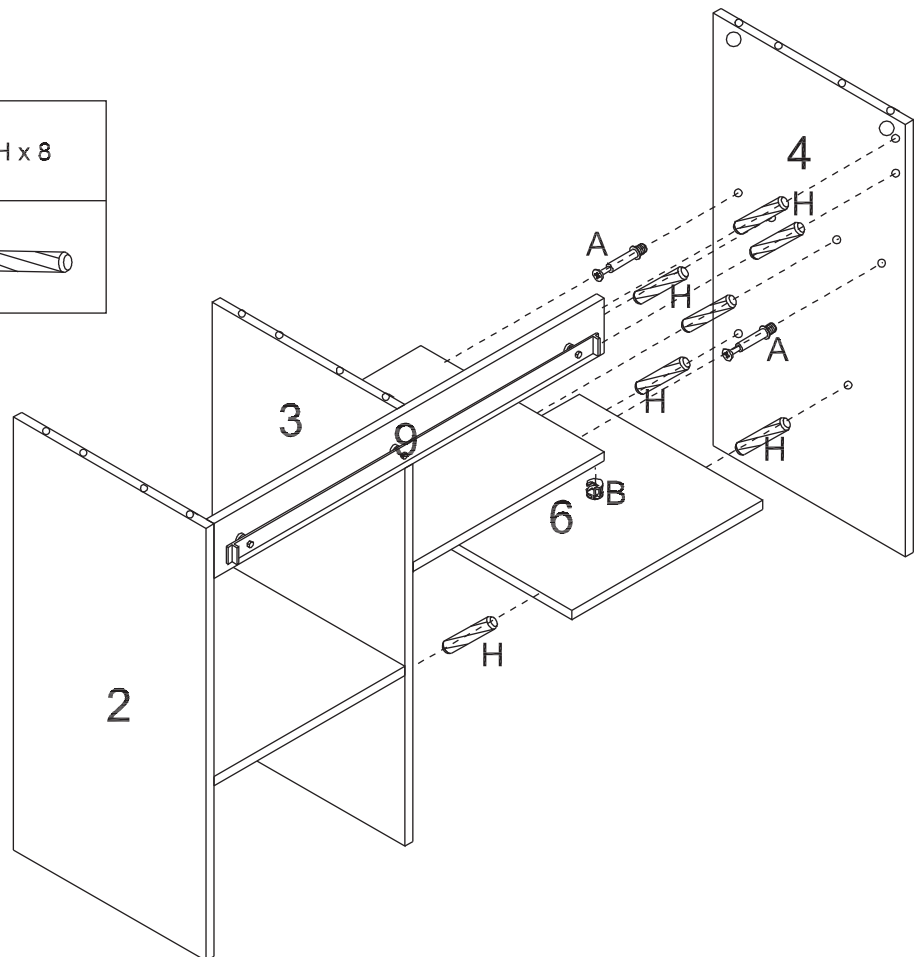
STEP 3

A x 2	B x 2	H x 4
		

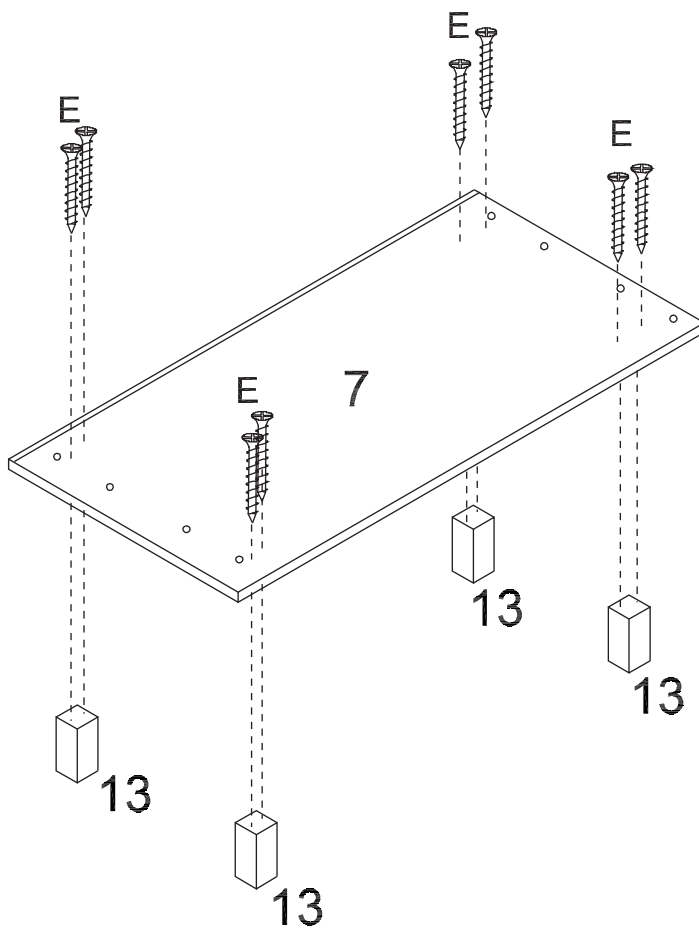
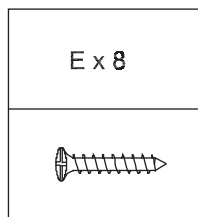


STEP 4

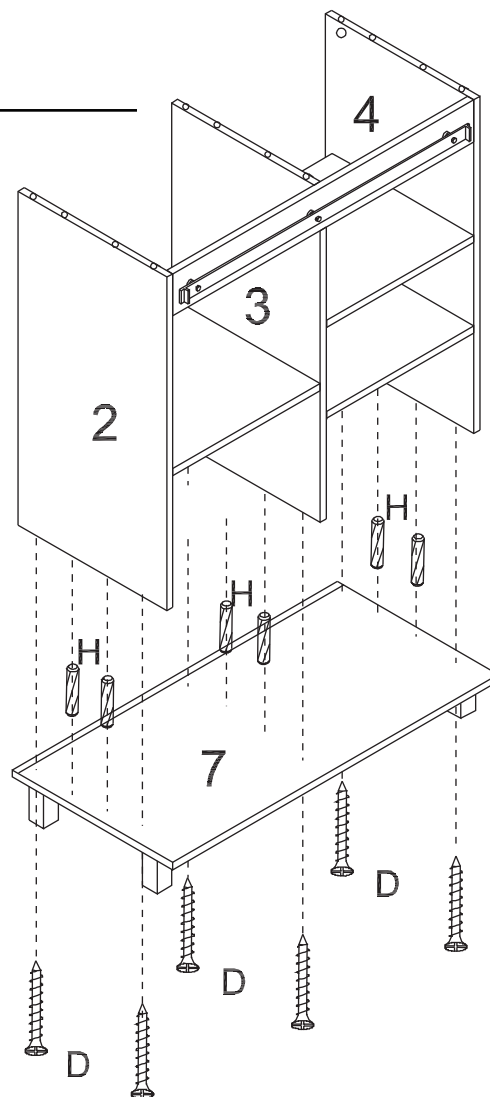
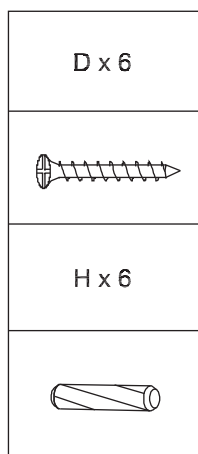
A x 2	B x 2	H x 8
		



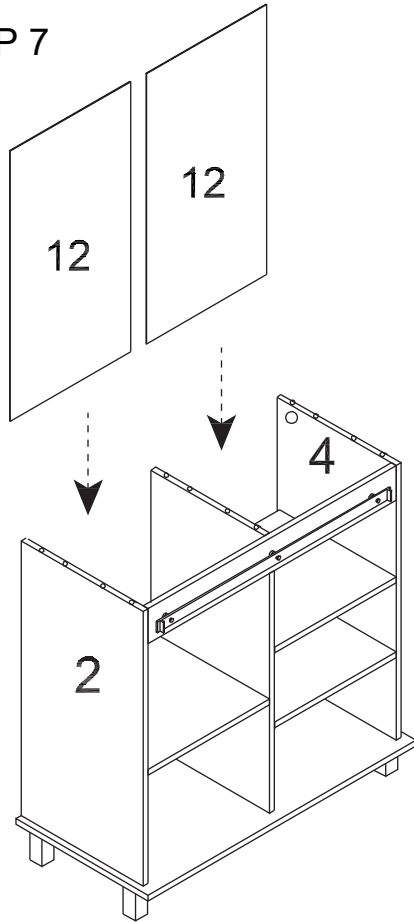
STEP 5



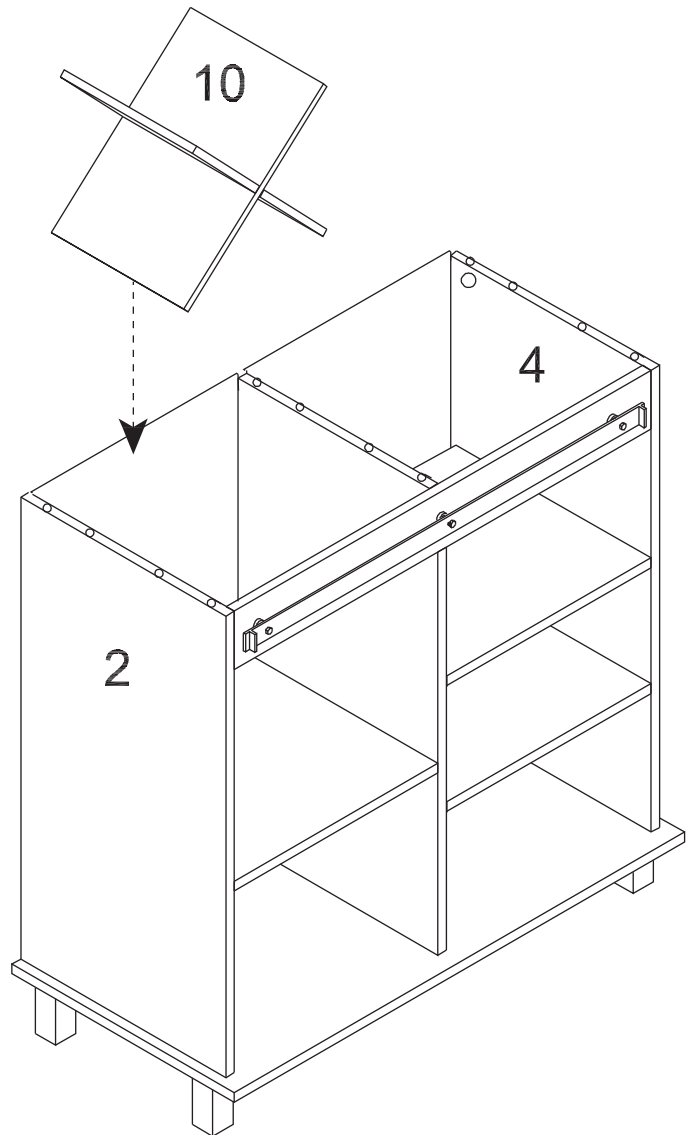
STEP 6



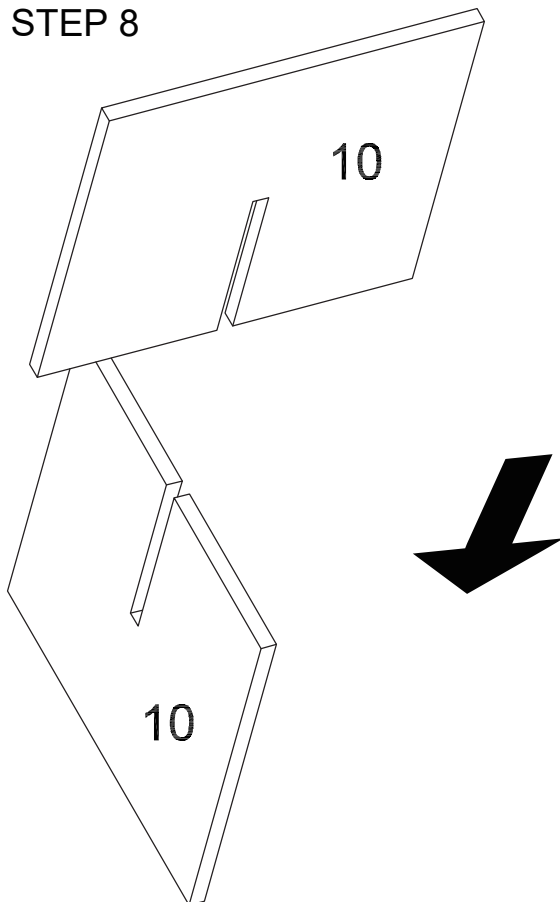
STEP 7



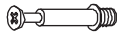



STEP 9

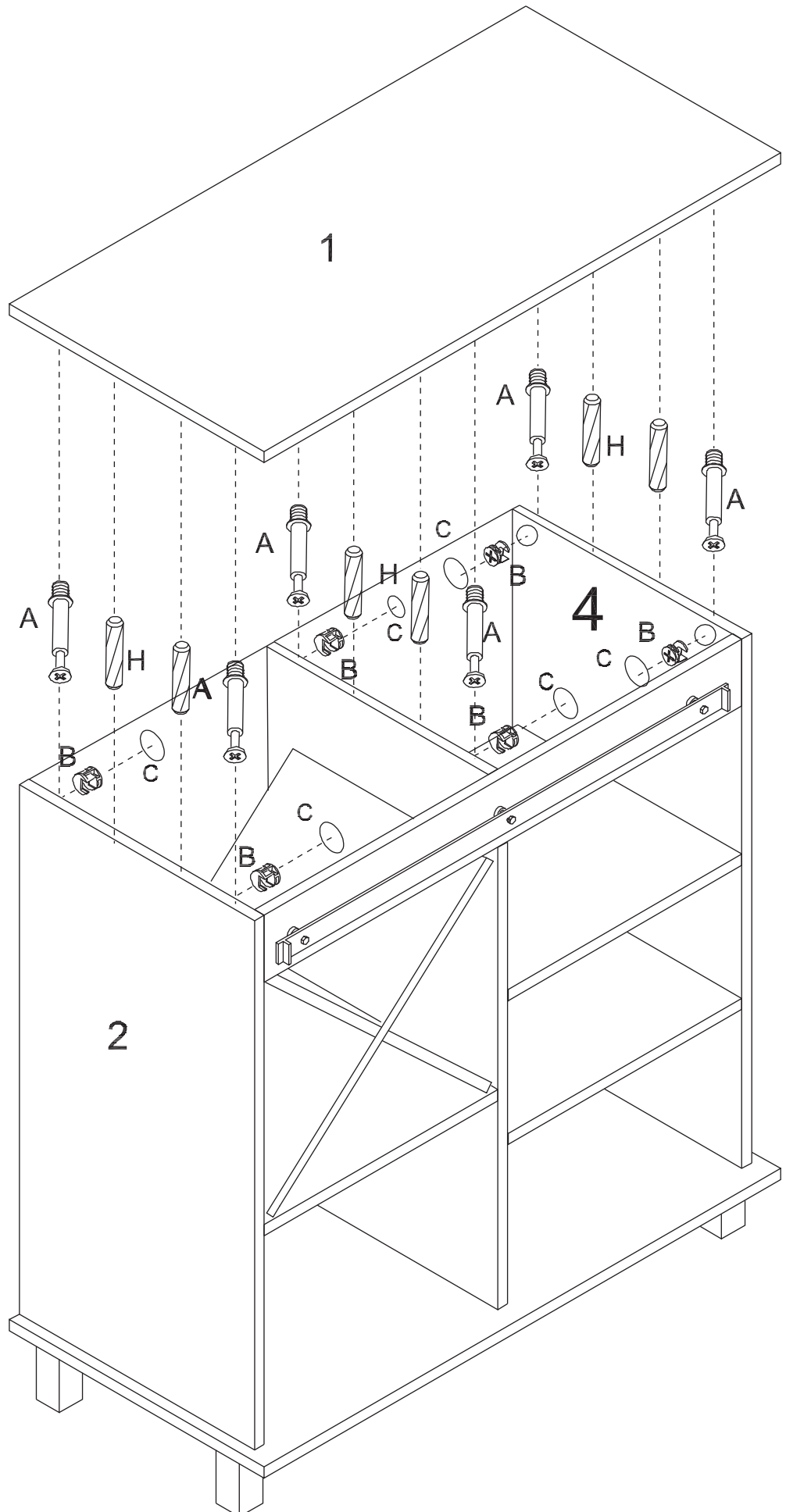


STEP 8

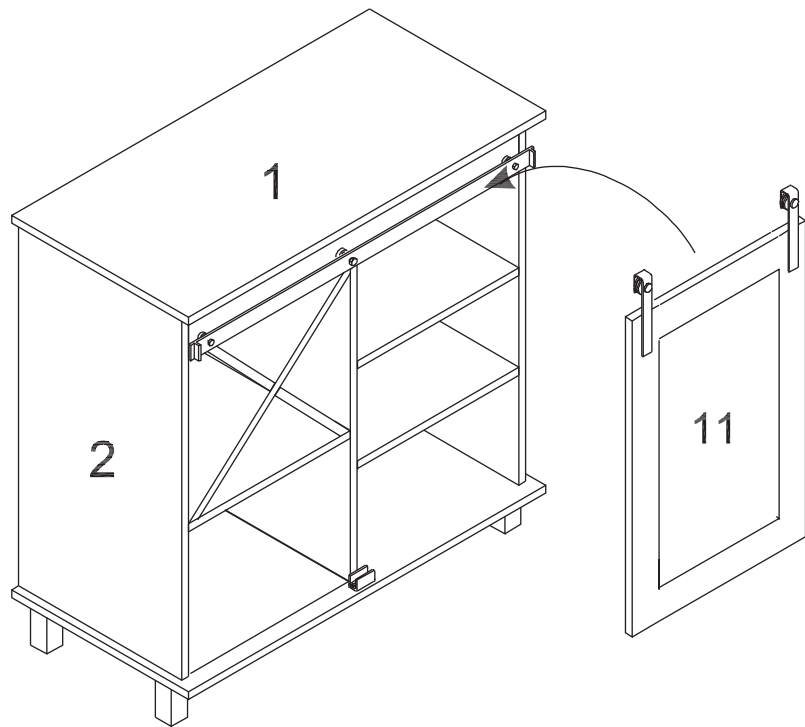


STEP 10

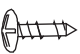

A x 6

B x 6

H x 6

C x 6


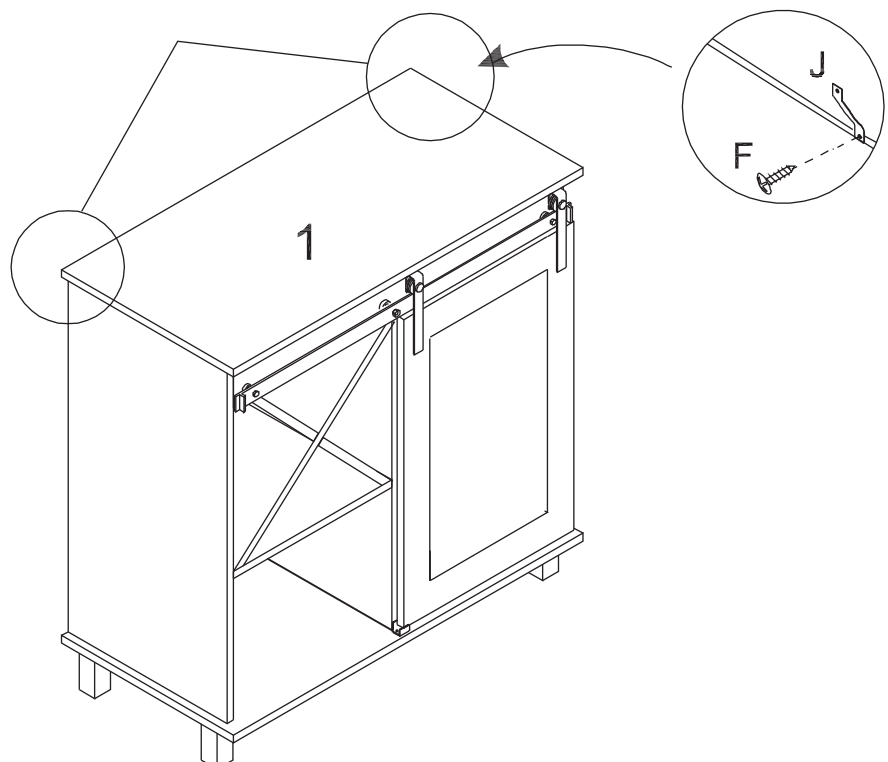


STEP 11



STEP 12

F x 2	J x 2
	



STEP 13

G x 2	I x 2
