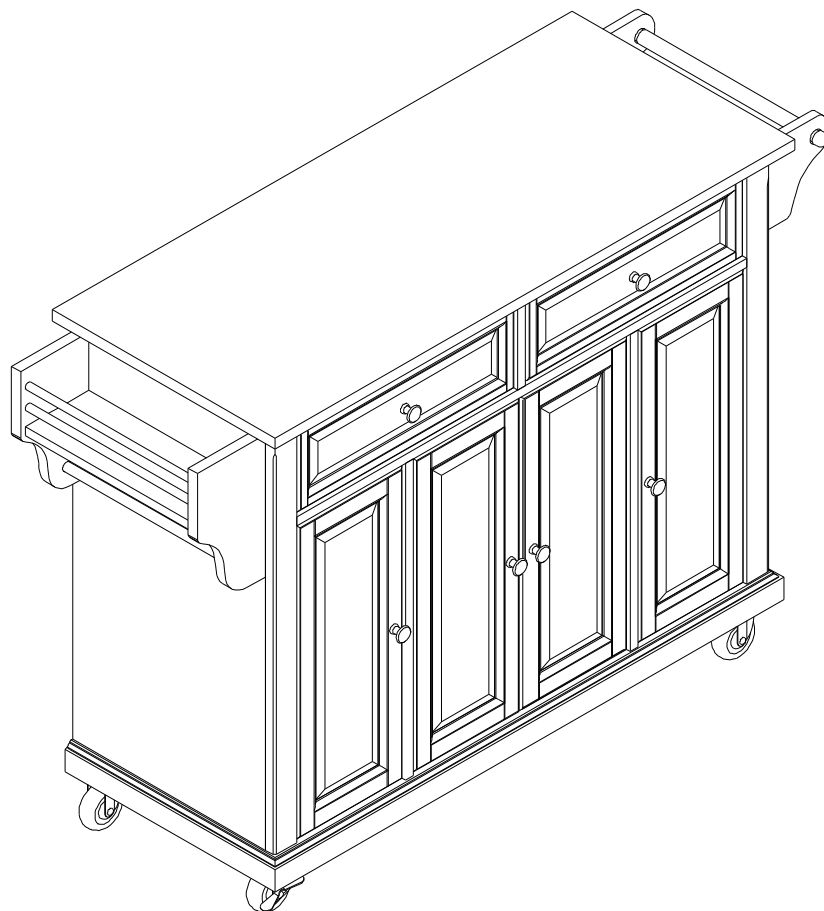
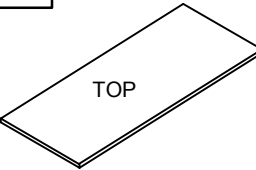
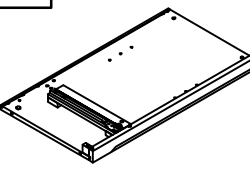
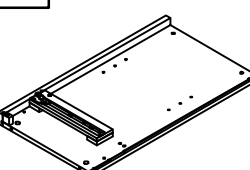
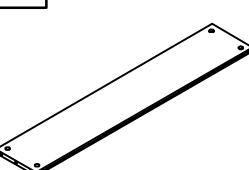
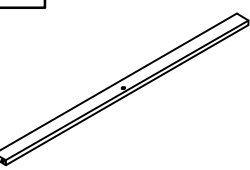
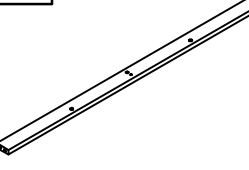
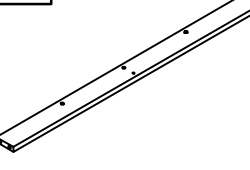
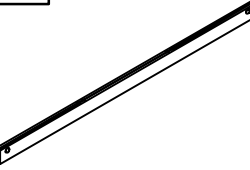
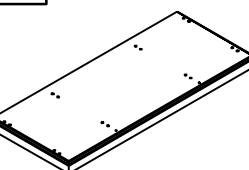
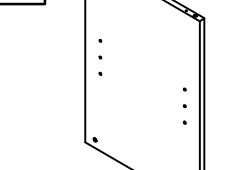
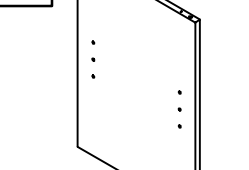
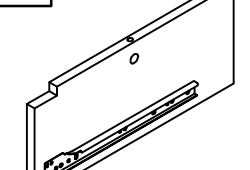
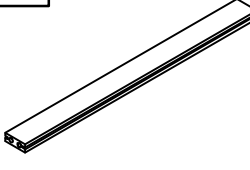
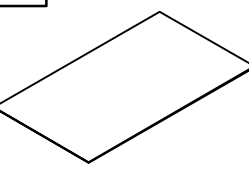
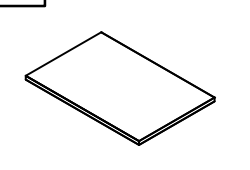
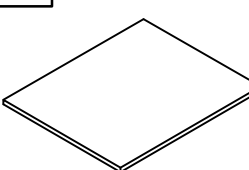
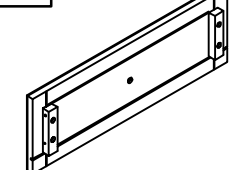
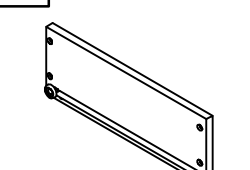
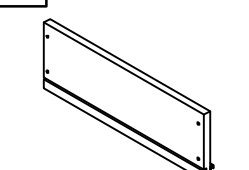
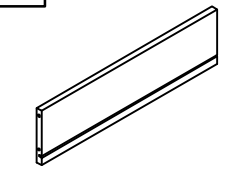
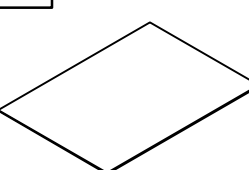
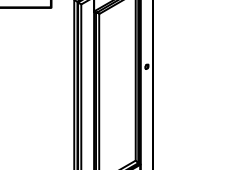
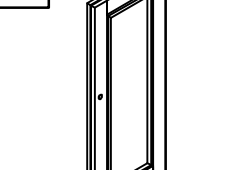
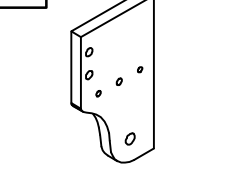
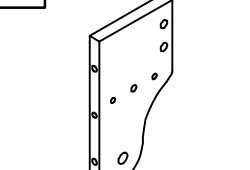


Kitchen Cart / Island Cabinet

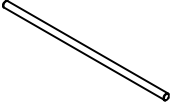
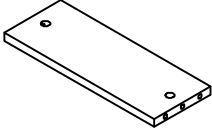
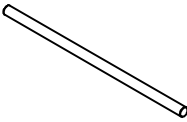
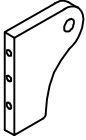
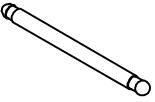
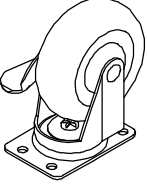
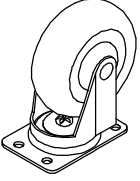


Care: Use a soft clean cloth that will not scratch the surface when dusting. Use of furniture polish is not necessary. Should you choose to use polishes, test in an inconspicuous area first. Use of solvents of any kind may damage your furniture's finish. To clean, simply use a soft clean cloth moistened with lukewarm water, then buff with a dry soft clean cloth.

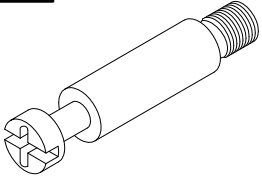
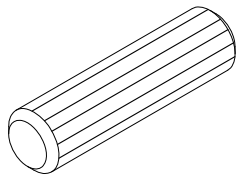
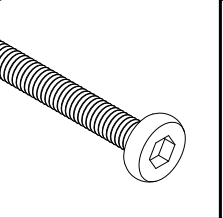
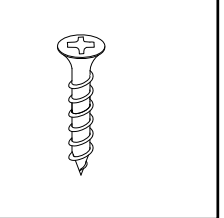
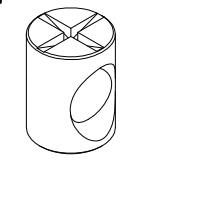
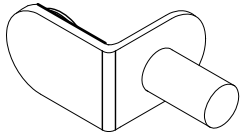
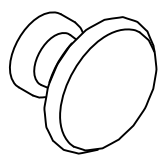
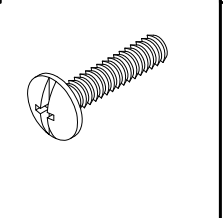
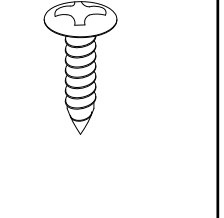
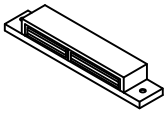
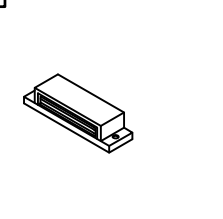
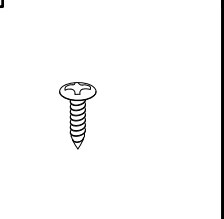
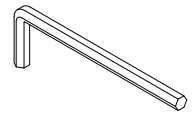
PART LIST

<p>A</p>  <p>TOP</p> <p>Ships in separate carton</p>	<p>B</p> 	<p>C</p> 	<p>D</p> 	<p>E</p> 
1 PC	1 PC	1 PC	1 PC	1 PC
<p>F</p> 	<p>G</p> 	<p>H</p> 	<p>I</p> 	<p>J</p> 
1 PC	1 PC	1 PC	1 PC	1 PC
<p>K</p> 	<p>L</p> 	<p>M</p> 	<p>N</p> 	<p>O</p> 
1 PC	1 PC	2 PCS	3 PCS	2 PCS
<p>P</p> 	<p>Q</p> 	<p>R</p> 	<p>S</p> 	<p>T</p> 
1 PC	2 PCS	2 PCS	2 PCS	2 PCS
<p>U</p> 	<p>V</p> 	<p>W</p> 	<p>X</p> 	<p>Y</p> 
2 PCS	2 PCS	2 PCS	1 PC	1 PC

PART LIST

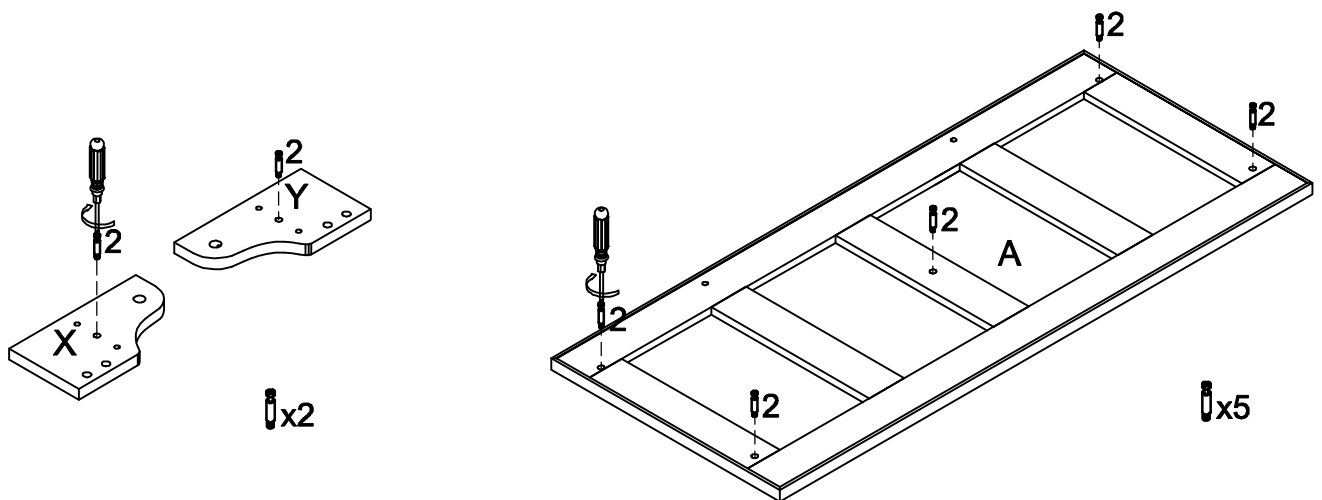
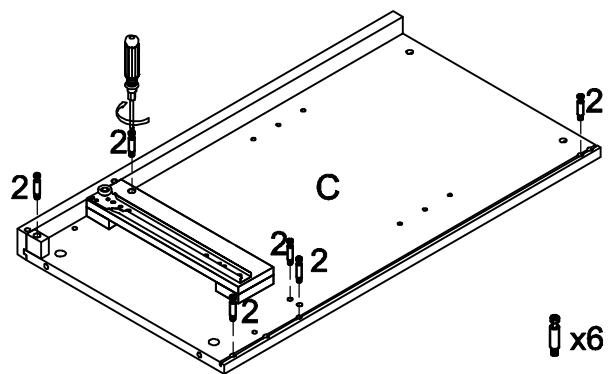
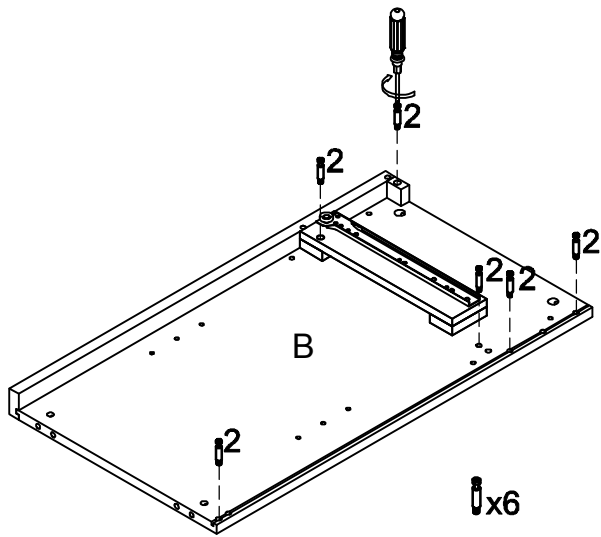
Z 	ZA 	ZB 	ZC 	ZD 
2 PCS	1 PC	1 PC	2 PCS	1 PC
ZE 	ZF 			
2 PCS	2 PCS			

HARDWARE LIST

<div data-bbox="113 123 172 174" style="border: 1px solid black; padding: 2px; text-align: center;">1</div> 	<div data-bbox="391 123 450 174" style="border: 1px solid black; padding: 2px; text-align: center;">2</div> 	<div data-bbox="671 123 730 174" style="border: 1px solid black; padding: 2px; text-align: center;">3</div> 	<div data-bbox="952 123 1011 174" style="border: 1px solid black; padding: 2px; text-align: center;">4</div> 	<div data-bbox="1233 123 1292 174" style="border: 1px solid black; padding: 2px; text-align: center;">5</div> 
<p style="text-align: center;">CAM LOCK 19 PCS</p>	<p style="text-align: center;">CAM BOLT 19 PCS</p>	<p style="text-align: center;">WOOD DOWEL 47 PCS</p>	<p style="text-align: center;">HEX SOCKET HEAD BOLT 14 PCS</p>	<p style="text-align: center;">SCREW 16 PCS</p>
<div data-bbox="113 521 172 573" style="border: 1px solid black; padding: 2px; text-align: center;">6</div> 	<div data-bbox="391 521 450 573" style="border: 1px solid black; padding: 2px; text-align: center;">7</div> 	<div data-bbox="671 521 730 573" style="border: 1px solid black; padding: 2px; text-align: center;">8</div> 	<div data-bbox="952 521 1011 573" style="border: 1px solid black; padding: 2px; text-align: center;">9</div> 	<div data-bbox="1233 521 1292 573" style="border: 1px solid black; padding: 2px; text-align: center;">10</div> 
<p style="text-align: center;">BARREL NUT 8 PCS</p>	<p style="text-align: center;">SHELF HOLDER 12 PCS</p>	<p style="text-align: center;">KNOB 6 PCS</p>	<p style="text-align: center;">ROUND HEAD BOLT 6 PCS</p>	<p style="text-align: center;">LARGE ROUND HEAD SCREW 16 PCS</p>
<div data-bbox="113 920 172 972" style="border: 1px solid black; padding: 2px; text-align: center;">11</div> 	<div data-bbox="391 920 450 972" style="border: 1px solid black; padding: 2px; text-align: center;">12</div> 	<div data-bbox="671 920 730 972" style="border: 1px solid black; padding: 2px; text-align: center;">13</div> 	<div data-bbox="952 920 1011 972" style="border: 1px solid black; padding: 2px; text-align: center;">14</div> 	<div data-bbox="1233 920 1292 972" style="border: 1px solid black; padding: 2px; text-align: center;">15</div> 
<p style="text-align: center;">DOUBLE MAGNET 1 PC</p>	<p style="text-align: center;">MAGNET 2 PCS</p>	<p style="text-align: center;">ROUND HEAD SCREW 6 PCS</p>	<p style="text-align: center;">ALLEN KEY 1 PC</p>	<p style="text-align: center;">LONG SCREW 7 PCS</p>

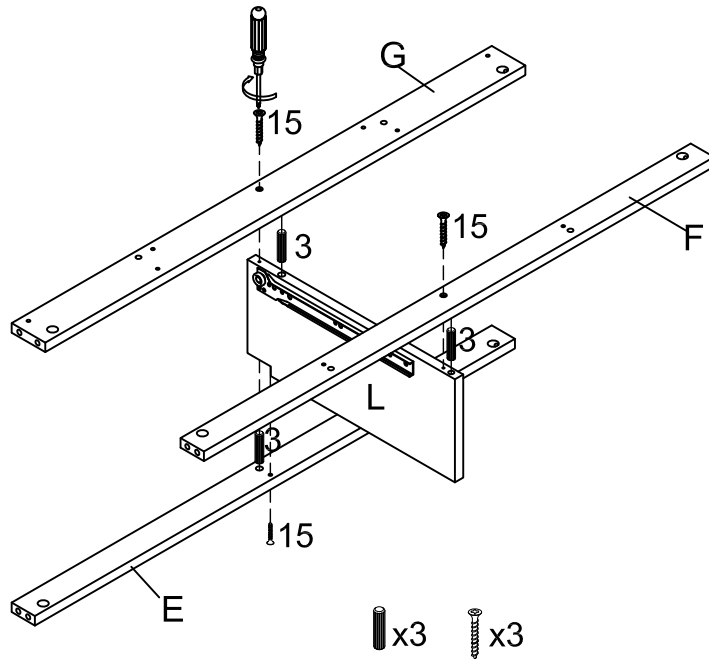
Tools needed: Allen key (part#14) (included)
Phillips Head Screw Driver (Not included)

Step 1. Insert Cam Bolts (part #2) into pre-drilled holes of parts A, B, C, X & Y using a Phillips head screw driver.

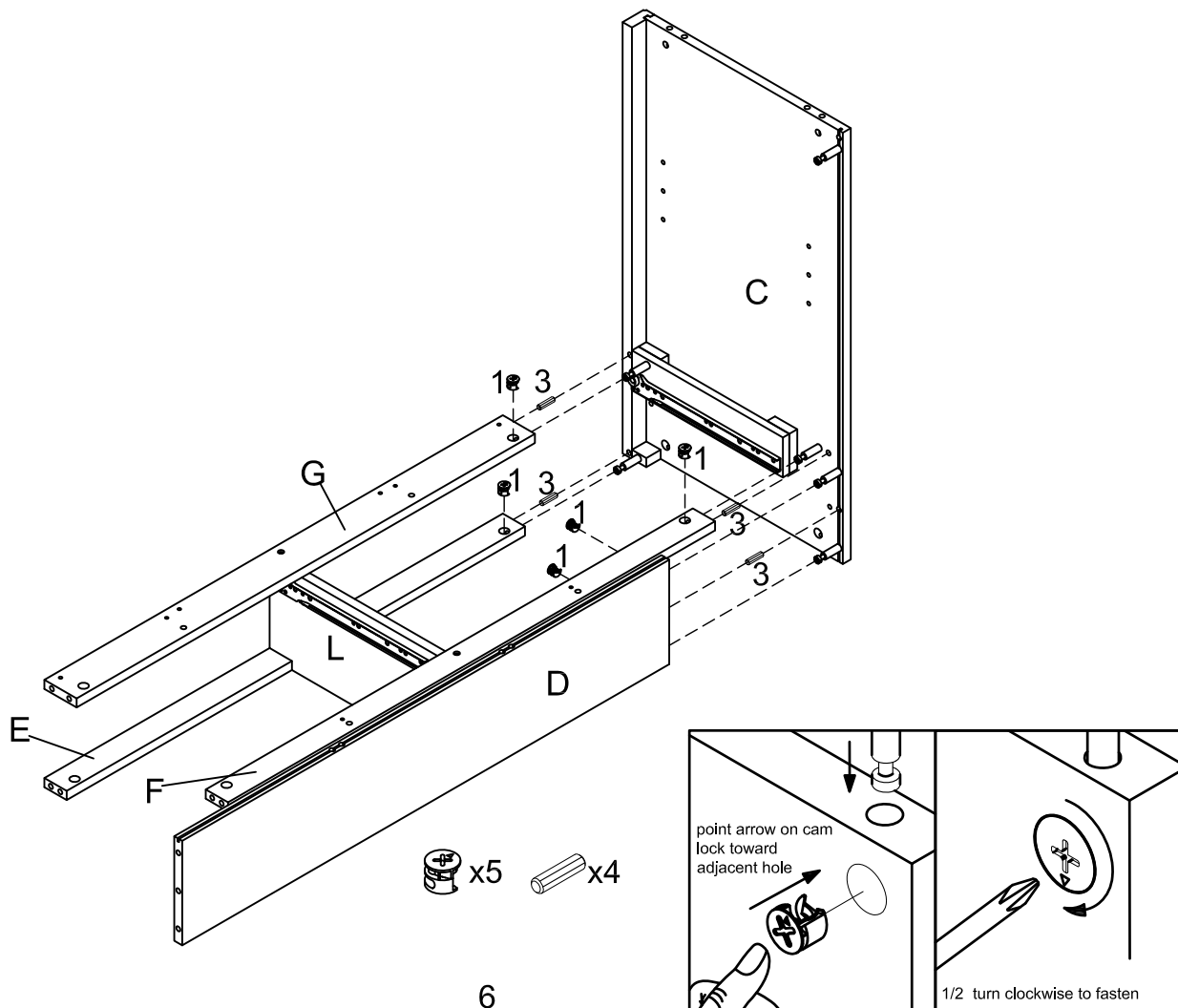


Step 2. Attach Rail E to the notched cutout in Center Panel L with Wood Dowels and Long Screw (Part #15) with Phillips Head screw driver as shown. With Rail E flat on ground, attach Rails G & F to Center Panel L with Wood Dowels and Long Screws (Part #15) with Phillips Head screw driver as shown.

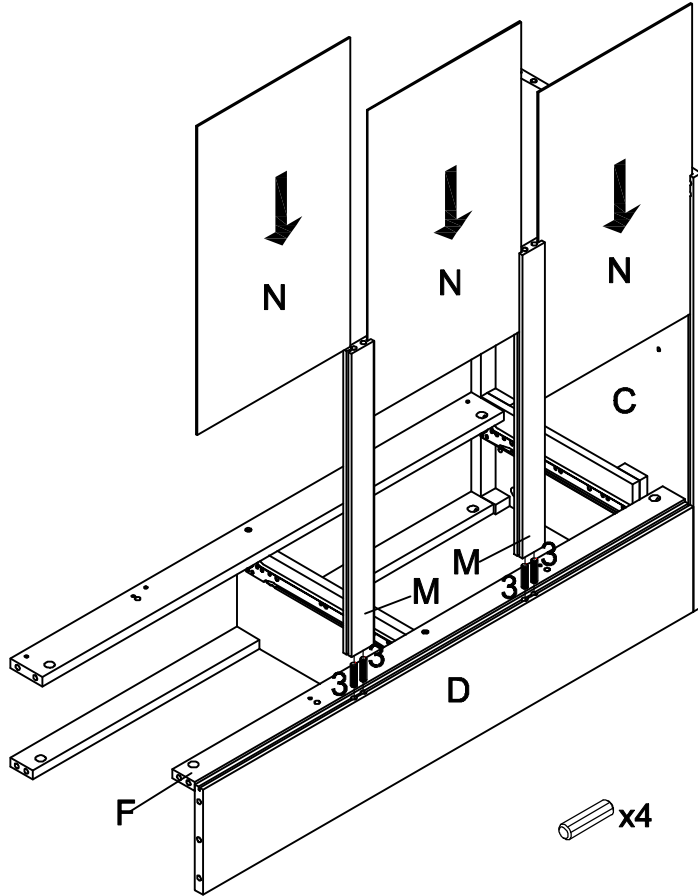
NOTE: Please ensure that wood screws are aligned with the pre-drilled holes in Panel L before tightening.



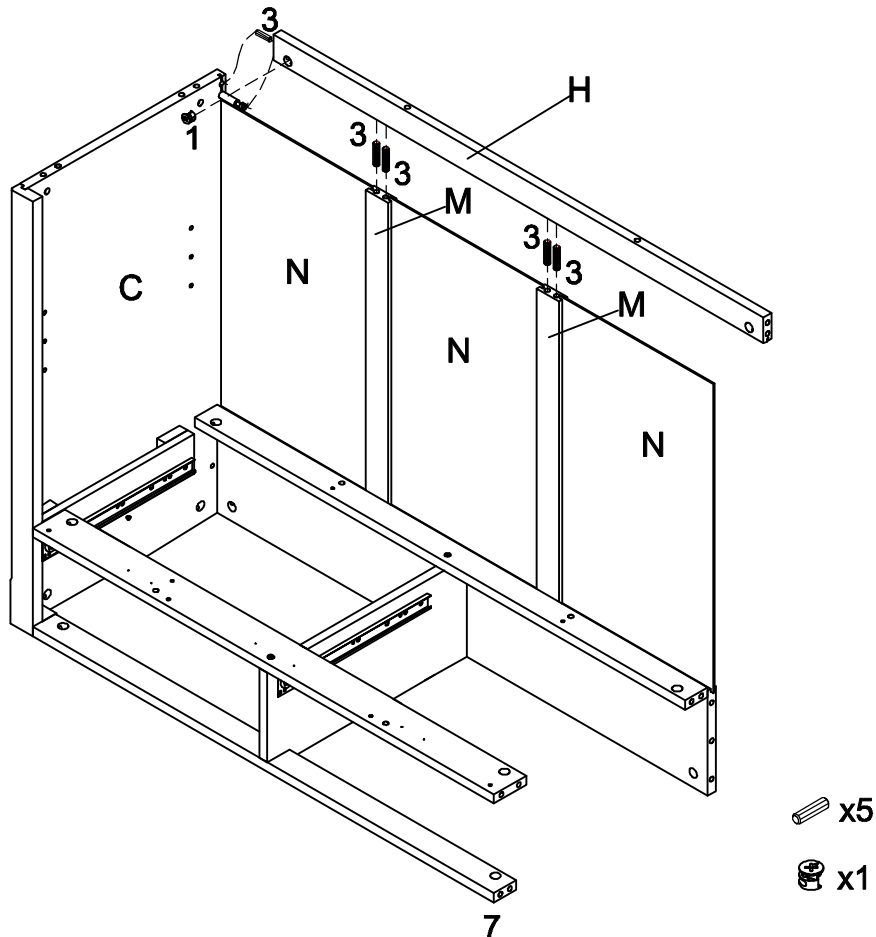
Step 3. Attach assembled parts E, F, G & L to Side Panel C with Wood Dowels & Cam Locks as shown. Attach Back Rail D to Side Panel C with Wood Dowels & Cam Locks as shown.



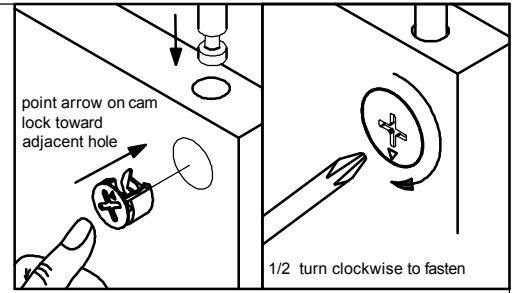
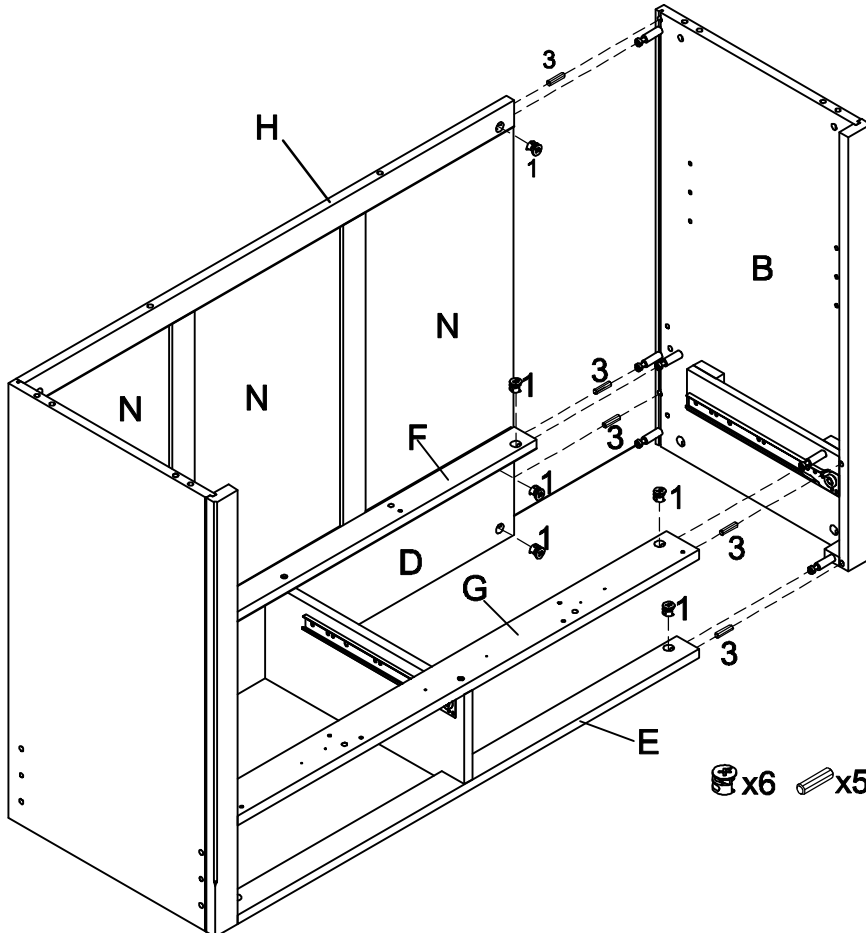
Step 4. Set Rails M into place on Back Rail D using Wood Dowels as shown. Slide Back Panels N into grooves of Parts C & M as shown.



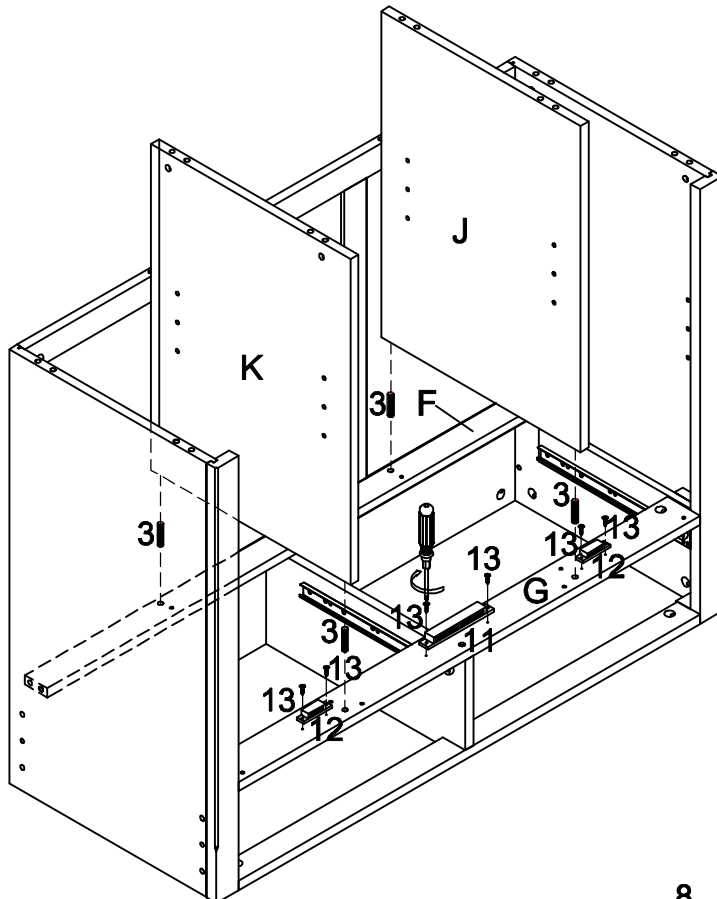
Step 5. Attach Rail H to Rails M & Side Panel C using Wood Dowels & Cam Lock as shown.



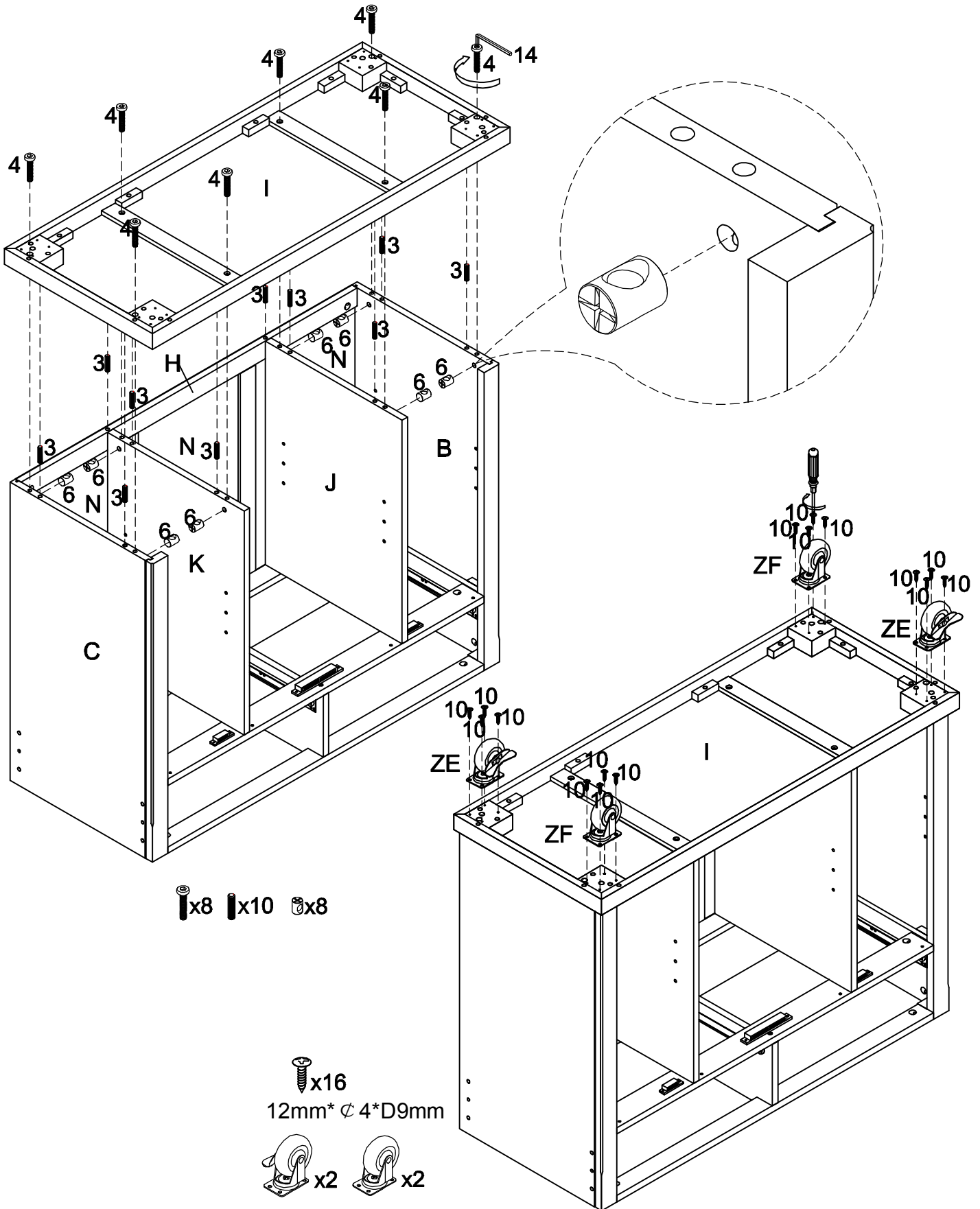
Step 6. Attach Side Panel B to Parts D, E, F, G, & H using Wood Dowels & Cam locks as shown.



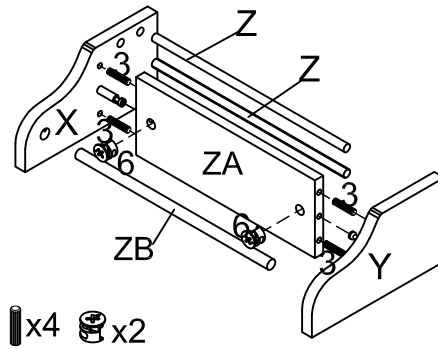
Step 7. Attach Double Magnet (Part #11) & Magnets (Part #12) to Rail G using Round Head Screws (Part #13) with Phillips Head screw driver as shown. Set Panels J & K into place on Rails F & G using Wood Dowels as shown.



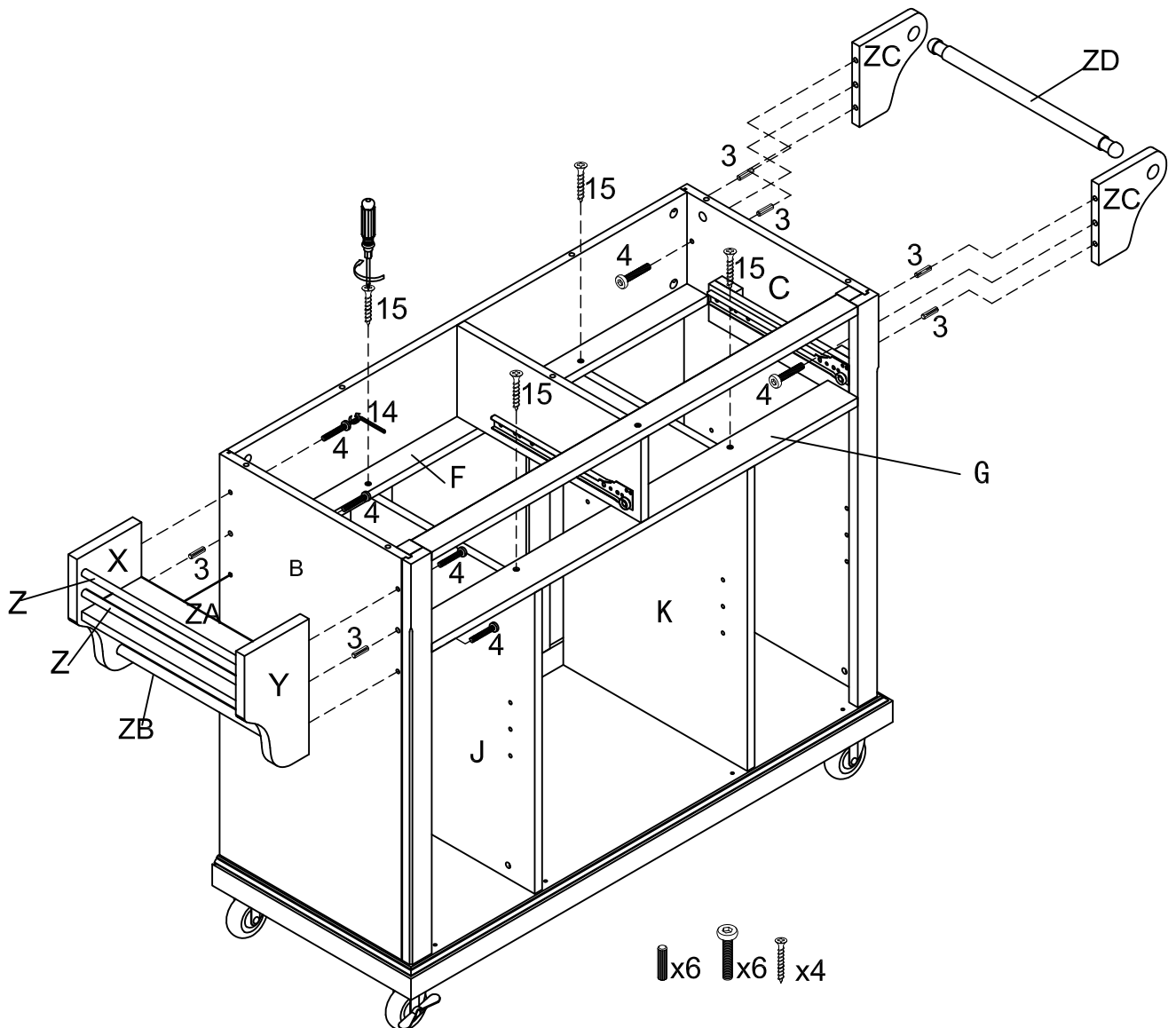
Step 8. Attach Base I to cabinet using Wood dowels, Hex Socket Head Bolts (Part #4) & Barrel nuts (Part #6) as shown. Attach Locking Casters (Part ZE) & Casters (Part ZF) to Base I, using Large Round Head Screws (Part #10) & Phillips Head screw driver as shown. **NOTE: IF YOU PURCHASED A KITCHEN ISLAND WITH WOOD LEGS, DO NOT ATTACH THE CASTERS.** Attach the wood legs using Hex Socket Head Bolts, & Wood Dowels (as shown in instruction manual included in carton with the legs). Carefully turn cabinet with legs or casters on the floor.



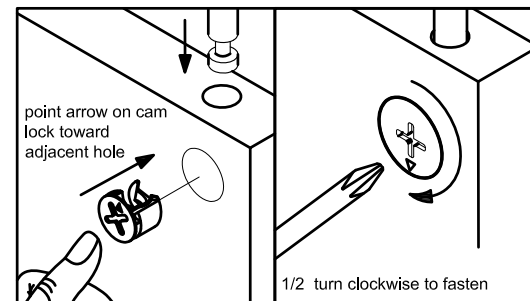
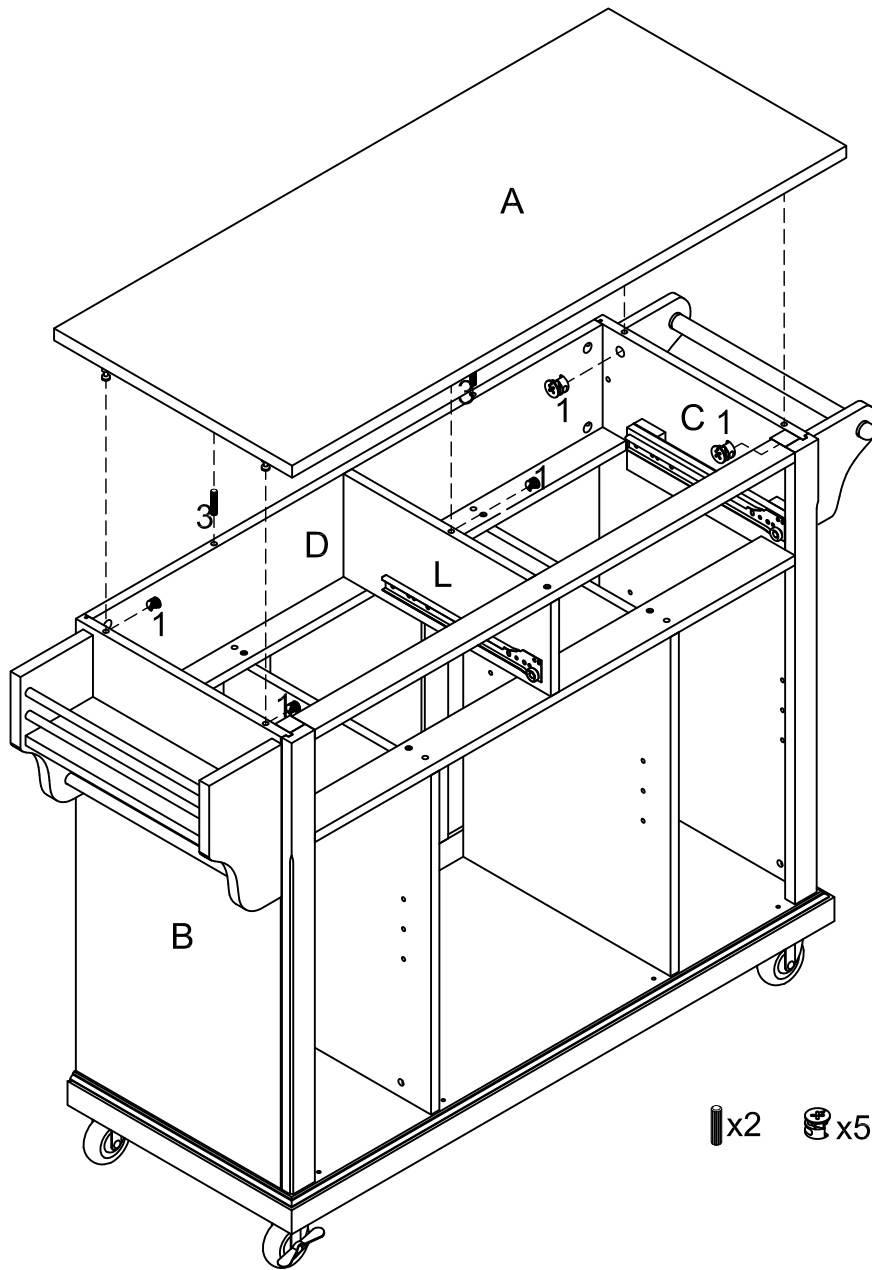
Step 9. Insert Wood Rods (Part ZB & Parts Z) into the pre-drilled holes in Part X as shown. Attach Part ZA to Part X using Wood Dowels and Cam Lock as shown. Attach Part Y to Parts Z, ZB, & ZA using Wood Dowels and Cam Lock as shown.



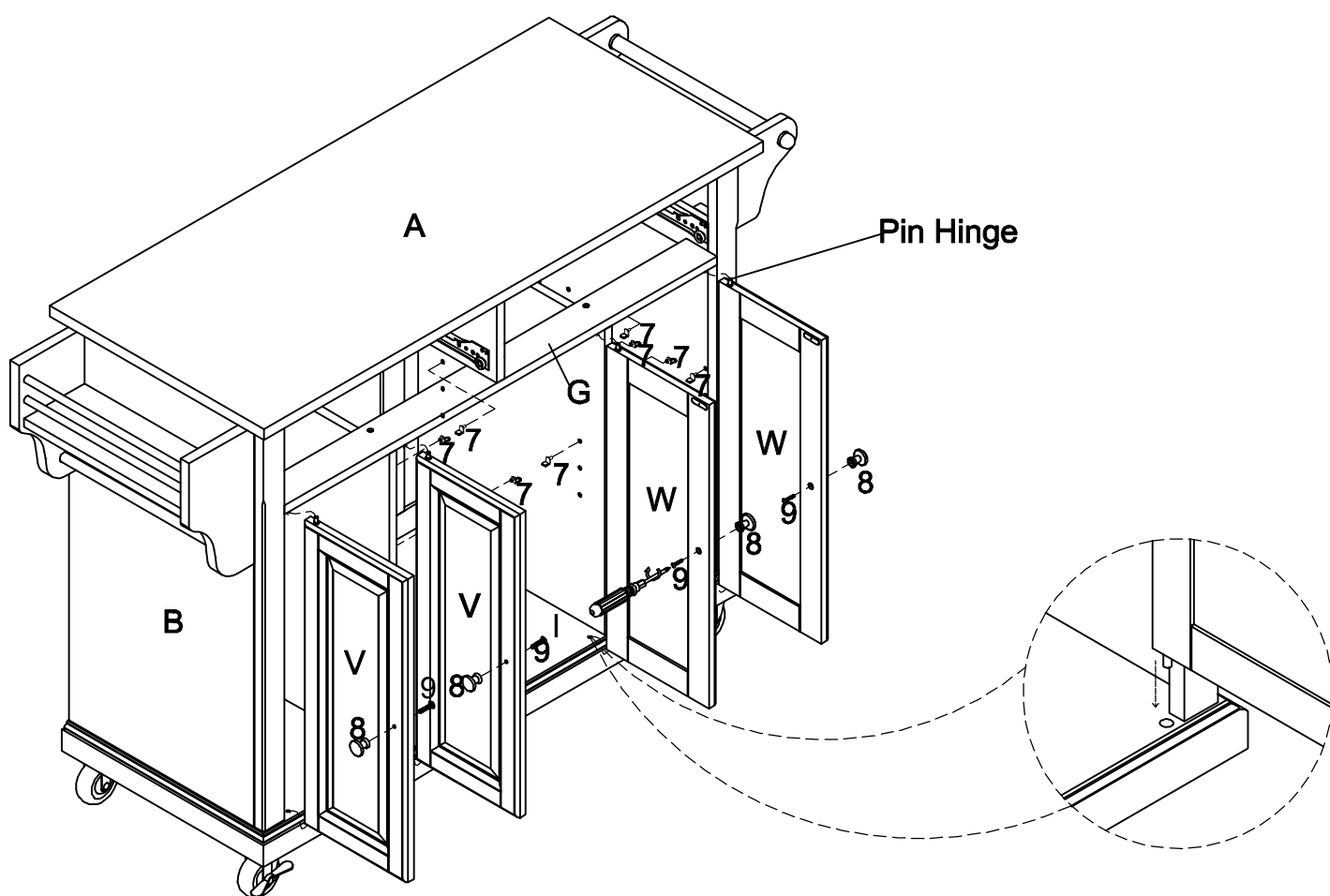
Step 10. Secure Panels J & K to Rails F & G using Long Screws (Part #15) & Phillips Head screw driver as shown. Attach Spice Rack (Assembled Parts X, Y, Z, & ZB) to Side Panel B using Hex Socket Head Bolts & Wood Dowels as shown. Attach Parts ZC (Towel Bar Sides) to Side Panel C using Hex Socket Head Bolts & Wood Dowels as shown. Insert Towel Bar (Part ZD) through the holes of Parts ZC. Note: Hex Socket Head Bolts will be inserted from the inside of the cabinet.



Step 11. Attach Top A to cabinet using Wood Dowels & Cam locks as shown.
Top A ships separately in a different carton than the cabinet.



Step 12. Attach Hardware Knobs to Doors (Parts V & W) using Round Head Bolts (Part #9) & Phillips Head screw driver as shown. Attach doors to cabinet by placing bottom Pin Hinge into pre-drilled holes in Base I & depressing top spring loaded Pin Hinge to fit door into place in Rail G. **Note: Be sure Pin Hinges (top & bottom) have fully extended into the pre-drilled holes in Base I and Rail G to secure doors into place. Insert the Shelf Holders (Part #7) into desired position.**



 x4
  x4
  x12

Step 13 Assemble drawers by Attaching Drawer Front Q to Drawer Sides S & R using Screws (Part #5) & Phillips Head screw driver as shown. **NOTE: BE SURE THAT THE WHEELS ON DRAWER GLIDES ARE AT THE OPPOSITE SIDE OF THE DRAWER FRONT.** Insert Bottom Panel U into the grooves of Parts S, R & Q. Attach Back Panel T to Parts S & R using Screws (Part #5) & Phillips Head screw driver as shown. Repeat this step for the other drawer. Insert drawers and shelves into cabinet as shown in diagram on page 14.

