

**32/36/46/52 INCH CEILING FAN
WITH LIGHT USER MANUAL**





WARNING

WARNING: To avoid fire, shock and serious personal injury, please read the following instructions carefully.




Important Safety Instructions



1. Read all instructions and safety information before installing your new fan. Review the accompanying assembly diagrams.
2. Before installing the fan, disconnect the power by removing fuses or turning off circuit breakers.
3. Make sure all electrical connections comply with local codes, ordinances, or National Electrical Codes. Hire a qualified electrician or consult a do-it-yourself wiring handbook if you are unfamiliar with installing electrical wiring.
4. Make sure the installation site you choose allows the fan blades to rotate without any obstructions. Allow a minimum clearance of 7 feet from the floor to the trailing edge of the blades.
5. If you are mounting the fan on a ceiling outlet box, use a metal outlet box. Secure the box directly to the building structure. The outlet box and its support must be able to support the moving weight of the fan (at least 50 lbs.). Do not use a plastic outlet box. Attach the mounting bracket by using the hardware supplied with the ceiling outlet box.
6. If you are mounting the fan to a joist, make sure it is strong enough to support the moving weight of the fan (at least 50 lbs.).
7. After installing the fan, make sure all the connections are secured. This will prevent the fan from falling.
8. Do not insert anything into the fan blades while the fan is operating.
9. Turn the fan off and wait for it to stop before reversing fan direction.
10. To reduce risk of electrical shock and personal injury, do not install the fan on a sloped ceiling.
11. To reduce the risk of electrical shock and personal injury, do not use this fan with any solid-state.
12. To reduce risk of personal injury, use only the two steel screws and lock washers provided with the fan for mounting the outlet box.



Table of Contents

SAFETY PRECAUTIONS.....	1
ASSEMBLY DRAWING & PARTS LIST-WITH LIGHT-32in/36in/46in.....	2
HOW TO INSTALL THE FAN WITH LIGHT-32/36/46IN.....	3-5
ASSEMBLY DRAWING & PARTS LIST-WITH LIGHT-32in/36in/46in.....	6
HOW TO INSTALL THE FAN WITH LIGHT-32/36/46IN.....	7-9
INSTALL THE CEILING BRACKET.....	10
MAKE THE ELECTRIC CONNECTIONS.....	11
INSTALLATION COMPLETED.....	12
REMOTE CONTROL SETTING AND OPERATING.....	13-14
APP INSTRUCTIONS.....	15

Product Instruction

Mounting Bracket  Safety hook 
 Ceiling Panel Screws 

Screws 
 Canopy 

Fan Motor Assembly 
 Blades*5 

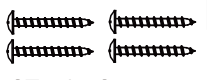


Screws for Blade*10 

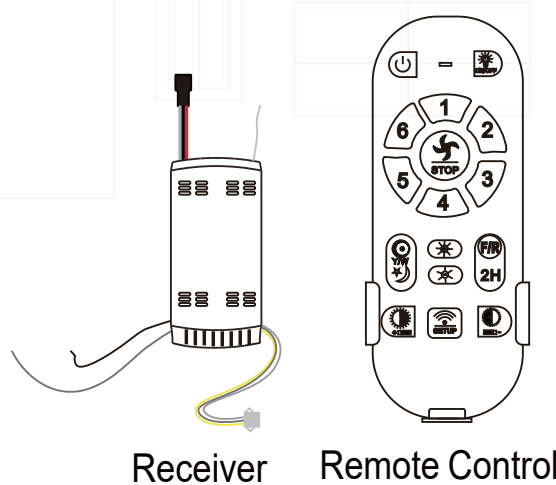
Lighting Base 

Lighting Base screws 

Light source 

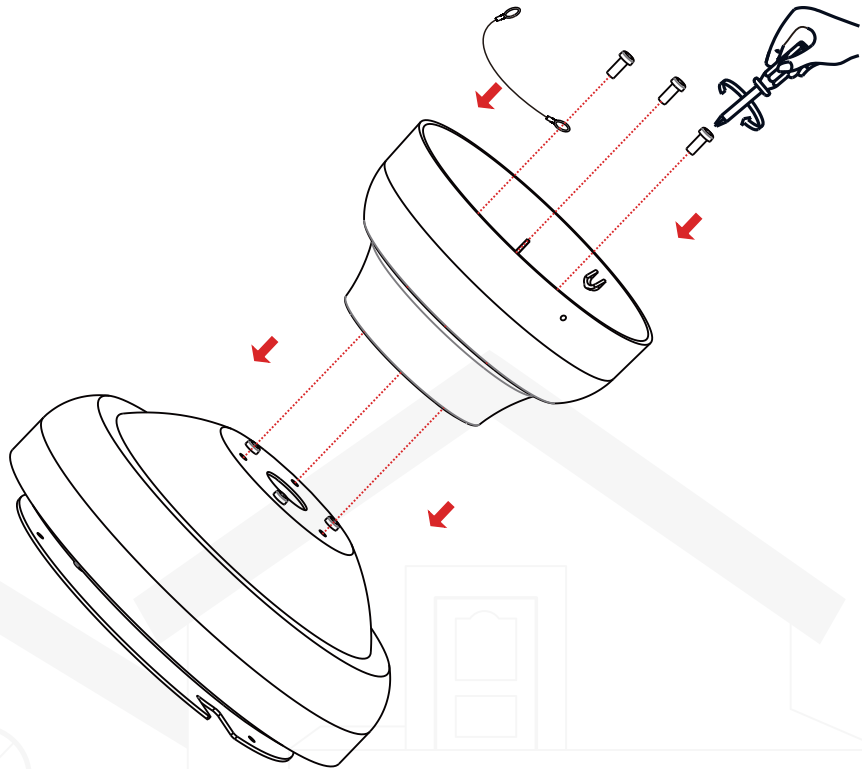
Lamp Shade 

Item no.	Reference Image	Qty.
1	 ST5x35 Setscrew	x4
2	 Expansion Screw	x2
3	 Screws for Blades	x10



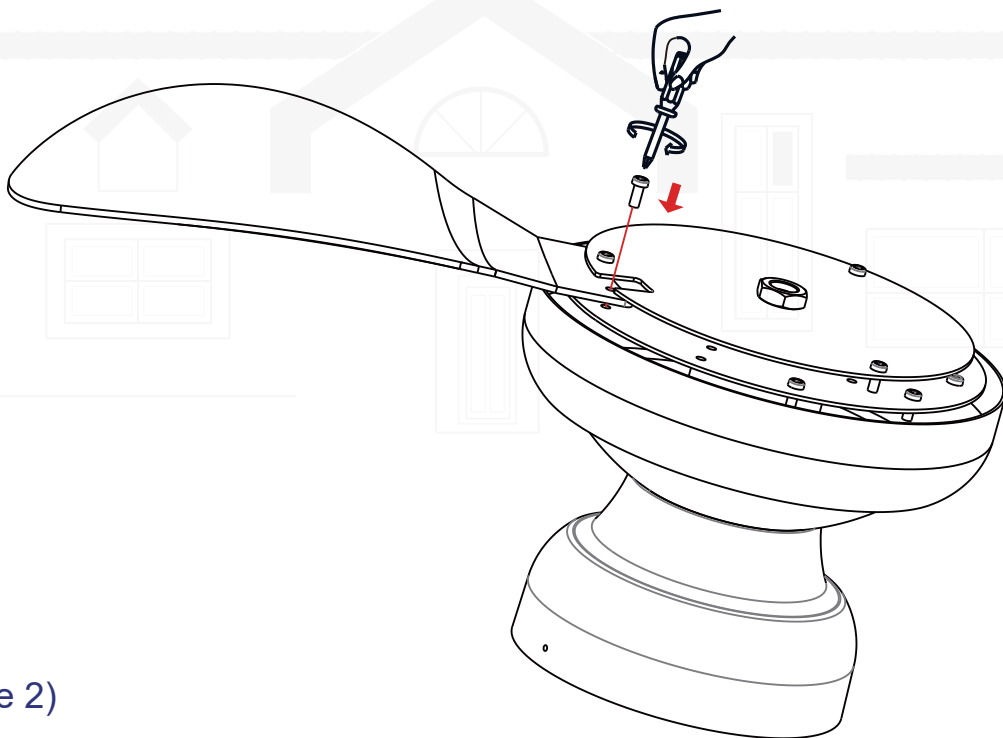
HOW TO INSTALL THE FAN WITH LIGHT-32/36/46IN

1: Install Canopy onto the motor



(Figure 1)

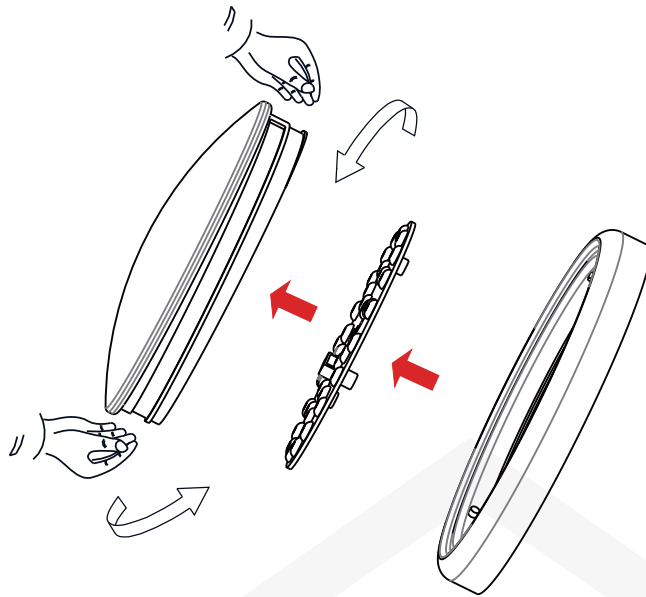
2: Installation and disassembly of blades



(Figure 2)

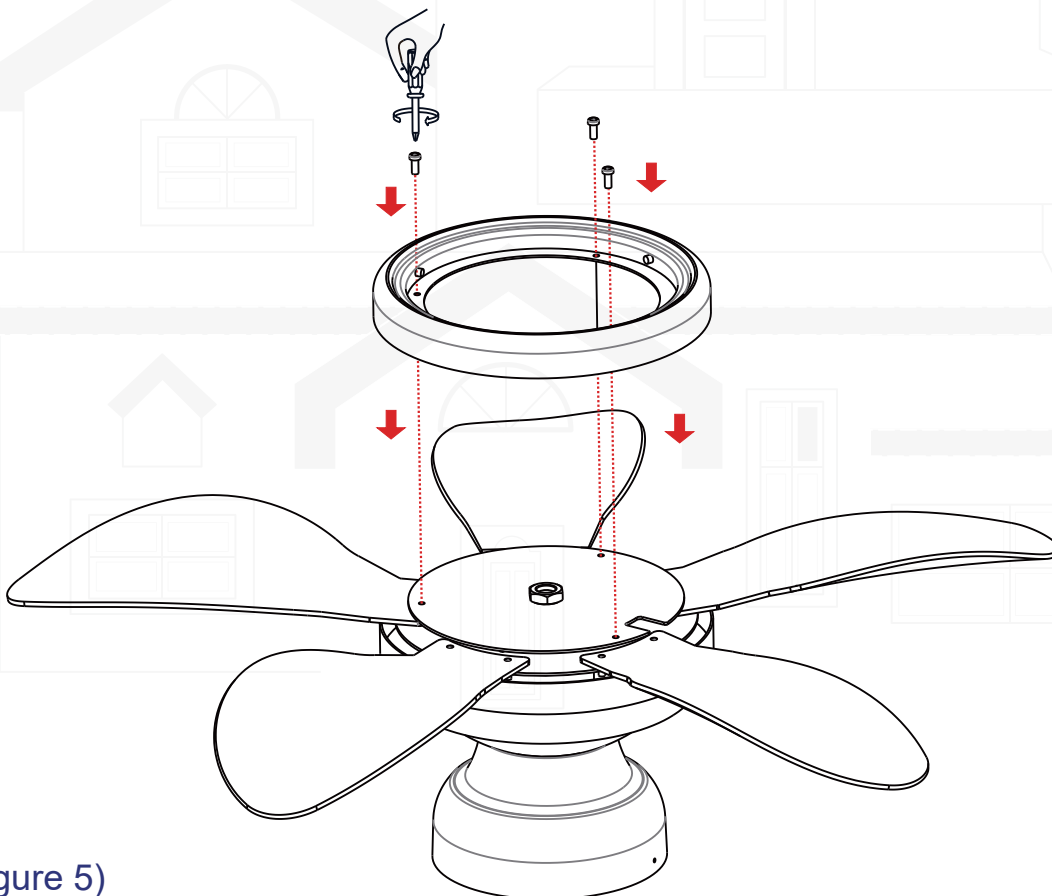
HOW TO INSTALL THE FAN WITH LIGHT-32/36/46IN

3: Remove the lampshade and light source from the light source box in sequence, and set them aside for future use



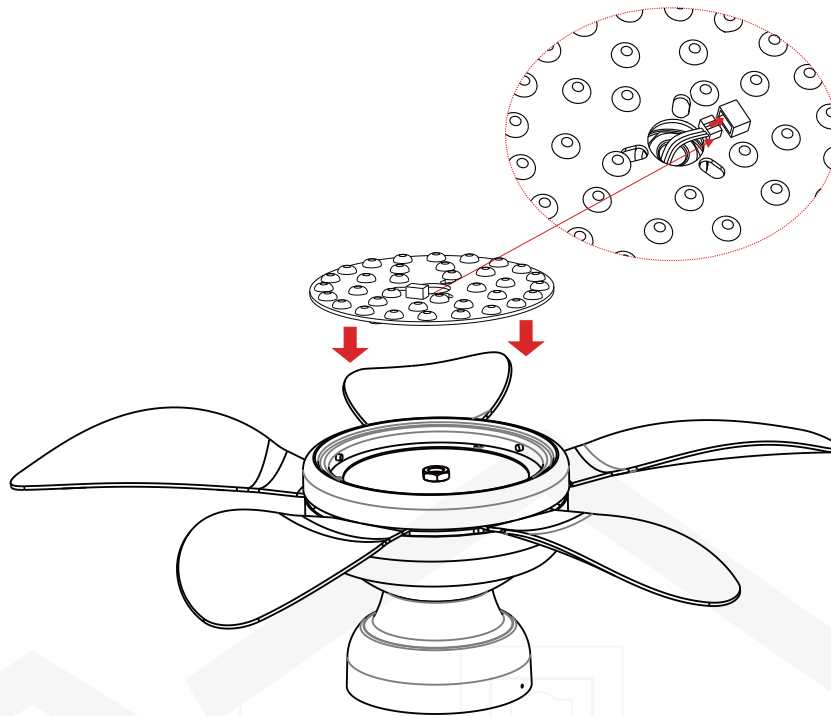
(Figure 3)

5: Remove the screws at the bottom of the motor in sequence and install the light source box onto the motor



(Figure 5)

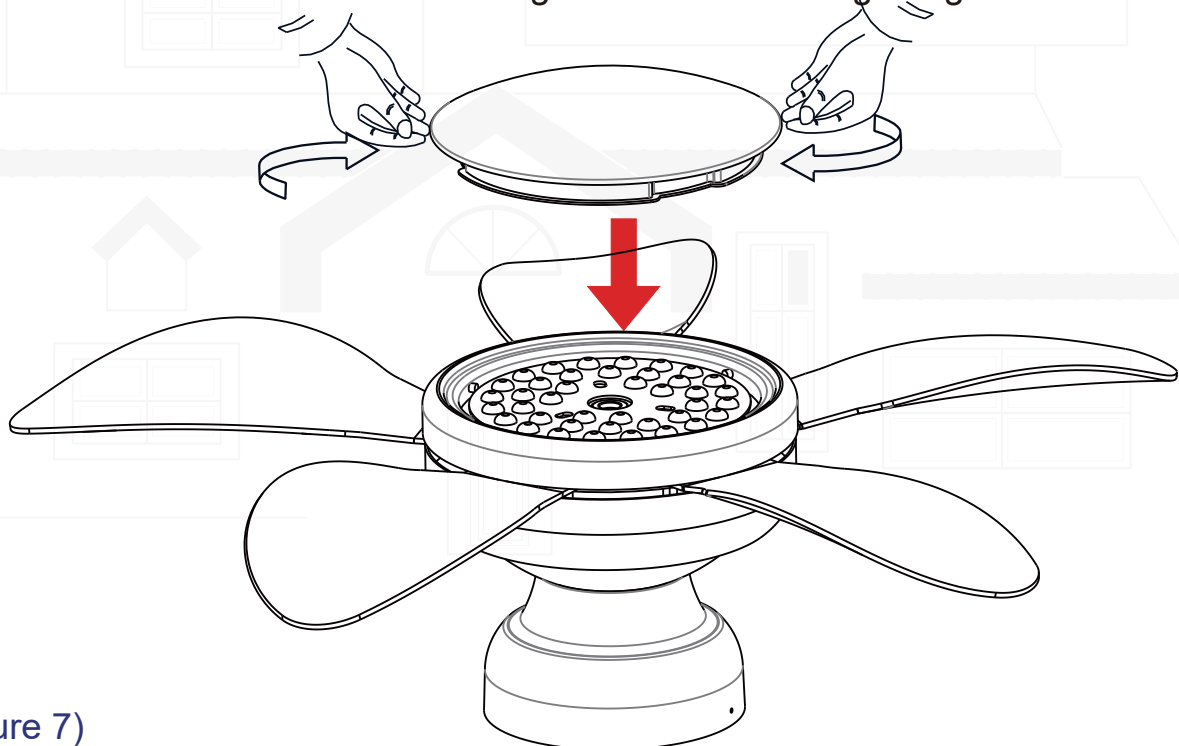
6: Insert the power cord through the LED patch light source and connect it to the LED patch light source. Fix the LED patch light source upwards onto the lamp body



(Figure 6)

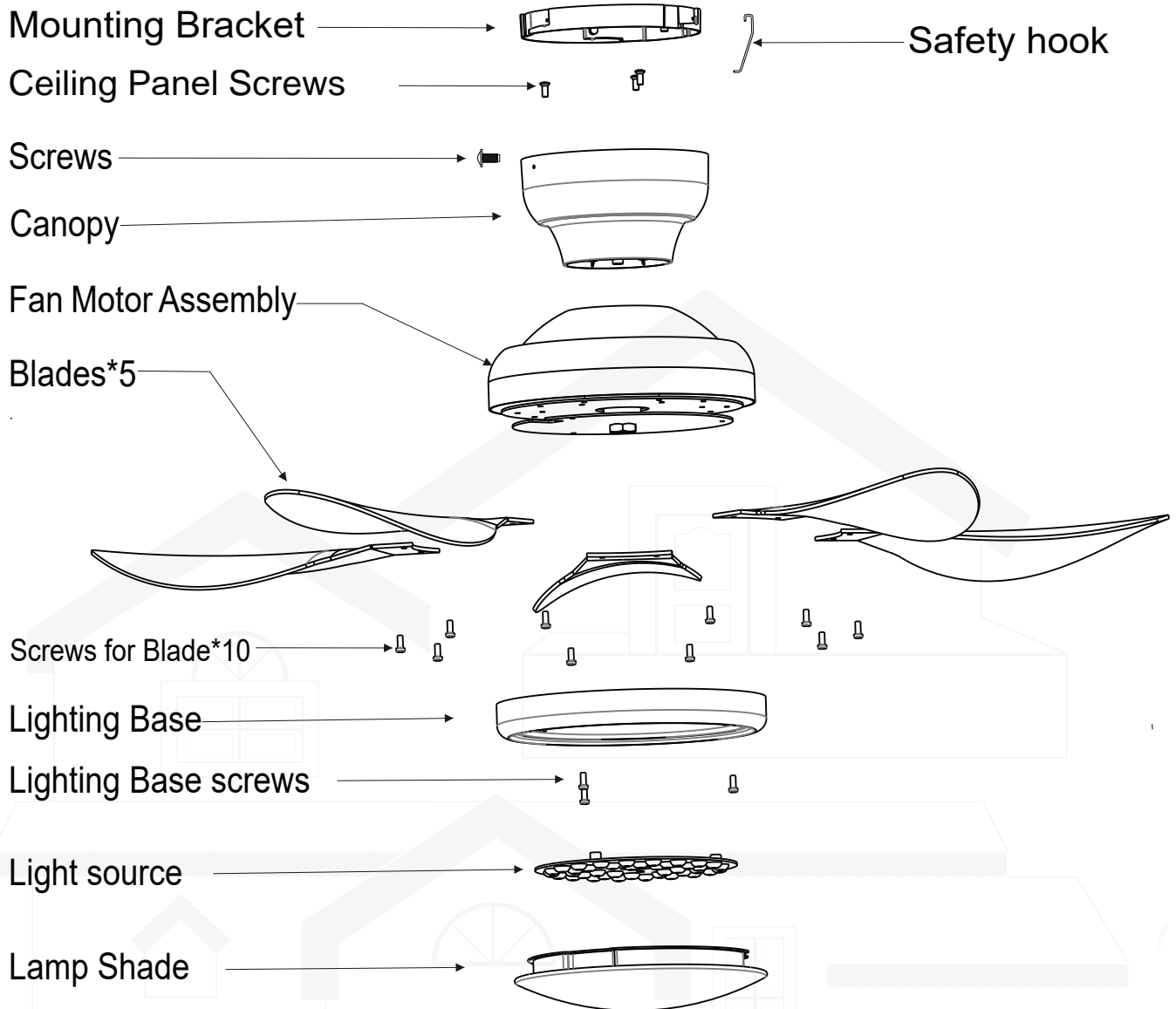
7: Installing Lamp shade

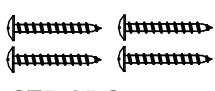
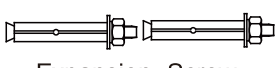

⚠ WARNING Take care not to over tighten when installing the glass shade

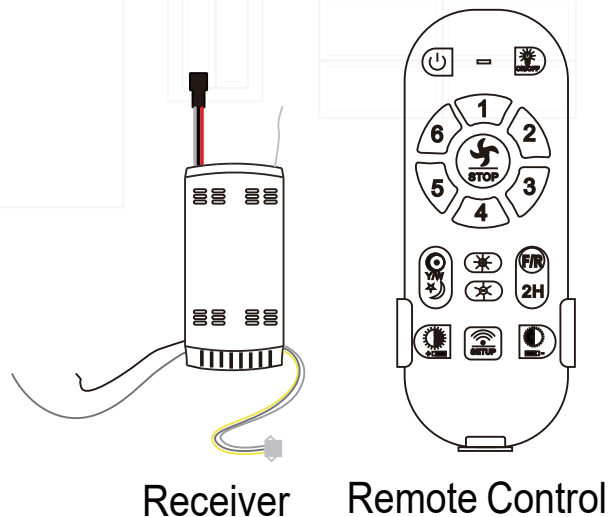


(Figure 7)

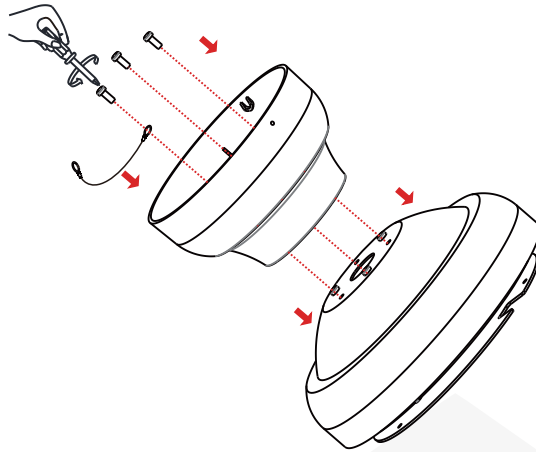
Product Instruction



Item no.	Reference Image	Qty.
1	 ST5x35 Setscrew	x4
2	 Expansion Screw	x2
3	 Screws for Blades	x10

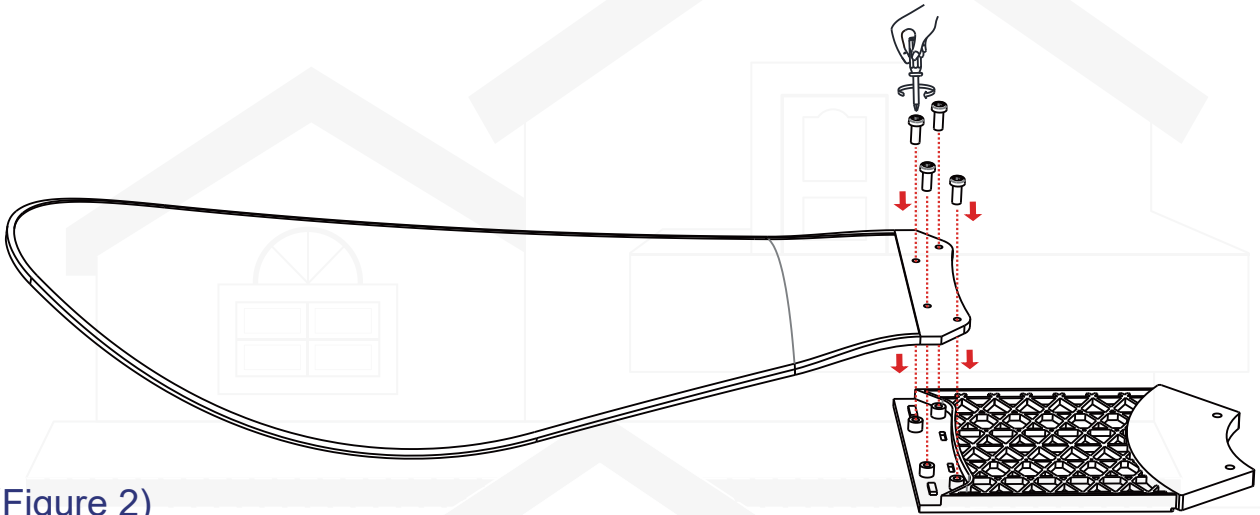


1: Install Canopy onto the motor



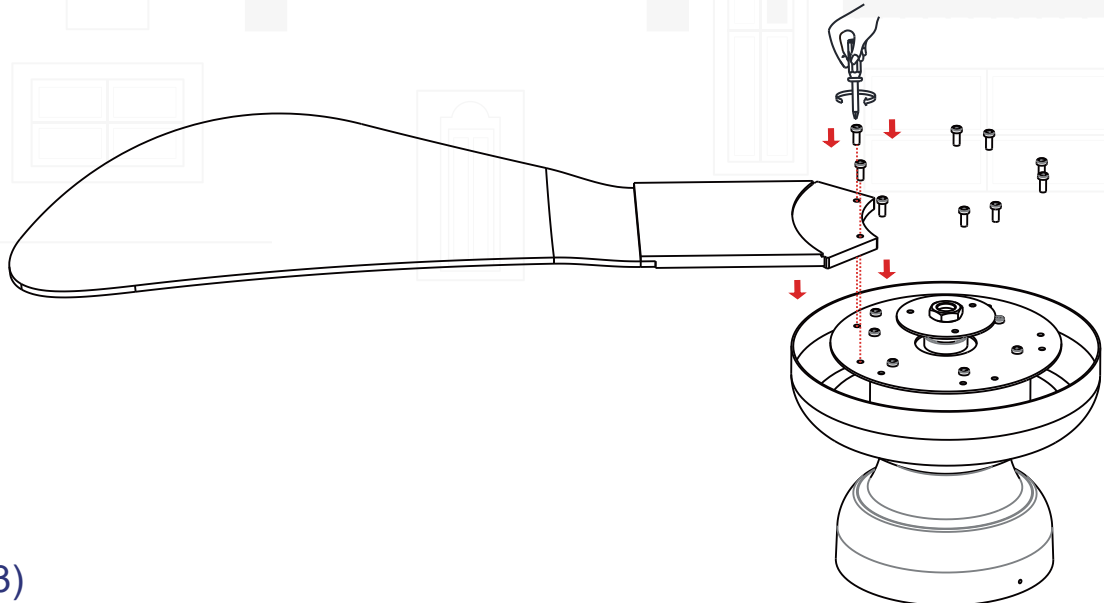
(Figure 1)

2: Fix the fan blades and forks with screws



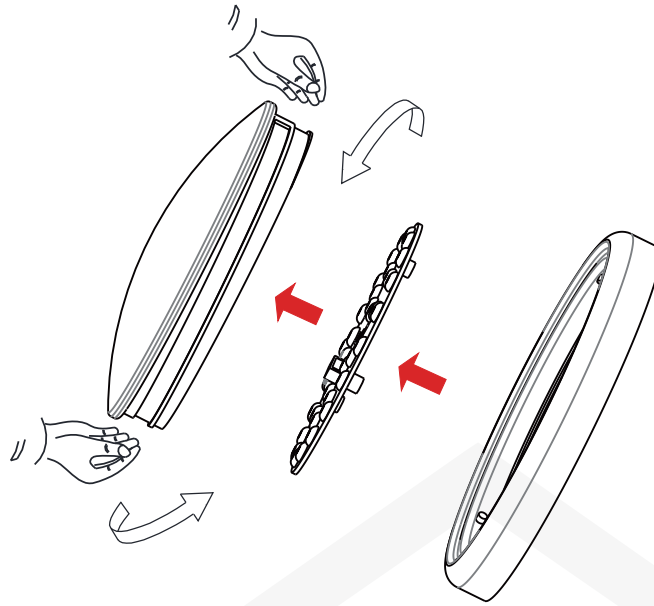
(Figure 2)

3: Assemble the blade assembly with the screws provided.



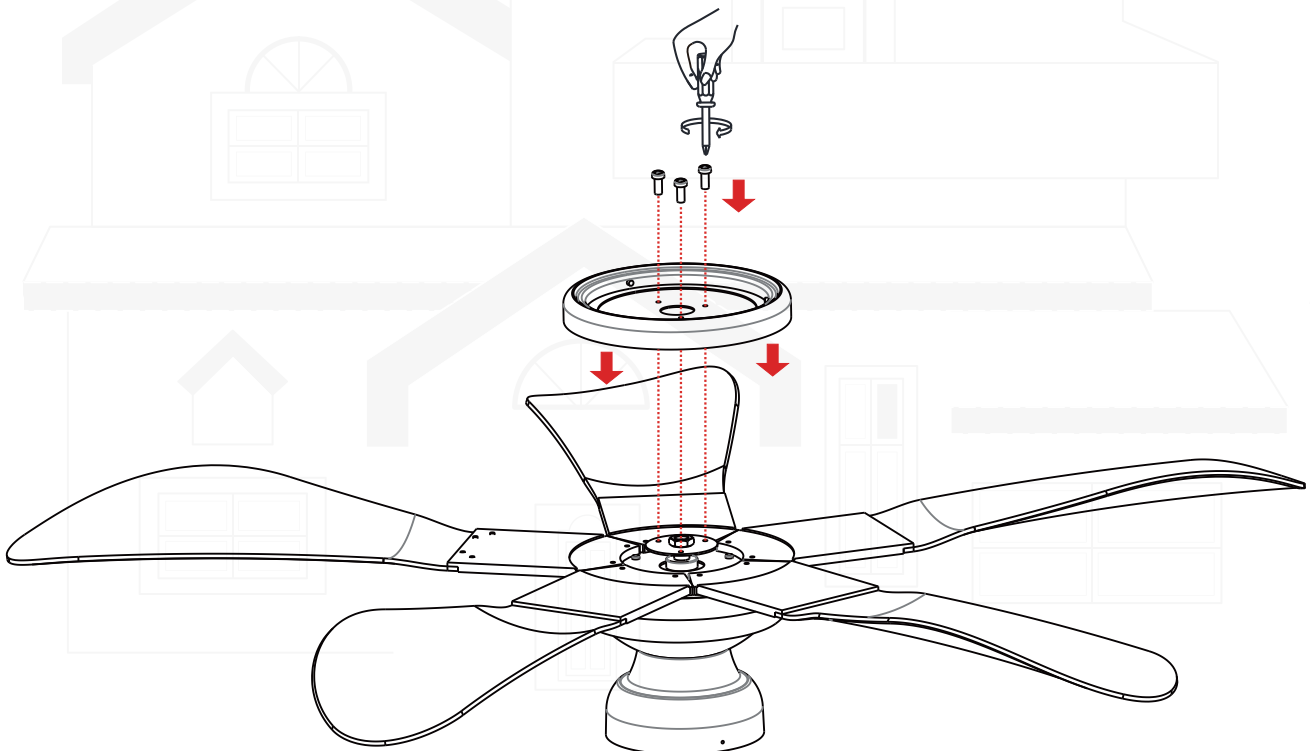
(Figure 3)

4: Remove the lampshade and light source from the light source box in sequence, and set them aside for future use



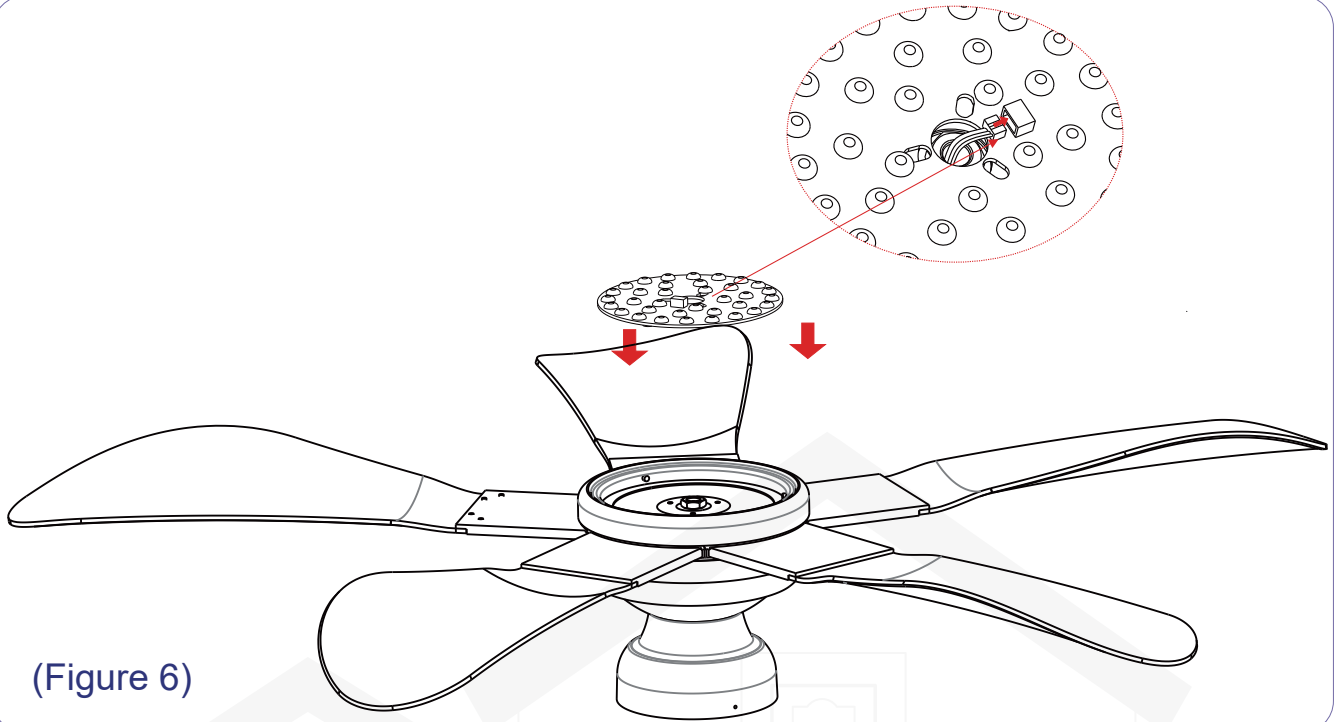
(Figure 4)

5: Remove the screws at the bottom of the motor in sequence and install the light source box onto the motor



(Figure 5)

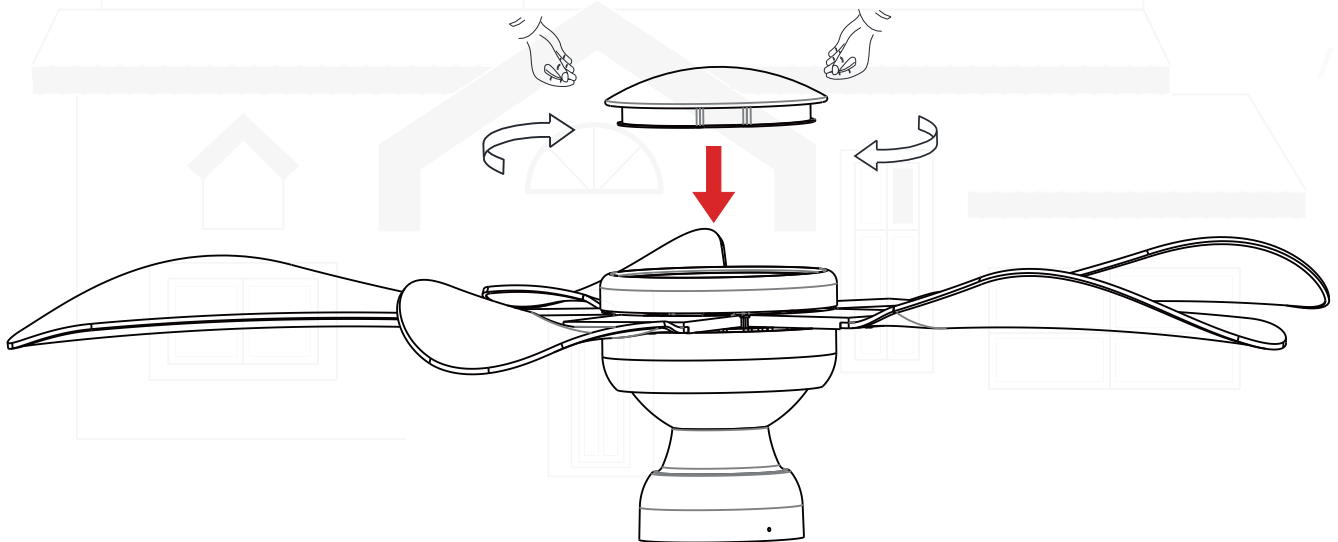
6: Insert the power cord through the LED patch light source and connect to the LED patch light source. Fix the LED patch light source upwards onto the lamp body.



(Figure 6)

7: Installing Lamp shade

⚠ WARNING Take care not to over tighten when installing the glass shade



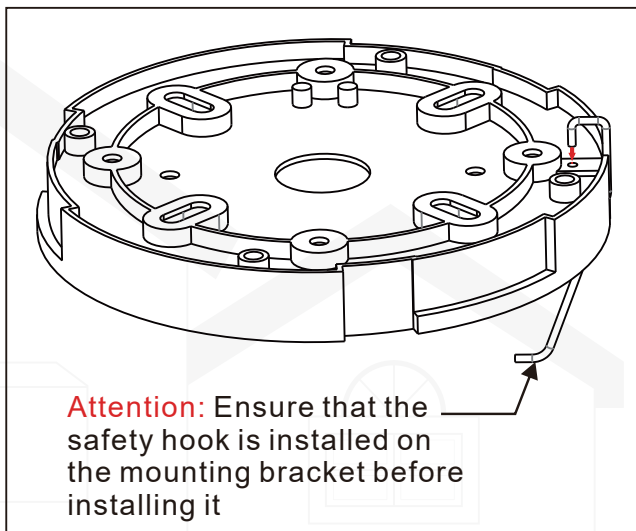
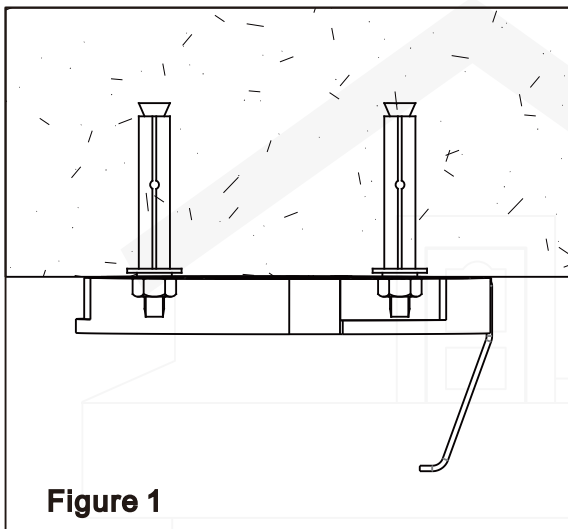
(Figure 7)

INSTALL THE CEILING BRACKET

The ceiling fan must be installed in the location where there is 12" (300mm) spacing from the tips of all blades to the nearest objects or walls. REMEMBER to turn on the power before hanging the fan.

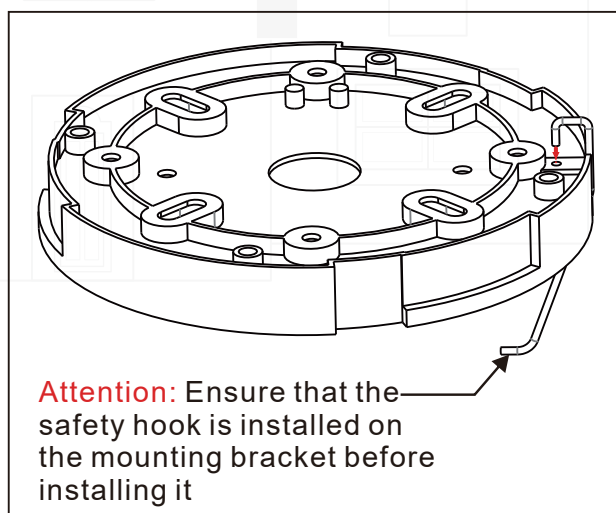
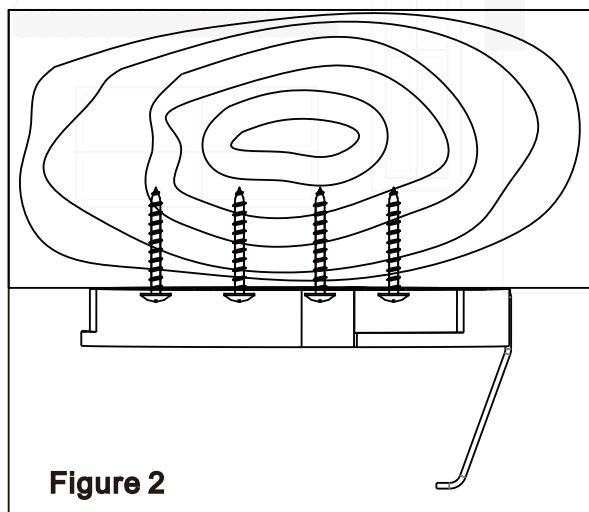
Follow the instruction below to hang your fan properly:

1. For concrete ceiling, drill two holes in the ceiling and secure the mounting bracket to the ceiling with two \bullet 0.32" (8mm) distance between the two holes should be appropriate) expansion screws, at washers nuts provided and tighten with a spanner.



Attention: Ensure that the safety hook is installed on the mounting bracket before installing it

2. For wood ceiling, secure the mounting bracket to the ceiling that is capable of carrying a load of at least 100lbs (45kgs) with two long mounting screws and washers provided. Be sure at least 0.12" (30mm) of the screw is threaded into the support.

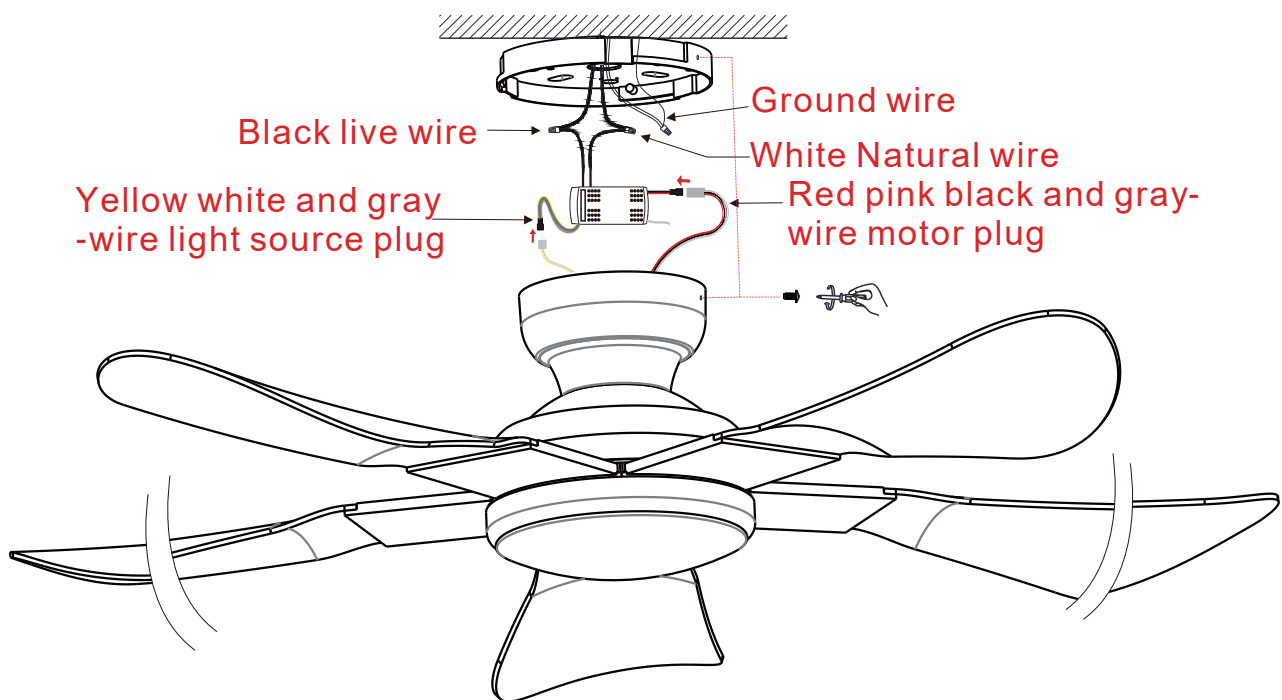
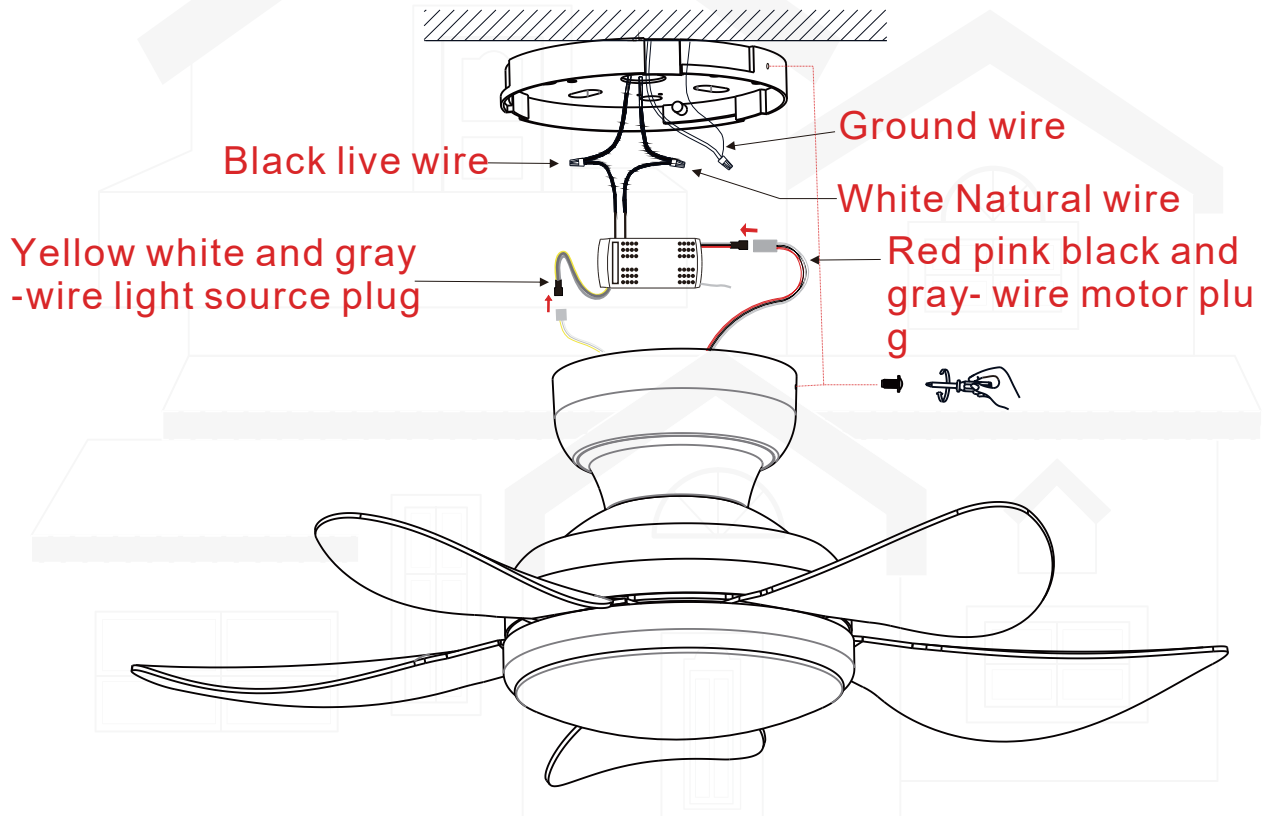


Attention: Ensure that the safety hook is installed on the mounting bracket before installing it

MAKE THE ELECTRIC CONNECTIONS

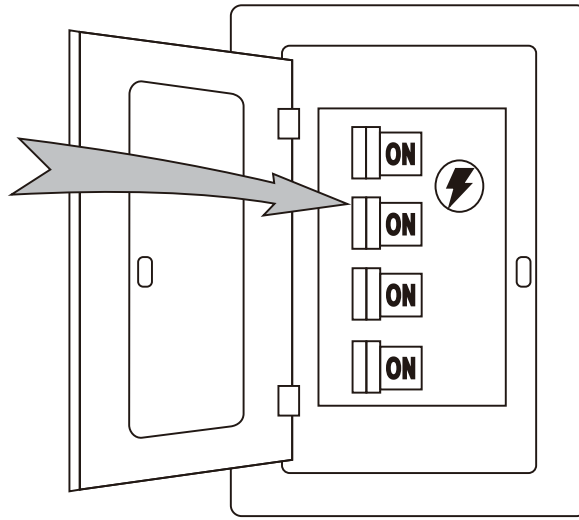
⚠ WARNING To avoid possible electrical shock , be sure the electricity is turned off in the main fuse box before wiring

- 1 . Connect the black wire on the motor to the live wire in the room, the white wire on the motor to the natural wire in the room, and connet the yellow ground wire on the ceiling mounting plate to the ground wire in the room
2. Connect the same color wire on the receiver and fan body together
3. After wiring is completed , fix the fan lamp body onto the hanging board with screws



INSTALLATION COMPLETED

Installation is now finished . Turn on the power switch. Then the fan lights are on Test and pair your fan immediately using the remote control



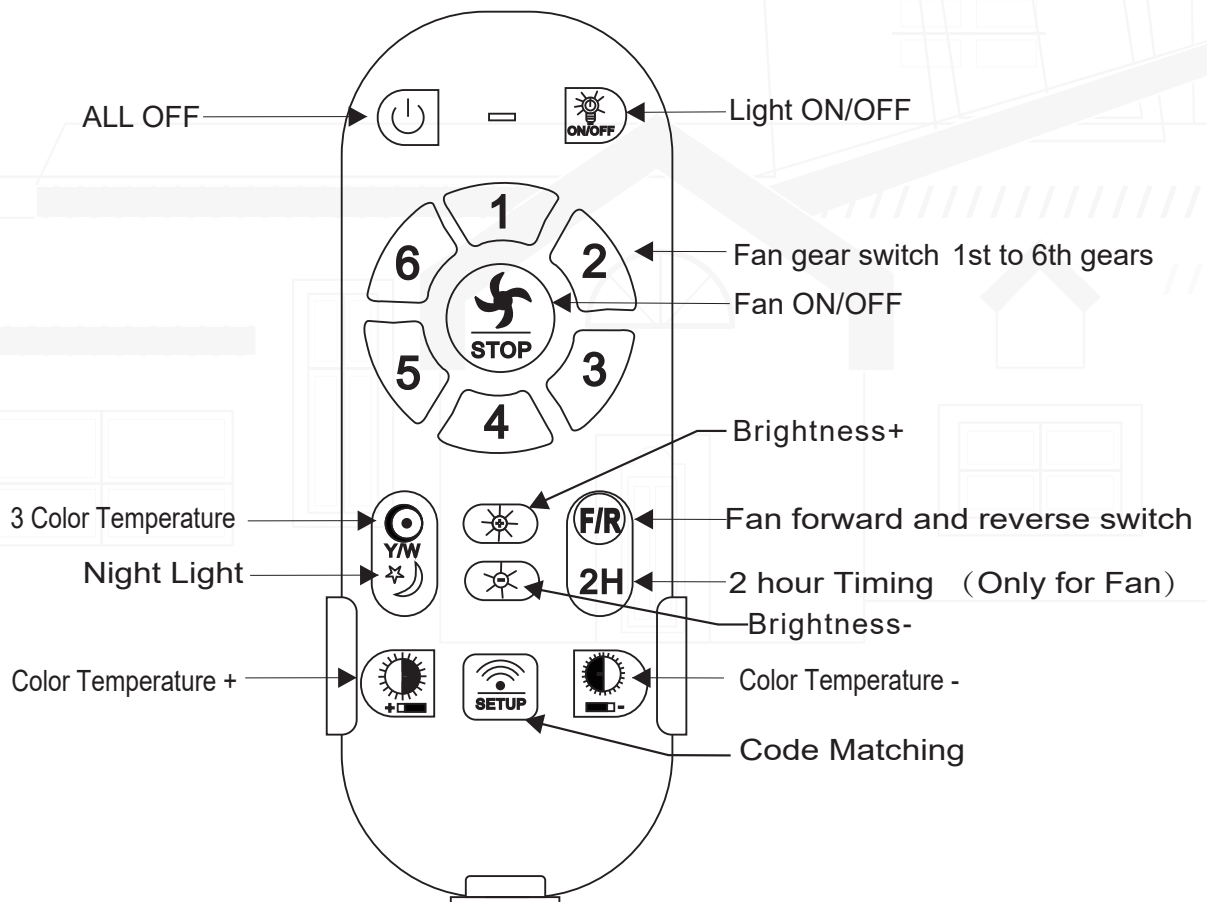
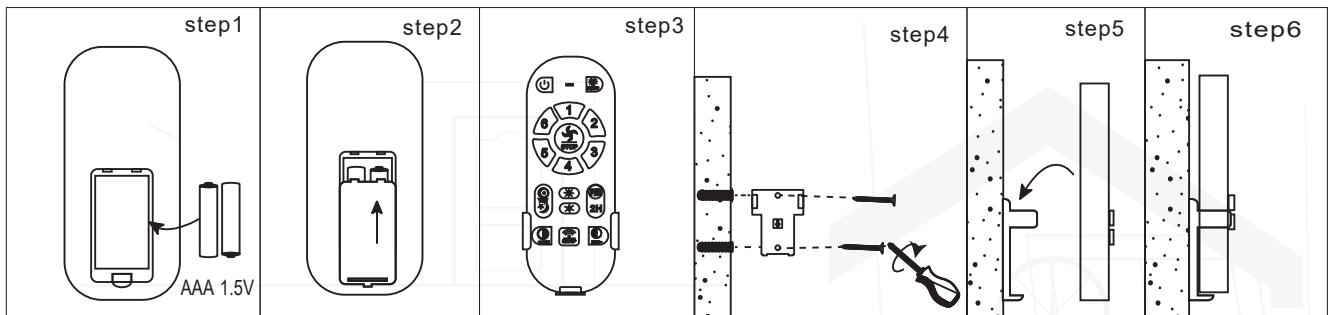
REMOTE CONTROL SETTING AND OPERATION

1. Restore electrical to the outlet box by turning the electricity on at the main fuse box.
2. Remove the battery cover from the remote control transmitter, install the battery.

Note:

- 1) Use 2 AAA 1.5V battery to replace.
- 2) If you do not use the remote control for a long time, please remove the battery.

3. The buttons on the remote control transmitter control the fan speed and light as follows.



IMPORTANT REMINDERS

1. Please note: Receiver must be correctly installed in the mounting bracket on fan
2. When the transmitter cannot control the receiver, please check the battery has sufficient charge in the transmitter.
3. When the transmitter cannot control the receiver, please check if there is any existence of similar remote controlled products nearby, causing interference with each other.
4. Low power of battery will affect the sensitivity of the transmitter and the signal reception accordingly, must replace if the battery is getting low power.
5. Please take the battery out from the transmitter when leaving unused for a long time, to avoid battery leaks.
6. Isolation Switch “Must be connected in the line.”
7. When power is cut to the unit (via a blackout or otherwise) when power is restored the light will come on.

Before carrying out any cleaning or maintenance work, always make sure that the appliance is disconnected. LED lights are not removable. LED lights can only be used within the product delivery, they can not be replaced.

Wall Switch

In order to ensure the normal work of LED LIGHT, recommend to use ordinary wall switch.

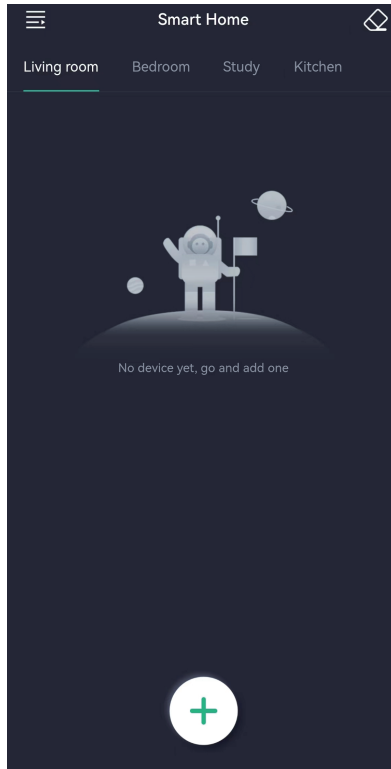


NOTE: POWER OFF from wall switch Defaultmemory function cleared)



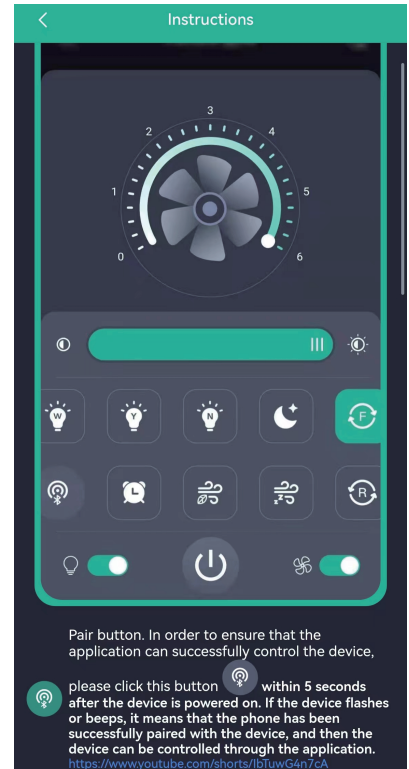
Note

Note: If your APP interface is displayed in Chinese, click the menu in the upper left corner to switch languages.



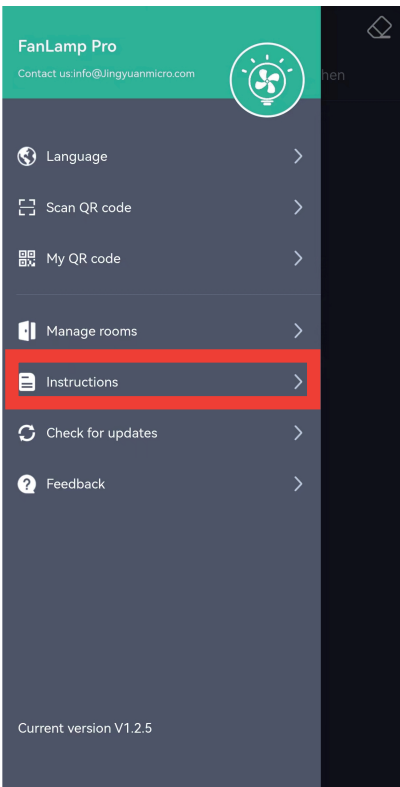
Step 01

Step 1: Click "+" button to set the name of your fan light.



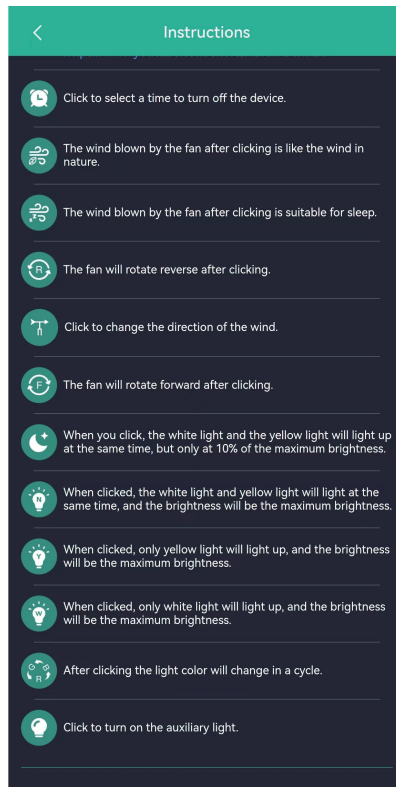
Step 02

Step 2: Click the pair button 1-2 times within 5 seconds after the fan is powered on. If the fan light flashes or beeps, it means the phone has been successfully paired.

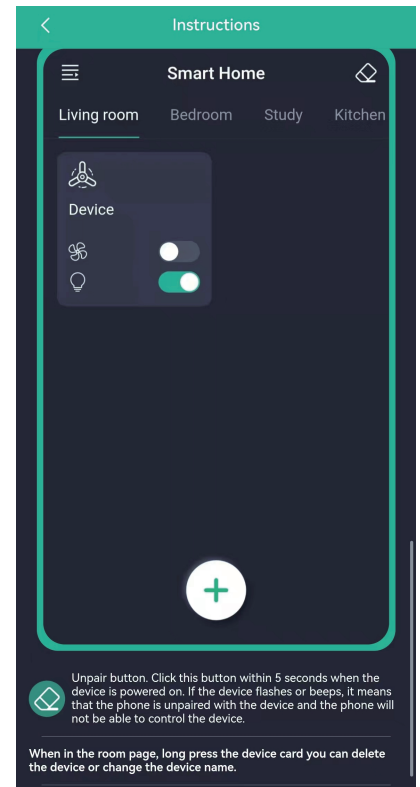


Instruction 01

Click the "Instructions" you can see the introduction of all the buttons.

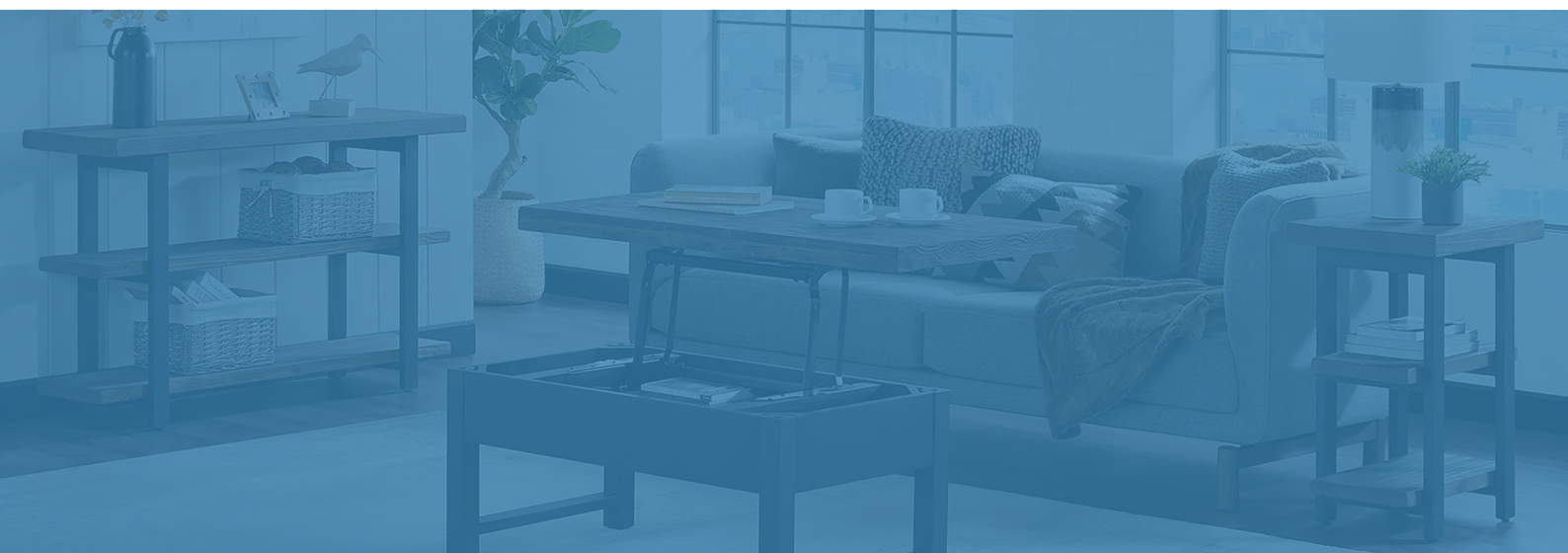


Instruction 02



Instruction 03

LIGHTING



MADE IN CHINA