












Assembly Instructions

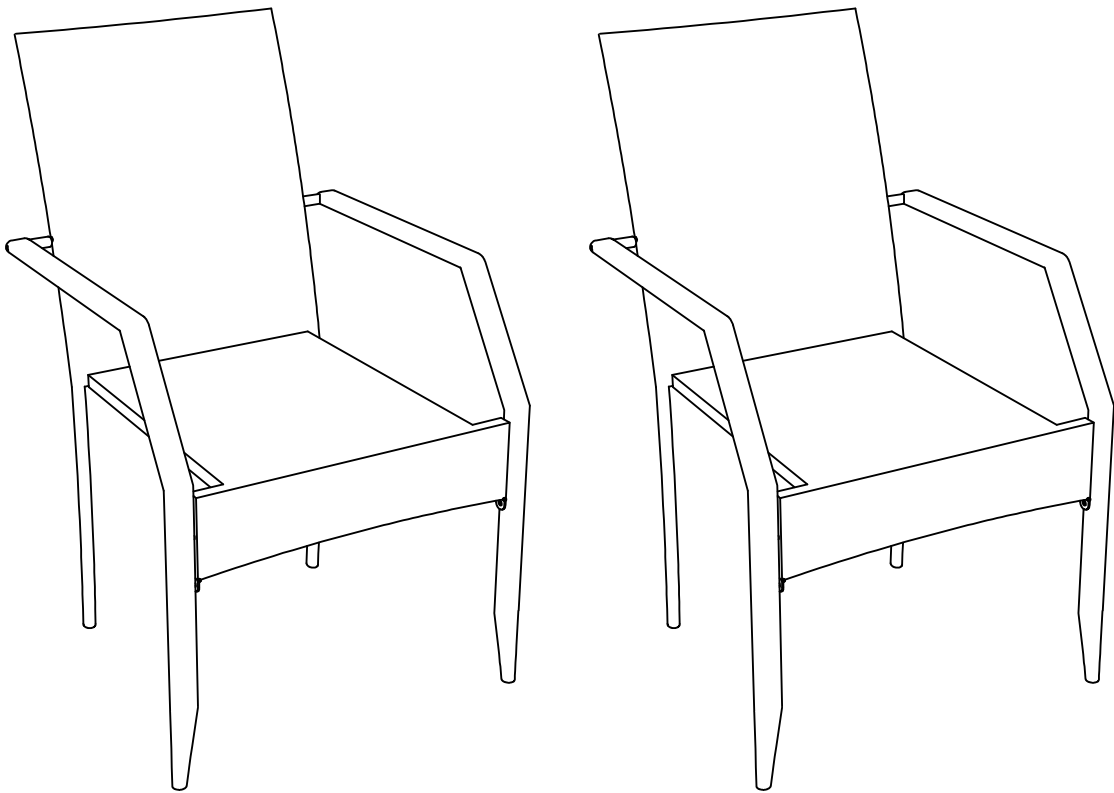
Caution: You must read these Assembly Instructions before you proceed

Care & Maintenance

-  Not for commercial use. For residential use only.
-  Prolonged exposure to rain may cause rusting which can stain floors.
-  Do not put hot items directly on furniture surface.
-  Do not clean furniture with harsh cleansers or polish
-  To obtain the longest lifespan of your outdoor products, minimizing exposure to direct sunlight is recommended.
-  Children should not climb or jump on the furniture.
-  Do not write on furniture without a padded barrier to protect the surface.
-  To obtain the longest lifespan of your outdoor products, avoid extended and lengthy exposure to rain, snow, and direct sunshine. Whenever possible cover the product and /or place under patio or awnings.
-  Stains may be removed with mild soap solution and damp cloth.
-  Keep away from sources of ignition.
-  Dust and pick-up spills using a clean, non-colored, lint-free cloth.

Please look into the chairs panel for hardware packs

CHAIR

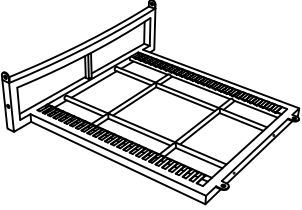
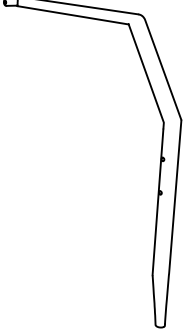
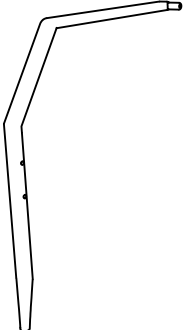
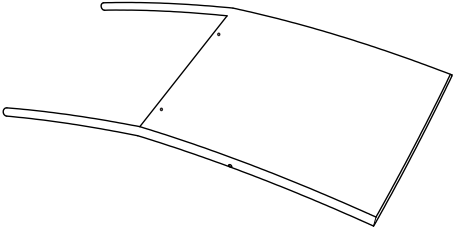


Caution: This Chairs is NOT a TOY

Keep your child/children at bay during the assembly process.

Whenever lifting or moving the Chairs and to prevent damage to the Chairs, two adults may be needed to execute these actions.

Part List

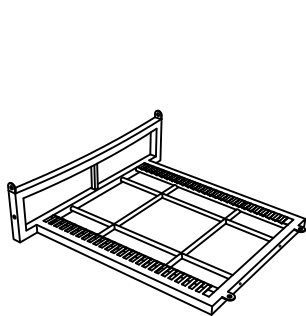
Label	Picture	Description	Qty
A		Seat Base	2
B		Right Armrest	2
C		Left Armrest	2
D		Backrest	2

Hardware

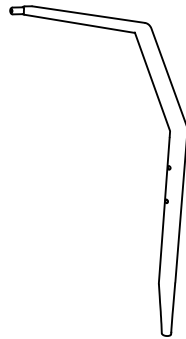
No.	Picture	Description	Qty
①		Bolt (M6x40)	9
②		Bolt (M6x20)	9
③		Bolt (M6x80)	5
④		Washer M6	23
⑤		Allen Wrench	2

Assembly Preparation

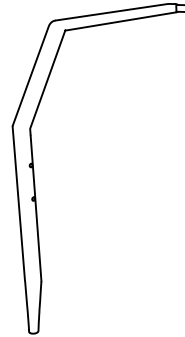
Before Beginning Assembly:



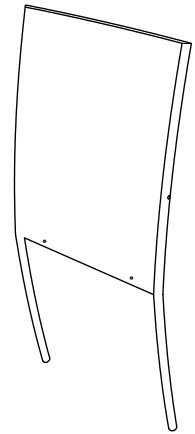
A x2



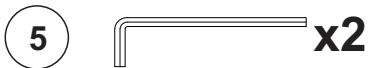
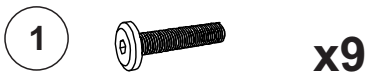
B x2



C x2



D x2



- Read instructions, cover to cover-



- Have 2 adults on hand for assembly-



- Do not assemble on flooring or carpet-



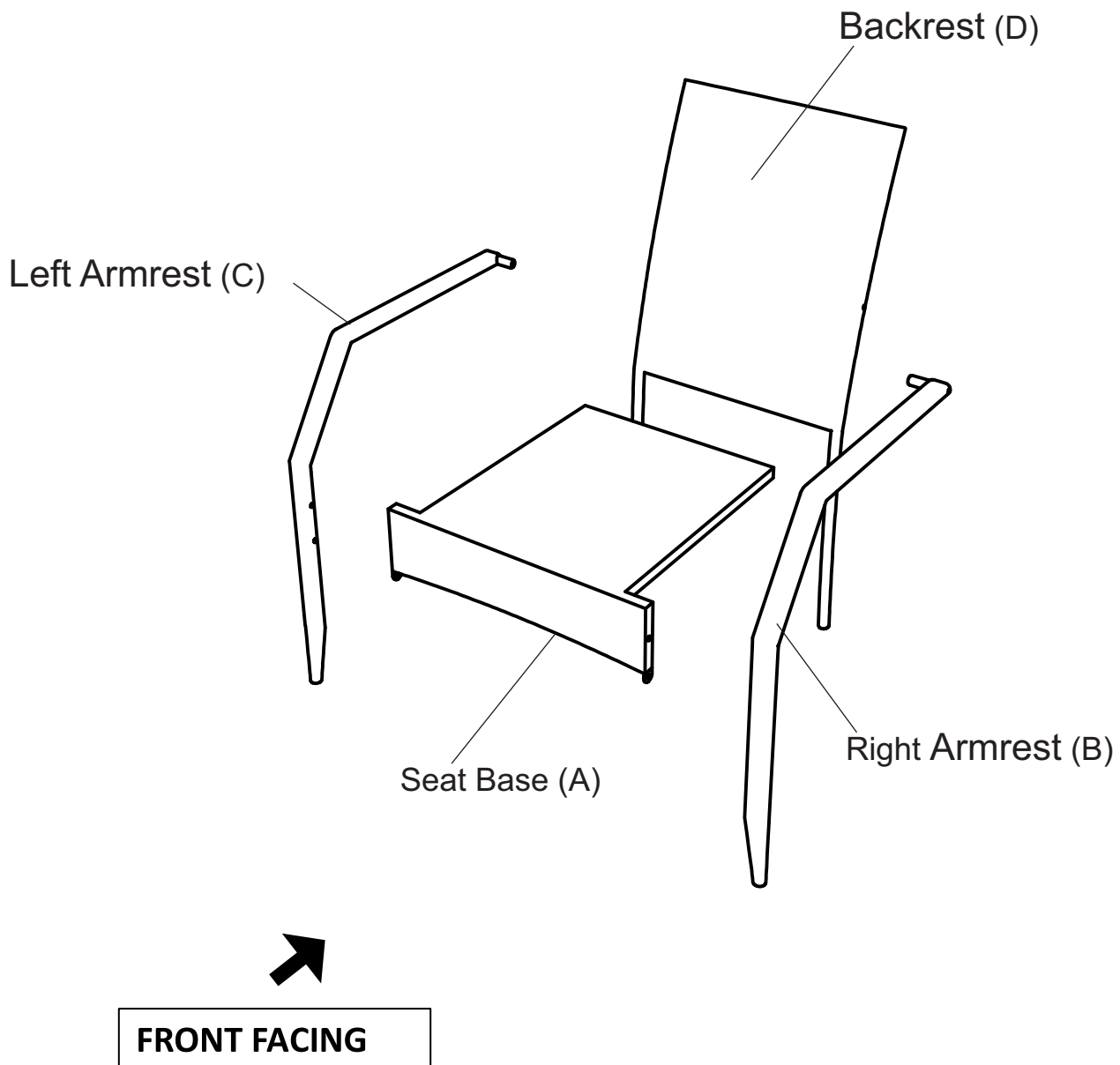
- Assemble on a clean non-marring surface (packing foam)-



- Save all packaging until finished-

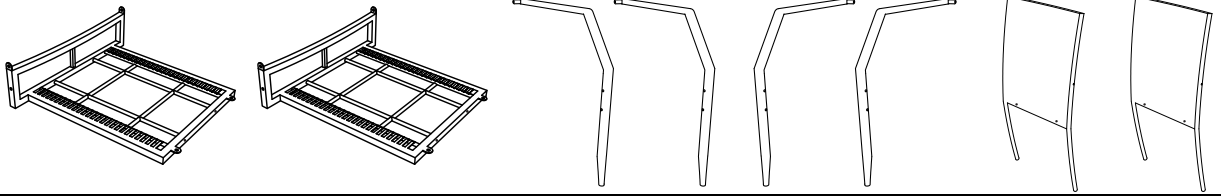
Assembly Steps

Overview



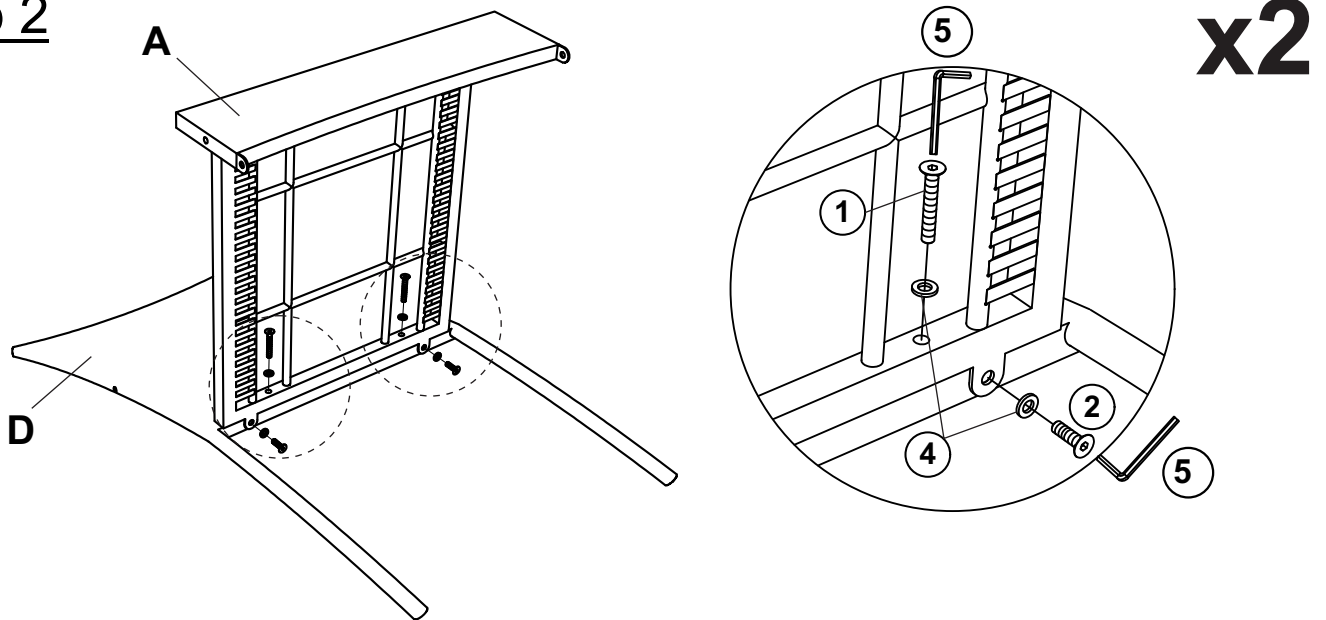
This Chair has multiple parts and may require up to 30 minutes to assemble. To give you an overview of the Chair's parts, the above picture is to help you put the various parts into perspective. Please read through the instructions below to familiarise yourself with the parts and steps before assembly.

Step 1



Unpack and place all parts on a clean, non-marring surface.

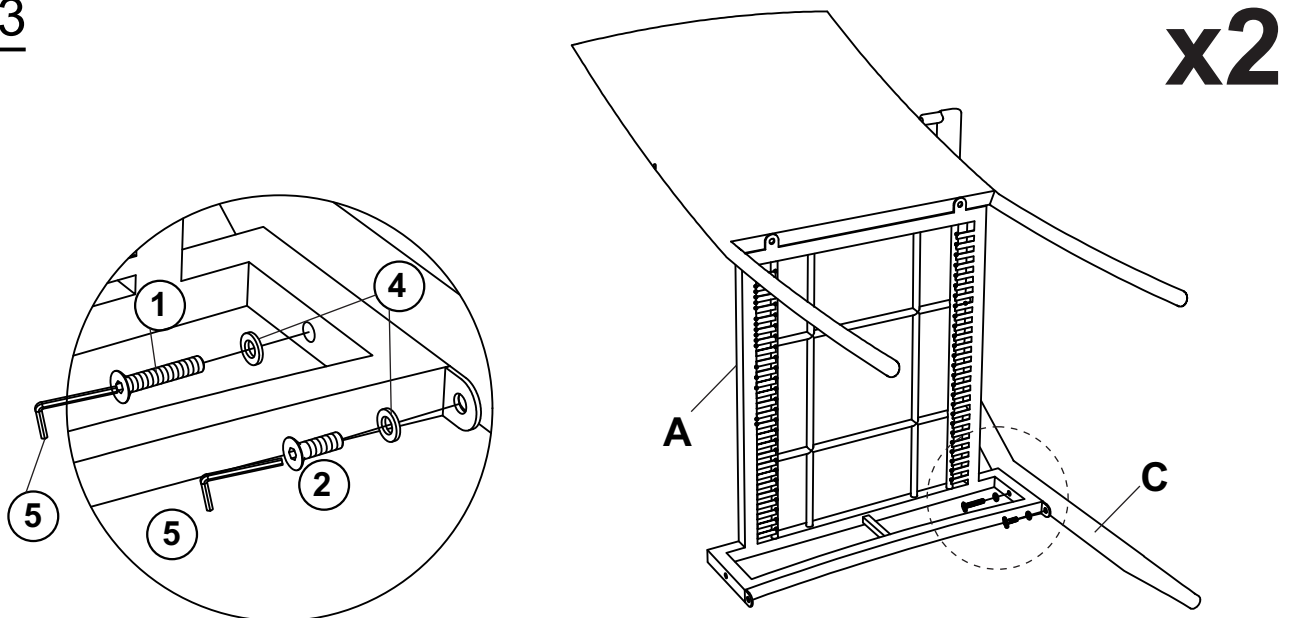
Step 2



2. Connect Seat Base (A) to the Backrest (D) using Bolt (①), Bolt (②) and Washer (④) with Allen Wrench (⑤).

Do not fully tighten the Bolts.

Step 3

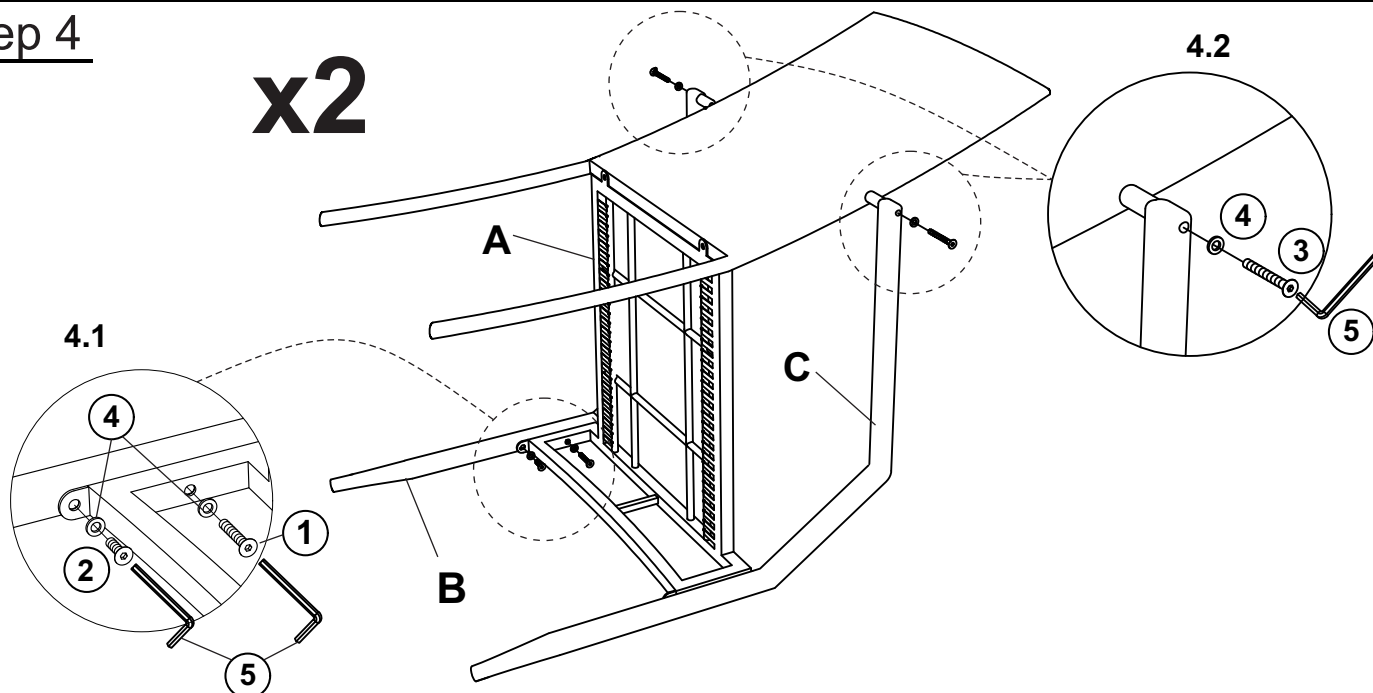


3. Arrange the parts as shown in the image. Connect Left Armrest (C) to the Seat Base (A) using Bolt (①), Bolt (②) and Washer (④) with Allen Wrench (⑤).

Do not fully tighten the Bolts.

Step 4

x2

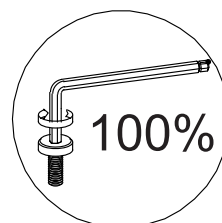
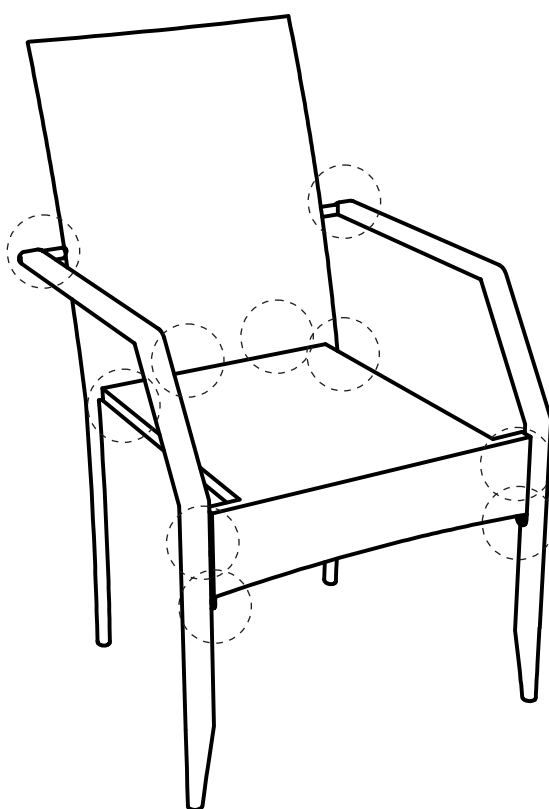


4. Arrange the parts as shown in the image.

4.1 Connect Right Armrest (B) to the Seat Base (A) using Bolt (①), Bolt (②) and Washer (④) with Allen Wrench (⑤). **Do not fully tighten the Bolts.**

4.2 Connect Right Amrest (B) and Left Amrest (C) to the Backrest (D) using Botl (③) and Washer (④) with Allen Wrench (⑤). **Do not fully tighten the Bolts.**

Step 5

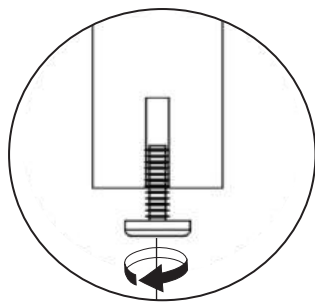


x10

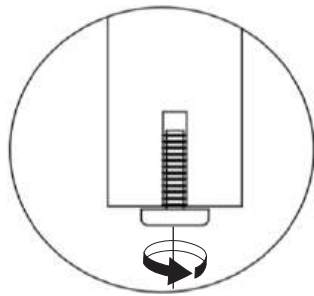
TIGHTEN ALL BOLTS 100%

Step 6

x2

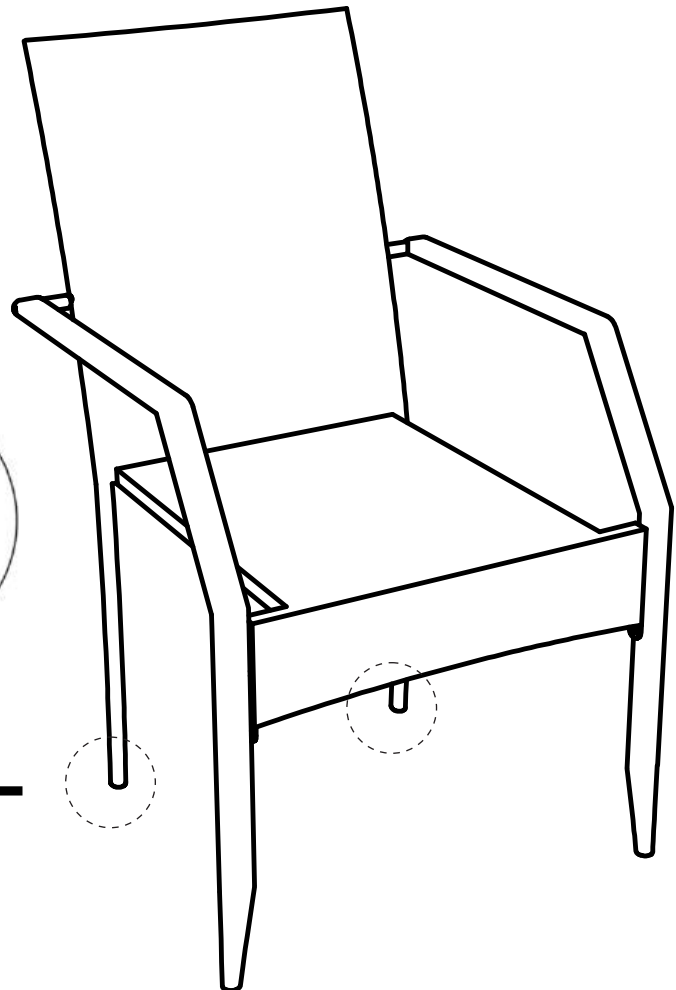


Adjust height for balance



Adjust low for balance

Adjust Pre-installed Levellers
height for balance



inspect the chairs and make sure all parts are adequately connected.
Then EXERT pressure, floorwards onto the chairs with both hand
This pressure will help align all parts at all joint.

In a sequential manner, tighten all bolts at all joint.

Adjust the Levellers until the table is level with the ground.

**To adjust the Levellers, get assistance from an adult partner to lift/lean
and hold the table while you are working**