

ASSEMBLY INSTRUCTIONS

MODEL #

CM4521RS

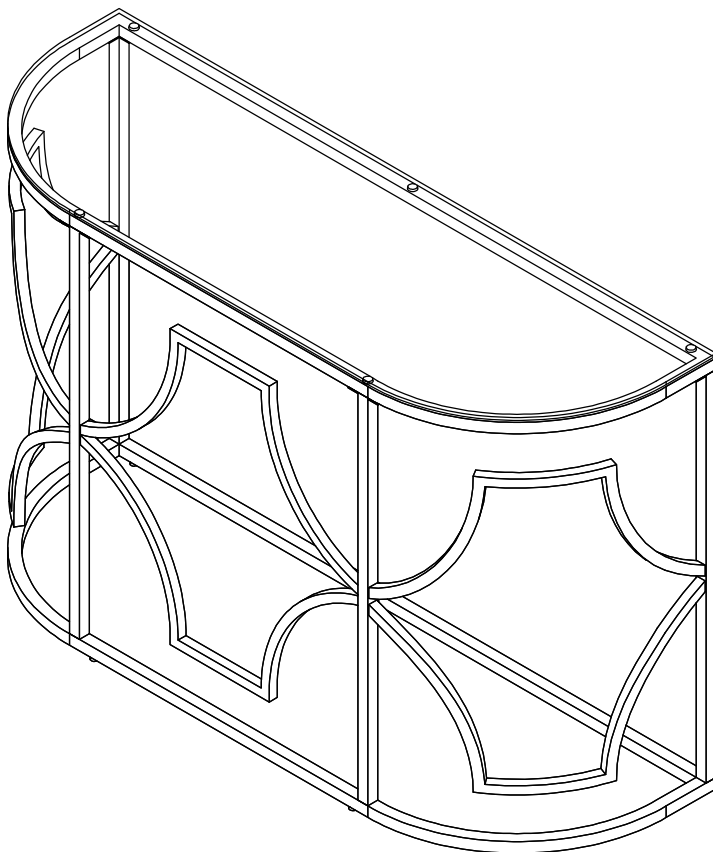
Questions?

GIVE US A CALL: 1-888-980-5122
MON-FRI 8:30AM - 5:30PM (PT)

TOOLS REQUIRED

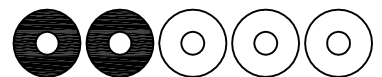


Allen Wrench
(Included)



2 - People
Recommended

ASSEMBLY RATING



EASY —————> DIFFICULT

The Assembly Rating is a 5-point system showing the level of effort needed to assemble a specific product.




FOA Intro

Thank you for your purchase!

We hope you enjoy this new addition to your home for many years to come.

Our commitment to providing quality products does not simply end when you purchase our product. We fully stand behind our products from start to finish. Our customer service department is available Monday – Friday 8:30 AM – 5:30 PM Pacific Time and can help with assembly questions as well as, if necessary, replacing damaged or missing parts. To help expedite our service, please have these assembly instructions readily available, along with your order receipt.

 **Consumer Hotline**
Toll-Free 1-888-980-5122

 **Monday to Friday**
8:30AM- 5:30PM (PT)

 **WEBSITE**
www.foagroup.com

 **E-MAIL**
cs.ec@foagroup.com

    foagroup

 FurnitureOfAmerica

CHECK BEFORE STARTING

Are you missing anything?
Double-check all parts, hardware and accessories listed are all accounted for.

Check out our Quick Tips!
We recommend reviewing the pre-assembly handouts. Even experts need a refresher now and then!

Should we send any replacements?
Are there any irregularities or flaws in the parts? We can send replacements!

Prep Time!
Please review the assembly instructions and all diagrams prior to assembling.

PRE ASSEMBLY INTRODUCTION

We understand building ready-to-assemble furniture can be a challenging experience for some. To help avoid confusion, we have provided some helpful tips that may speed up the process.



Teamwork

ALWAYS have at least two people to help with transporting and assembling the product to avoid potential injury and/or damage.



Suitable Location

Assembling near the area of the intended location is highly recommended.



Sufficient Space

Make sure you have enough space to move around during the assembly.



Avoid Scratches

Use cardboard, blankets or a carpeted area while assembling furniture to prevent to prevent scratches and damages.



Flat Surface

Make sure the furniture rests on a flat and level surface with each leg evenly touching the floor.

ASSEMBLY AND CARE ADVICE



FAILURE TO FOLLOW THE GUIDELINES BELOW MAY RESULT IN INJURY AND/OR PROPERTY DAMAGE.



Position each part correctly and insert screws or bolts into their respective holes.



Turn clockwise to tighten and only tighten when step is completed or when instructed to do so.



Use the appropriate hand tools or power tools for assembly. Select steps, such as tightening screws and/or bolts, may require hand tools to avoid causing damage during assembly.



Save the instructions and store any supplied tools for later maintenance.



After two weeks, check and tighten any loose hardware and repeat again every six months thereafter.

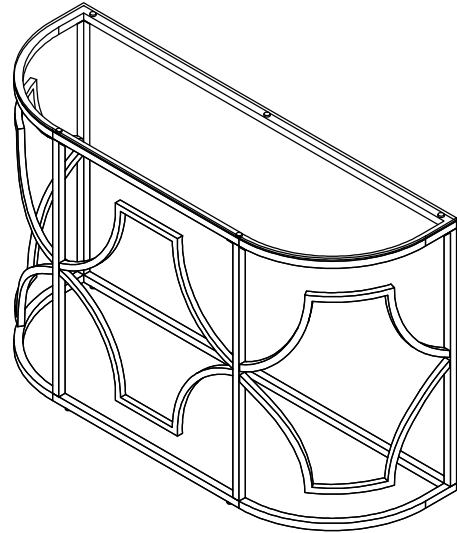
IT IS THE USER'S RESPONSIBILITY TO MAINTAIN THE FURNITURE. THE HARDWARE MAY LOOSEN OVER TIME AND MAY CAUSE THE FURNITURE TO BE WOBBLY AND UNABLE TO SUPPORT ITS INTENDED WEIGHT CAPACITY. THIS MAY LEAD TO COLLAPSE AND MAY CAUSE SERIOUS INJURY.

SOFA TABLE

CM4521RS

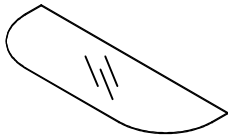


- Please keep instructions for future reference.
- Check the quantity and irregularity of parts and hardware before you start.



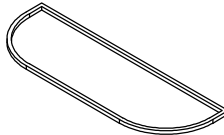
PARTS

#1 1pc



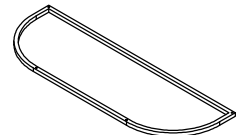
GLASS

#2 1pc



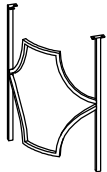
TOP FRAME

#3 1pc



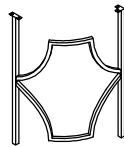
BOTTOM FRAME

#4 1pc



LEFT FRAME

#5 1pc



RIGHT FRAME

#6 1pc



CONNECT FRAME

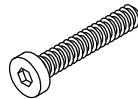
HARDWARE

#A 5pcs



SUCTION CUP

#B 4pcs



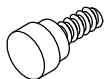
LONG BOLT 1/4" x 38mm

#C 10pcs



SHORT BOLT 1/4" x 12mm

#D 4pcs



LEVELER 1/4" x 12mm

#E 1pc



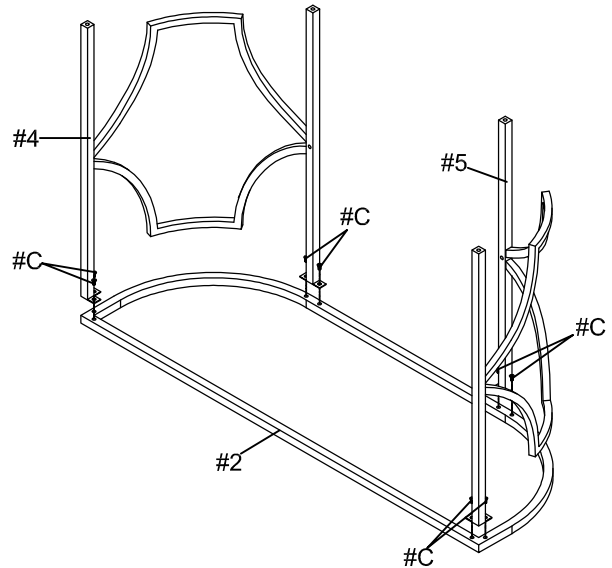
Allen Wench 4mm

ASSEMBLY INSTRUCTIONS

1

Align the Left Side Frame (#4) to the Top Frame (#2) and secure using Short Bolt (#C). Repeat with Right side frame (#5).

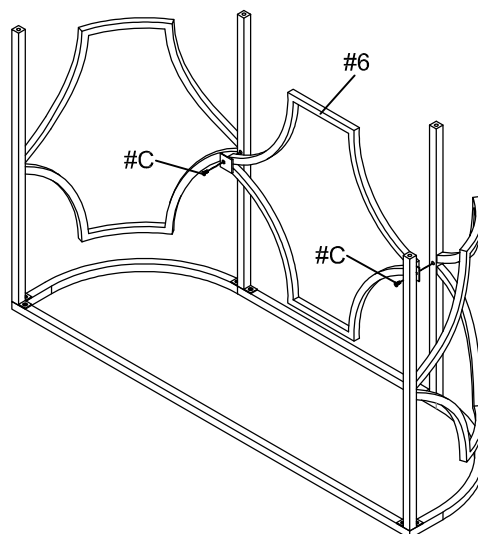
- Part #2 x1pc
- Part #4 x1pc
- Part #5 x1pc
- Hardware #C x8pcs



2

- Part #6 x1pc
- Hardware #C x2pcs

Attach the Connect Frames (#6) to the Side Frames (#4,#5) and secure using Short Bolts (#C).

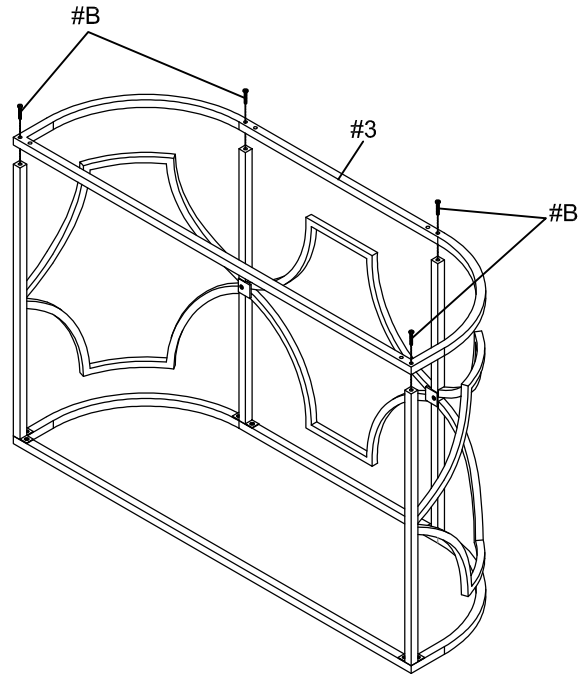


ASSEMBLY INSTRUCTIONS

3

Part #3 x1pc
Hardware #B x4pcs

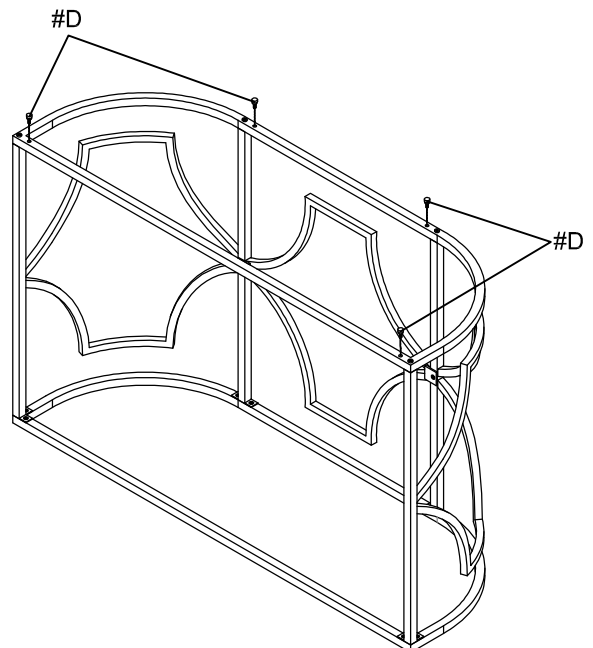
Align the Bottom Frame (#3) and secure using Long Bolts (#B).



4

Hardware #D x4pcs

Attach the Levelers (#D) to the Bottom Frame (#3) and adjust so table is leveled to the floor.



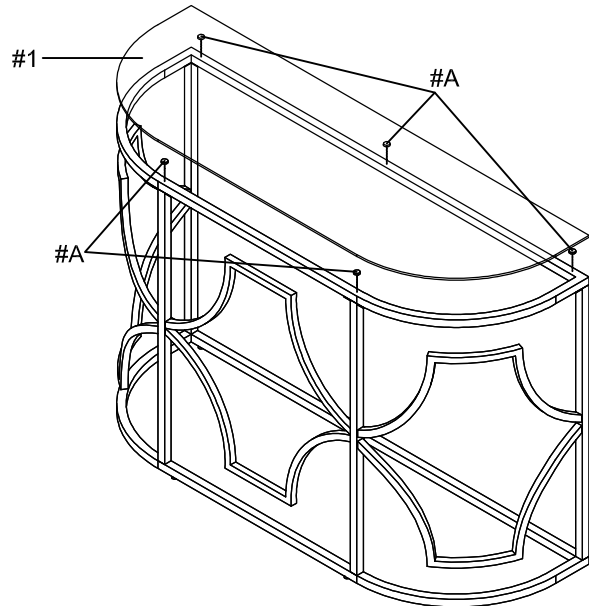
ASSEMBLY INSTRUCTIONS

5

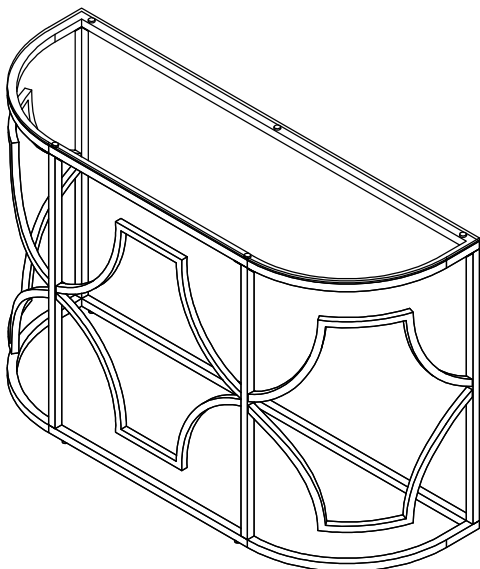
Part #1 x1pc

Hardware #A x5pcs

Place Suction cup (#A) onto the Top Frame (#2). Place glass and ensure it is gripped by the suction cups.



6



ASSEMBLY COMPLETED



Please ensure the furniture rests on an even and flat surface. If the product wobbles or feels loose, double-check all bolts and/or screws are properly tightened and secured.



Keep this handy!

Please retain this instruction manual and any order-related information for future reference.



Lift, don't drag!

To avoid damage to product please always LIFT the product when transporting or adjusting the placement.