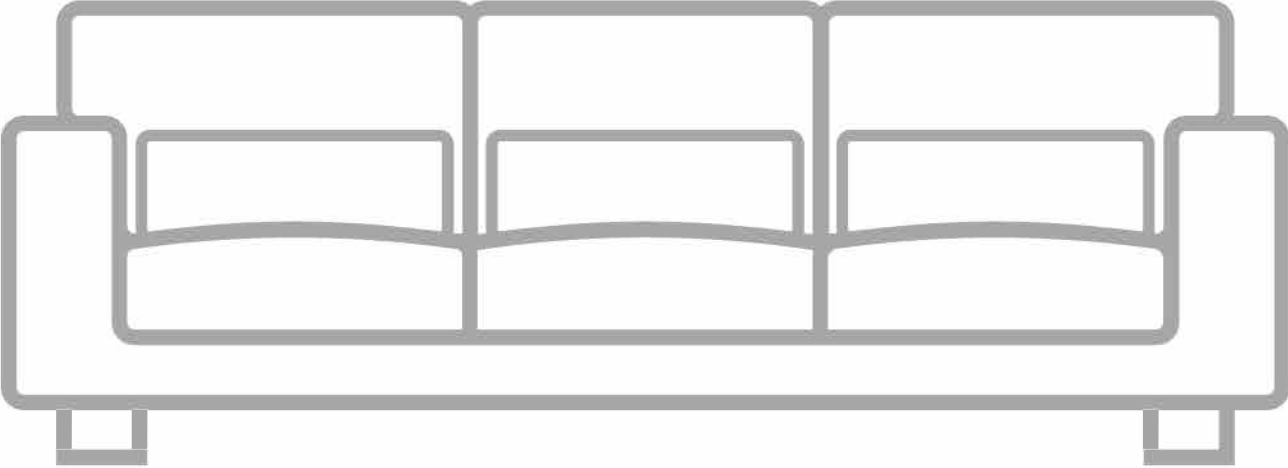
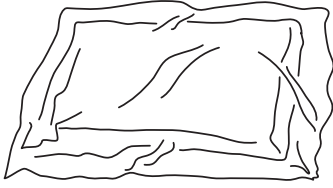


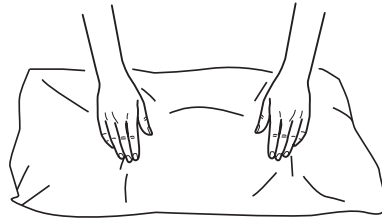
Installation & Assembly



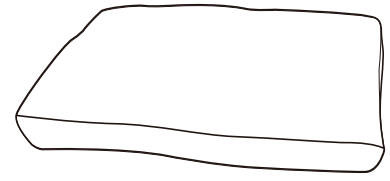
The cushions ship vacuum sealed. To restore their original shape, follow the steps below.



1. Carefully open the vacuum bag.

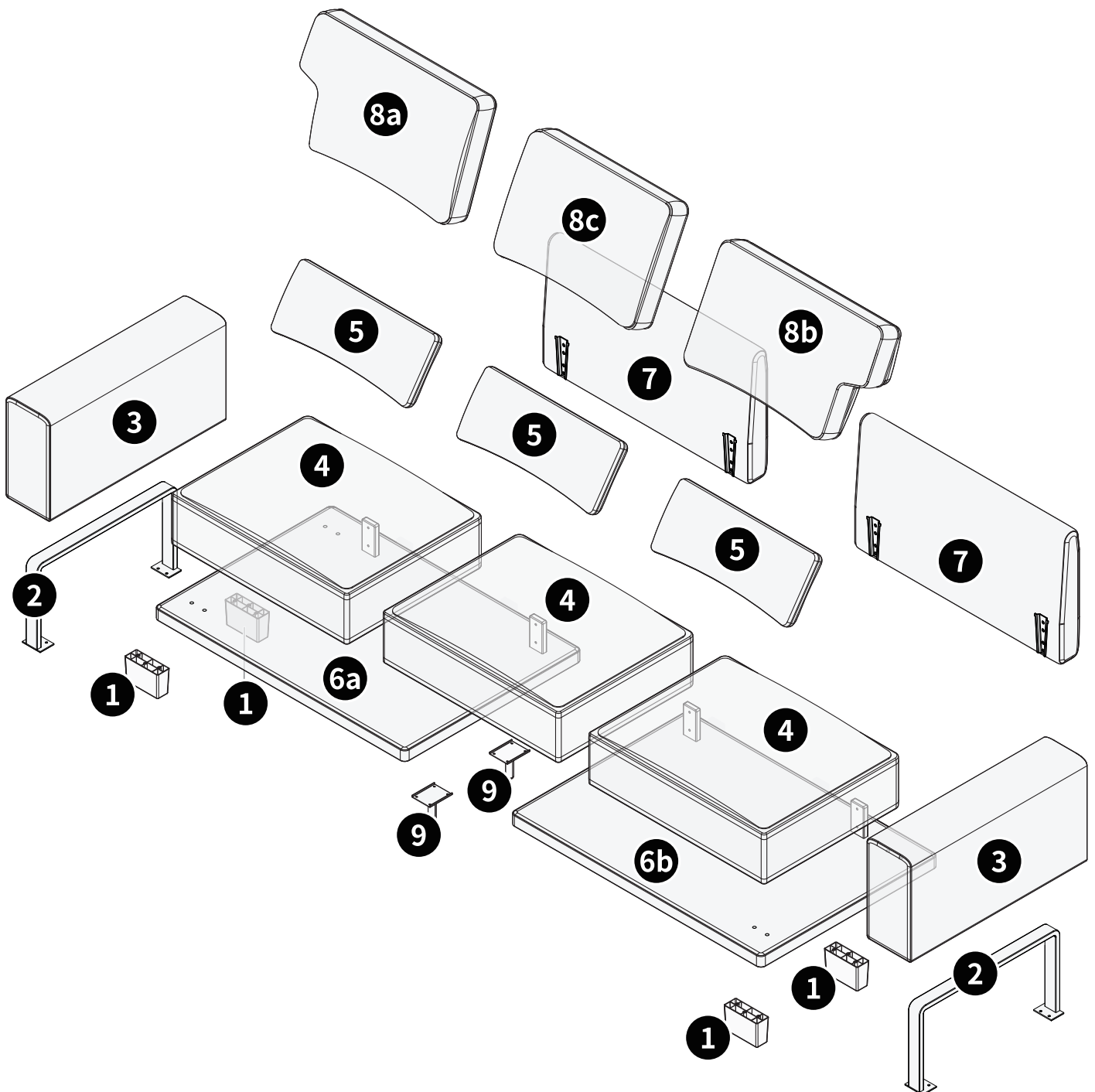


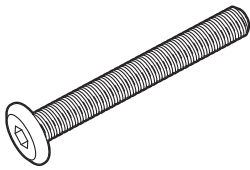
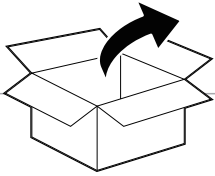
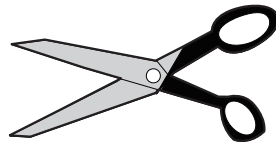
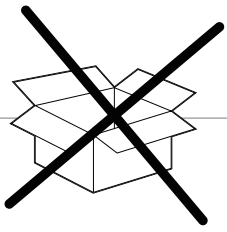
2. Press and pat to fluff the cushion.



3. Squeeze to distribute the filling evenly.

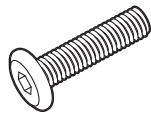
• Air the cushions for 72 hours to restore shape, and smooth the fabrics with a low-temperature iron.





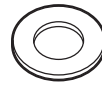
M6 x 95mm

(A) x 8



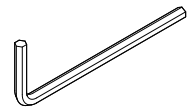
M6 x 20mm

(B) x 16



M6

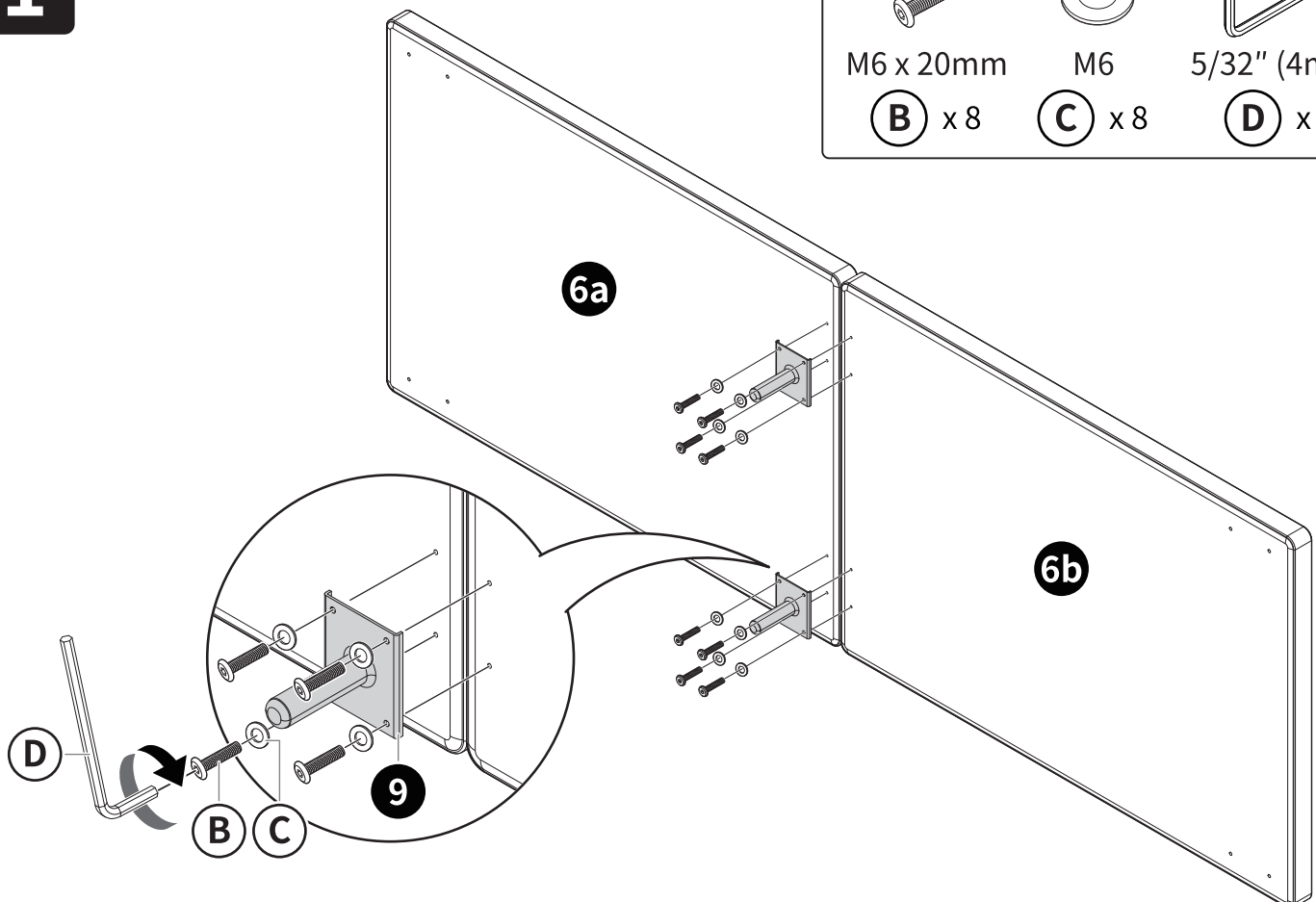
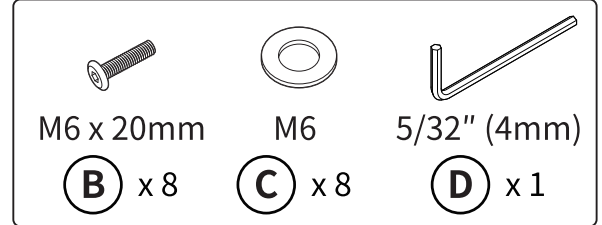
(C) x 16





5/32" (4mm)

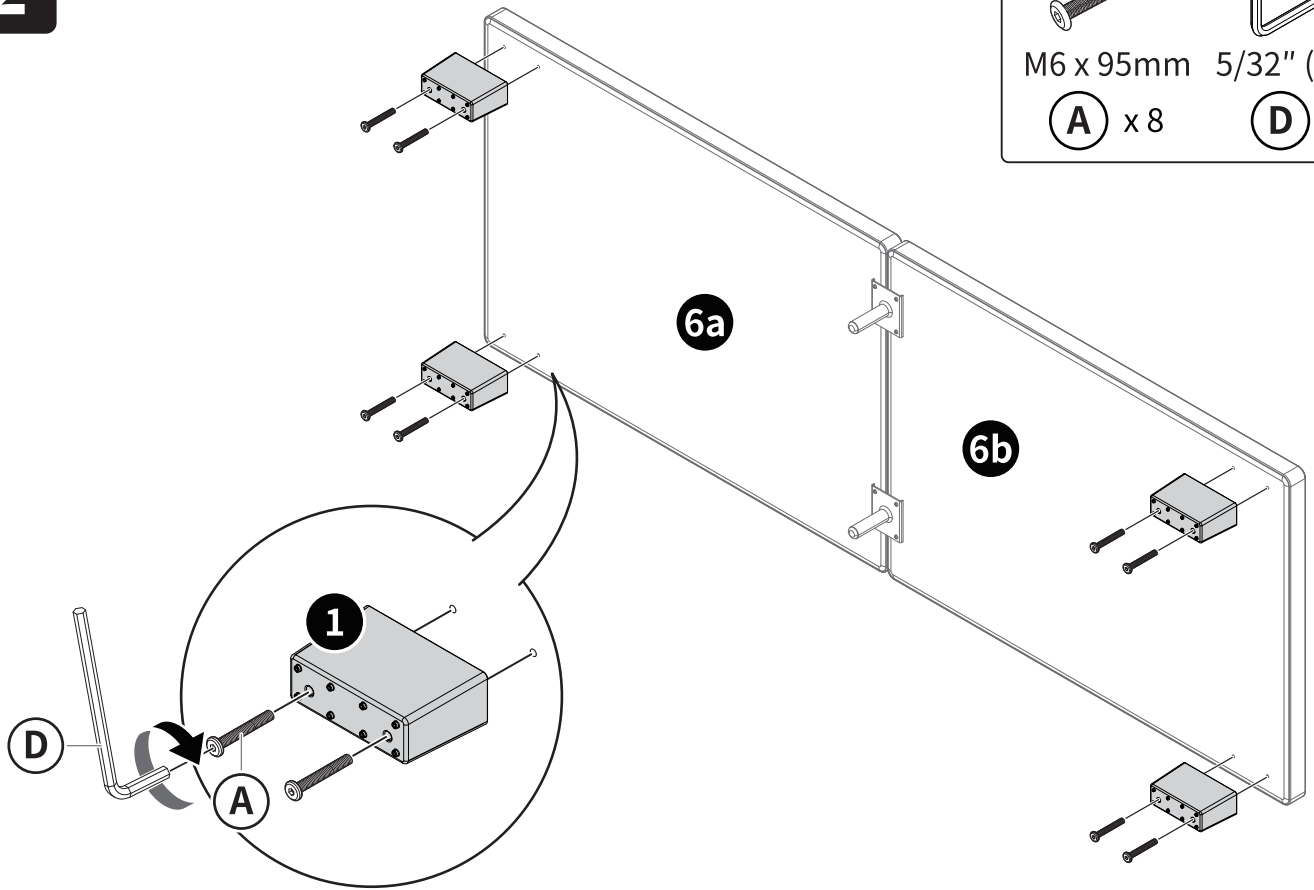
(D) x 1

1

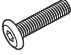




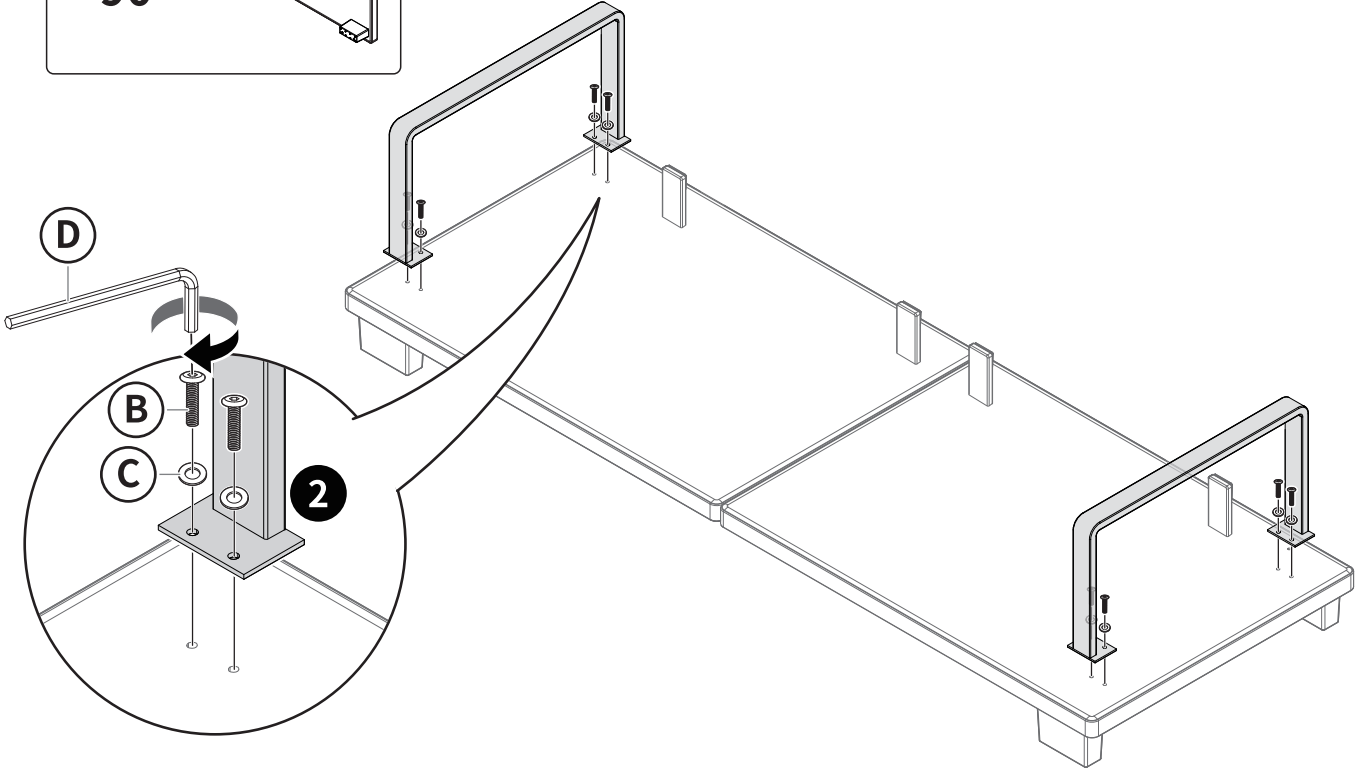
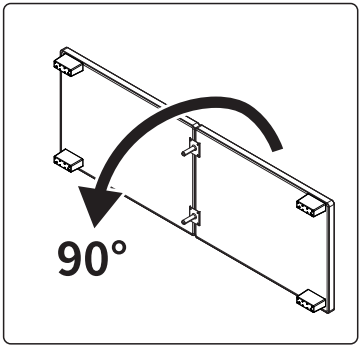
2

	
M6 x 95mm	5/32" (4mm)
(A) x 8	(D) x 1

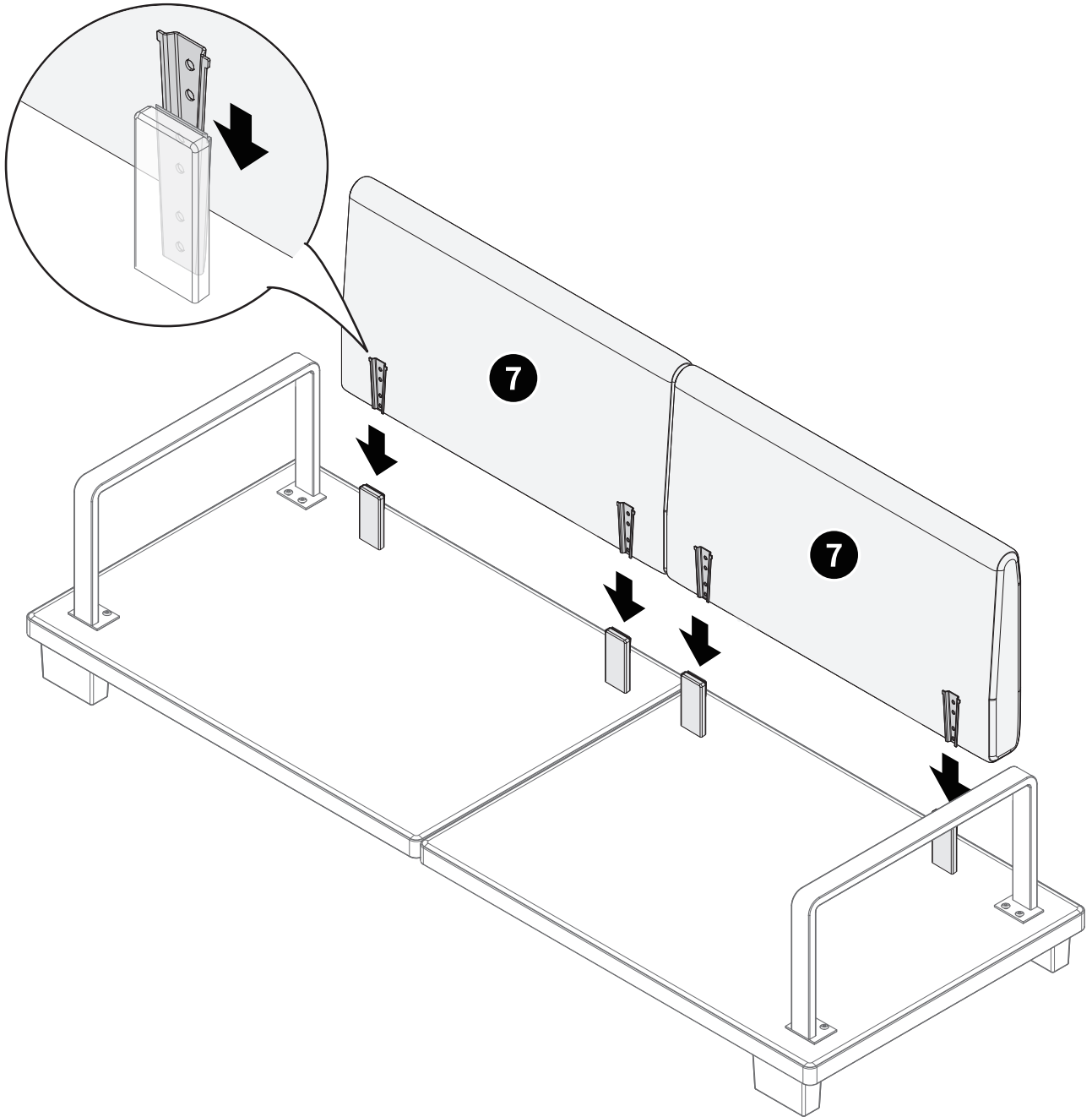


3

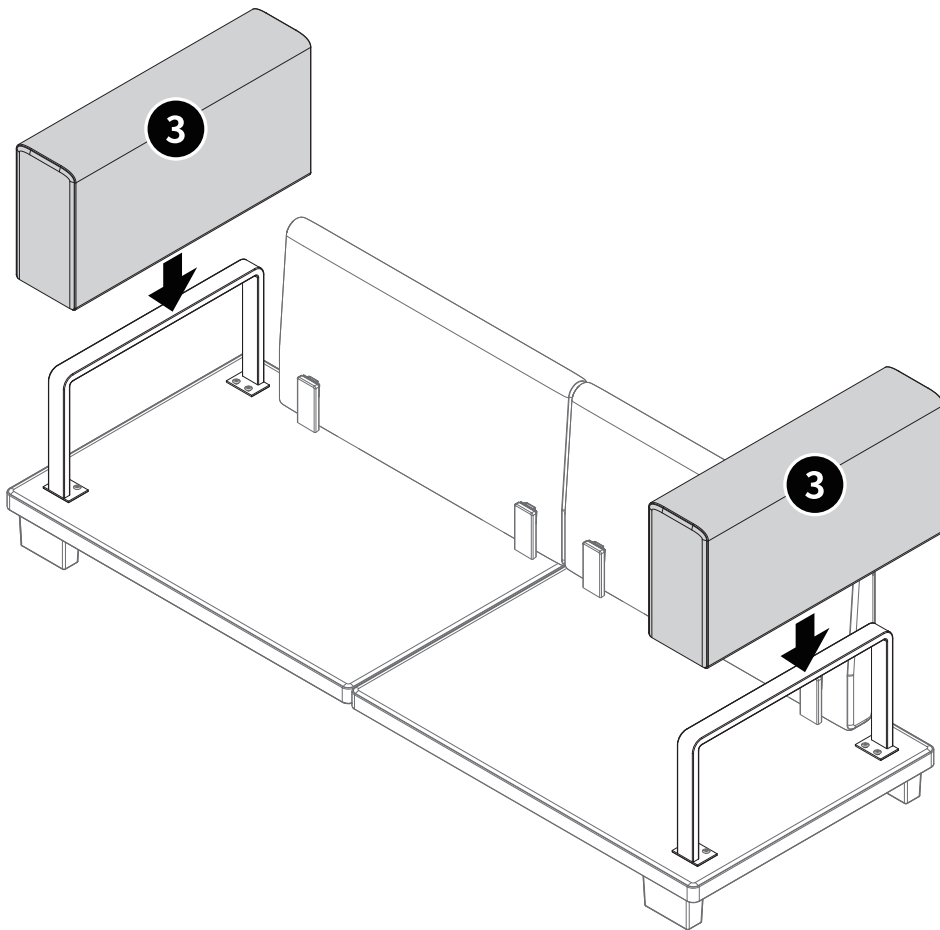
		
M6 x 20mm	M6	5/32" (4mm)
(B) x 8	(C) x 8	(D) x 1



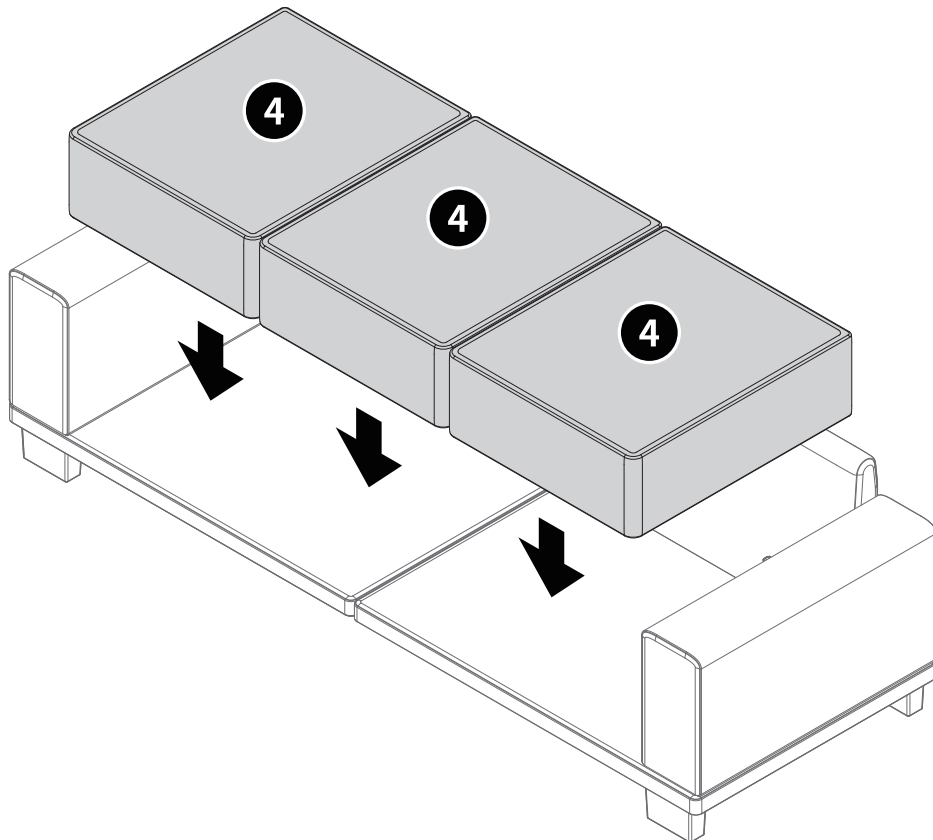
4




5

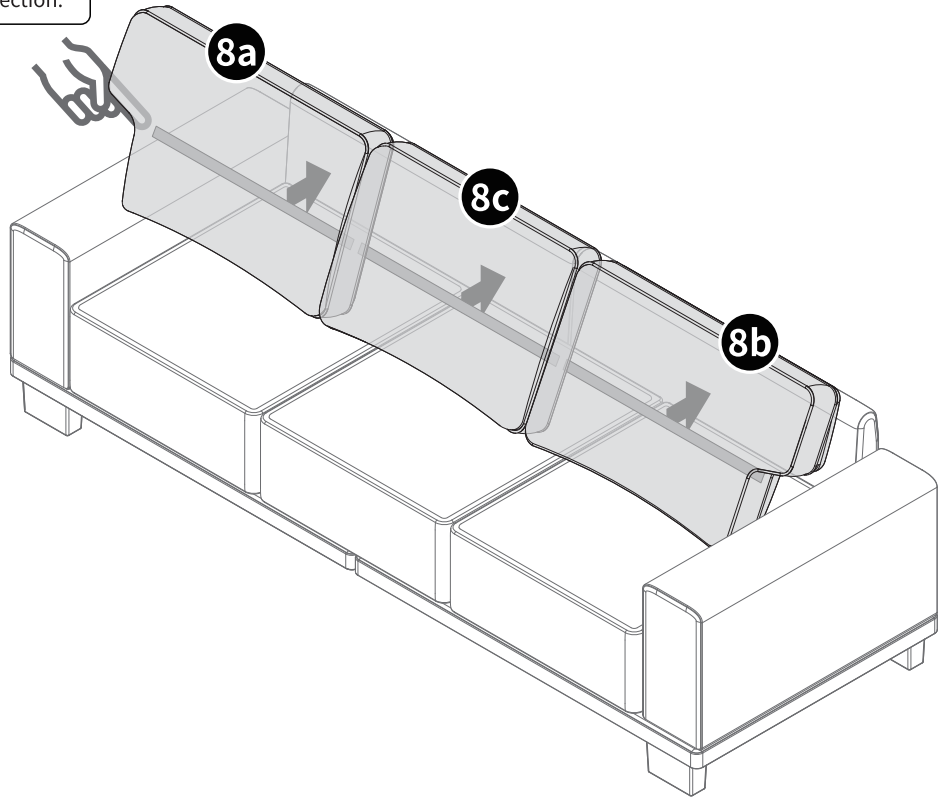


6



7

 **Tip:** Attach the Velcro to the backrest for a secure connection.



8

