

Installation & Assembly

Assembly Guide

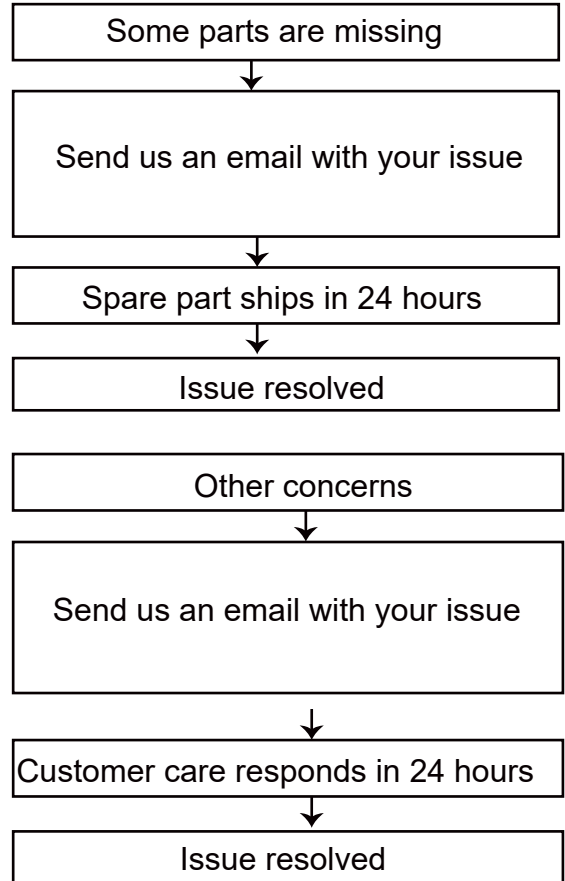
Tip!

Do check for all the components and screws listed in this guide before putting things together. If any part is missing, contact us for the missing part.

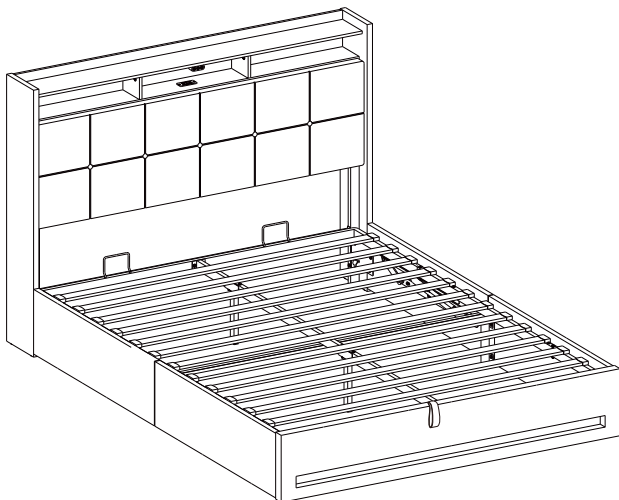
Return Policy

Your satisfaction is our top priority. If our product fails to satisfy you, please let us know how we can make things right for you. Our trained customer care team can handle most concerns and assist you with any questions you may have. Simply shoot them a message with your order number and question. To be eligible for a full-refund return, the item must be in pristine condition, in the original packaging, with all of the shipped components intact and not yet assembled, and with the item's unique proof of purchase.

Trouble shooting:



We run our own manufacturer, so rest assured about the quality consistency.



Item Description: Bed Frame

Montageanleitung

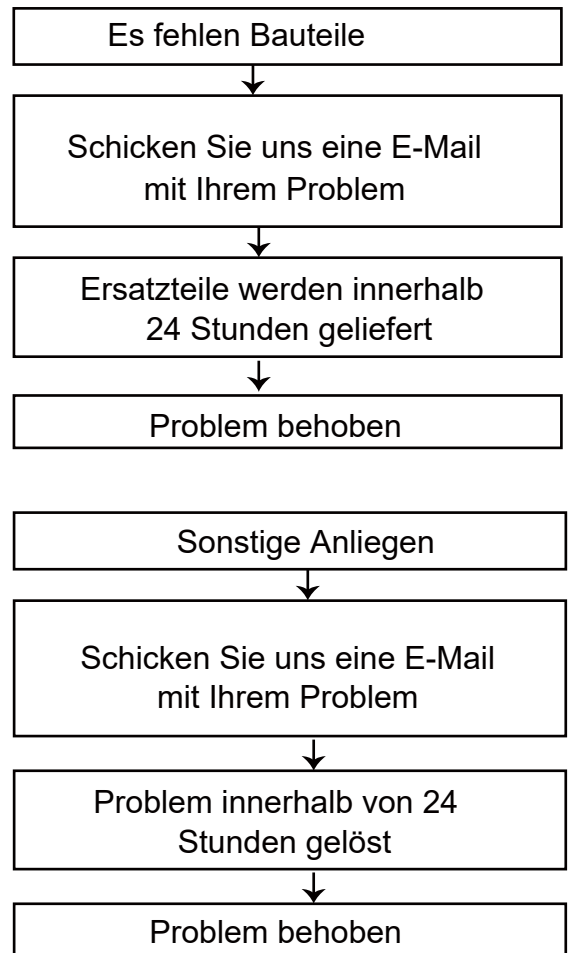
Tipp!

ÜBERPRÜFEN Sie alle in dieser Anleitung aufgeführten Komponenten und Schrauben, bevor Sie die Bauteile zusammenbauen. Sollte ein Bauteil fehlen, kontaktieren Sie uns um Ersatz zu erhalten.

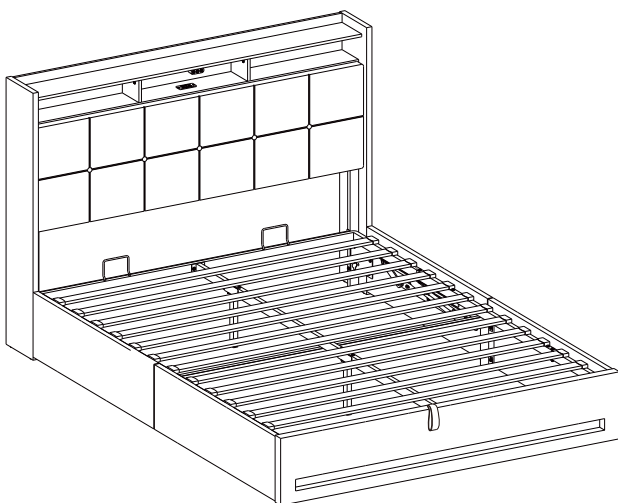
Rückgaberichtlinie

Ihre Zufriedenheit ist unsere oberste Priorität. Wenn Sie mit unserem Produkt nicht zufrieden sind, lassen Sie uns bitte wissen, wie wir die Angelegenheit für Sie in Ordnung bringen können. Unser geschultes Kundenbetreu kann die meisten Anliegen lösen und unter Sie bei allen Ihren Fragen. Senden Sie uns einfach eine Nachricht mit Ihrer Bestellnummer und Ihrer Frage. Um eine volle Rückerstattung zu erhalten, muss der Artikel in einwandfreiem Zustand sein und sich in der Originalverpackung mit allen gelieferten und noch nicht zusammengebaute Komponenten befinden. Zudem wird der eindeutige Kaufnachweis des Artikels.

Problemlösung:



Wir stellen unsere Artikel selbst her, sodass Sie sich auf gleichbleibende Qualität verlassen können.



Item Description: Bettrahmen

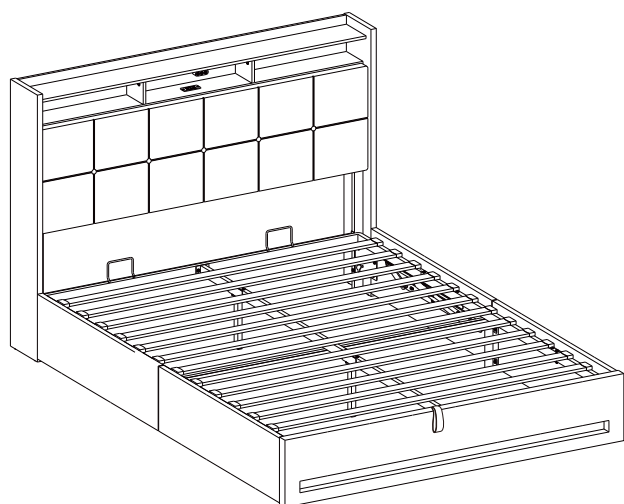
Guide de montage

Attention !

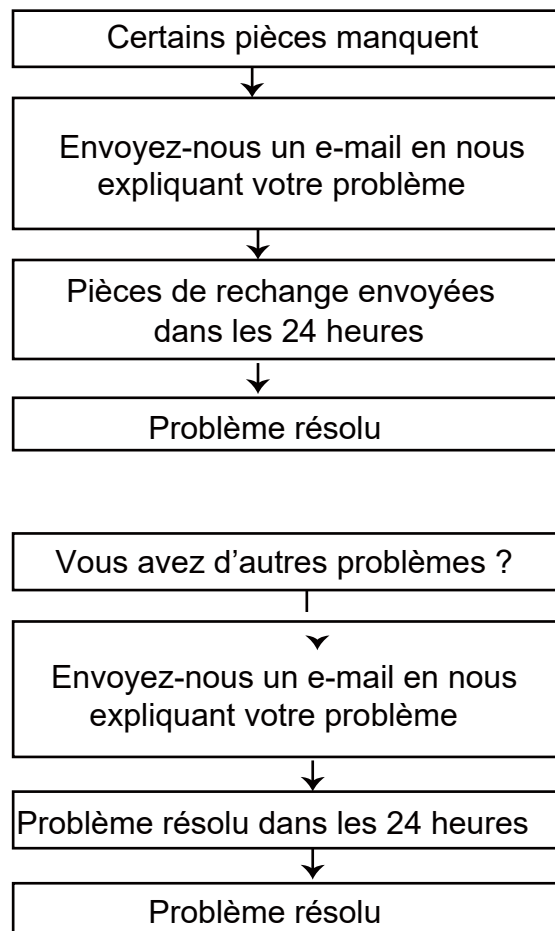
VÉRIFIEZ la présence de l'ensemble des éléments et vis énumérés dans ce guide avant de procéder au montage. Si une pièce venait à manquer, envoyez-nous un e-mail pour nous le signaler.

Politique de retour

Votre satisfaction est notre priorité absolue. Si notre produit ne vous donne pas entière satisfaction, n'hésitez pas à nous faire savoir ce que nous pouvons faire pour améliorer la situation. Notre équipe d'assistance à la clientèle qualifiée est en mesure de résoudre la plupart de vos problèmes et de répondre à toutes vos questions. Il vous suffit de leur envoyer un message en indiquant votre numéro de commande et votre question. Pour pouvoir bénéficier d'un remboursement intégral, l'article doit être en parfait état, dans son emballage d'origine, avec tous les composants expédiés intacts et non encore assemblés, et avec la preuve d'achat unique de l'article.



Dépannage :



Nous assurons notre propre fabrication donc soyez assuré de bénéficier d'une qualité constante.

Item Description: Châssis de lit

Guida all'assemblaggio

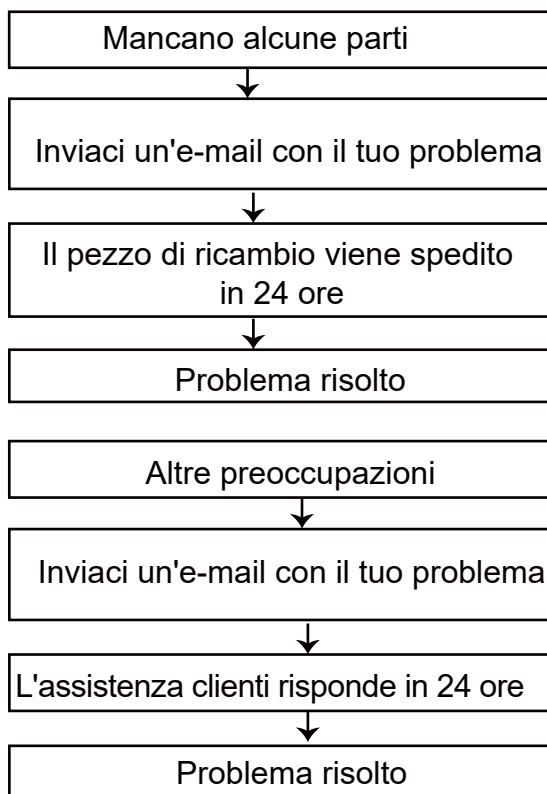
Mancia!

Controllare tutti i componenti e le viti elencati in questa guida prima di inserire le cose insieme. Se manca qualche parte, contattaci per i dispersi parte.

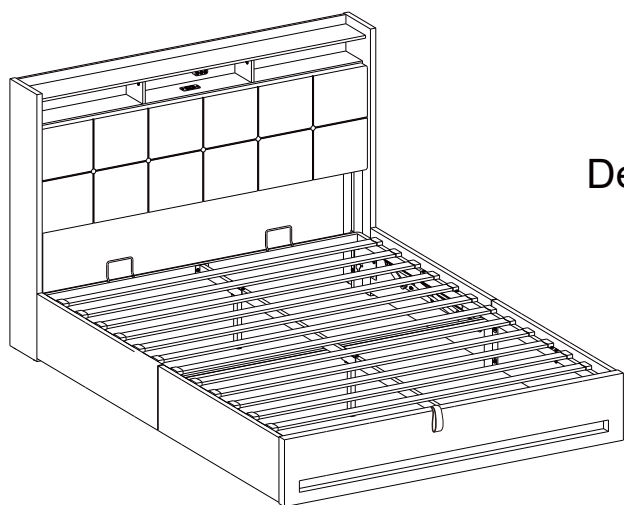
Politica di ritorno

La vostra soddisfazione è la nostra massima priorità. Se il nostro il prodotto non ti soddisfa, faccelo sapere come possiamo sistemare le cose per te. Nostro un team di assistenza clienti qualificato può gestire la maggior parte preoccupazioni e assistervi per qualsiasi domanda tu forse hai. Invia loro semplicemente un messaggio con il tuo numero d'ordine e domanda. Essere eleggibile per un reso con rimborso completo, l'articolo deve essere presente ottime condizioni, nella confezione originale, con tutti i componenti spediti intatti e non ancora assemblato e con l'oggetto unico prova d'acquisto.

Risoluzione dei problemi:



Gestiamo il nostro produttore, quindi riposati assicurato circa la consistenza di qualità.



Descrizione dell'articolo: Struttura del letto

Guía de montaje

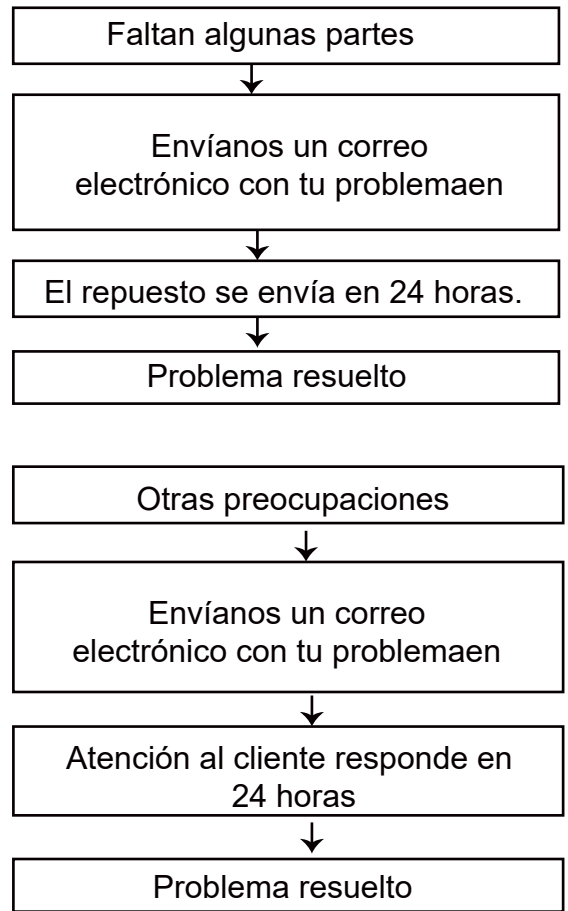
Consejo!

Verifique todos los componentes y tornillos. Enumerados en esta guía antes de poner las cosas juntos. Si falta alguna pieza, contáctanos al support-euteam@vecelo.com por los desaparecidos parte.

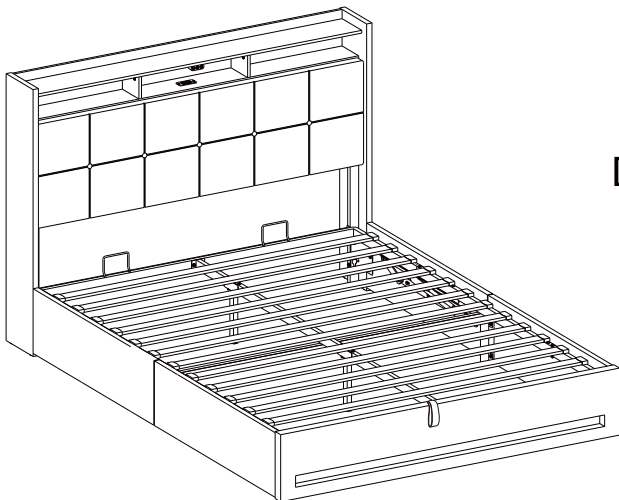
Política de devoluciones

Su satisfacción es nuestra máxima prioridad. Si nuestro el producto no le satisface, háganoslo saber. CÓMO podemos hacer las cosas bien para usted. Nuestro equipo de atención al cliente capacitado puede manejar la mayoría inquietudes y ayudarle con cualquier pregunta es posible que tengas. Simplemente envíales un mensaje con su número de pedido y pregunta. Ser elegible para una devolución con reembolso completo, el artículo debe estar en impecable estado, en el embalaje original, con todos los componentes enviados intactos y aún no ensamblado y con la característica única del artículo. Comprobante de compra.

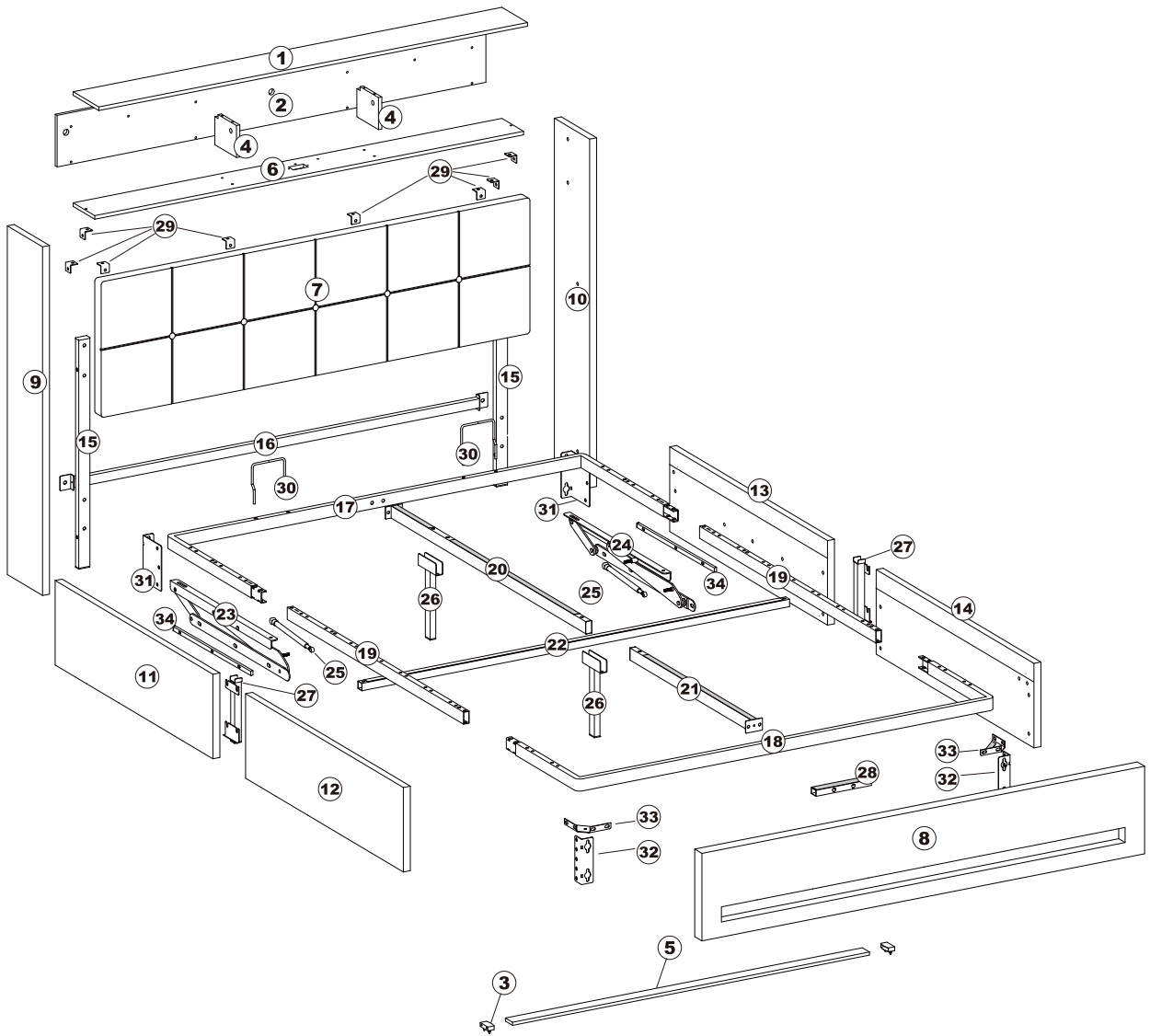
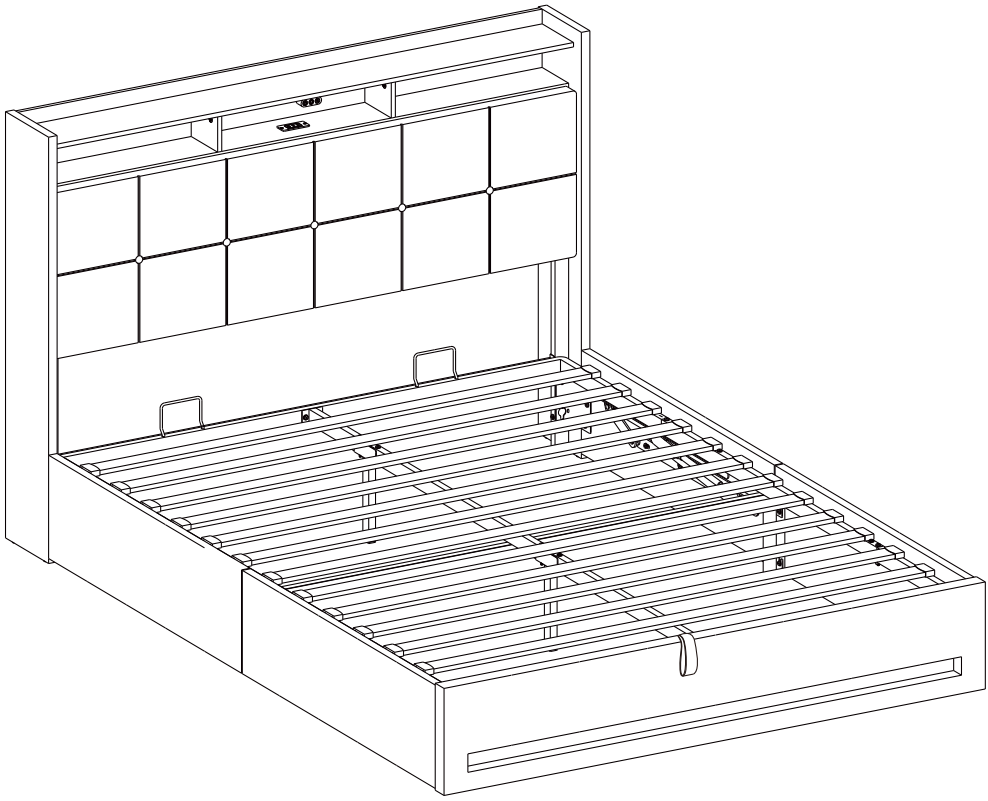
Solución de problemas:

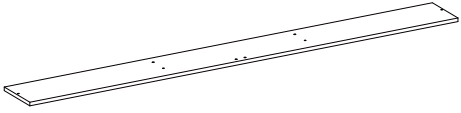
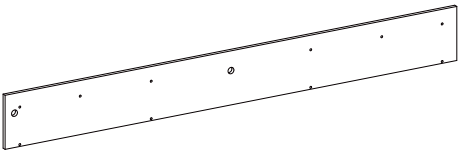
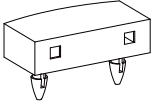
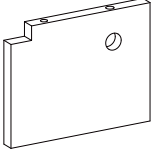
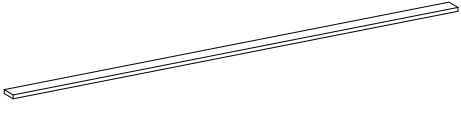
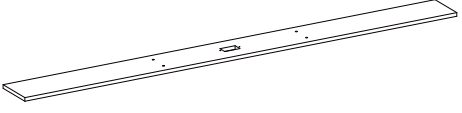
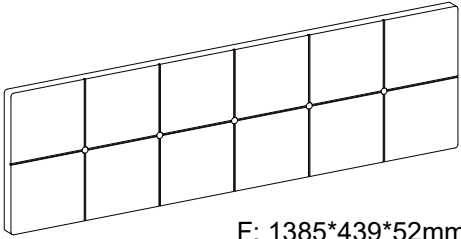
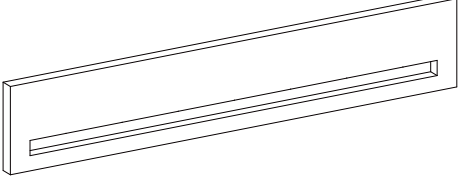
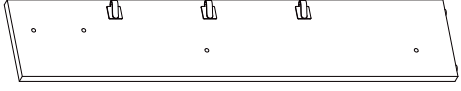
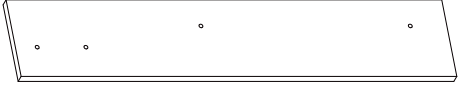
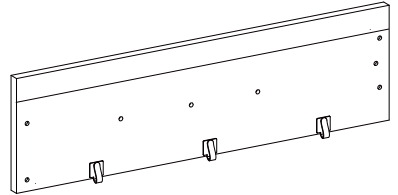
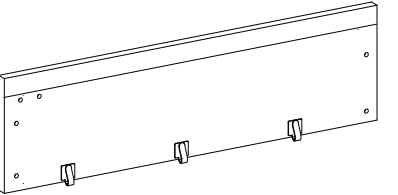


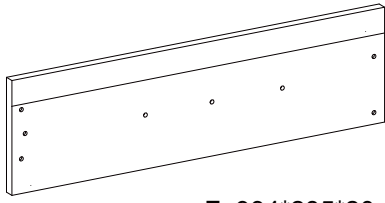
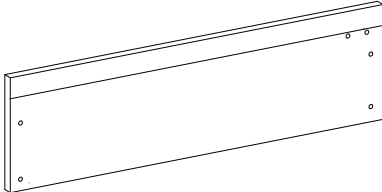

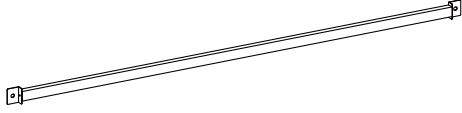
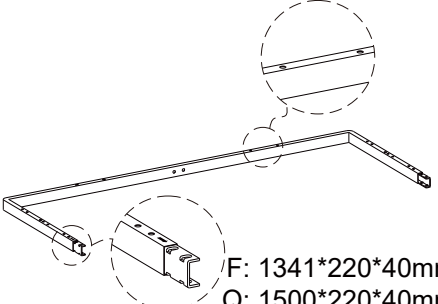
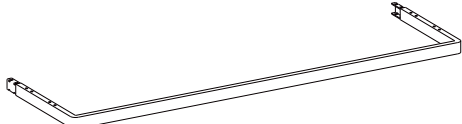
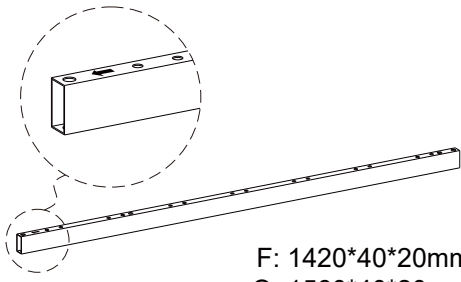
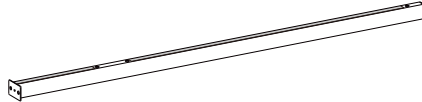


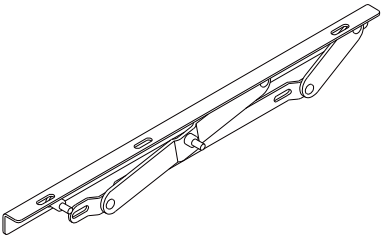
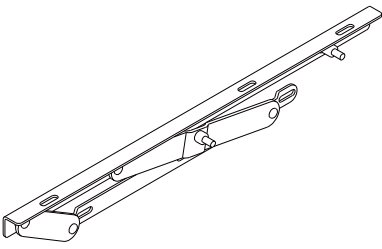
Dirigimos nuestro propio fabricante, así que descansa. Asegurado sobre la consistencia de la calidad

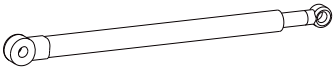
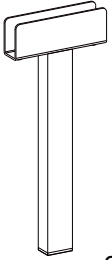
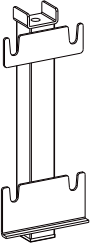
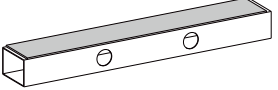
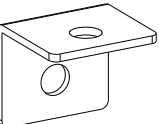
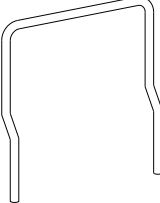
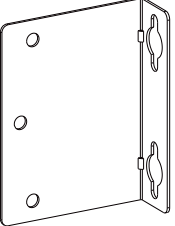
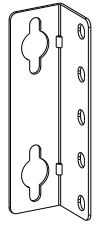
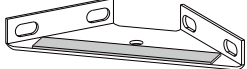
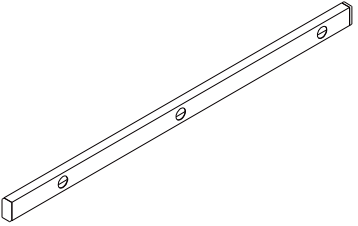


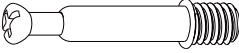



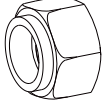

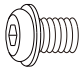
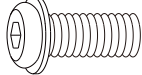
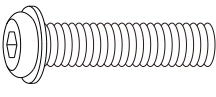
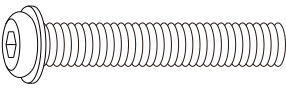
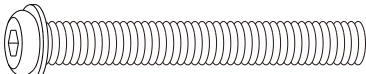
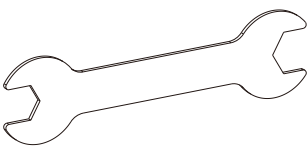
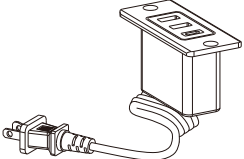
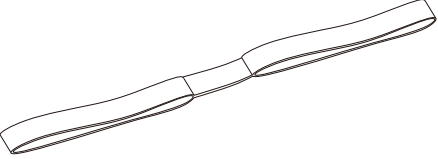
Descripción del artículo: Marco de cama

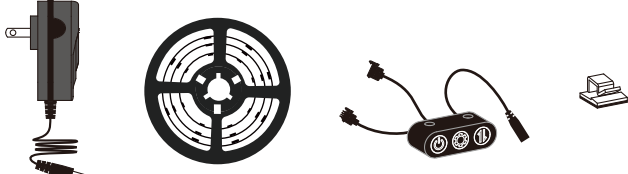
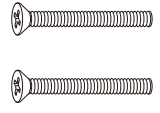


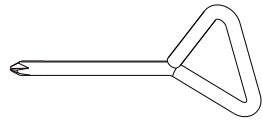
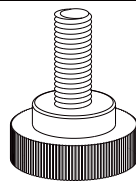
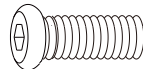


<p>1</p>	 <p>F: 1385*160*12mm Q: 1540*160*12mm</p>	<p>1</p>	<p>2</p>	 <p>F: 1385*160*12mm Q: 1540*160*12mm</p>	<p>1</p>
<p>3</p>	 <p>55*30mm</p>	<p>24 +2</p>	<p>4</p>	 <p>135*106*12mm</p>	<p>2</p>
<p>5</p>	 <p>F: 1335*52*12mm Q: 1495*52*12mm</p>	<p>12</p>	<p>6</p>	 <p>F: 1385*135*12mm Q: 1540*135*12mm</p>	<p>1</p>
<p>7</p>	 <p>F: 1385*439*52mm Q: 1545*439*52mm</p>	<p>1</p>	<p>8</p>	 <p>F: 1425*286*35mm Q: 1585*286*35mm</p>	<p>1</p>
<p>9</p>	 <p>1545*439*52mm</p>	<p>1</p>	<p>10</p>	 <p>1545*439*52mm</p>	<p>1</p>
<p>11</p>	 <p>F: 934*285*20mm Q: 990*285*20mm</p>	<p>1</p>	<p>12</p>	 <p>F: 934*285*20mm Q: 990*285*20mm</p>	<p>1</p>


<p>13</p>	 <p>F: 934*285*20mm Q: 990*285*20mm</p>	<p>1</p>	<p>14</p>	 <p>F: 934*285*20mm Q: 990*285*20mm</p>	<p>1</p>
<p>15</p>	 <p>759*40*20mm</p>	<p>2</p>	<p>16</p>	 <p>F: 1376*50*20mm Q: 1536*50*20mm</p>	<p>1</p>
<p>17</p>	 <p>F: 1341*220*40mm Q: 1500*220*40mm</p>	<p>1</p>	<p>18</p>	 <p>F: 1341*220*40mm Q: 1500*220*40mm</p>	<p>1</p>
<p>19</p>	 <p>F: 1420*40*20mm Q: 1560*40*20mm</p>	<p>2</p>	<p>20</p>	 <p>F: 1165*40*20mm Q: 1220*40*20mm</p>	<p>1</p>
<p>21</p>	 <p>F: 705*40*20mm Q: 760*40*20mm</p>	<p>1</p>	<p>22</p>	 <p>F: 1385*25*25mm Q: 1540*25*25mm</p>	<p>1</p>
<p>23</p>	 <p>590*77*45mm</p>	<p>1</p>	<p>24</p>	 <p>590*77*45mm</p>	<p>1</p>

<p>25</p>	 <p>750N 347*22mm</p>	<p>2</p>	<p>26</p>	 <p>262*110*26mm</p>	<p>2</p>
<p>27</p>	 <p>205*84*10mm</p>	<p>2</p>	<p>28</p>	 <p>208*30*20mm</p>	<p>1</p>
<p>29</p>	 <p>27*27*30mm</p>	<p>8</p>	<p>30</p>	 <p>122*130mm</p>	<p>2</p>
<p>31</p>	 <p>116*150*38mm</p>	<p>2</p>	<p>32</p>	 <p>150*40*40mm</p>	<p>2</p>
<p>33</p>	 <p>152*52*22mm</p>	<p>2</p>	<p>34</p>	 <p>435*20*10mm</p>	<p>2</p>


A		2 +1	B		2 +1
	Ø6*35mm			Ø15*10mm	
C		12 +2	D		4 +1
	Ø5*35mm			Ø6*30mm	
E		14 +2	F		2 +1
	5/16			Ø3.5*10mm	
G		12 +2	H		40 +4
	1/4*13mm			5/16*16mm	
I		6 +1	J		6 +1
	5/16*30mm			5/16*40mm	
K		20 +2	L		1
	5/16*55mm			1/4+5/16	
M		1	N		1
	2M			Bandage	

O					1		
	F: 1.2M Q: 1.4M		M4*28mm				
P			1	Q			1
	M3				M4		
R			1	S			2 +1
	100*30mm				Ø28*8xM8*18mm		
T			6 +1				
	1/4*19mm						

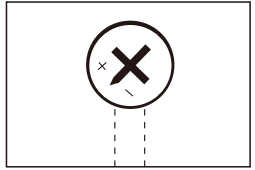
INTRODUCTION



Bolt

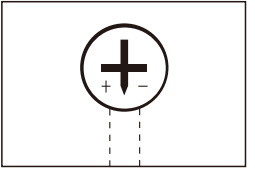


Connecting piece



X

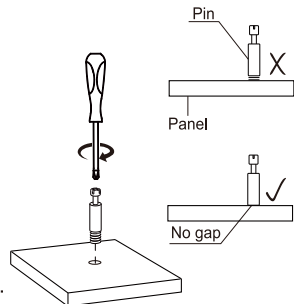
Adjust connecting piece direction until it is properly lined up with the hole.



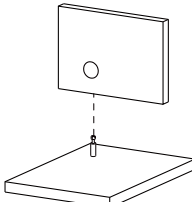
+

✓

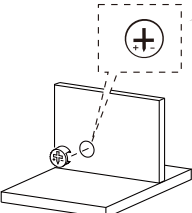
Insert bolt when connecting piece direction is properly lined up.



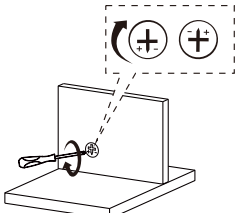
1. **Pin**
Panel
No gap



2.

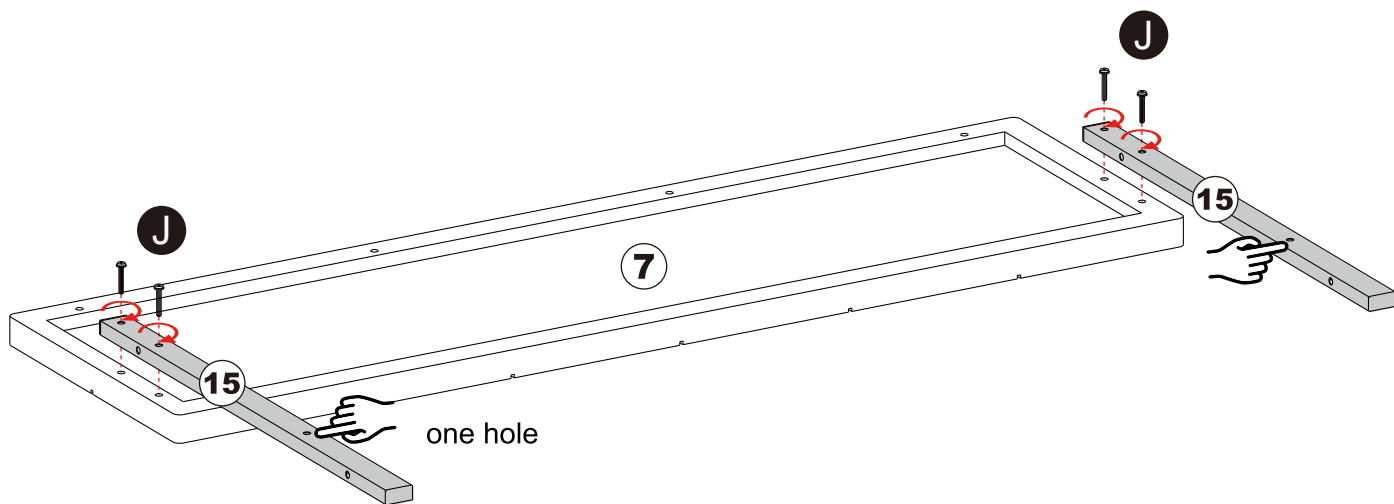
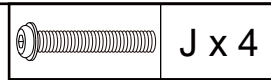


3.



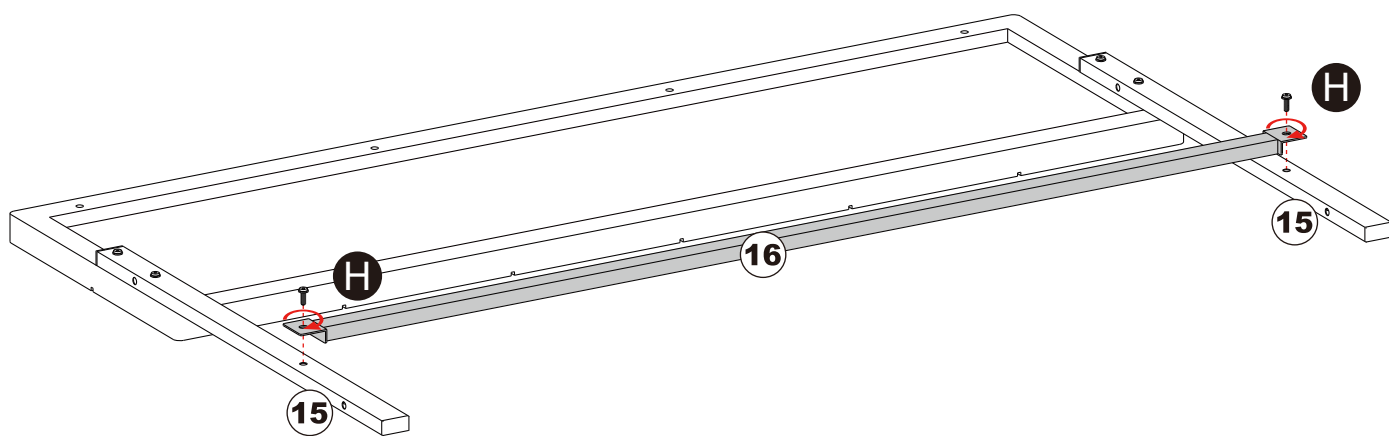
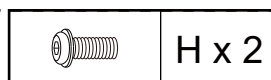
4.

Step 1

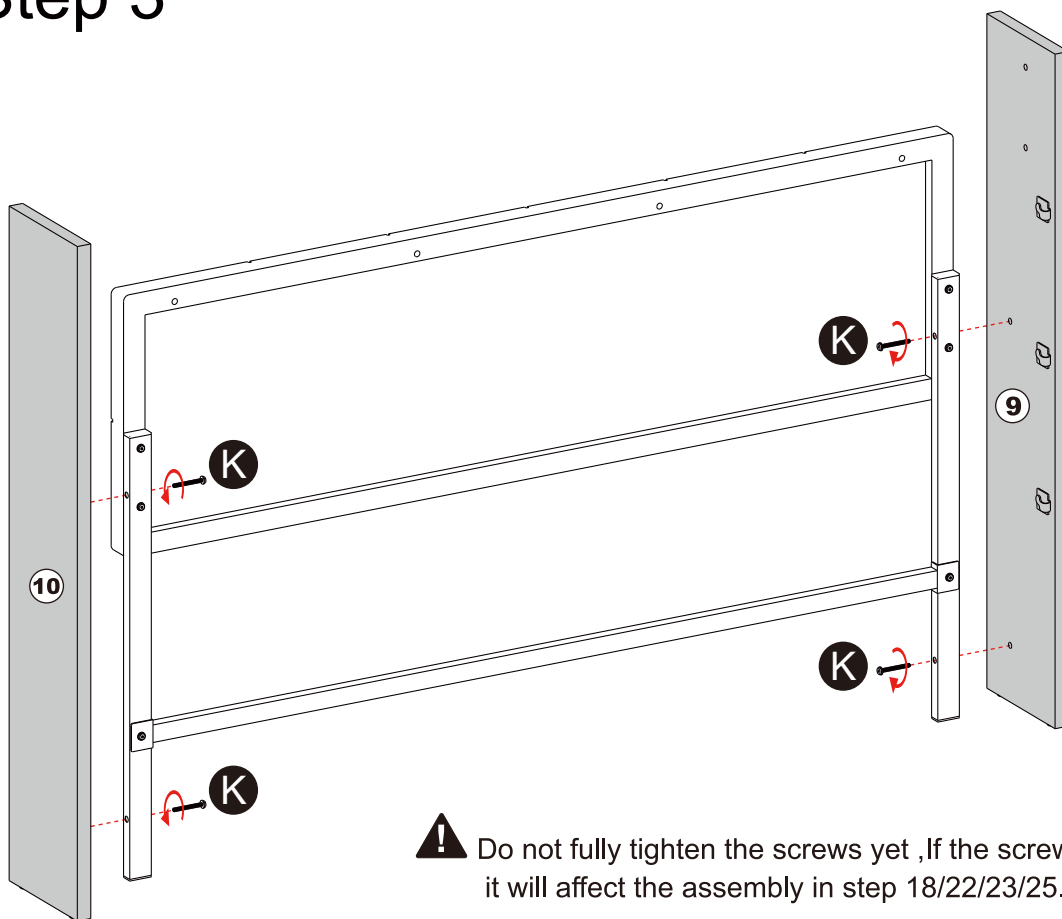
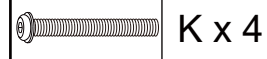


! Please pay attention to the direction of the 15.

Step 2



Step 3



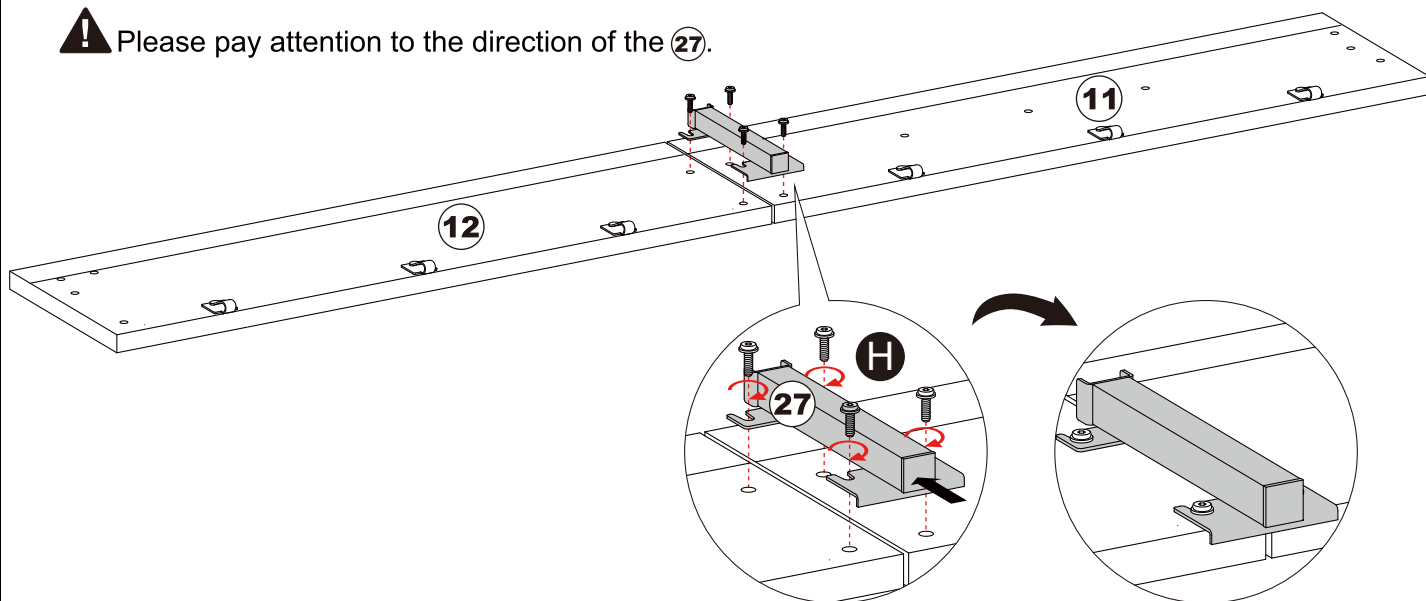
! Do not fully tighten the screws yet ,If the screws are fully tightened, it will affect the assembly in step 18/22/23/25.

Step 4



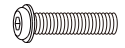
! Do not fully tighten the screws yet.

! Please pay attention to the direction of the 27.



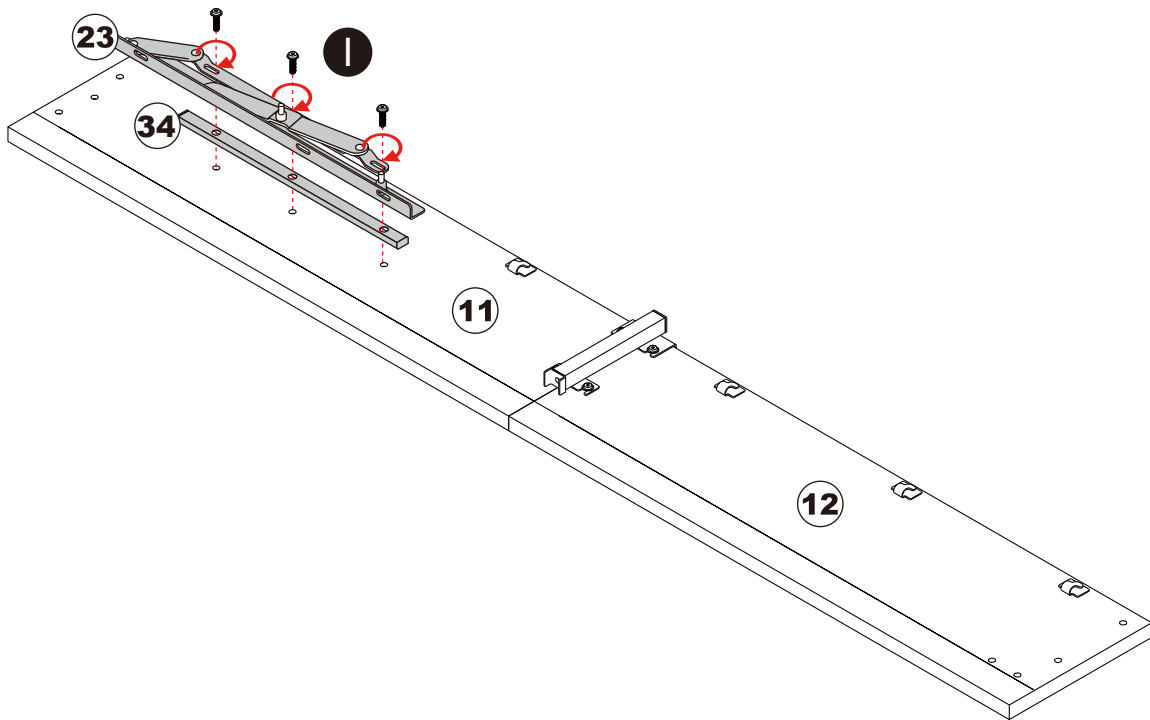
! Please push the bottom of part 27 when you install it.

Step 5



1 x 3

! Do not fully tighten the screws yet.



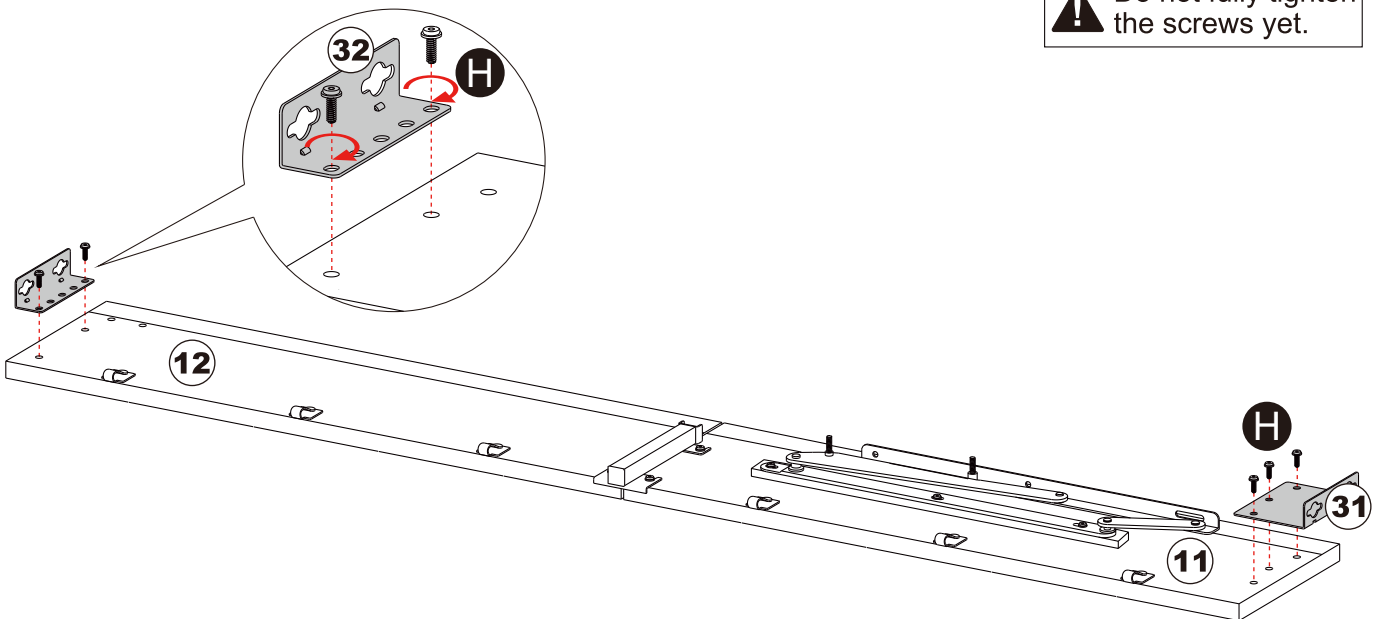
! Please do not tighten the screws completely until step 36, this is important for subsequent assembly.

Step 6



H x 5

! Do not fully tighten the screws yet.



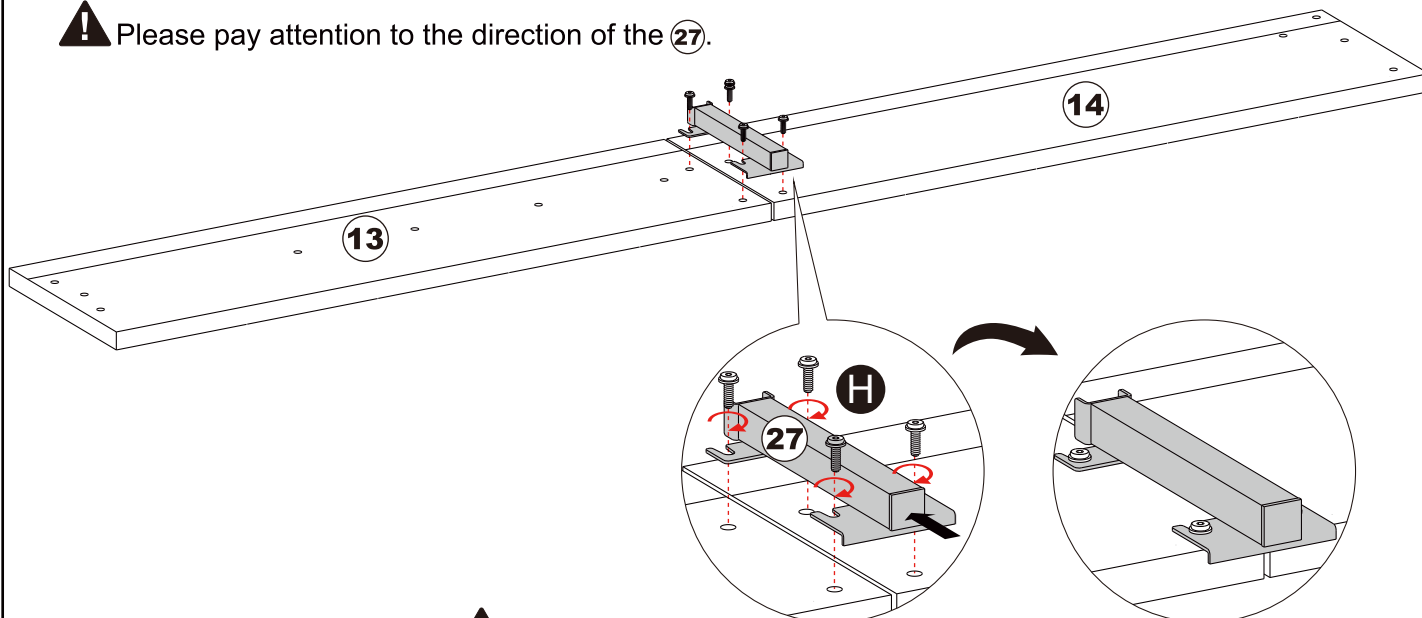
Step 7



H x 4

! Do not fully tighten the screws yet.

! Please pay attention to the direction of the 27.

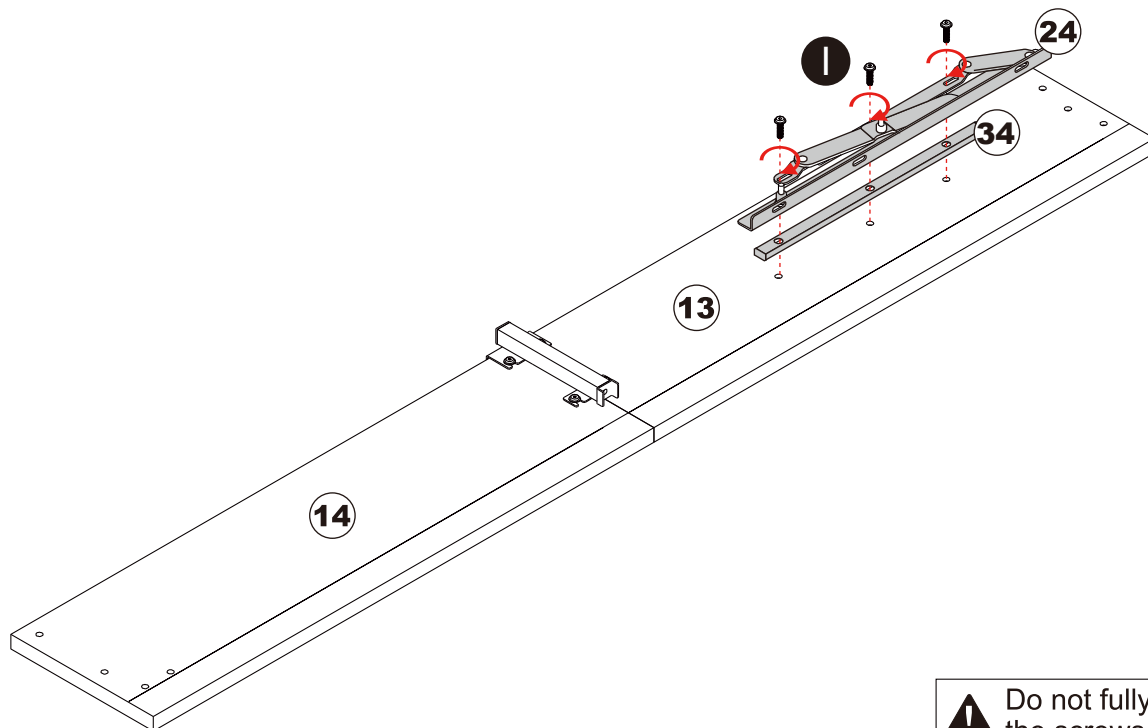


! Please push the bottom of part 27 when you install it.

Step 8



I x 3



! Do not fully tighten the screws yet.

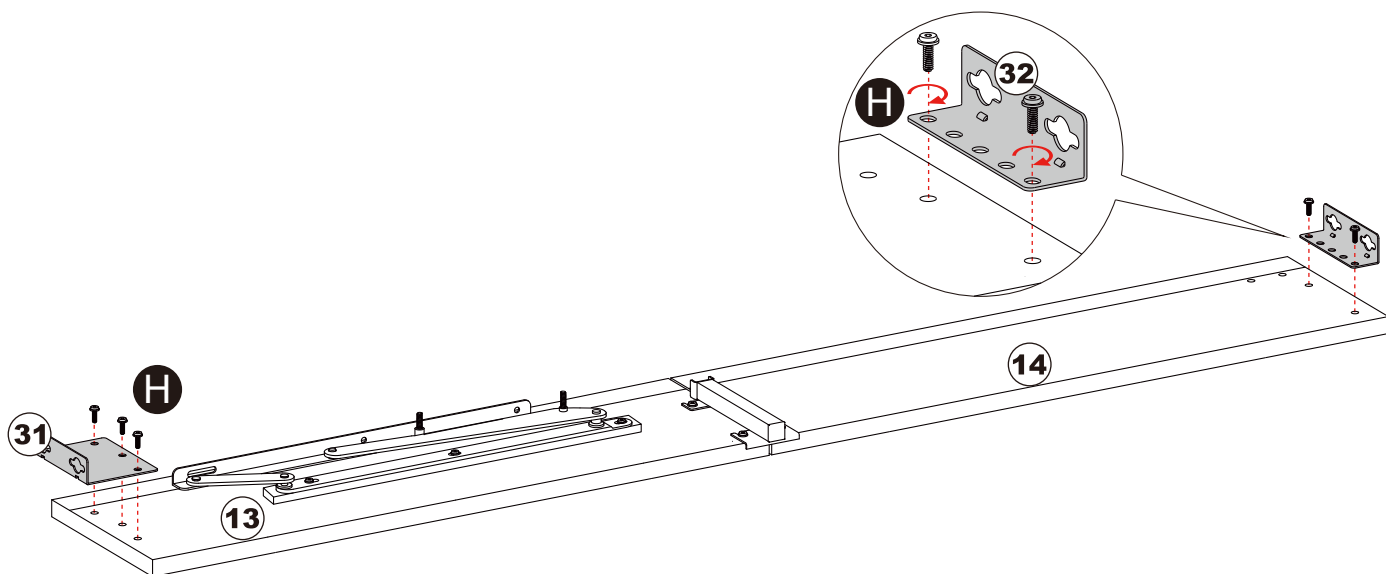
! Please do not tighten the screws completely until step 36, this is important for subsequent assembly

Step 9



H x 5

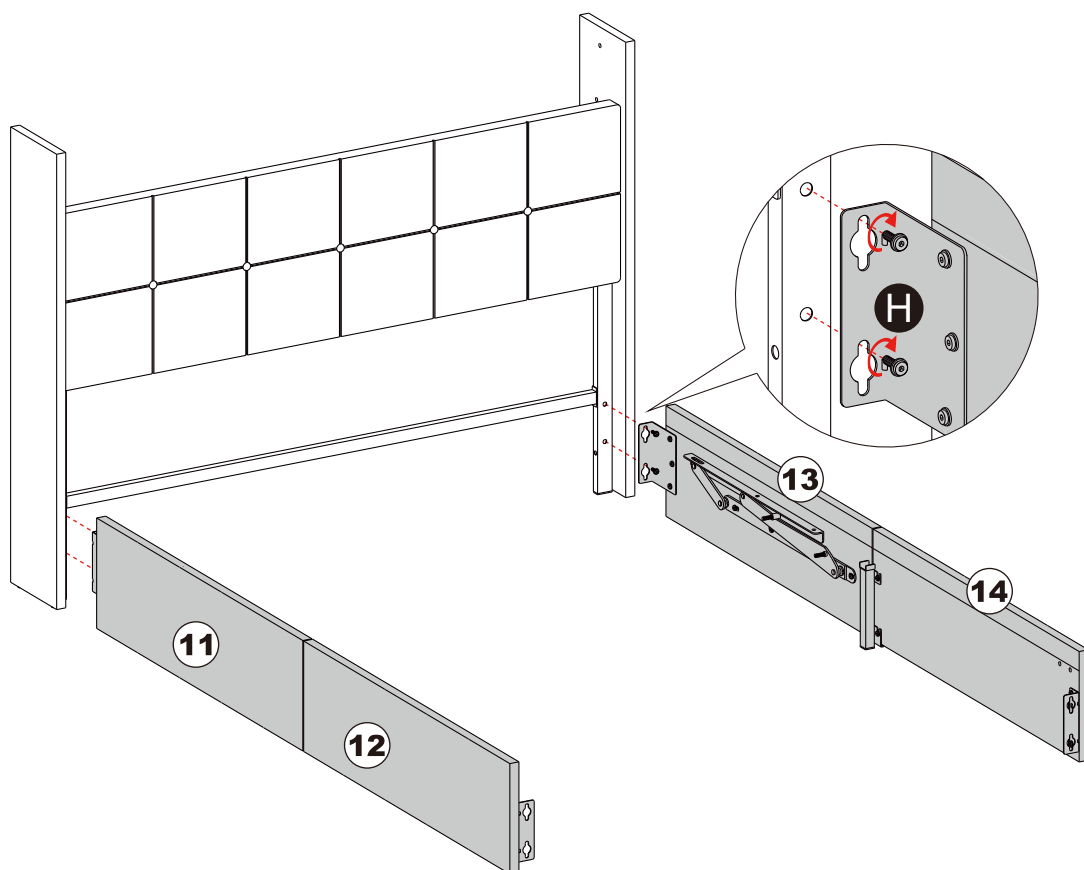
! Do not fully tighten the screws yet.



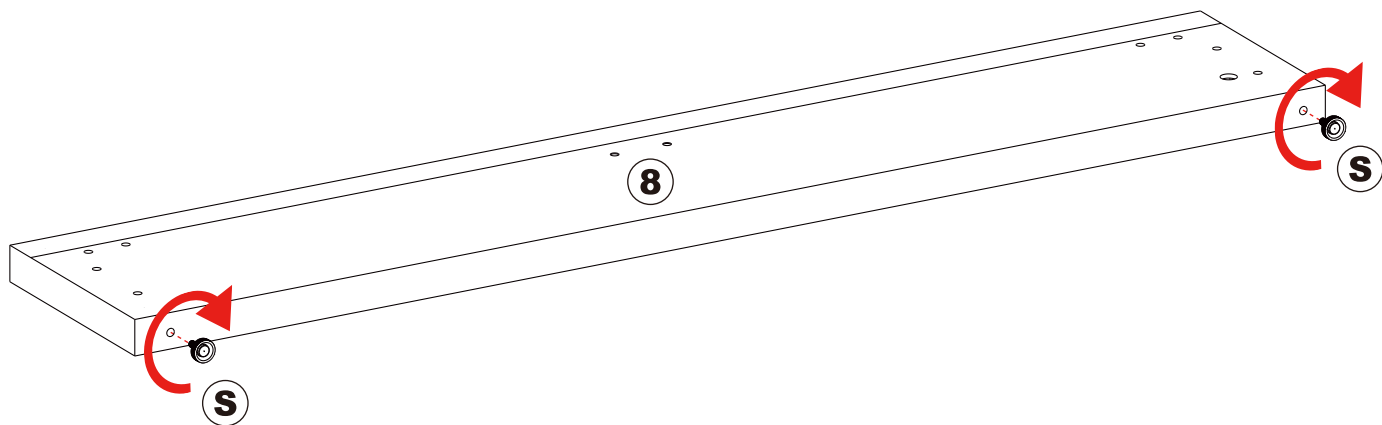
Step 10



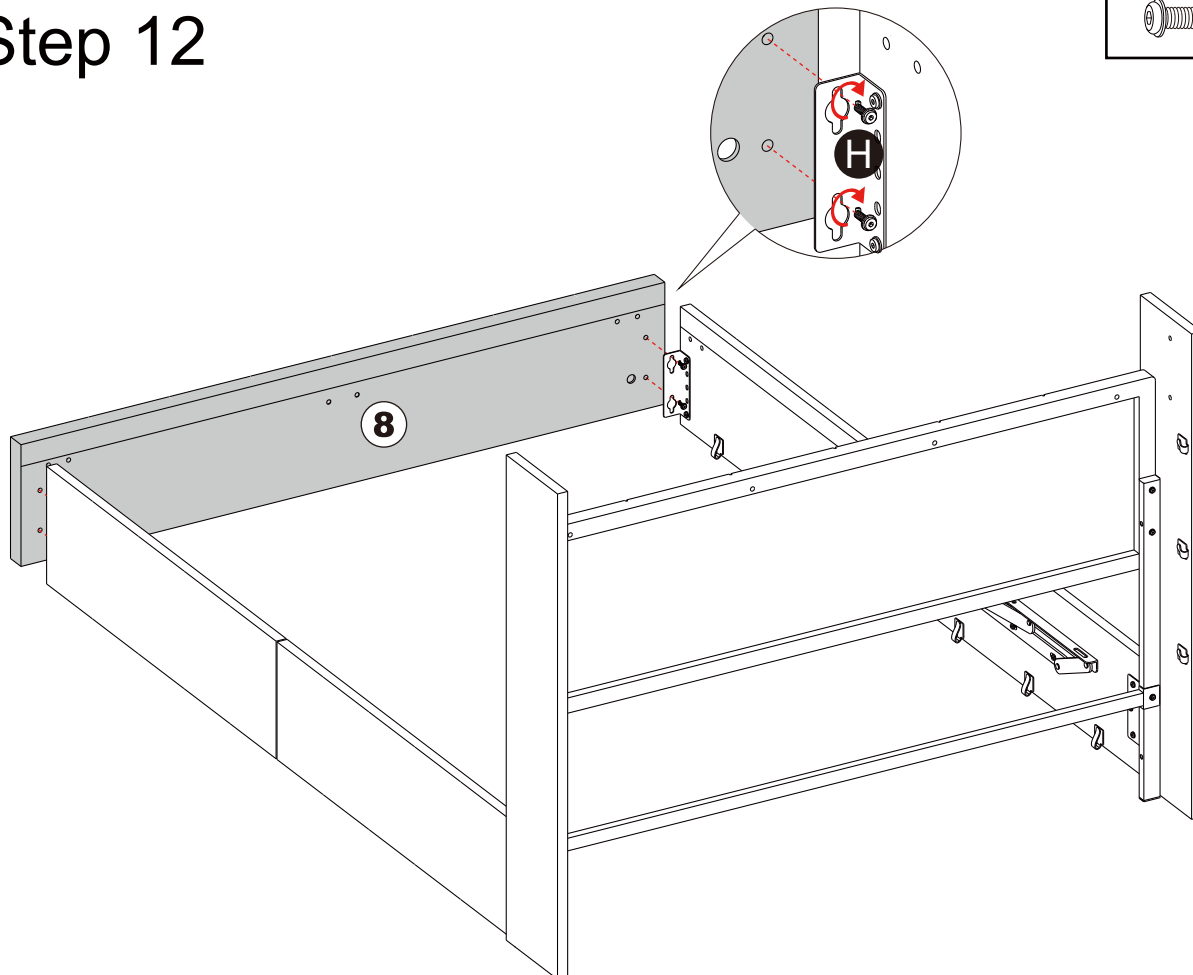
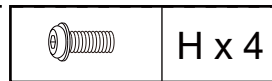
H x 4



Step 11



Step 12

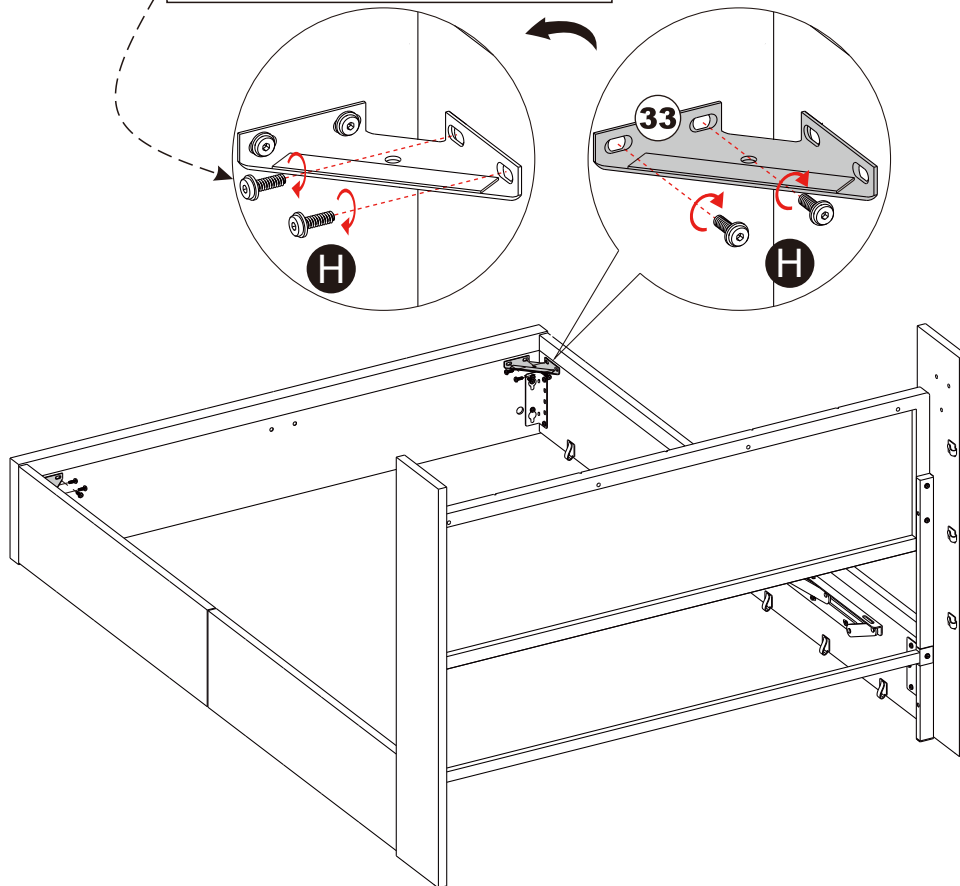


Step 13

Lifting the sides of the bed makes it easier for you to install screws.



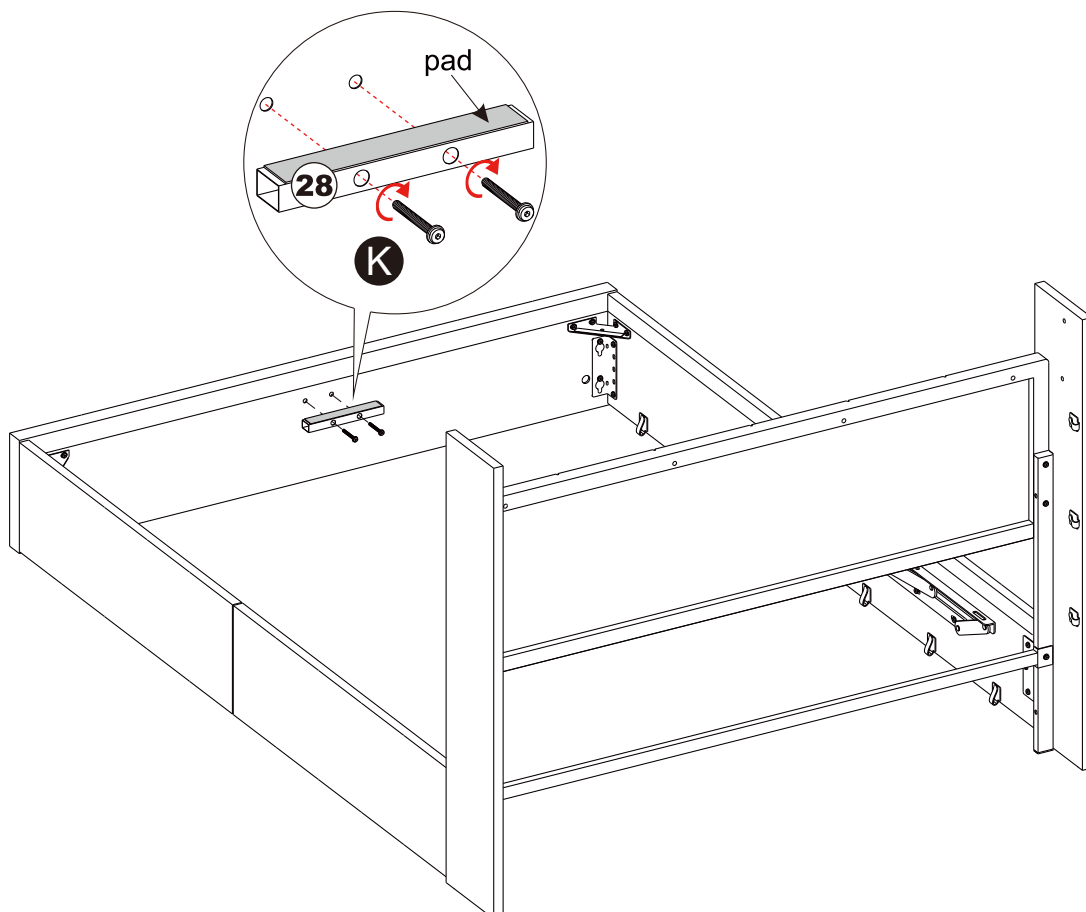
H x 8



Step 14



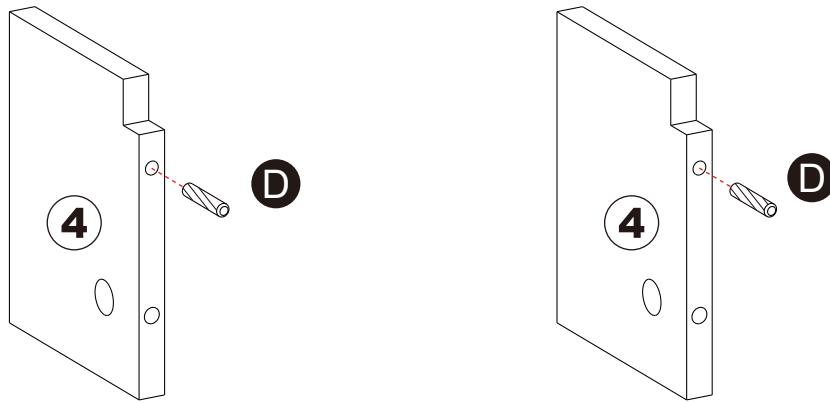
K x 2



Step 15



D x 2



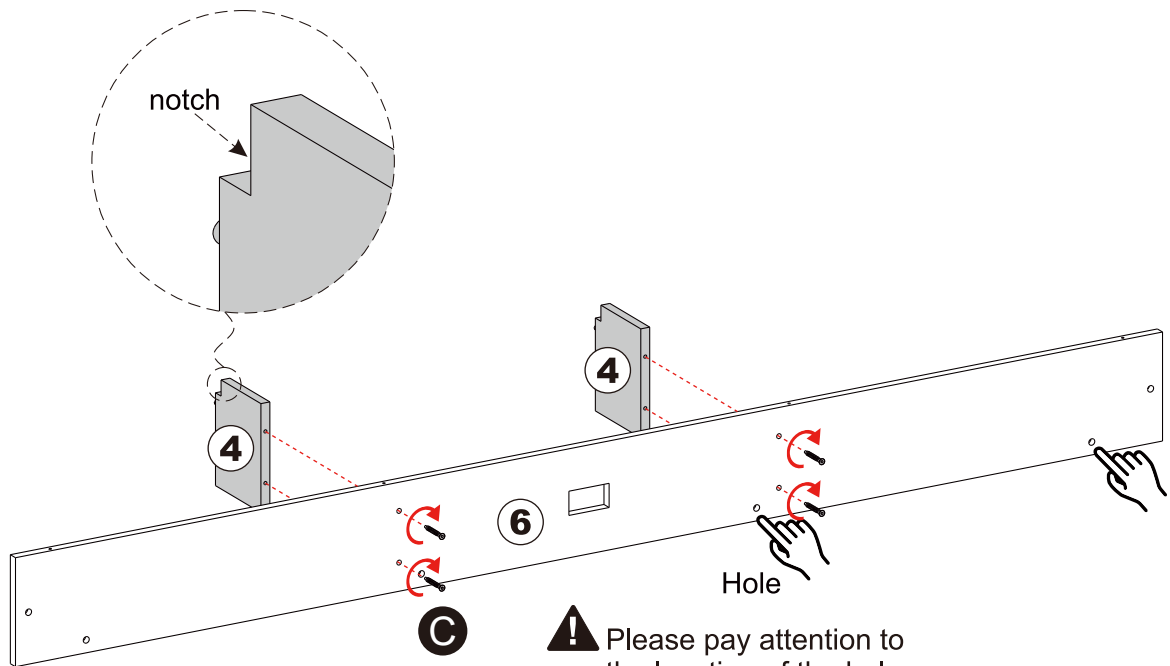
Step 16



C x 4

! Please pay attention to the direction.

! The screws in this step need to be tightened.



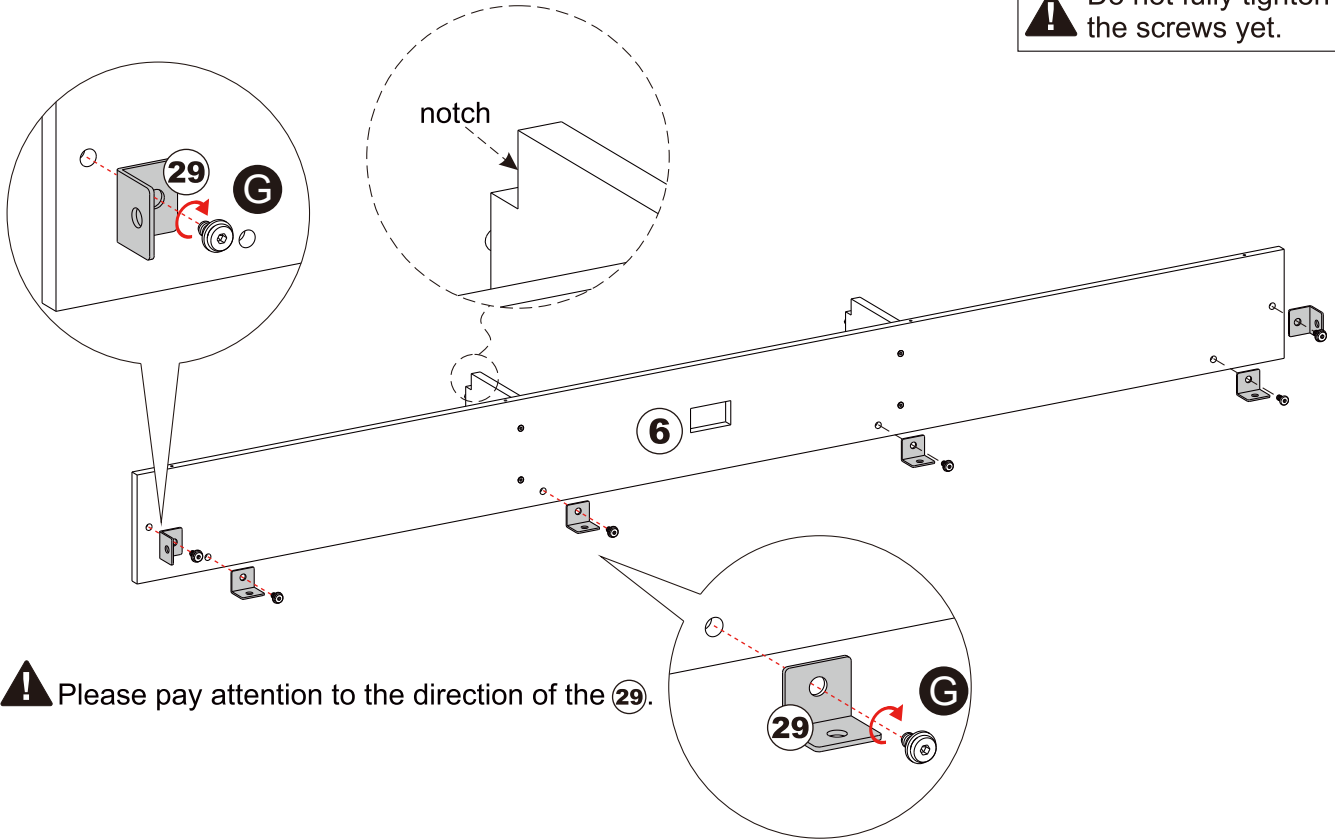
! Please pay attention to the location of the holes.

Step 17

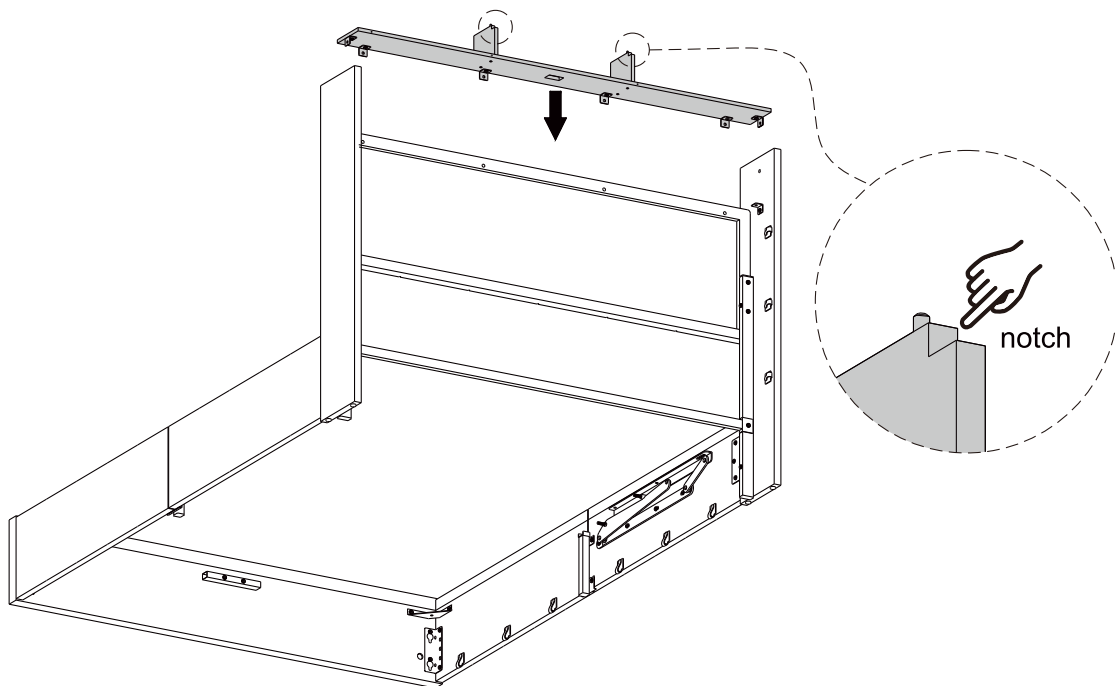
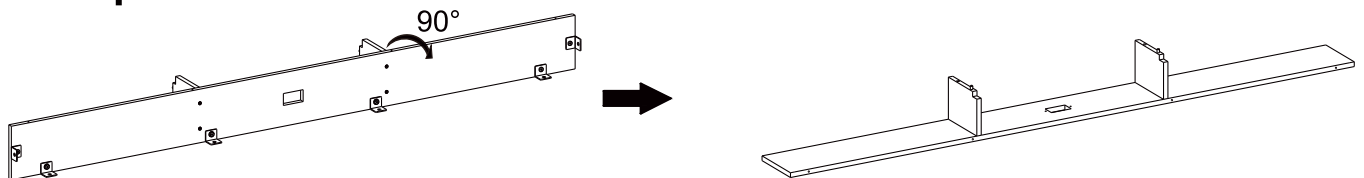


G x 6

! Do not fully tighten the screws yet.



Step 18



Step 19

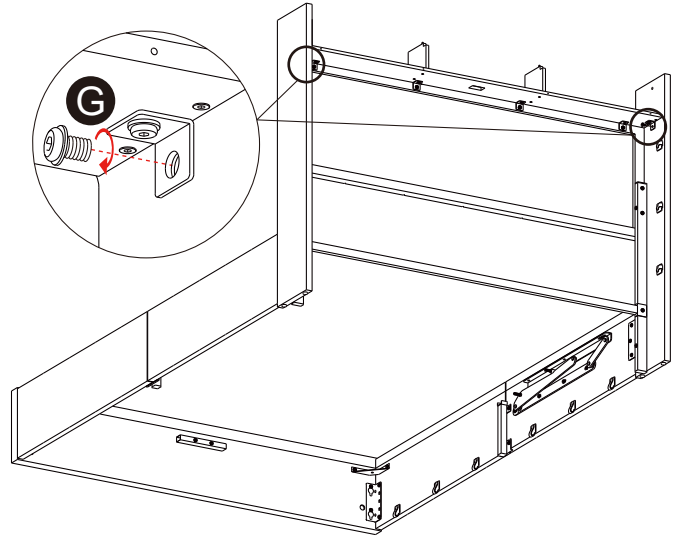
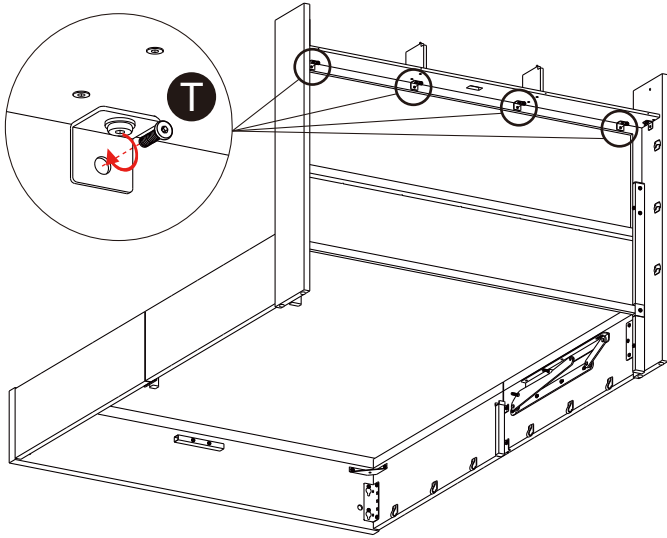


G x 2



T x 4

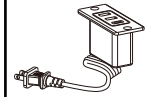
⚠ Pay attention to the installation parts of T screws and G screws, do not mix!



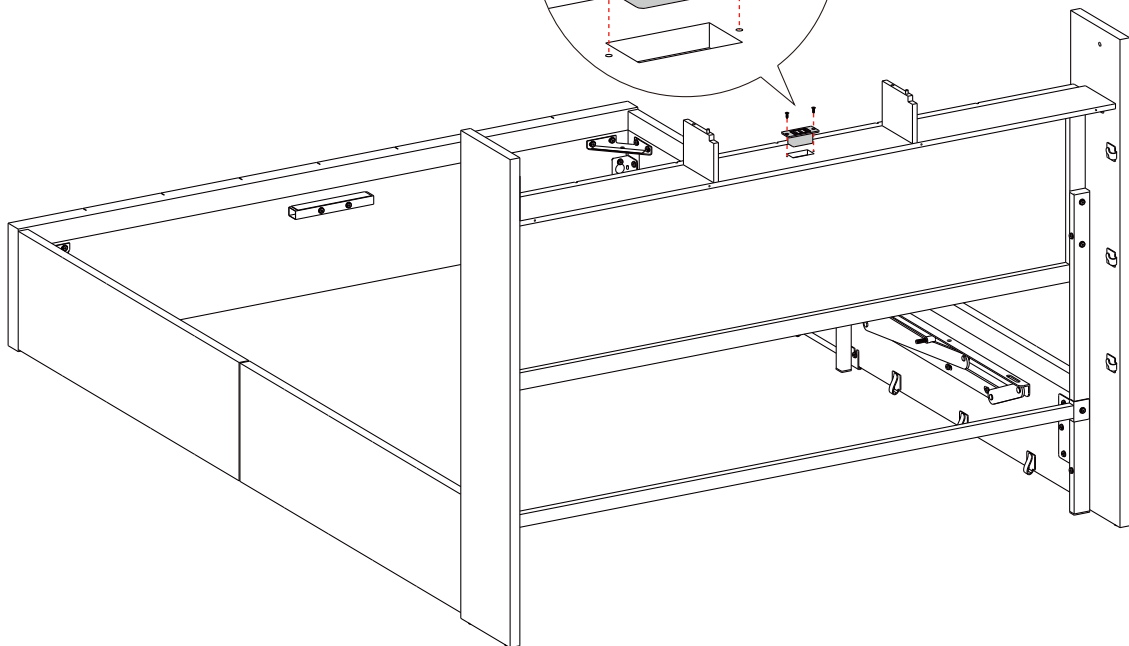
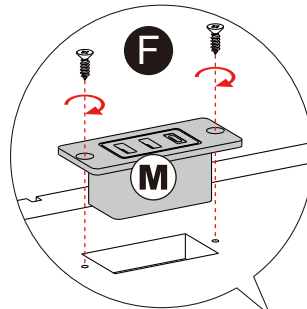
Step 20



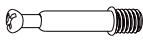

F x 2

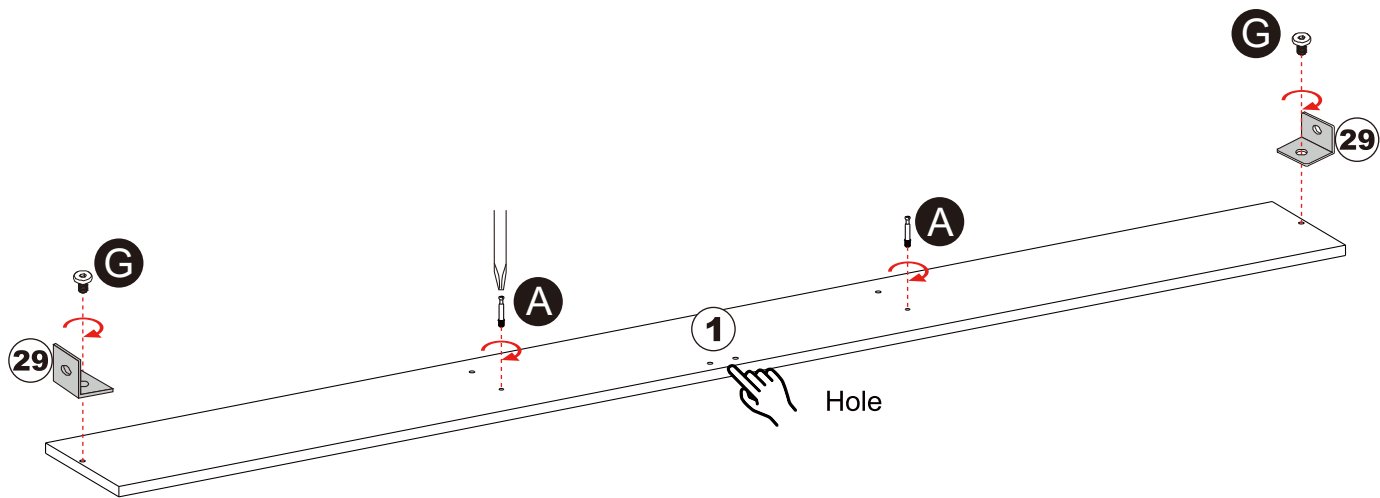


M x 1

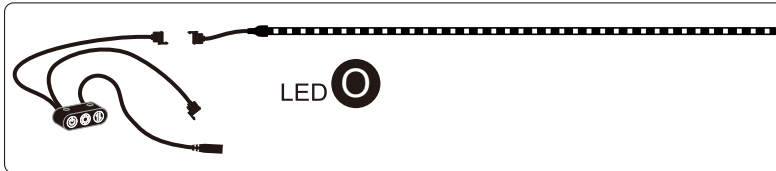


Step 21

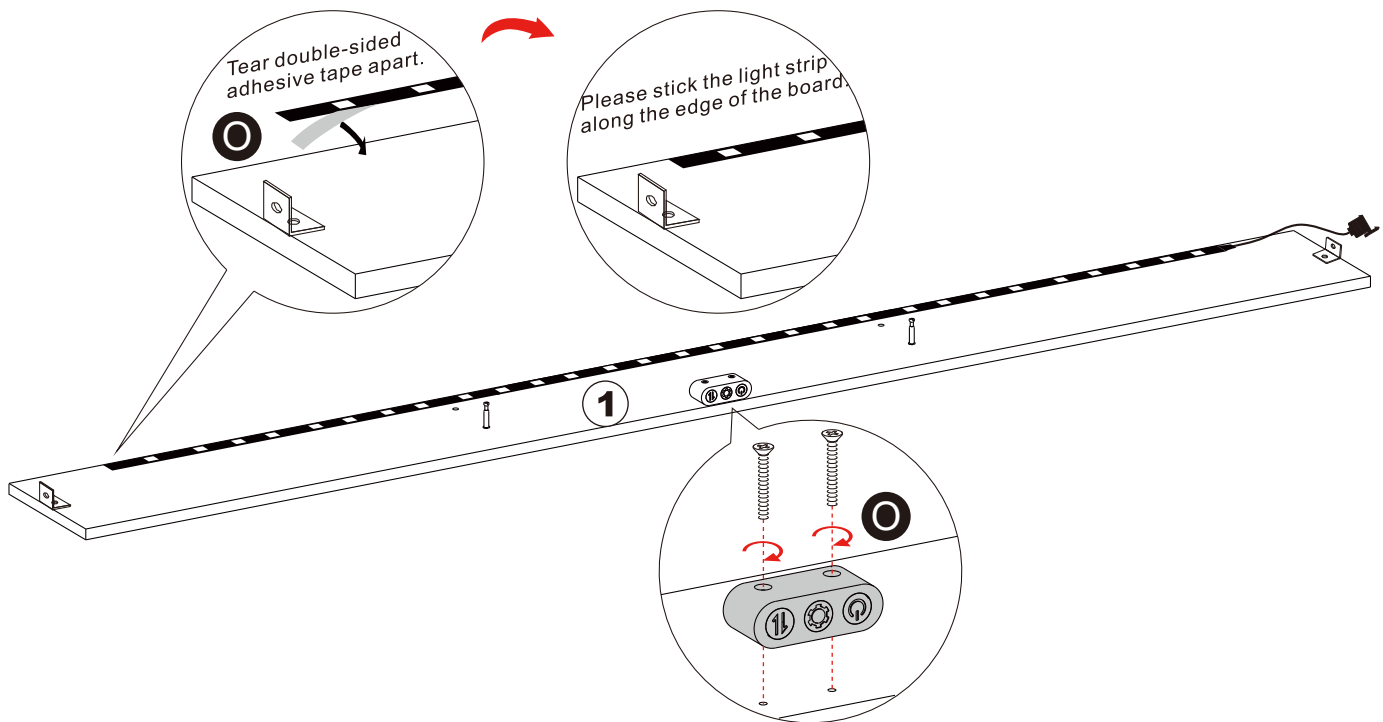
	A x 2		G x 2
--	-------	---	-------



Step 22



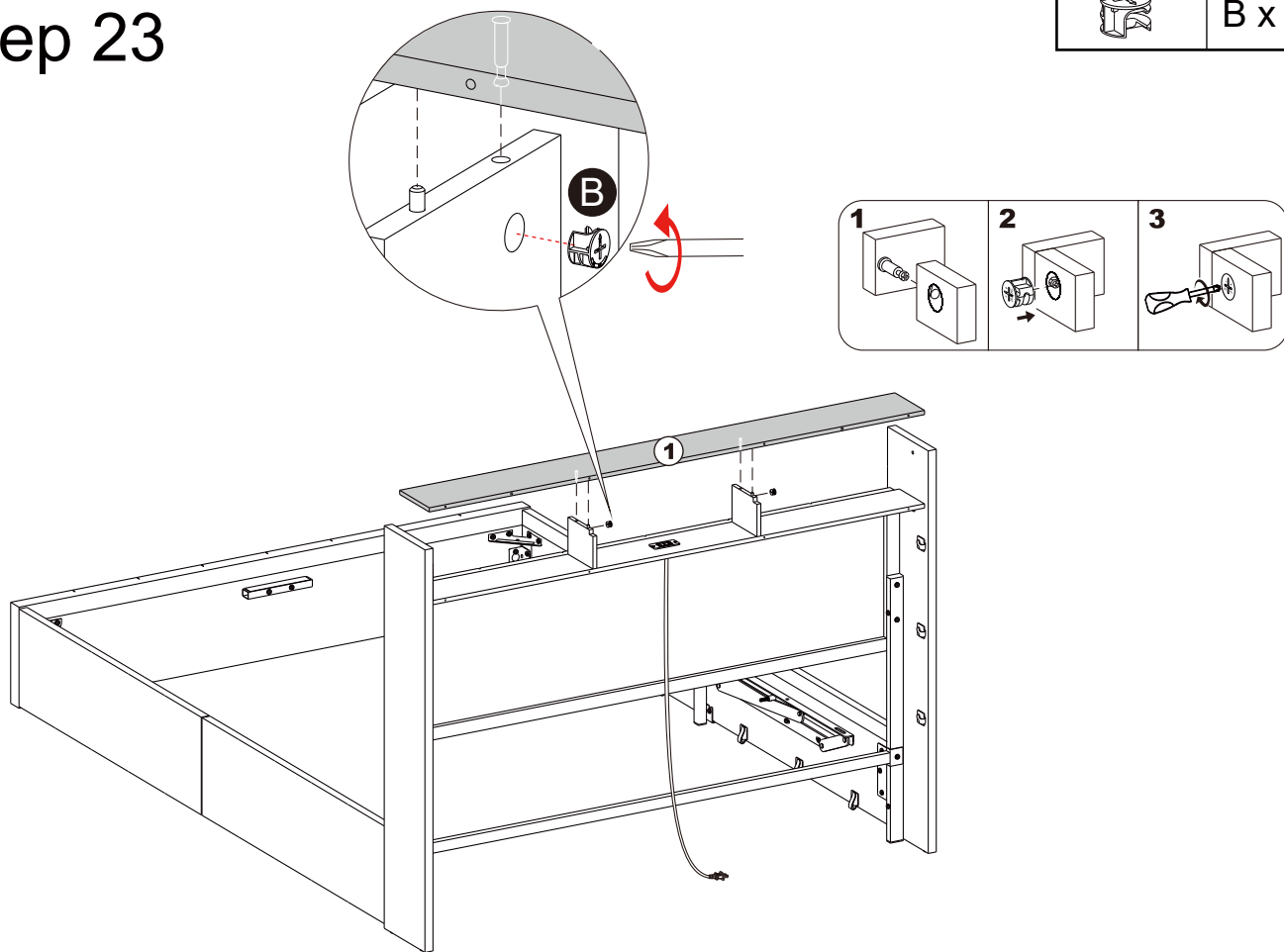
	O x 1
---	-------



Step 23




B x 2

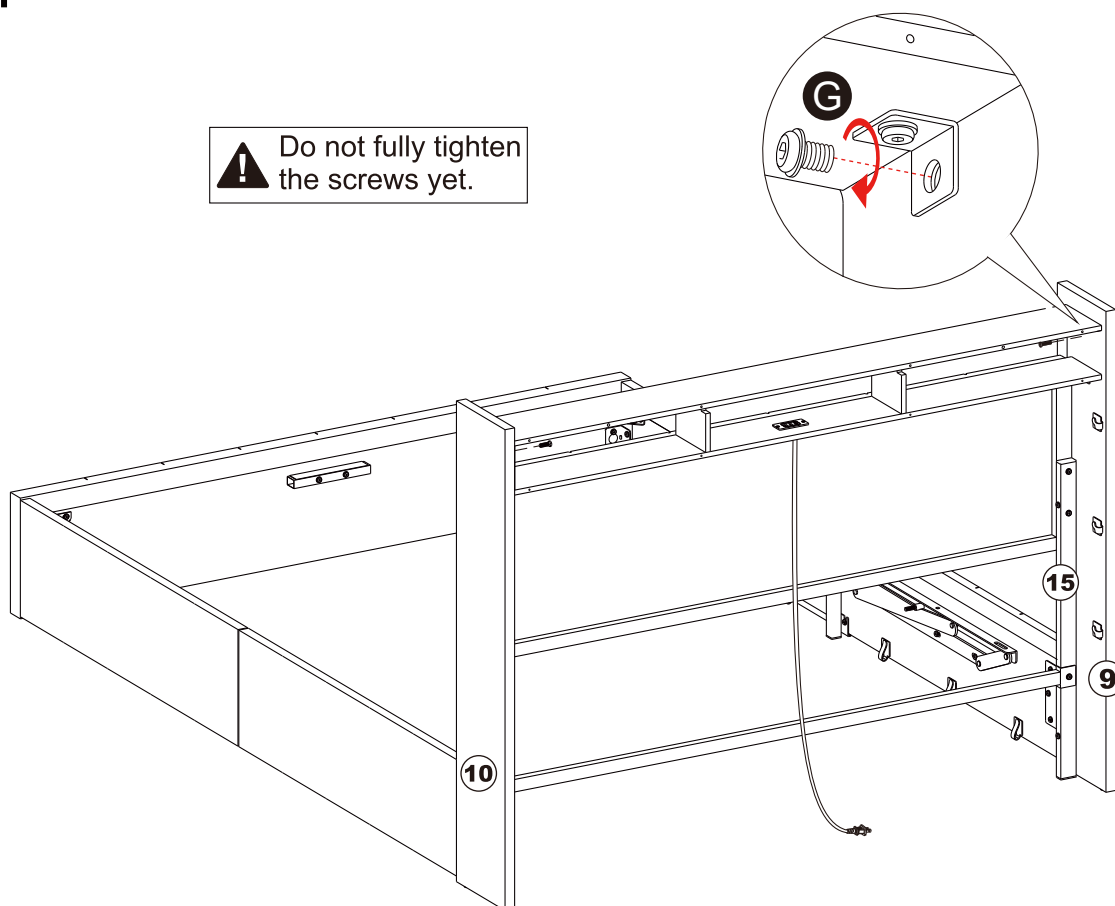


Step 24




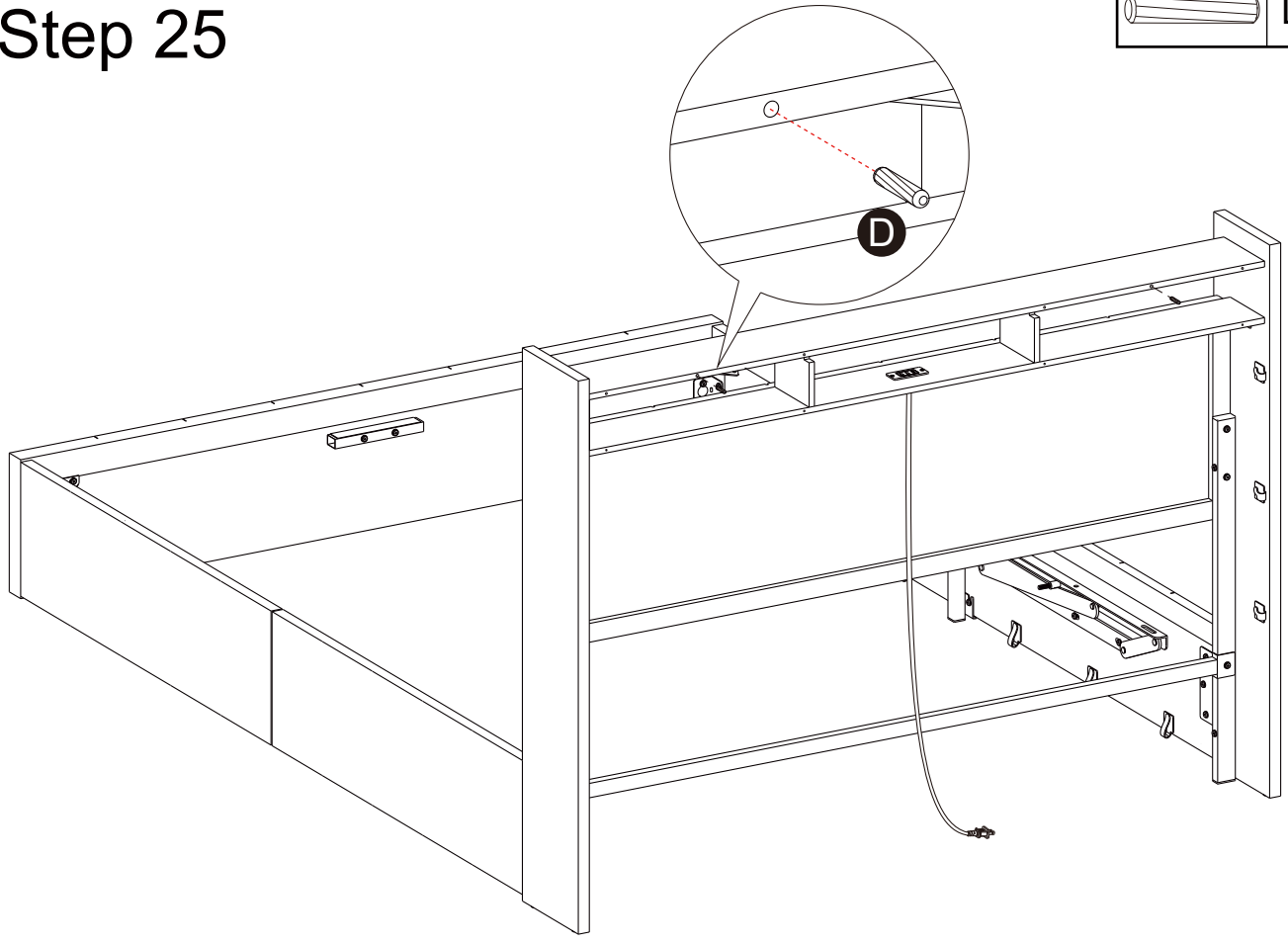
G x 2

 Do not fully tighten the screws yet.




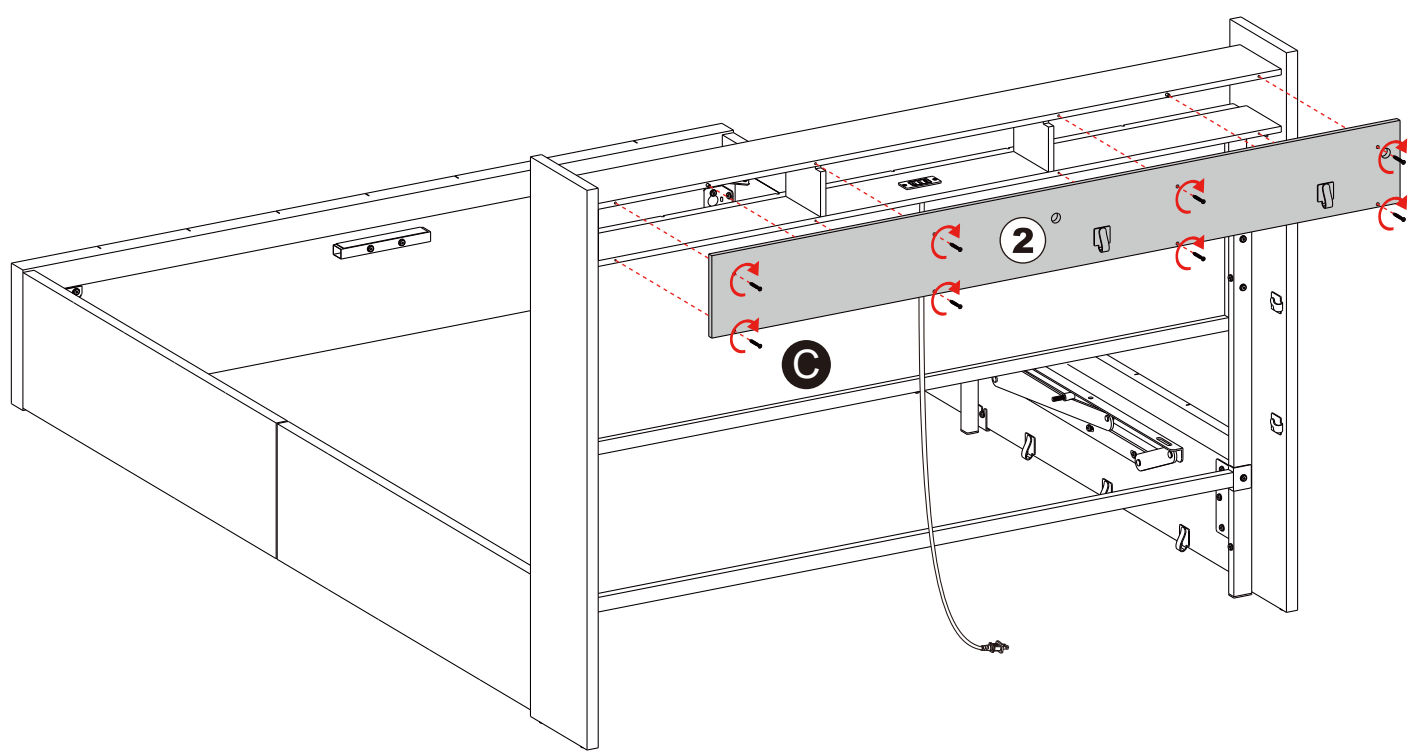
Step 25

 D x 2



Step 26

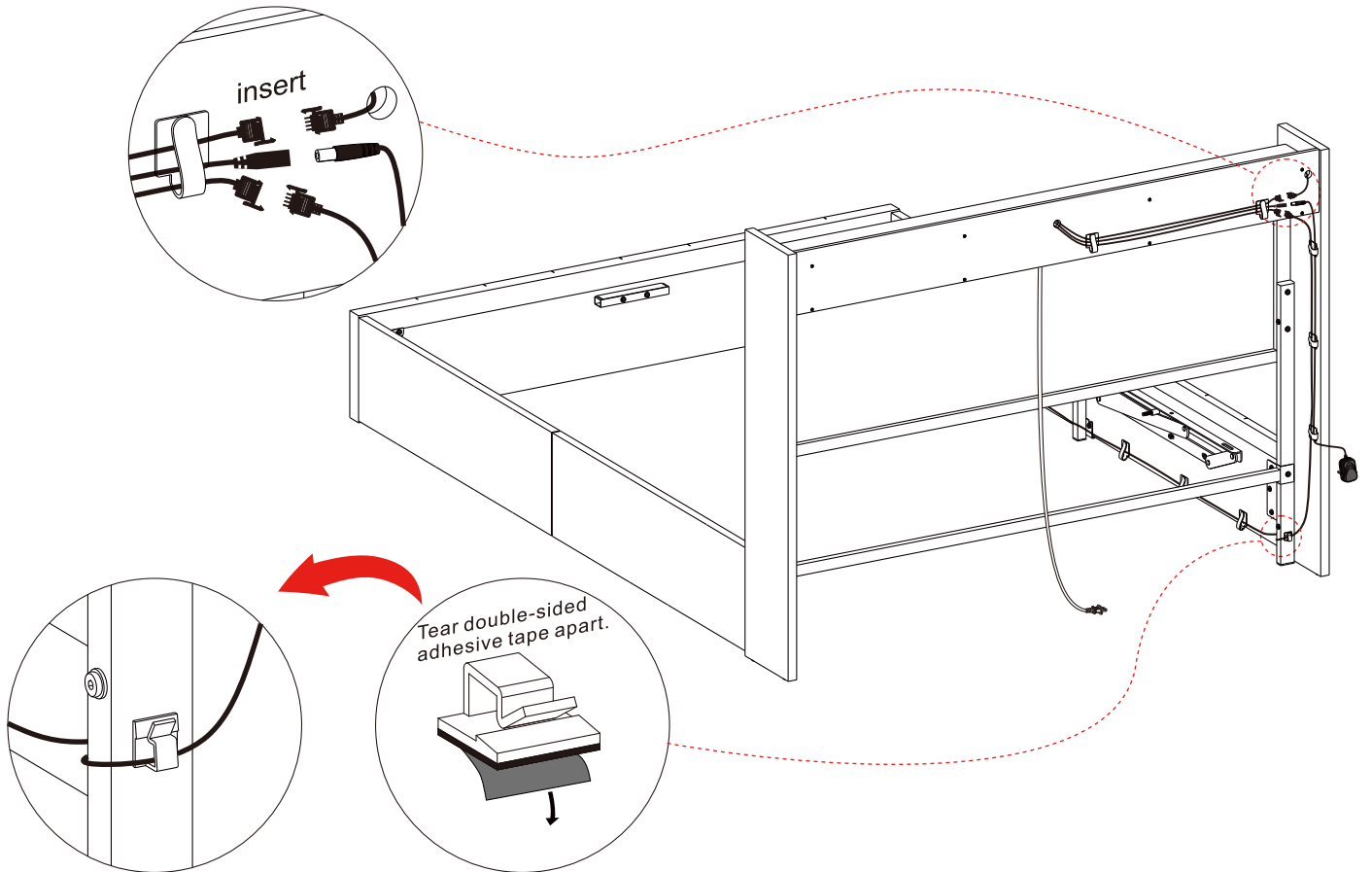
 C x 8



Step 29



O x 1



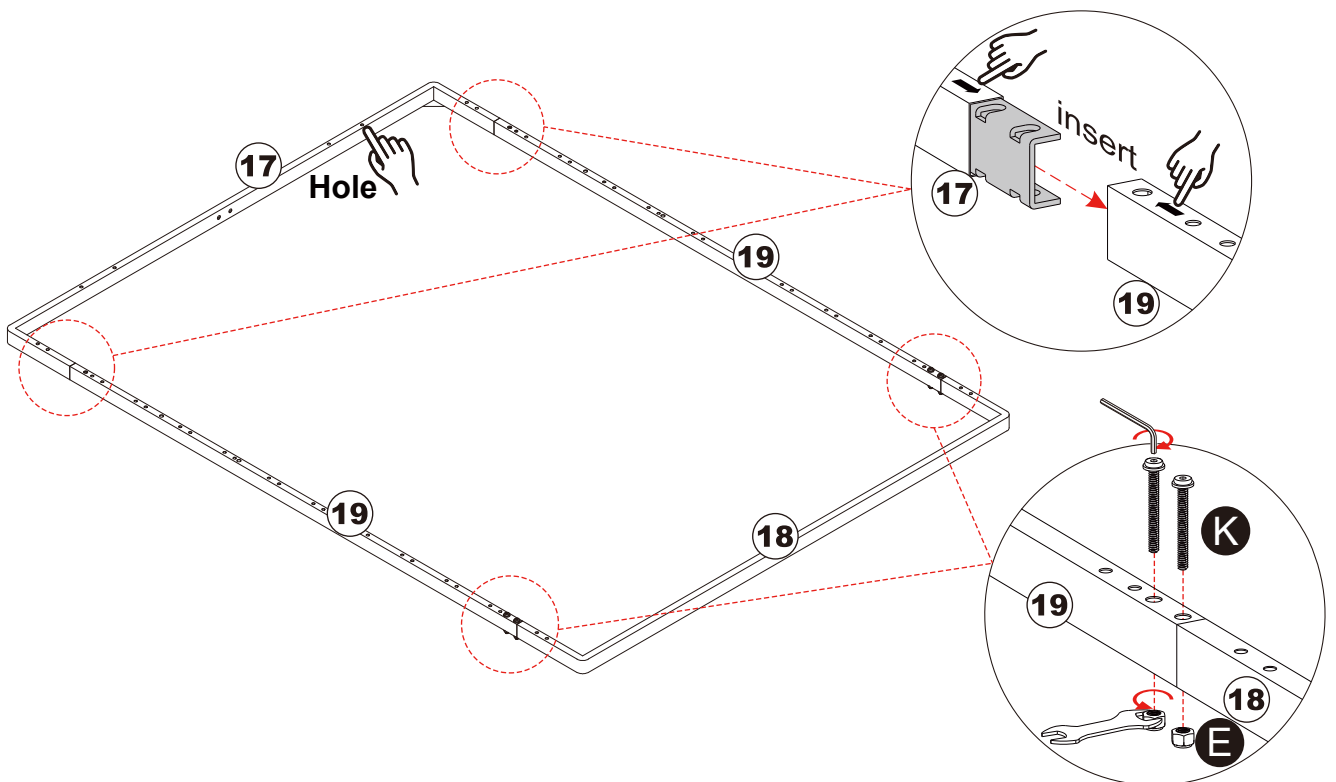
Step 30



K x 4



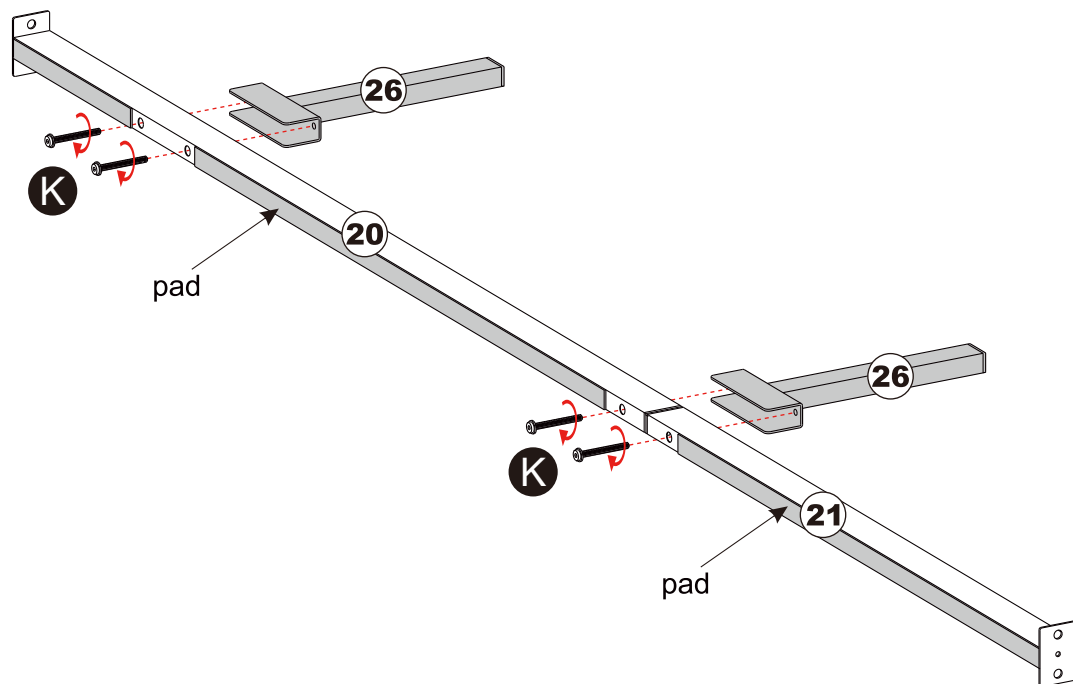
E x 4



Step 31



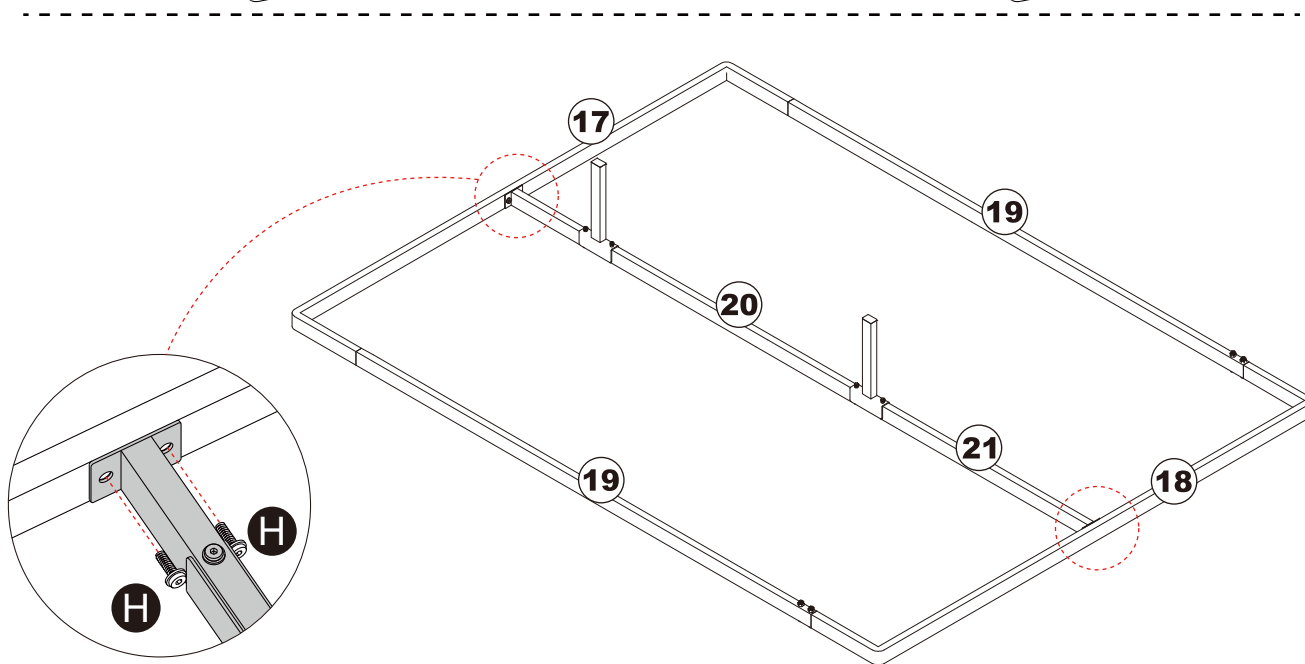
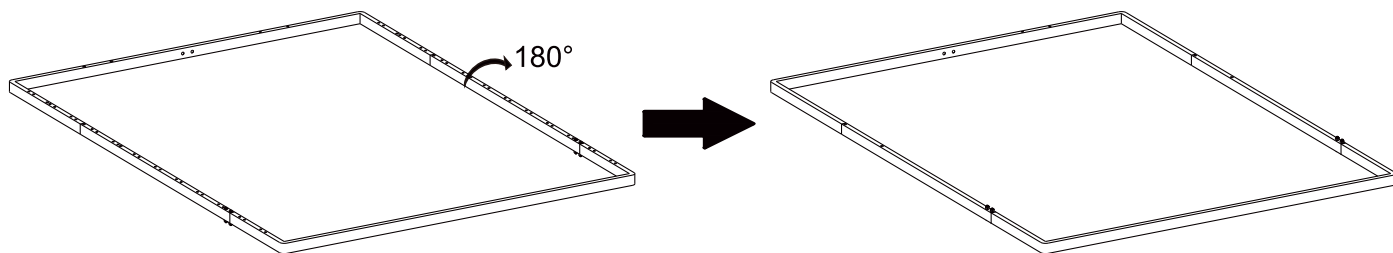
K x 4



Step 32



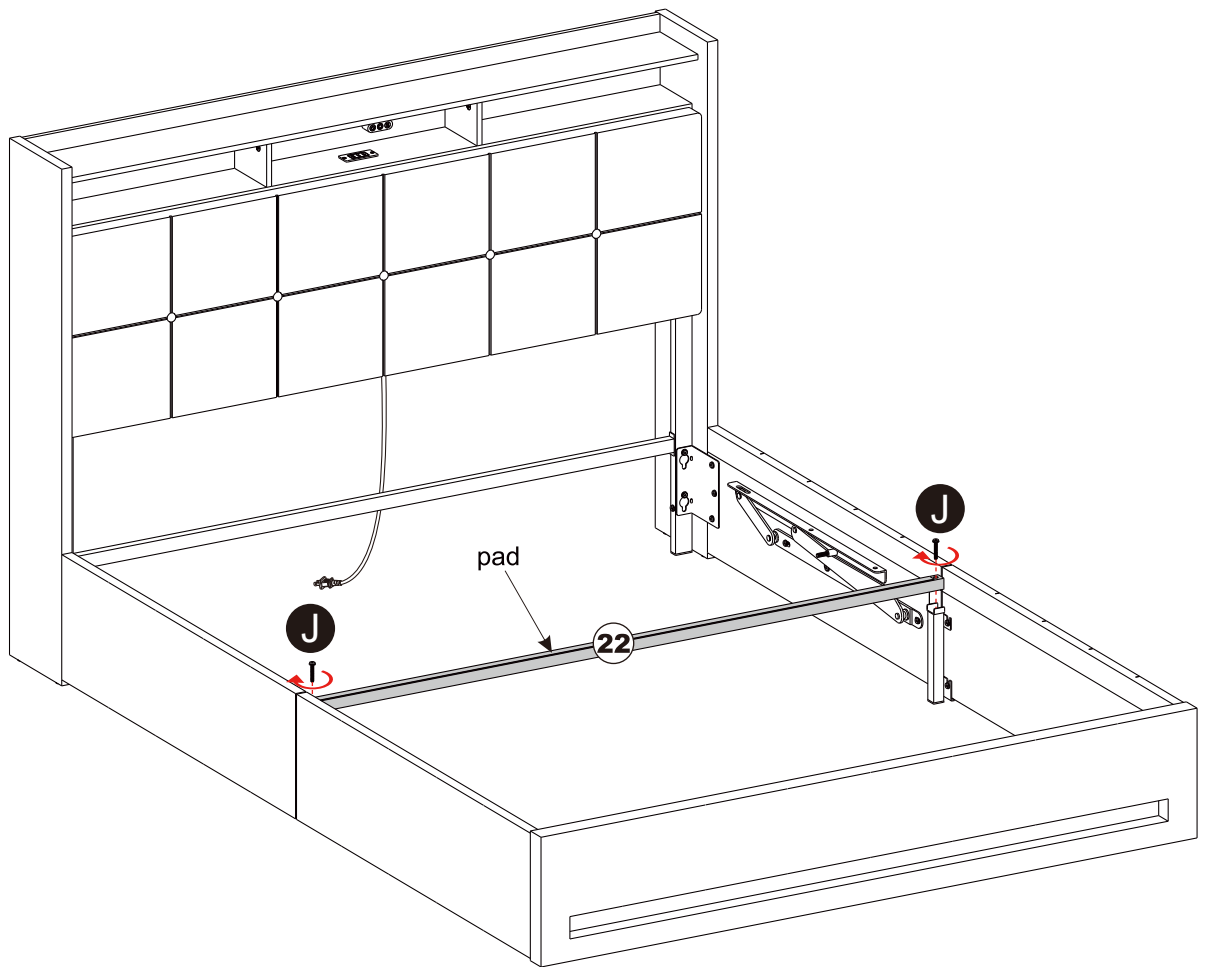
H x 4



Step 33



J x 2



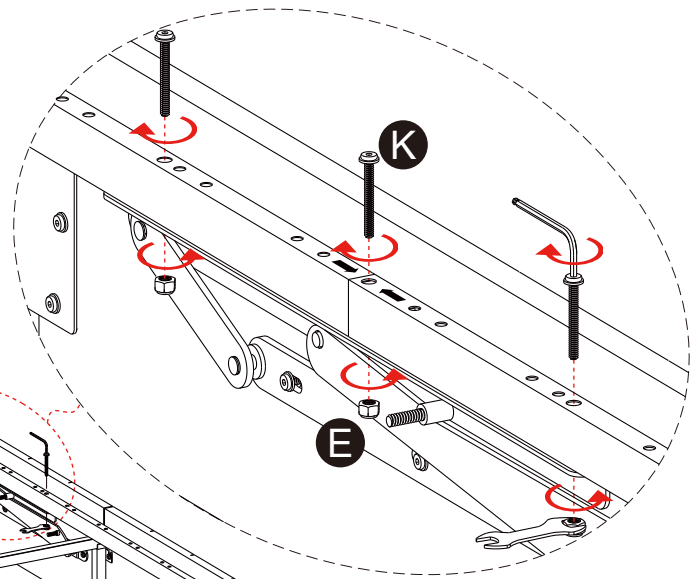
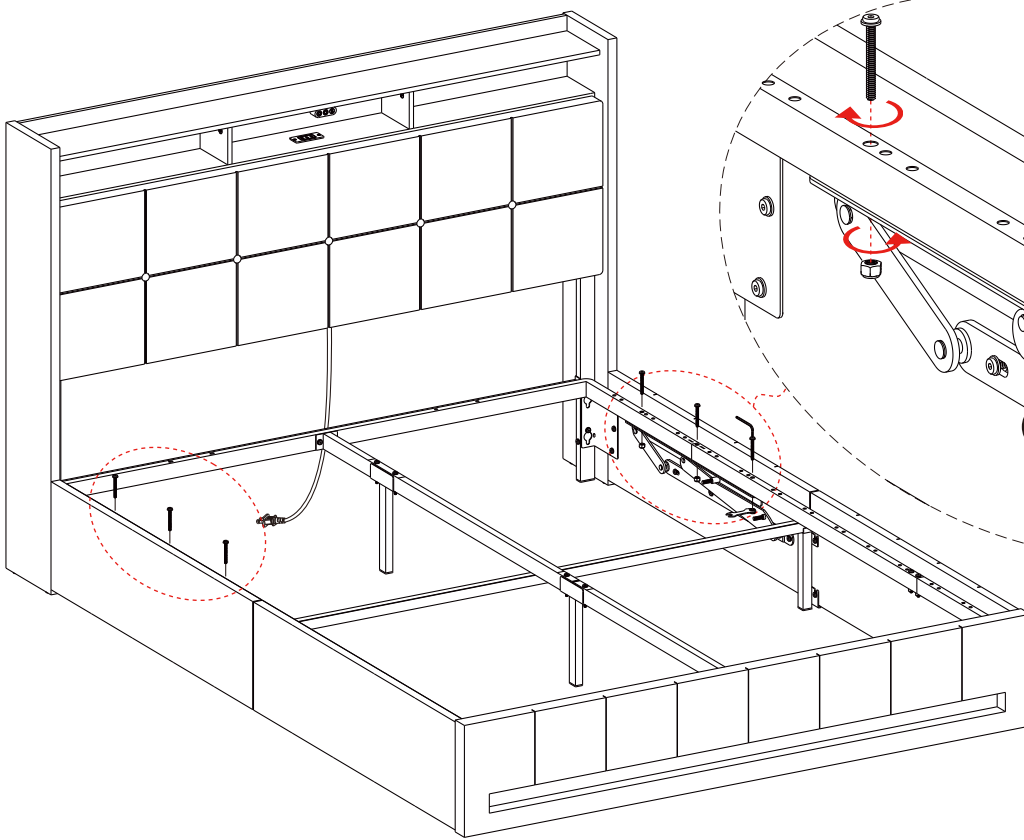
Step 34



K x 6



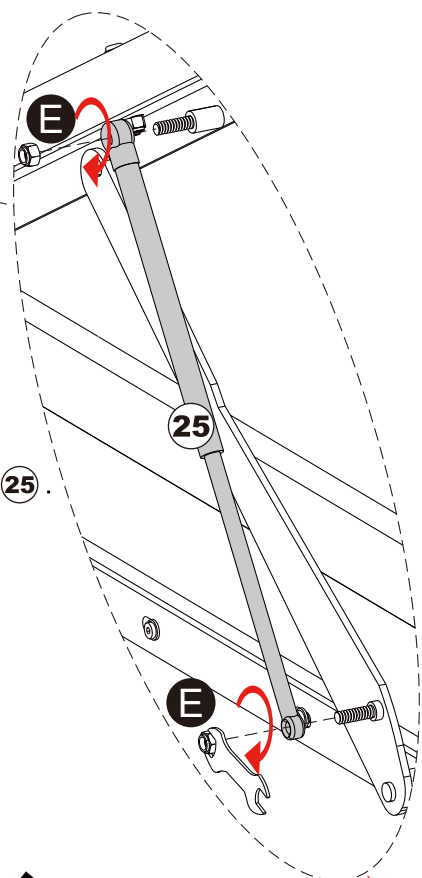
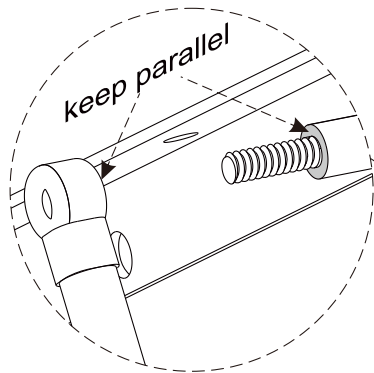
E x 6



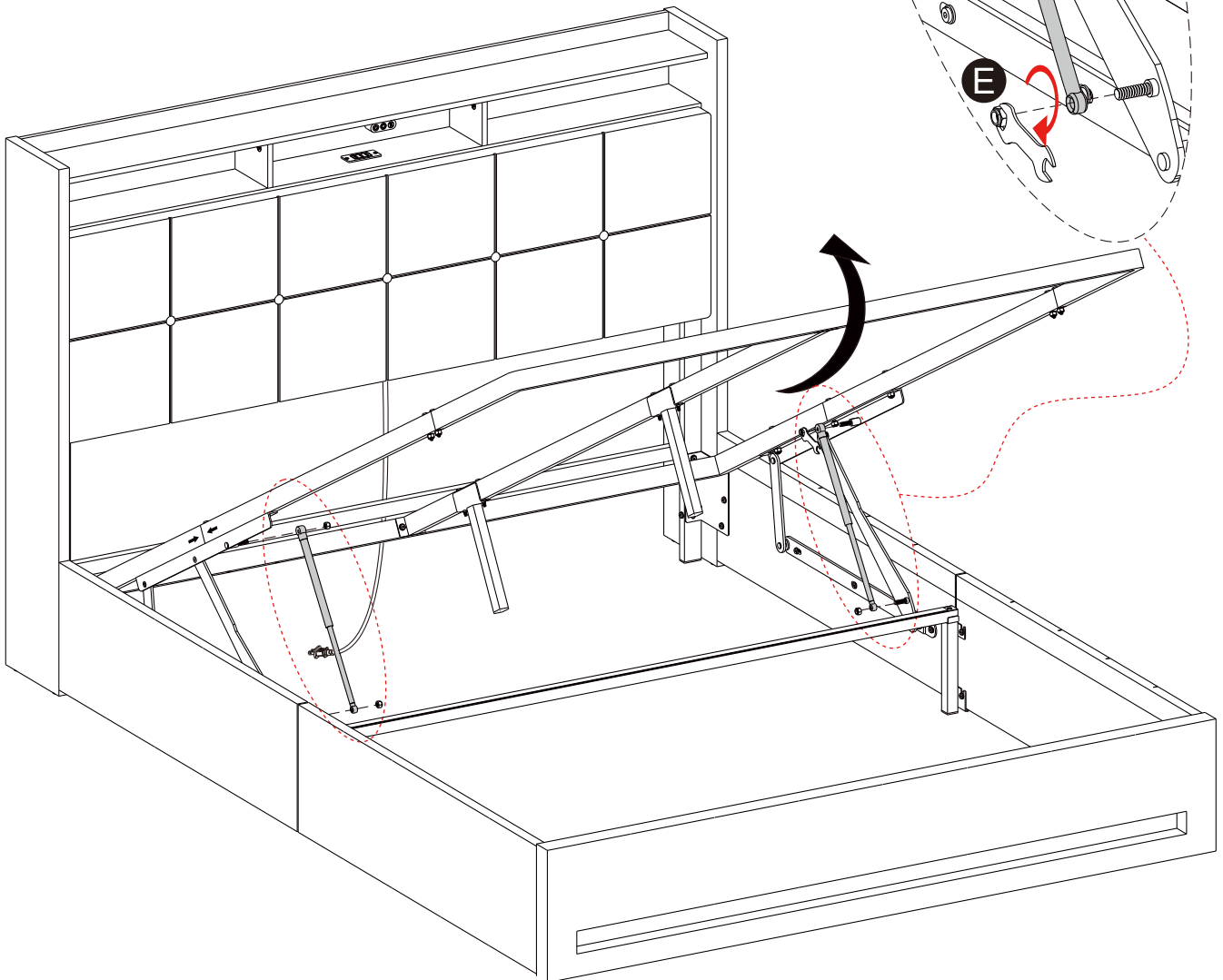
Step 35



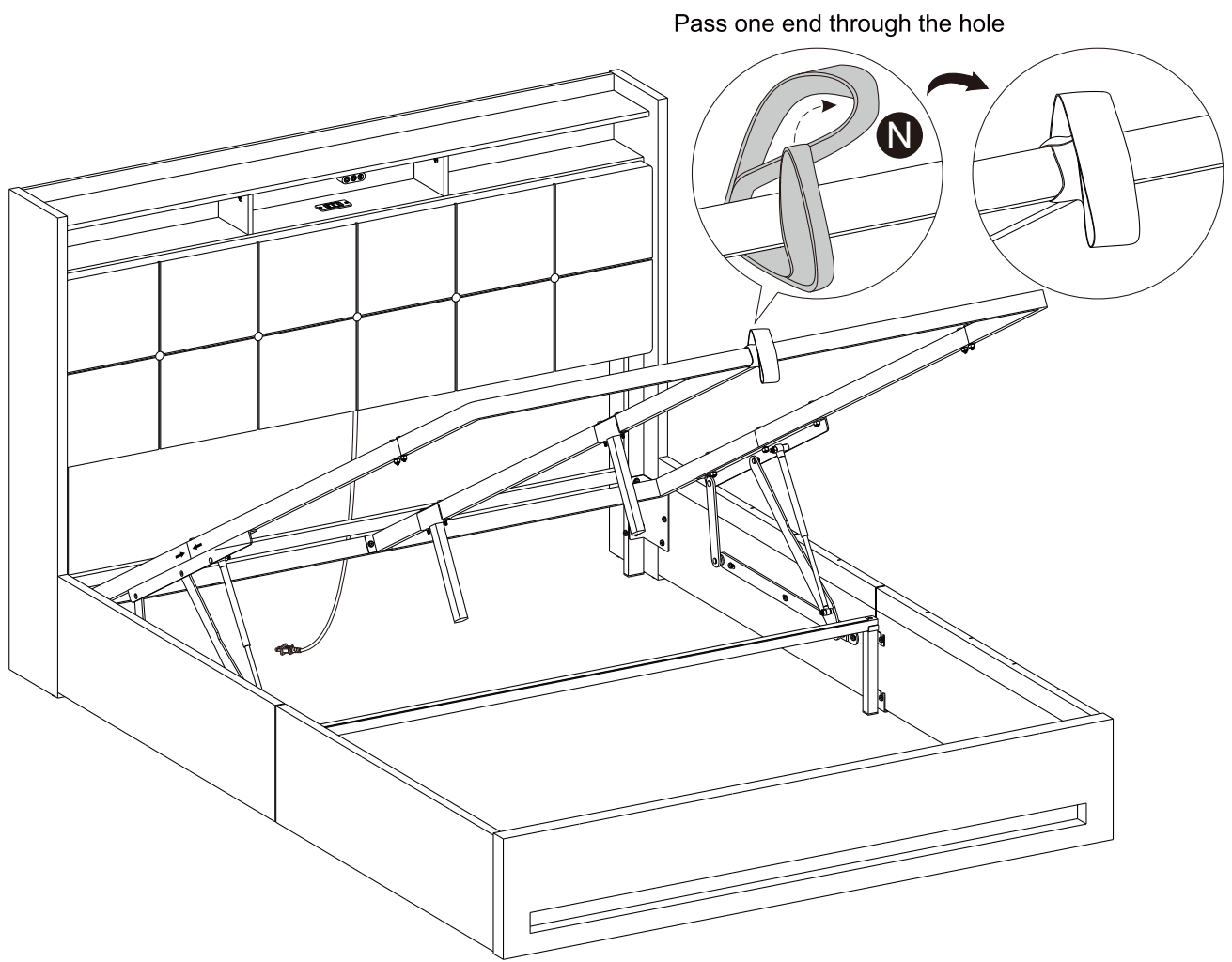
E x 4



! Please lift the slat frame with your hands while assembling part 25.

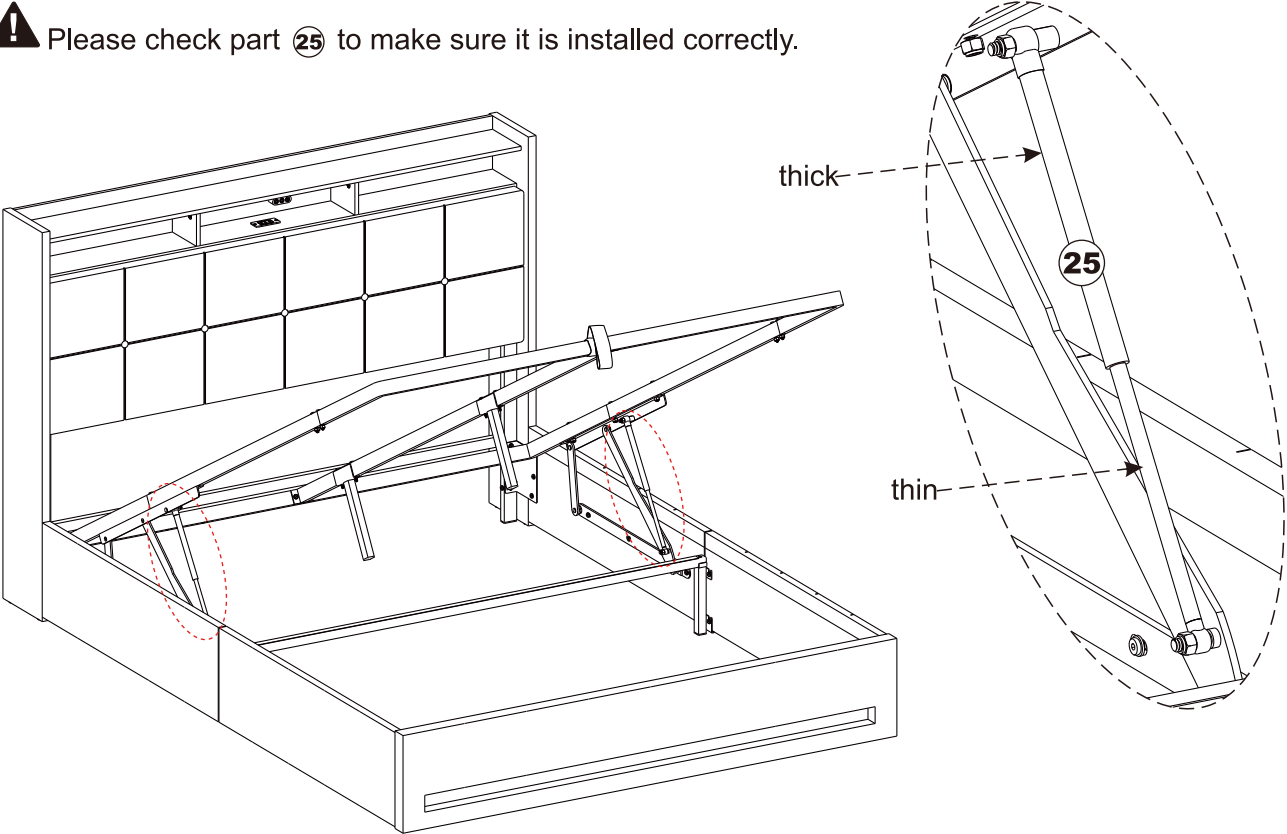


Step 36



Step 37

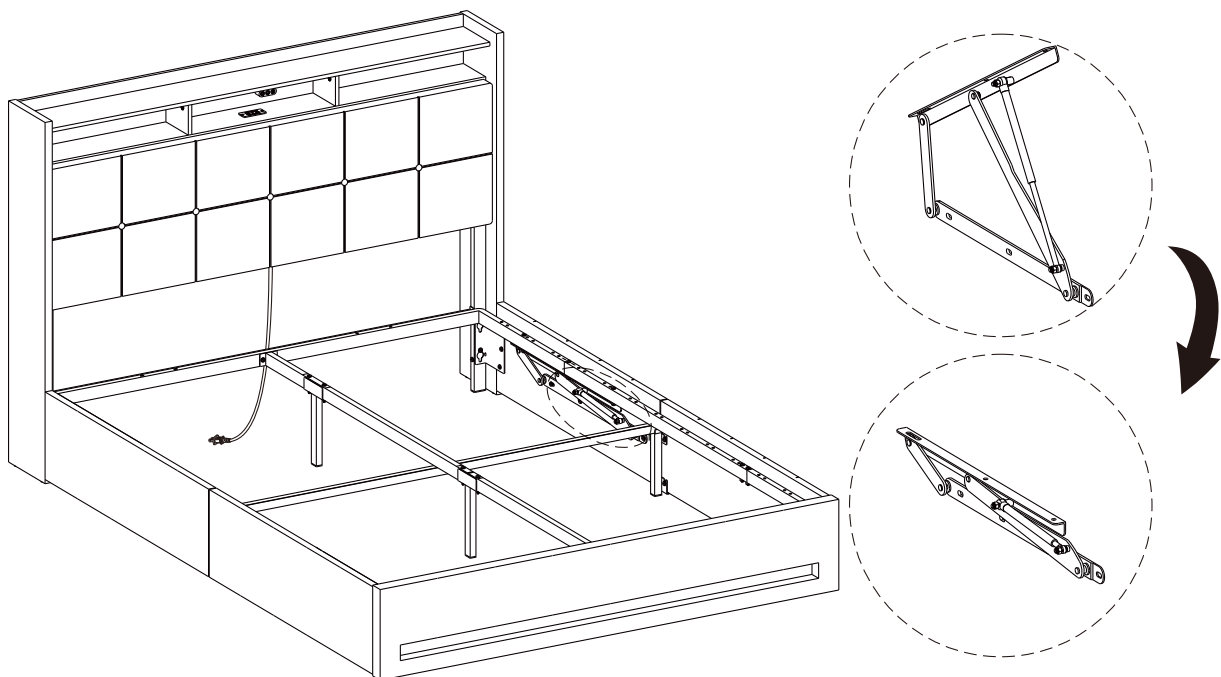
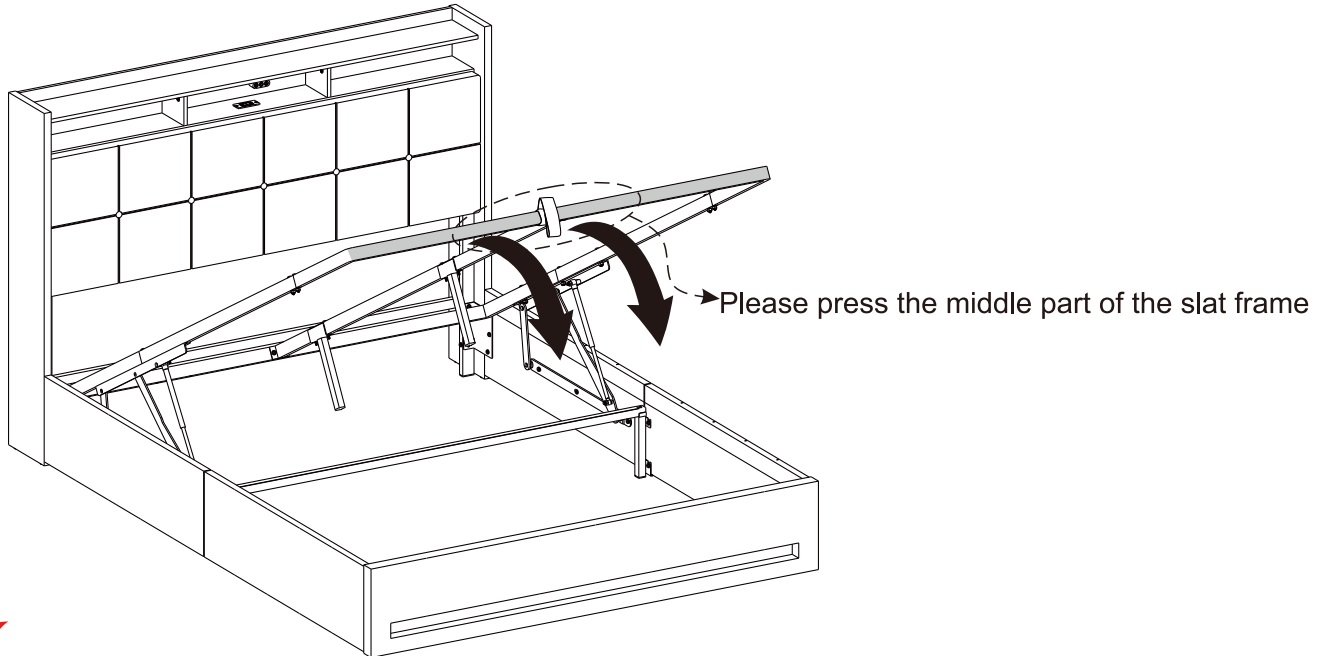
 Please check part 25 to make sure it is installed correctly.



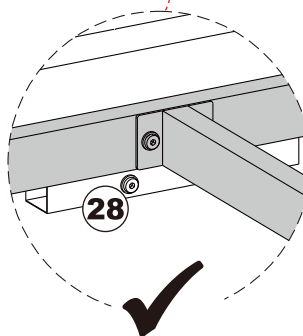
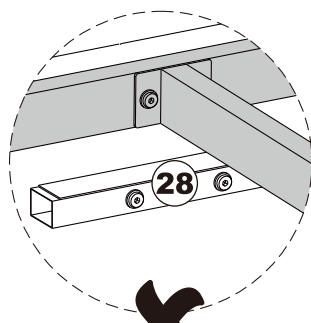
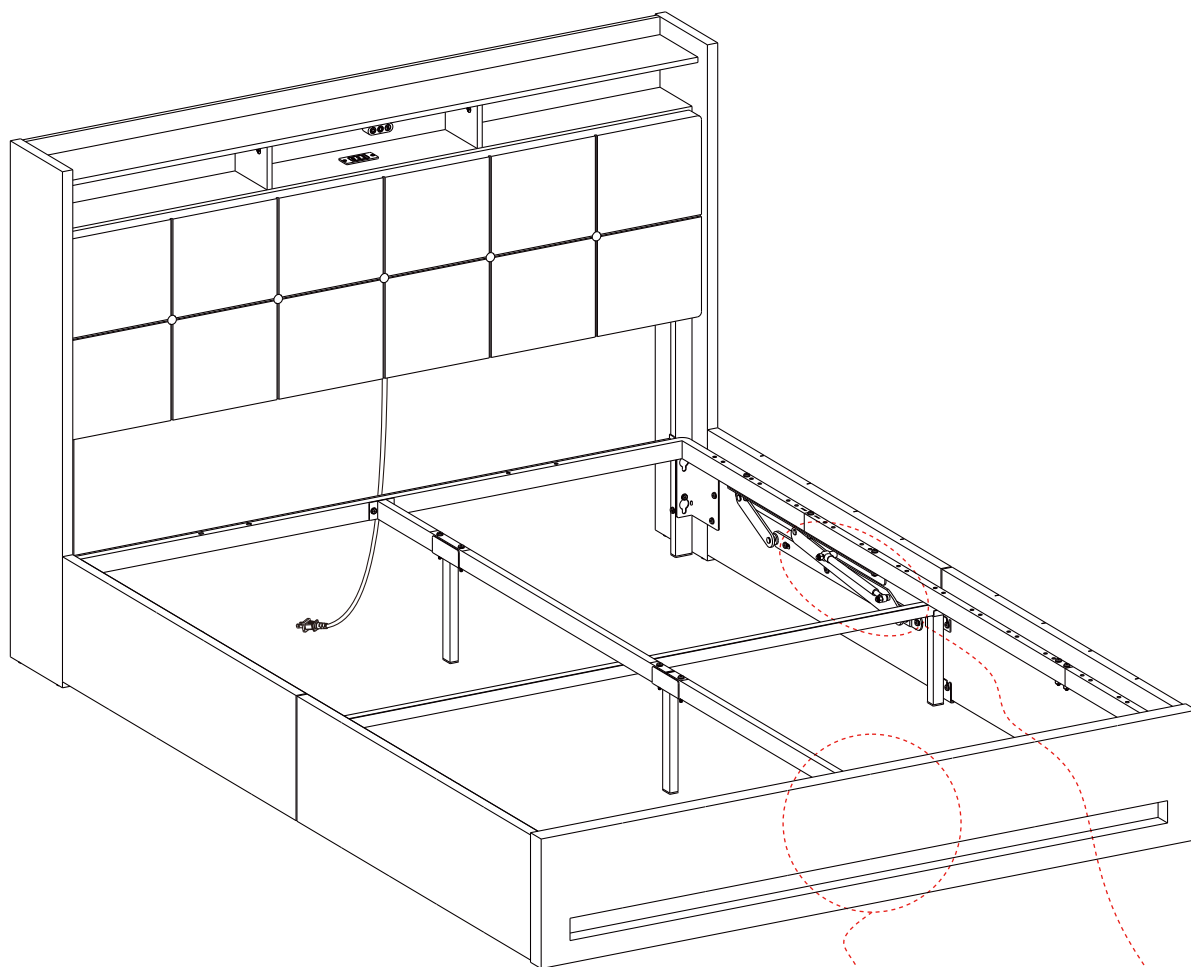
Step 38

Press the slat frame to make it fall on the supporting iron pipe.

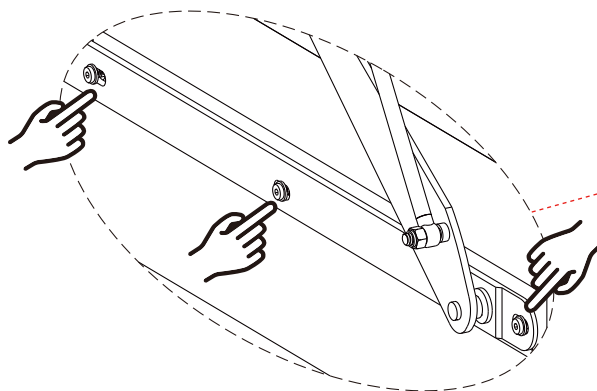
Notice: when used for the first time, directly press the slat frame with maximum force (>75KG), adult males are recommended to help complete.



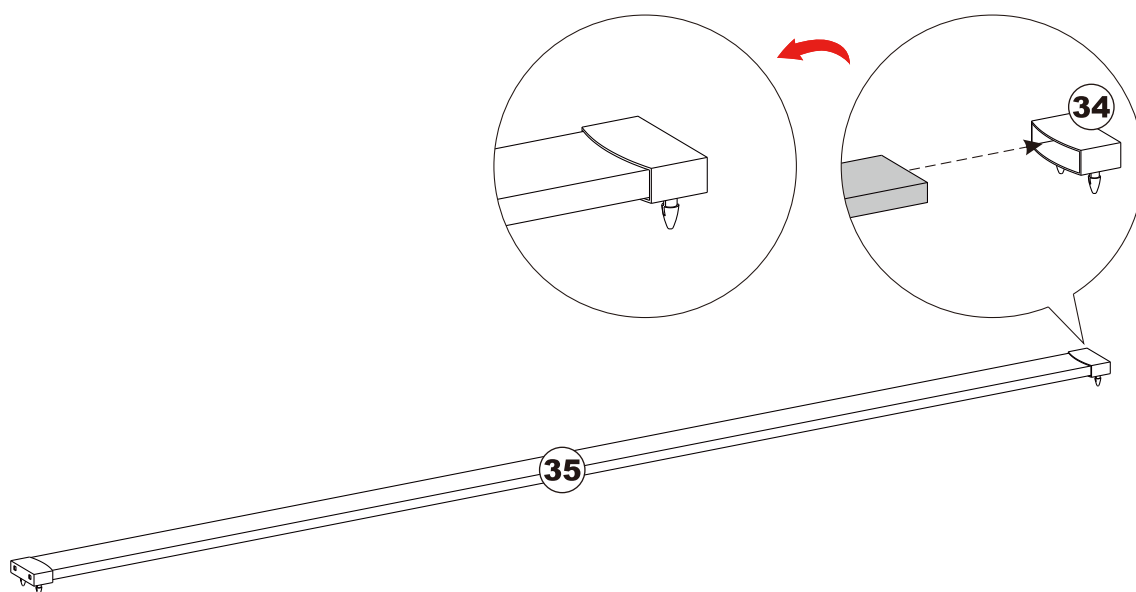
Step 39



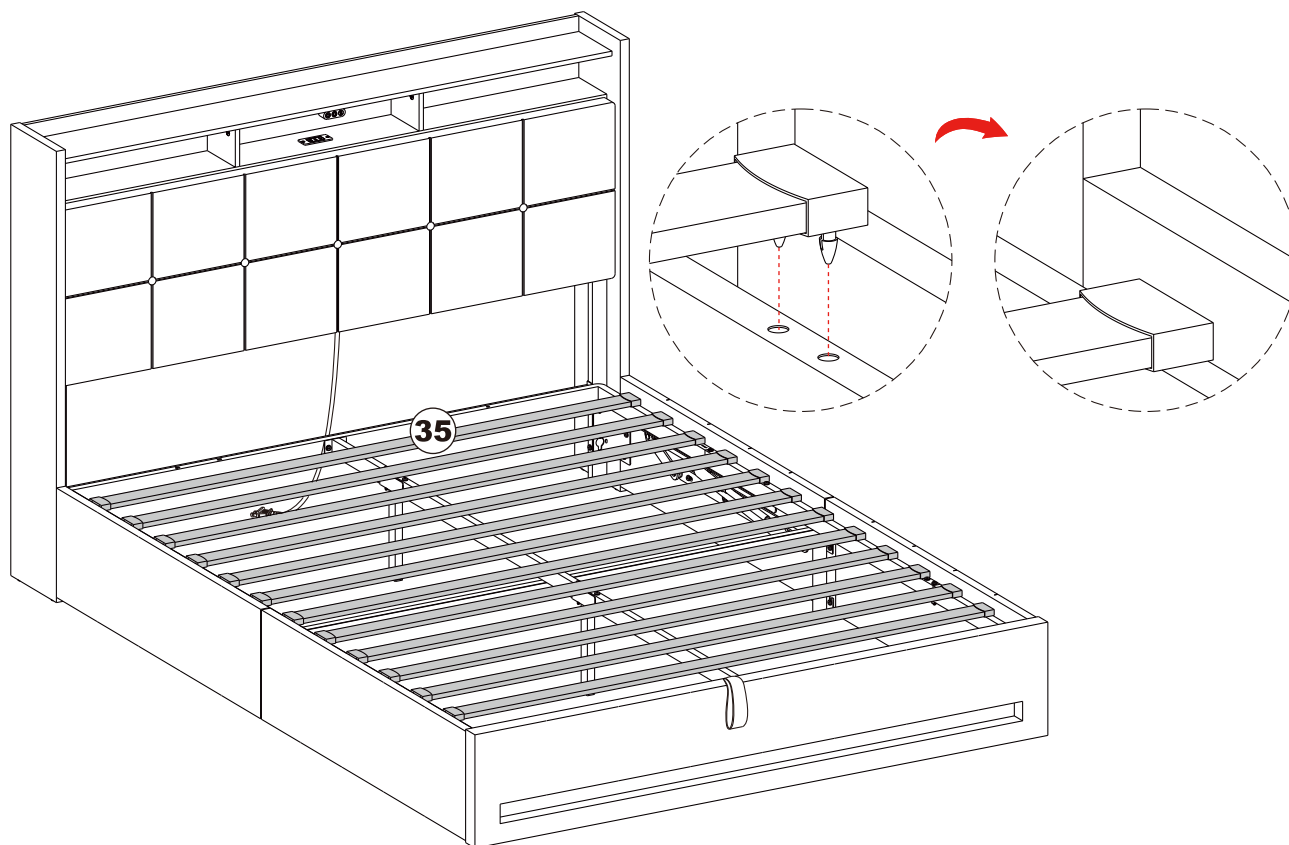
! Please make sure there is no gap between the slat frame and part 28, if there is a gap, please loosen the screws in the picture below and adjust their position.



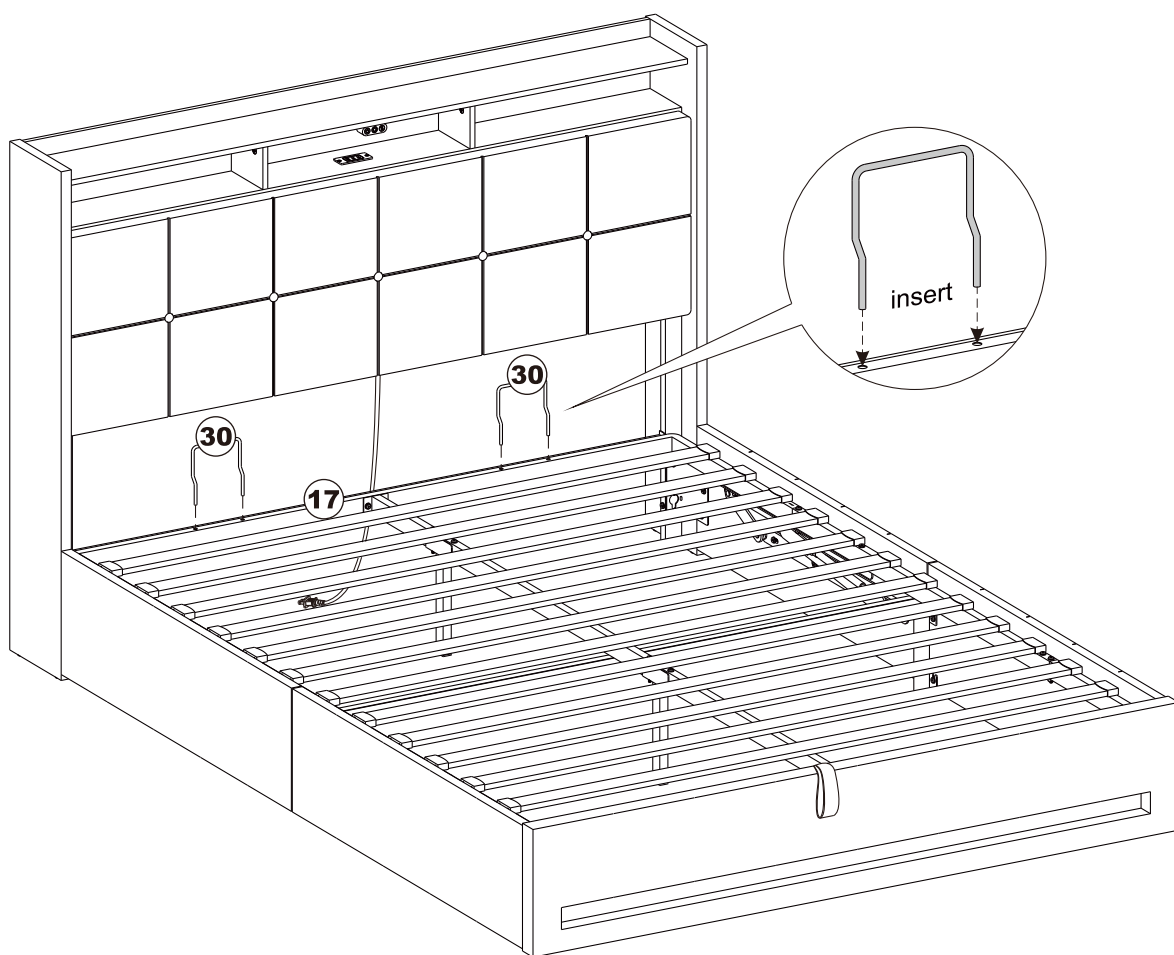
Step 40



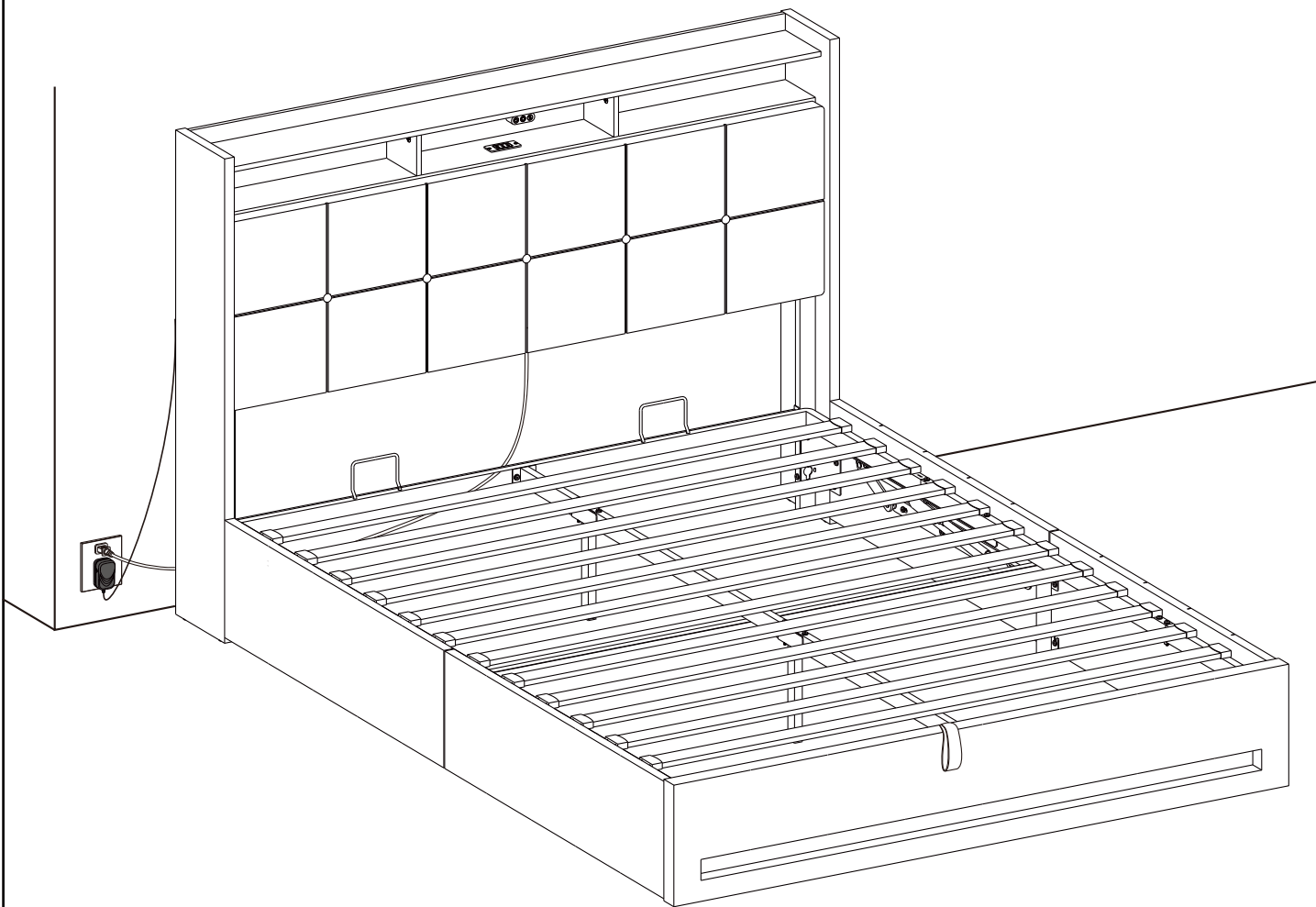
×12



Step 41

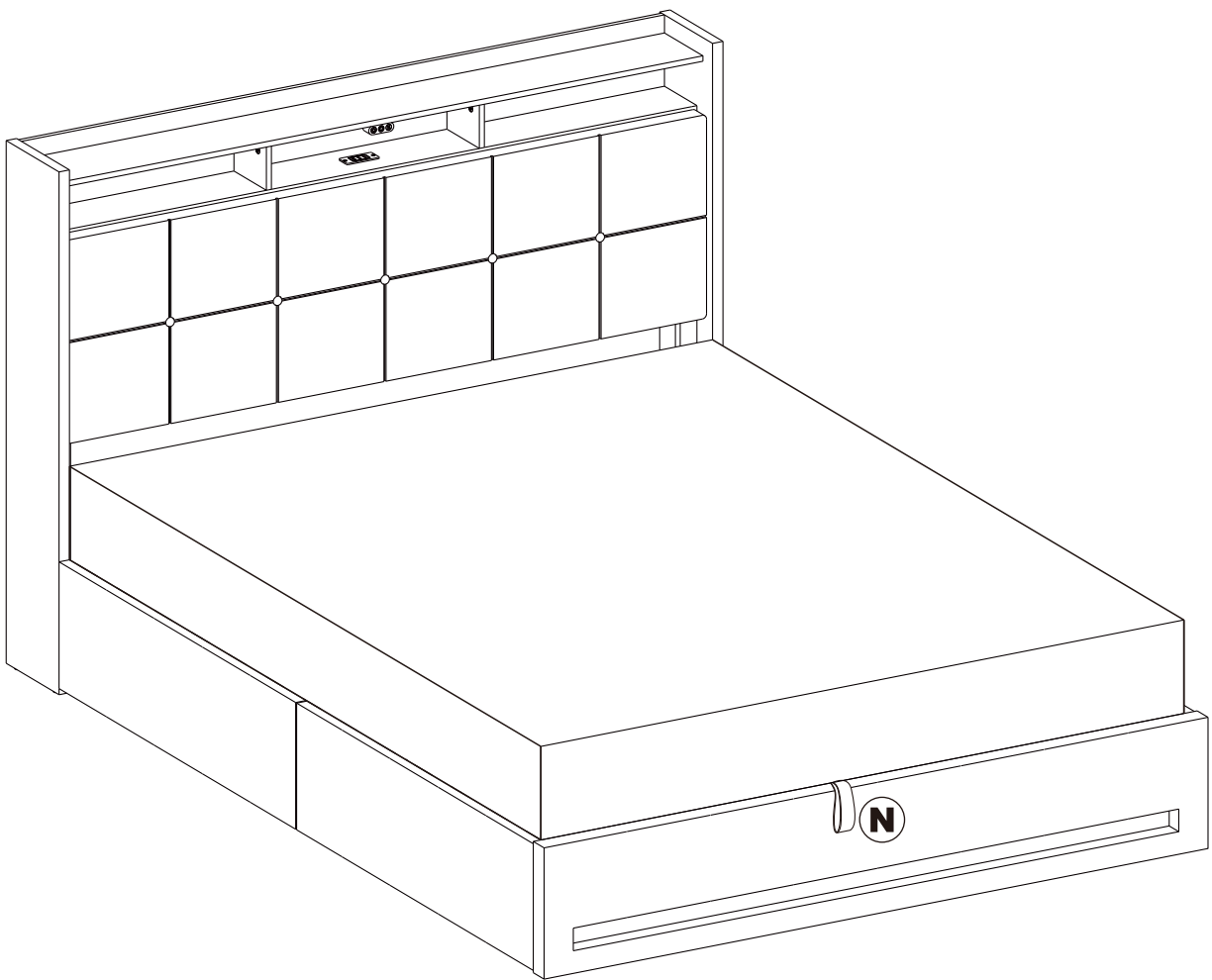


Step 42



Step 43

Place the mattress and use part “N” to pull it up to the maximum height. Then press hard on the iron pipe until the slat frame is lowered ,repeated many times, the elevator can be fully lubricated, and the subsequent lifting force will be greatly reduced.



Tips:After the mattress is placed on the slat frame, the force required will be reduced due to the full lubrication of the mattress's own gravity and hydraulic pressure.It is more effective to press or pull the wake tube. Part “N” is more advantageous to pull the wake tube. When you need to lower the slat frame, press the bed tube directly.