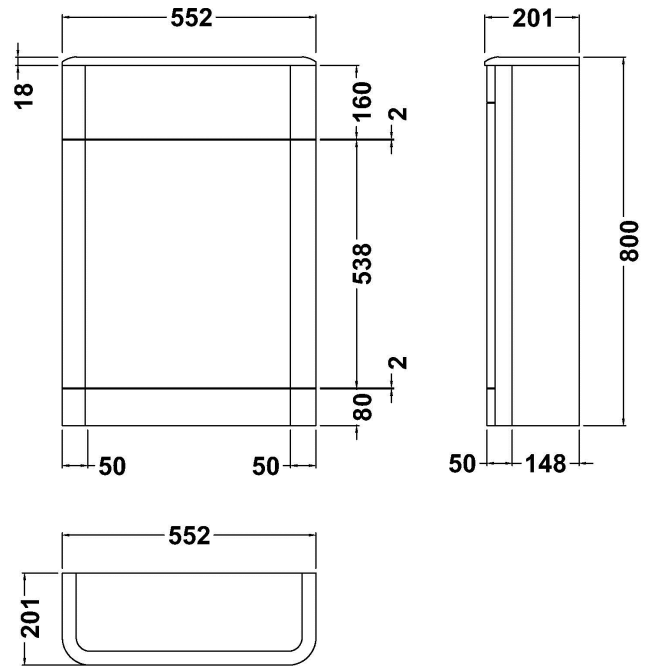


CUSTOMER DATA SHEET - FURNITURE

DESCRIPTION: 550 W.C. Unit 850 X 550 X 200



PRODUCT DIMENSIONS

Height (mm)	Width (mm)	Depth (mm)	Nett Wgt Kg
800	550	200	36.17

PACKAGING DIMENSIONS

Height (mm)	Width (mm)	Depth (mm)	Gross Wgt Kg
910	620	260	36.67

PACKAGING DATA

Box Colour	Brown Cardboard Box		
Box Qty	1	Label Colour	White Label
Label Size	150 x 100	Label Qty	2

OUTER BOX DIMENSIONS (If Applicable)

Height (mm)	Width (mm)	Depth (mm)	Gross Wgt Kg

PRODUCT DETAILS

Country of Origin	United Kingdom			
Fitting Instruction	Yes			
Constr' Method	Cam & Wood Dowel			
Cabinet Finish	Mdf Vinyl Smooth Matt			
Cab Thickness (mm)	18			
Drawer Included	Not Applicable			
No of Shelves	0			
Hinge Inc'	Not Applicable			
Fixings Inc'	No			
Handle Inc'	Not Applicable			
Handle Type	Not Applicable			
Certification	FSC	Yes	CE	
Colour	Indigo Blue			
Constr' Type	Rigid			
Fascia Finish	Mdf Vinyl Smooth Matt			
Fas Thickness (mm)	18			
Drawer Type	Not Applicable			
Hinge Type	Not Applicable			
Adjustable Legs	No, Not Required			
Handle Style	Not Applicable			
Waste Shroud	Not Applicable			