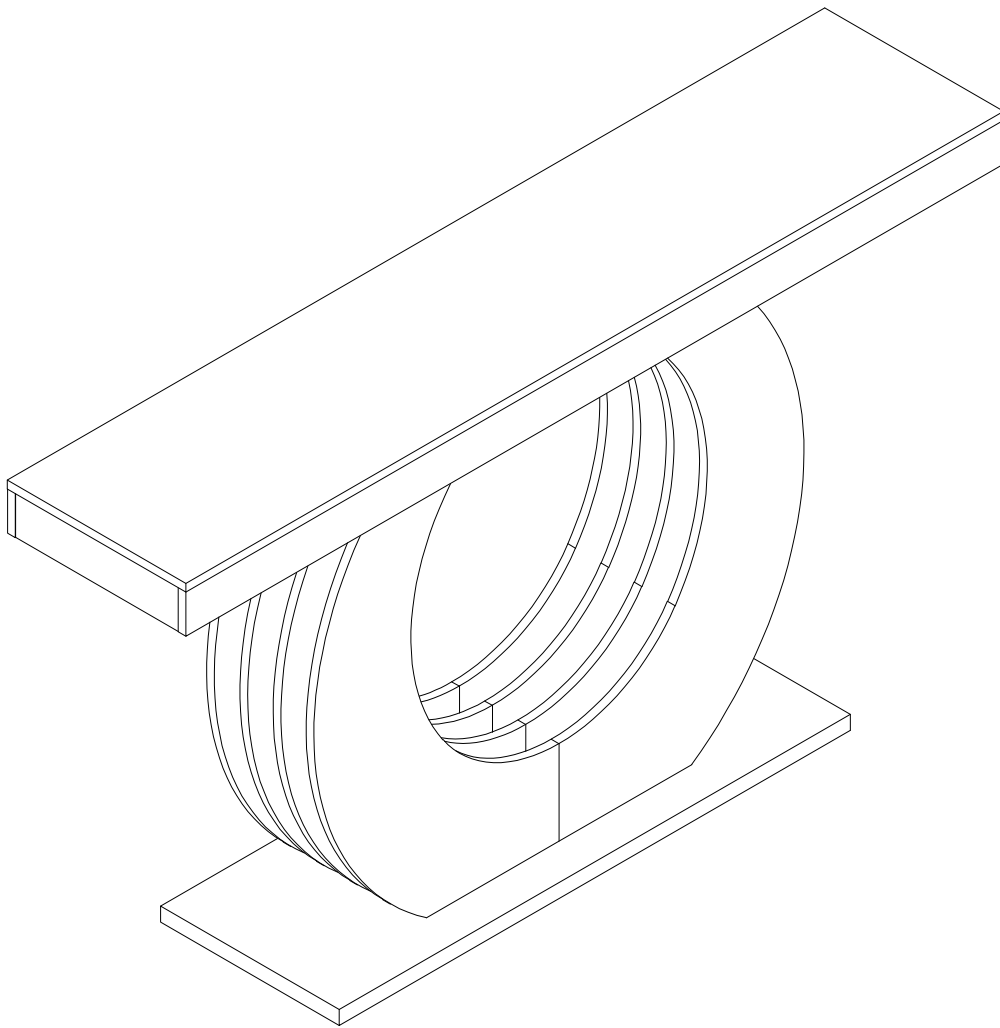


Assembly Instructions



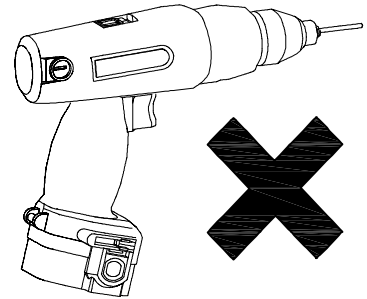
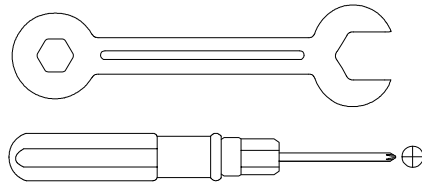
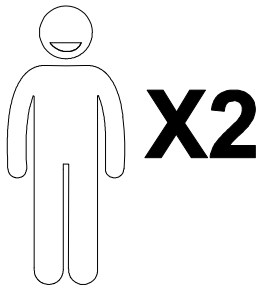
Contact Us

We're here to help you.

Your satisfaction is our top priority. If you encounter any issues with this product, such as missing or damaged parts, we're here to help. Please retain the original packaging and take photos of the packaging and the product, then contact us as soon as possible.

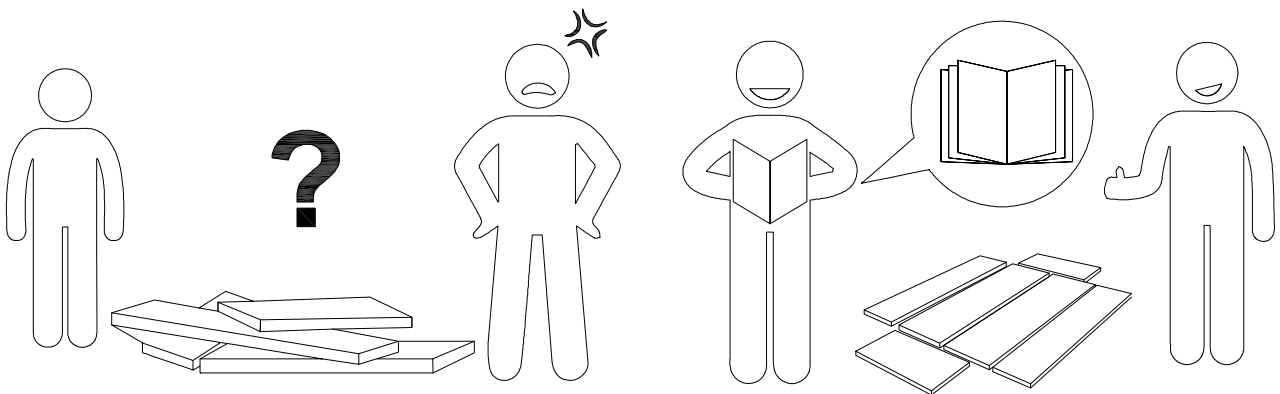
Warm Tips

1. Carefully read these instructions and keep them for future reference.
2. Check the parts list and confirm everything's there before starting assembly.
3. When assembling, put all parts on a soft, smooth surface like a carpet to avoid scratches.
4. Don't fully tighten screws until all parts are confirmed in place to avoid misalignment.



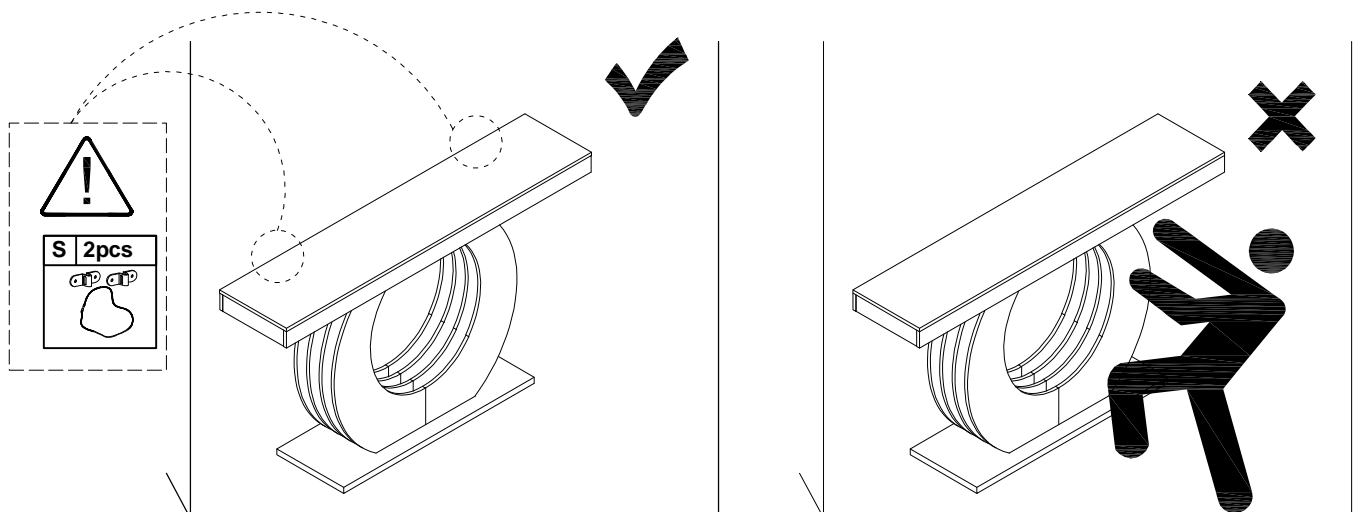
We recommend using hand tools for assembly.

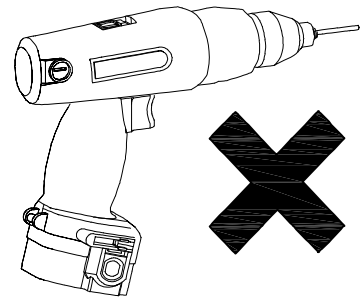
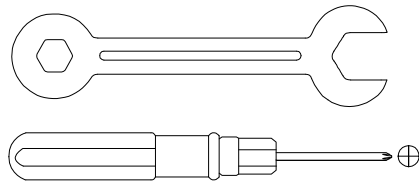
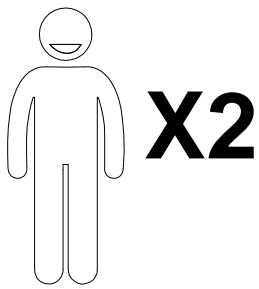
If an electric screwdriver is used, reduce power and torque to avoid damage to the product.



Install the Anti-Tip Straps

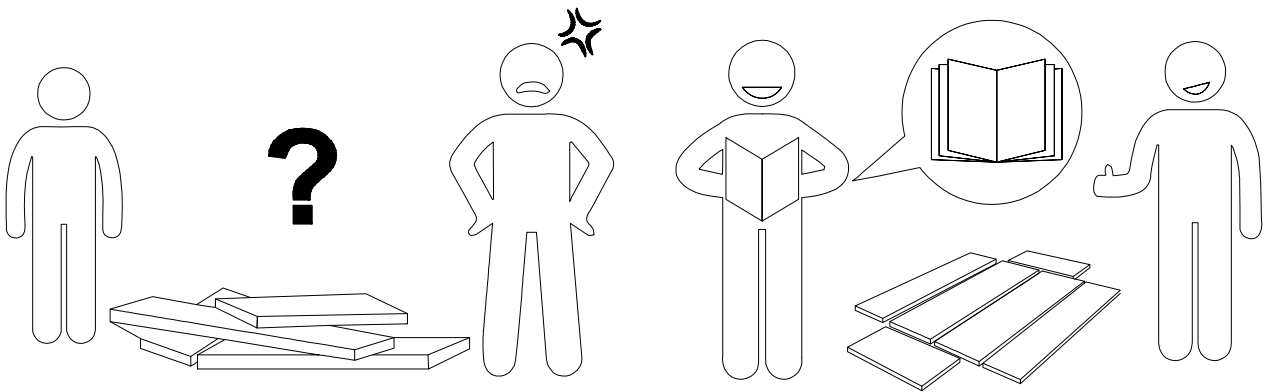
Using the anti-tip straps can reduce the risk of tipping over, but can not eliminate it.





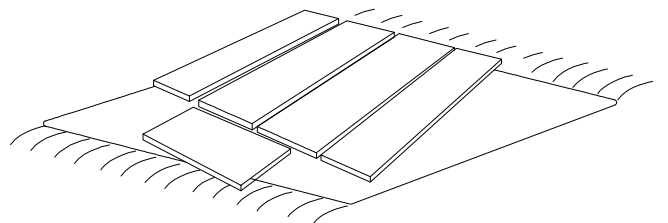
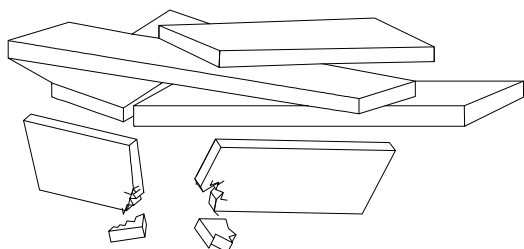
We recommend using hand tools for assembly.

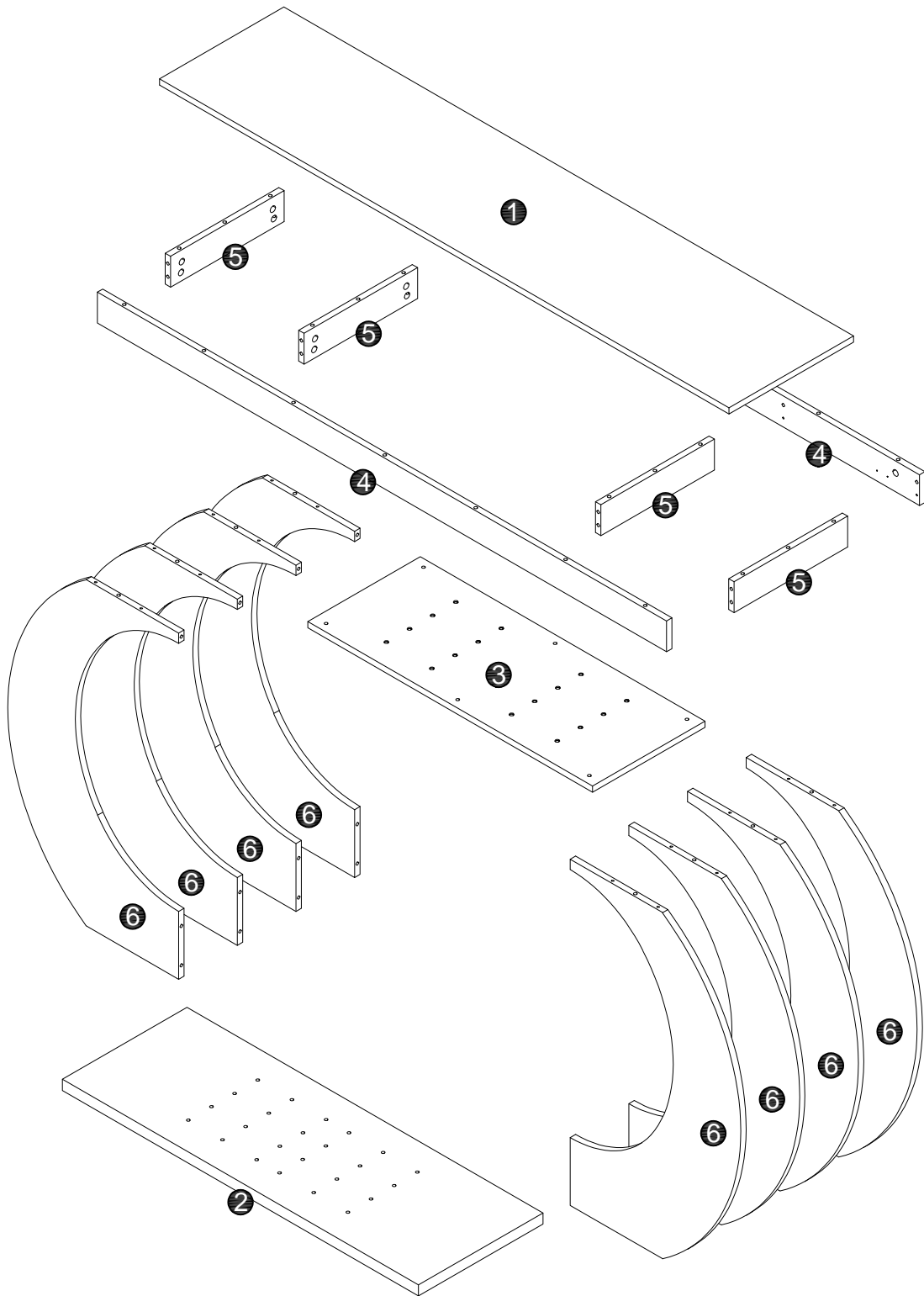
If an electric screwdriver is used, reduce power and torque to avoid damage to the product.



AVOID SCRATCHES

In order to avoid scratching, this furniture should be assembled on a soft surface, such as a rug.

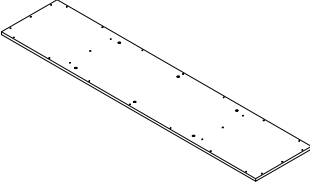
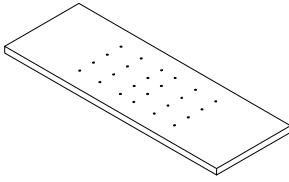
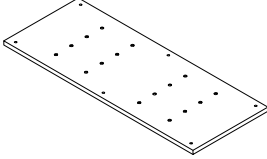
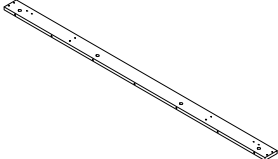
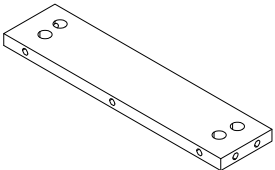
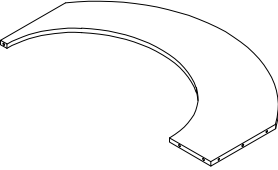





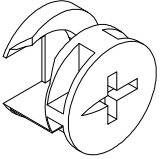

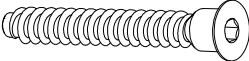
⚠ Caution

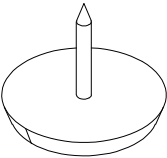
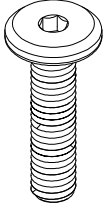

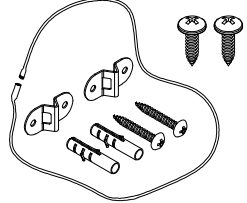
Make sure all parts are included. Most board parts are labeled or stamped on the raw edge. Contact us for a free replacement if you encounter any damaged or missing parts.

Parts List

<p>①</p>  <p>1PC</p>	<p>②</p>  <p>1PC</p>	<p>③</p>  <p>1PC</p>	<p>④</p>  <p>2PCS</p>
<p>⑤</p>  <p>4PCS</p>	<p>⑥</p>  <p>8PCS</p>		

Hardware List

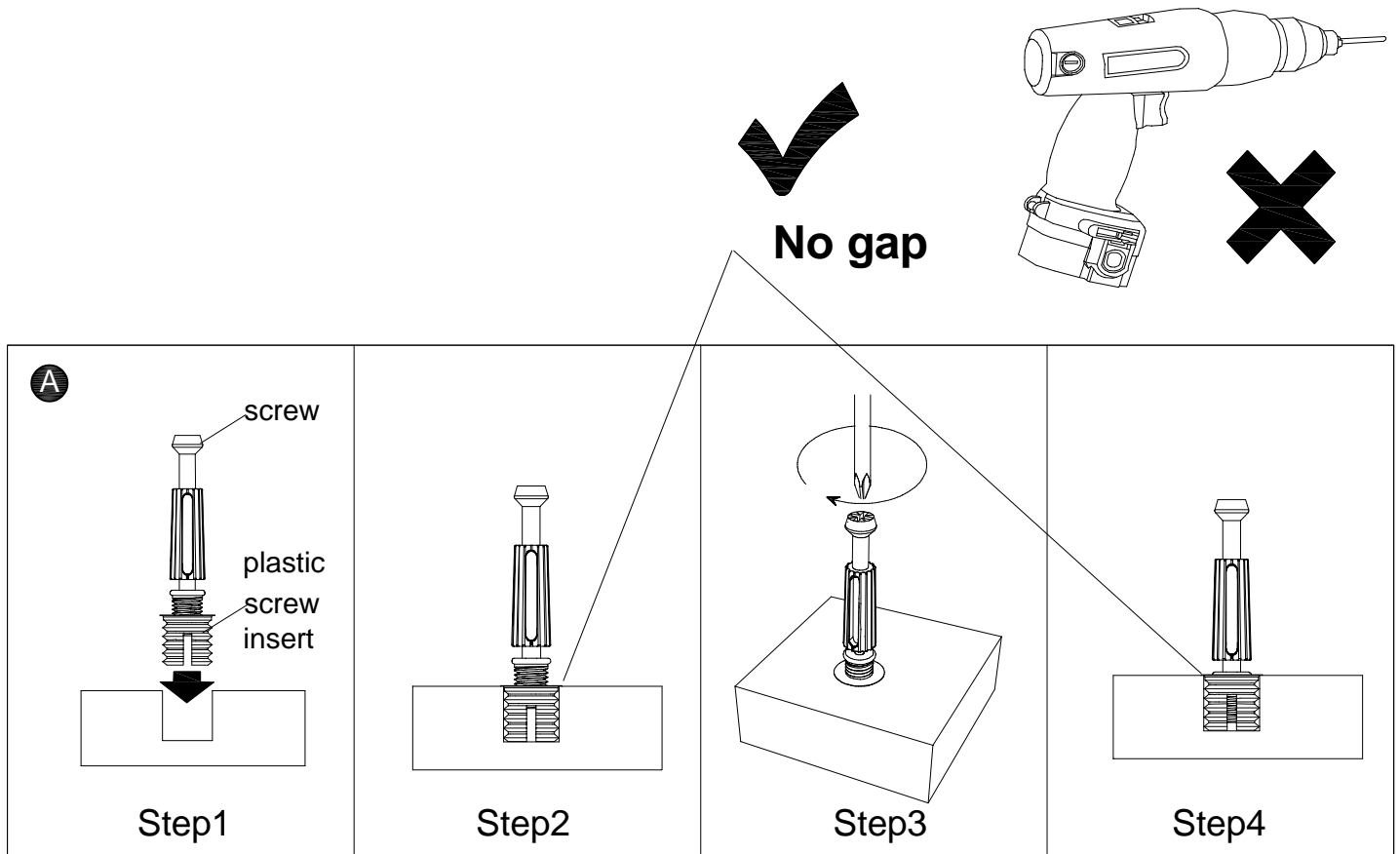
<p>Ⓐ</p>  <p>Ø6x35mm</p> <p>24+2PCS</p>	<p>Ⓑ</p>  <p>Ø15x9mm</p> <p>24+2PCS</p>	<p>Ⓒ</p>  <p>Ø8x30mm</p> <p>46+2PCS</p>	<p>Ⓓ</p>  <p>Ø7x38mm</p> <p>32+2PCS</p>
--	--	---	--

<p>Ⓔ</p>  <p>Ø22mm</p> <p>6PCS</p>	<p>Ⓕ</p>  <p>M6x25mm</p> <p>6PCS</p>	<p>Ⓖ</p>  <p>M4</p> <p>1PC</p>	<p>Ⓗ</p>  <p>Ø4x30mm</p> <p>2PCS</p>
---	---	--	---

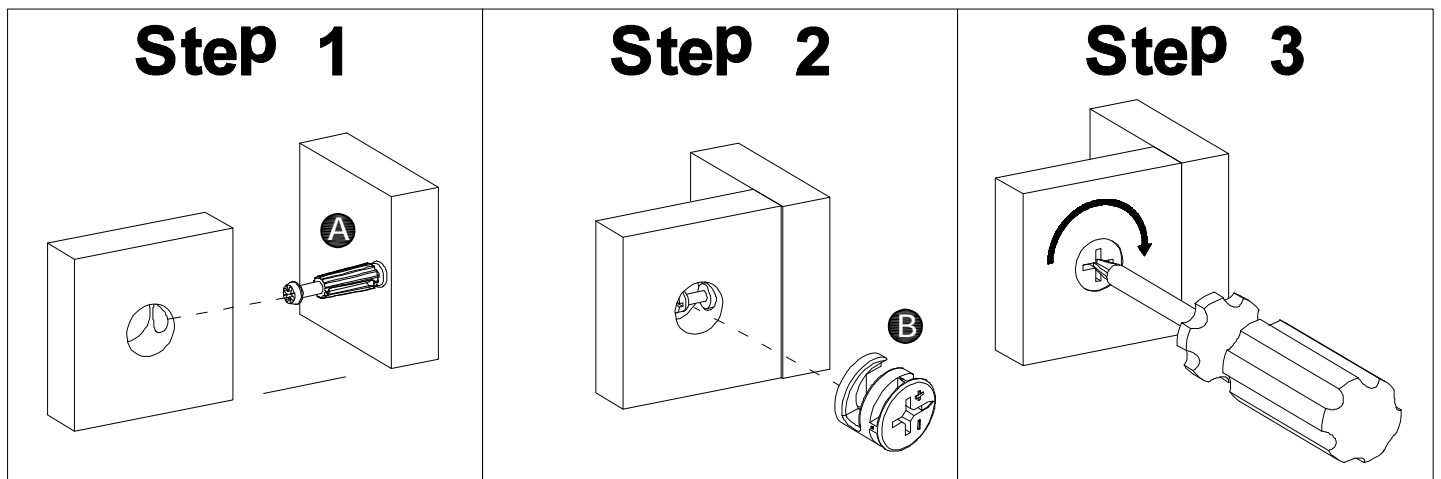
Installation of Cams and Pins

Step 1-2: Align the plastic part with the mounting hole and press it in. If you can't press it in, loosen the screw counter clockwise or completely remove the screw from the plastic part and try again.

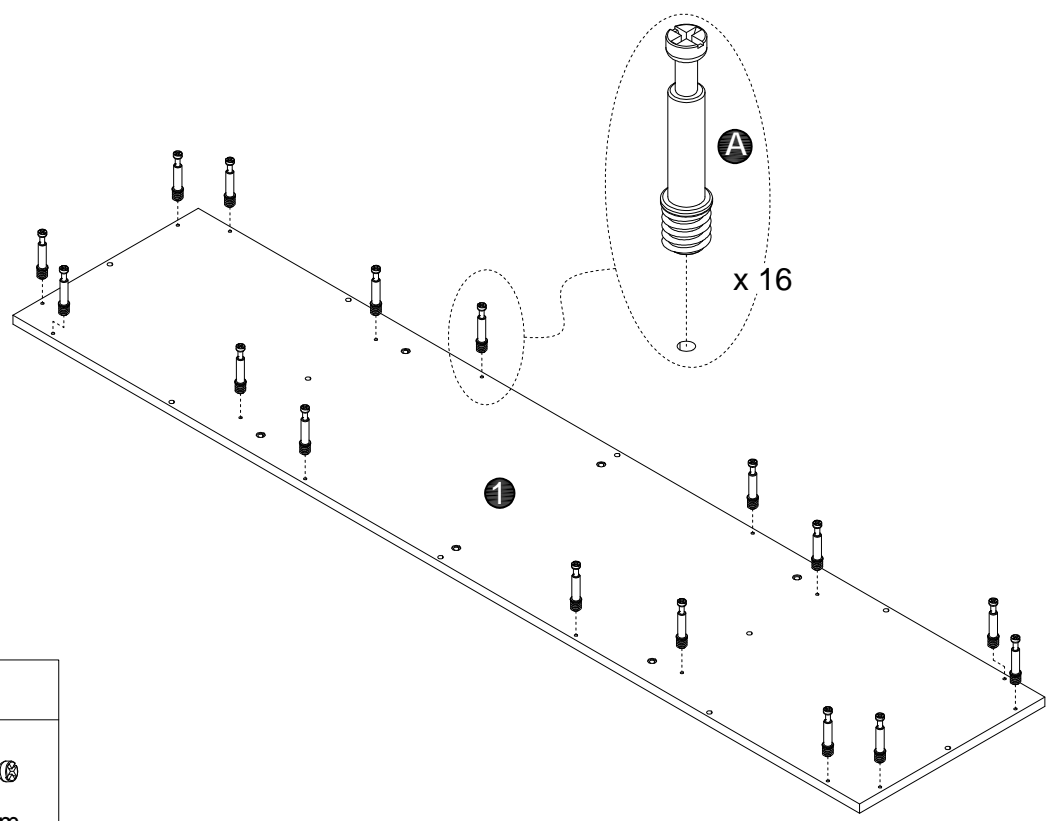
Step 3-4: After pressing the plastic part into place, use a screwdriver to tighten the screw clockwise.

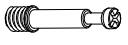


Screw the pin into the hole. Set the cams correctly by aligning the head of the cams with the lock pins. Lock the cam by turning the cam head with a screwdriver until it is tightened. Please do not use an electric screwdriver to assemble the unit.

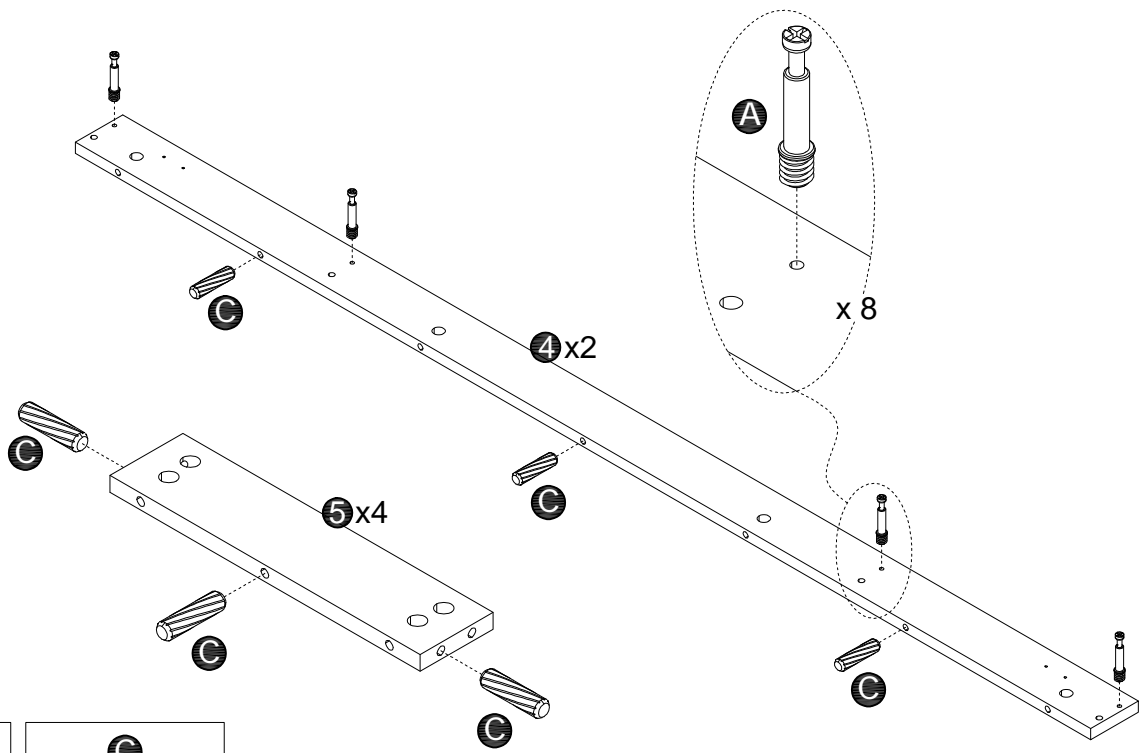


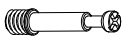

1



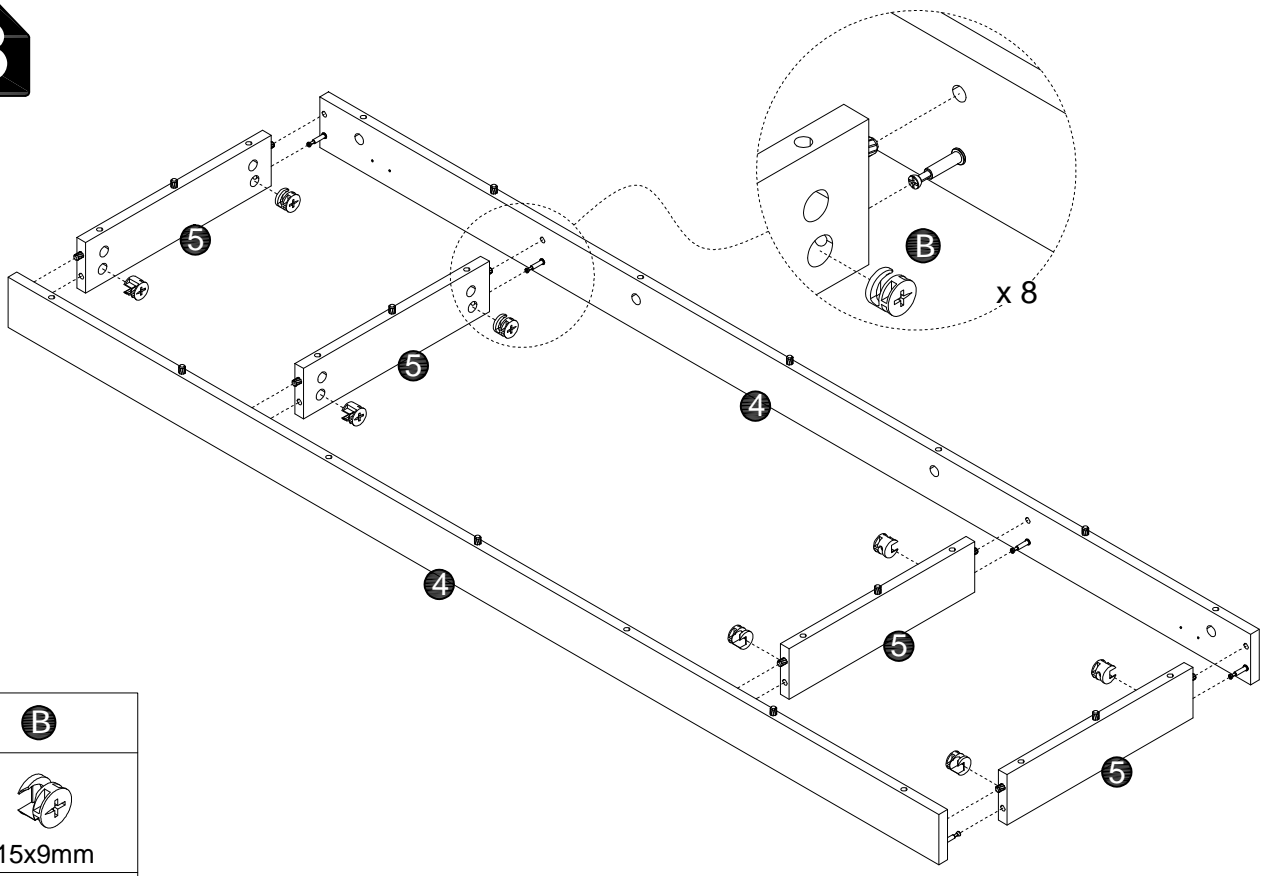
A

$\text{\O}6 \times 35 \text{mm}$
16PCS


2



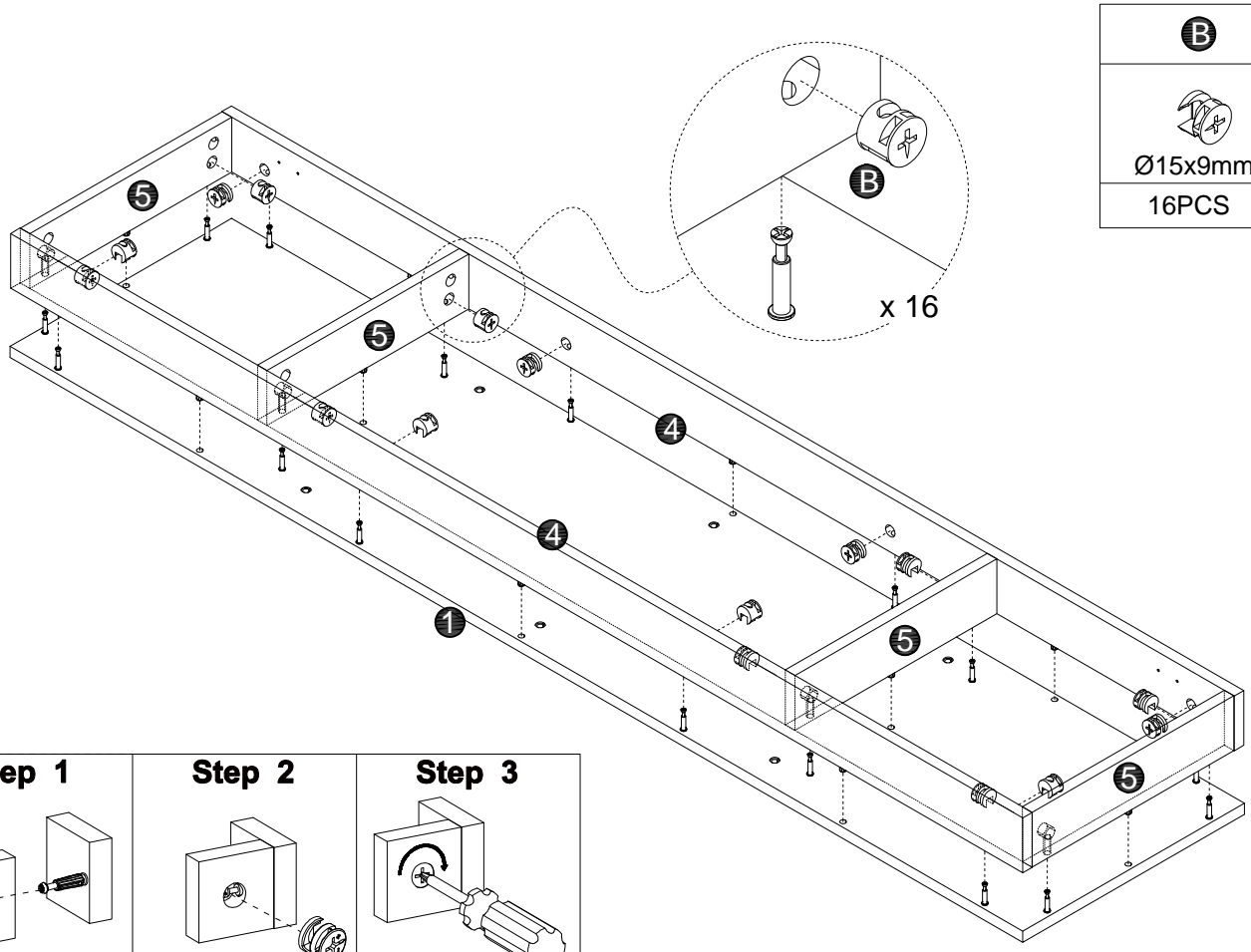
A	C
	
$\text{\O}6 \times 35 \text{mm}$	$\text{\O}8 \times 30 \text{mm}$
8PCS	18PCS


3

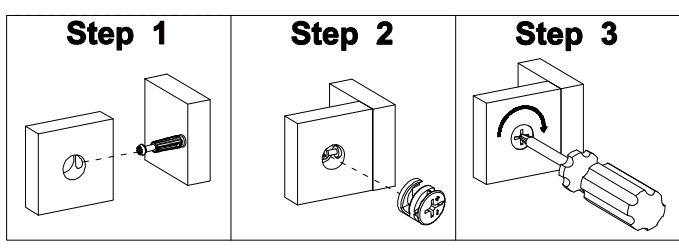


B

Ø15x9mm
8PCS

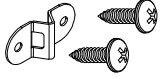
4

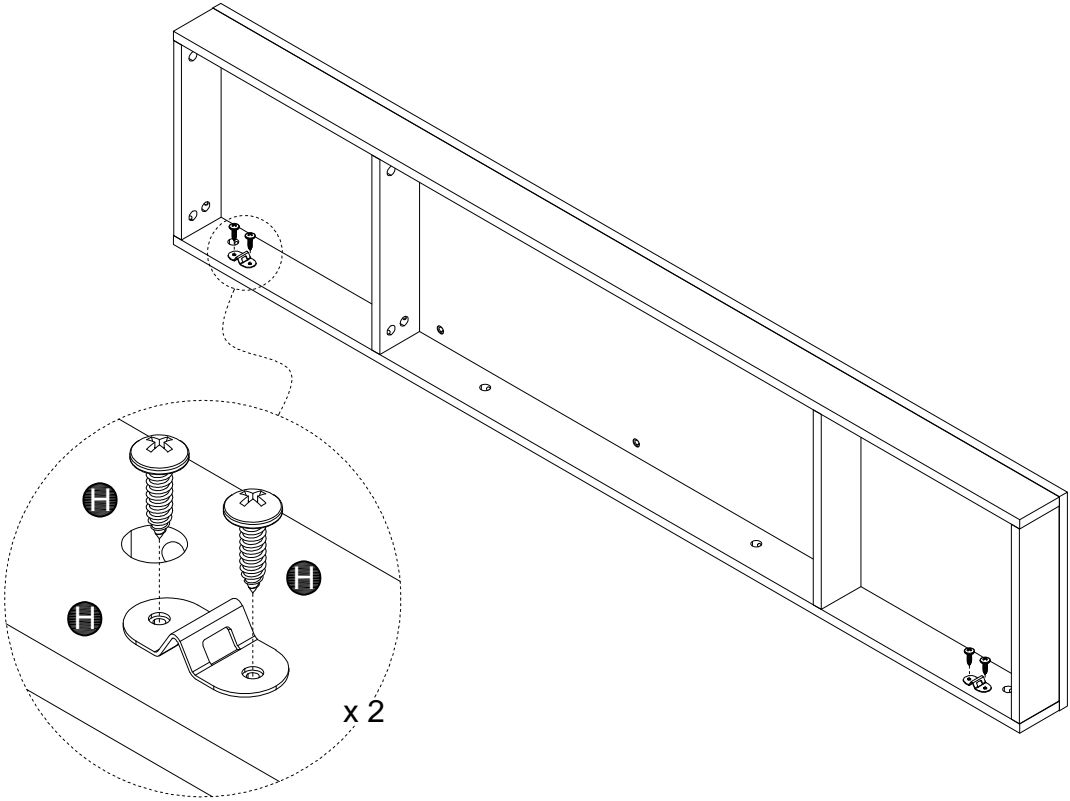


B

Ø15x9mm
16PCS

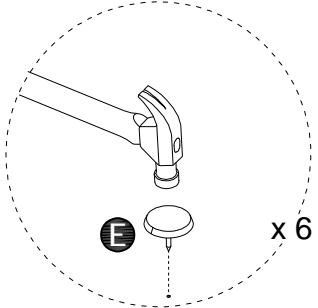


5

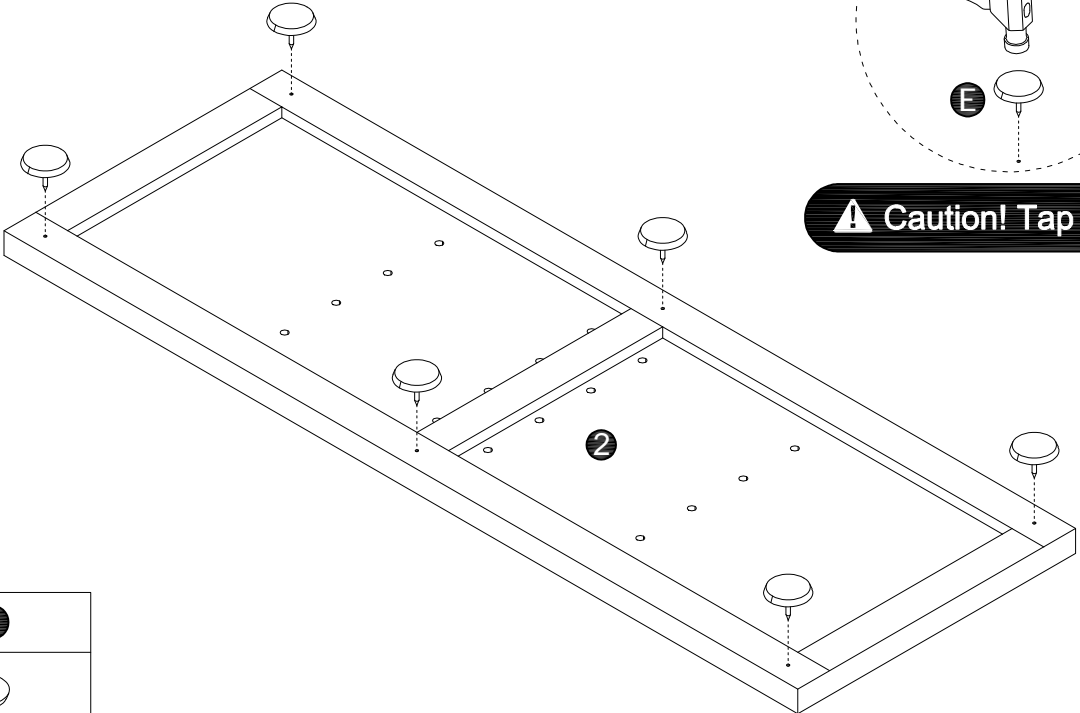
H

2PCS




6





⚠ Caution! Tap lightly

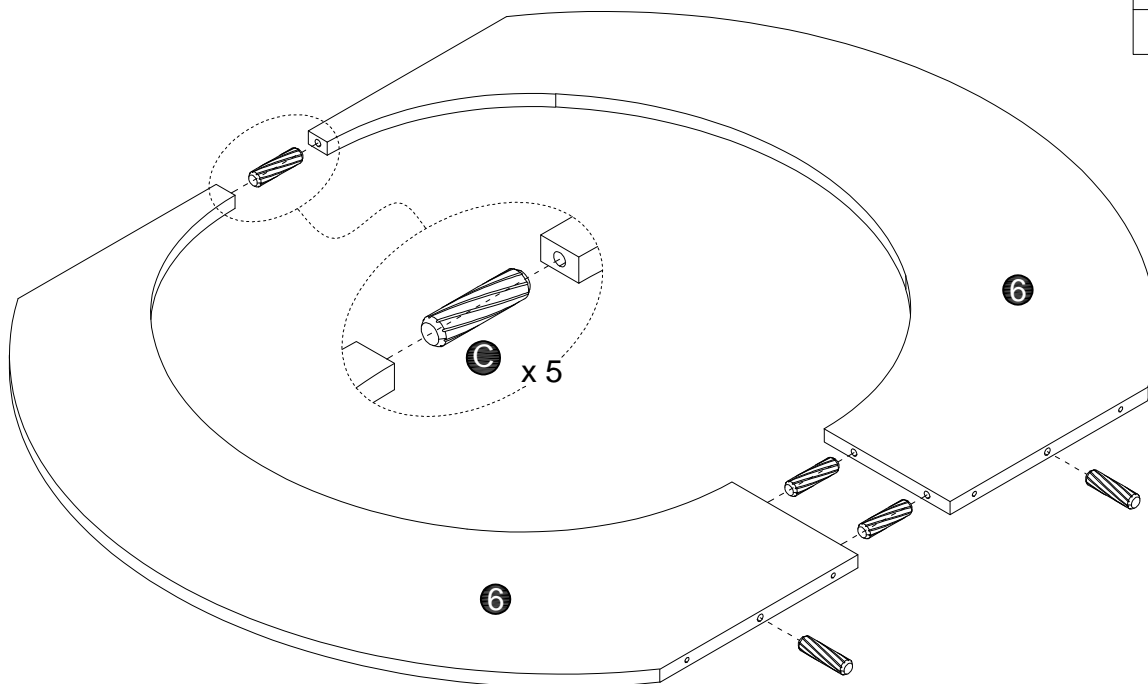


E

Ø22mm
6PCS

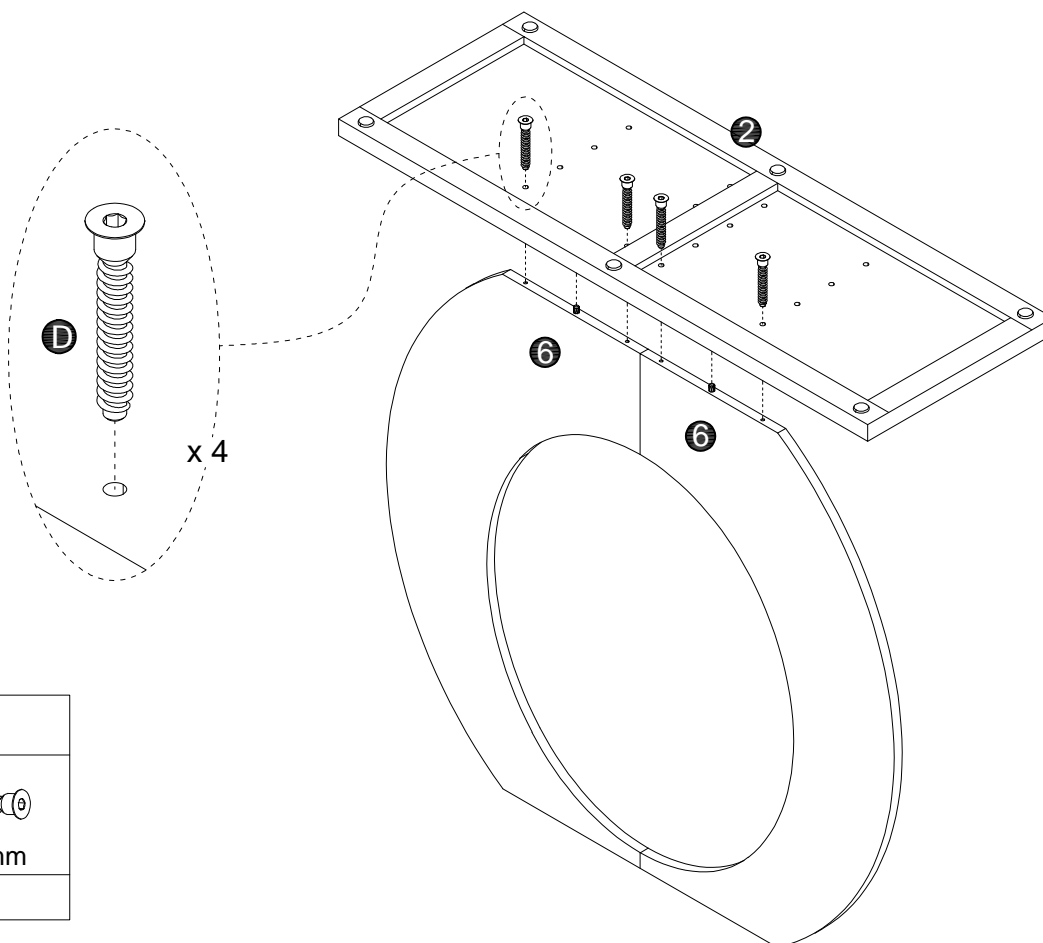
7



x 4



Ø8x30mm
20PCS

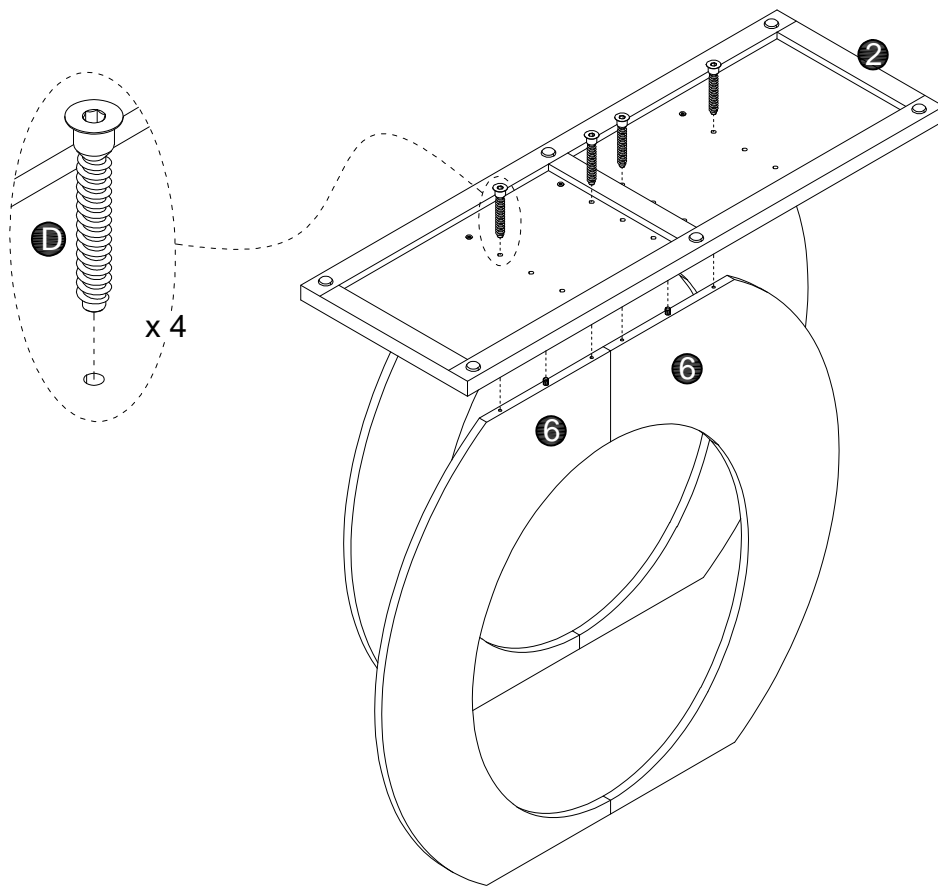



8



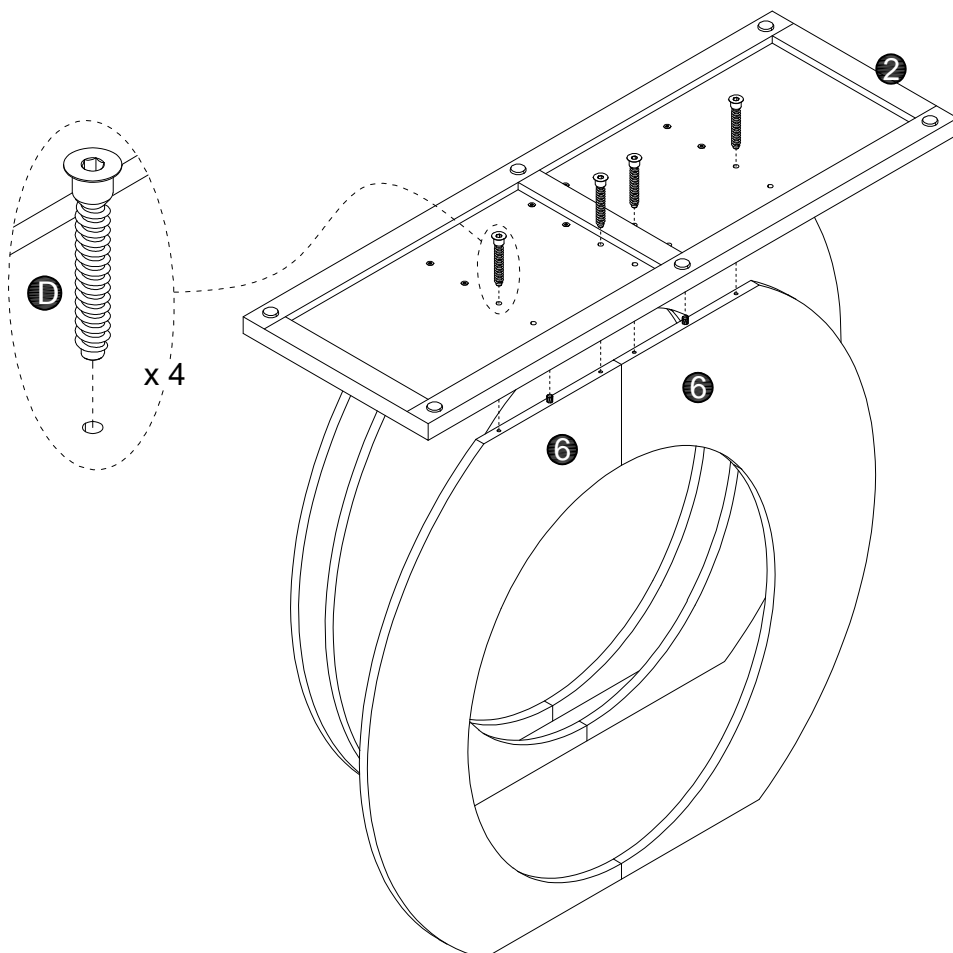


Ø7x38mm
4PCS


9



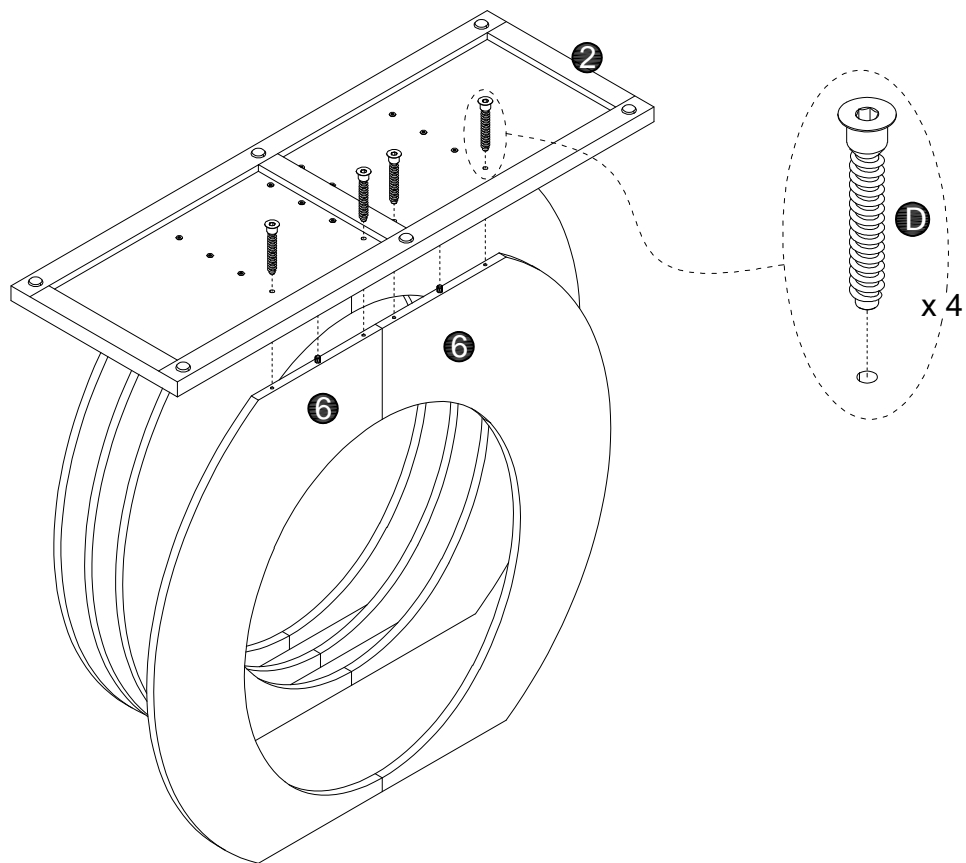
D

Ø7x38mm
4PCS



10



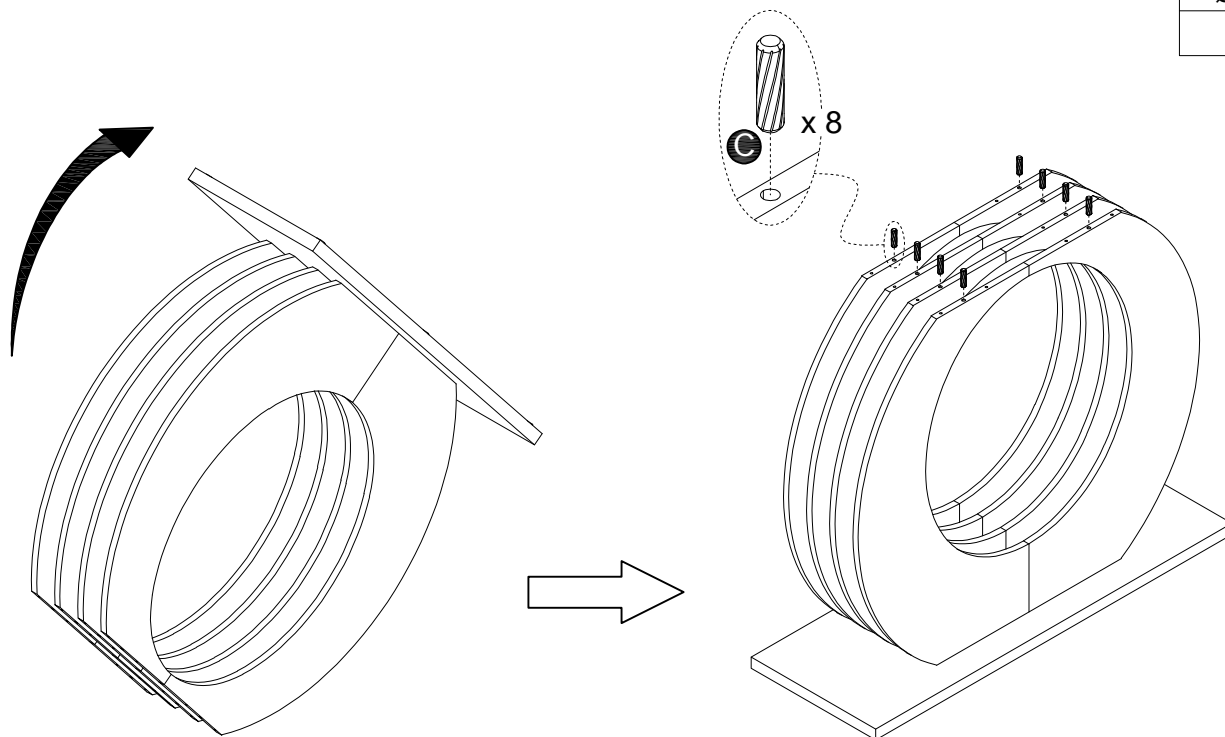
D

Ø7x38mm
4PCS



11



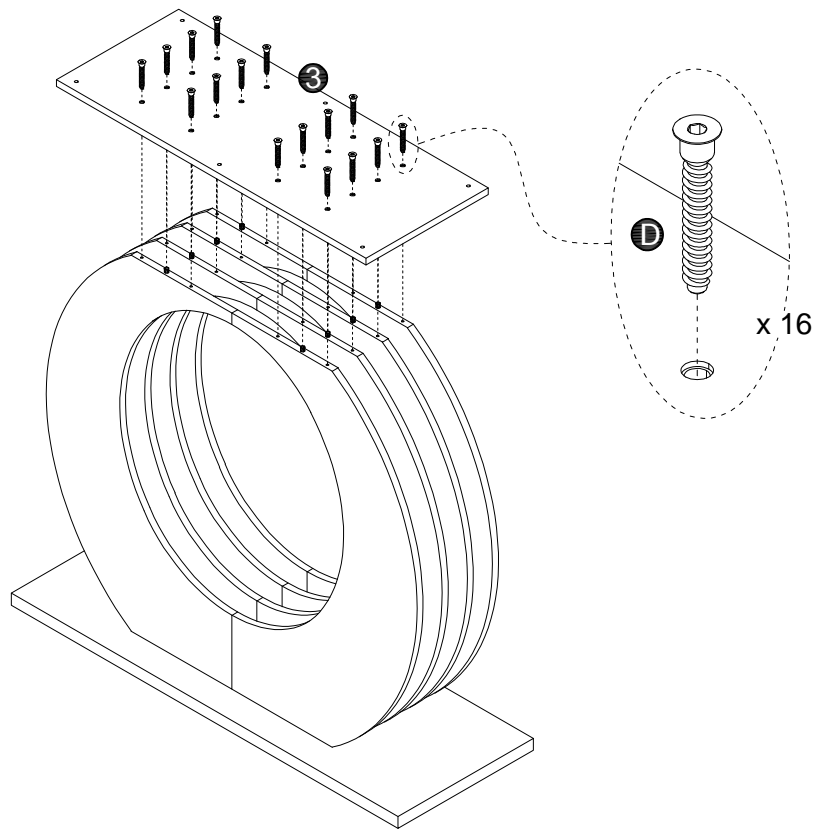


Ø7x38mm
4PCS


12



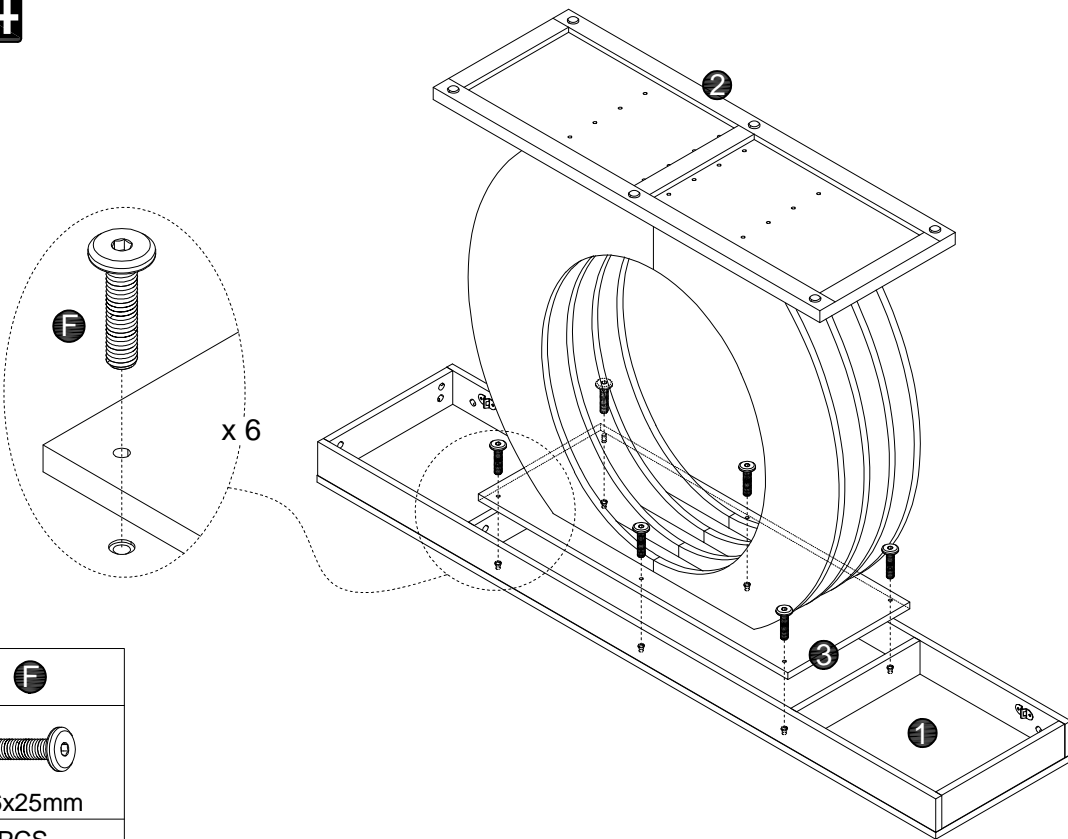


Ø8x30mm
8PCS


13



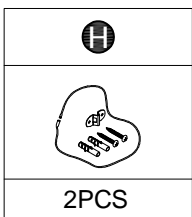
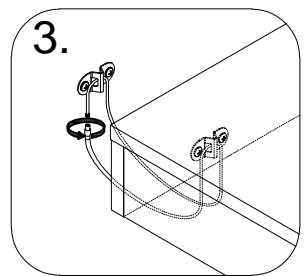
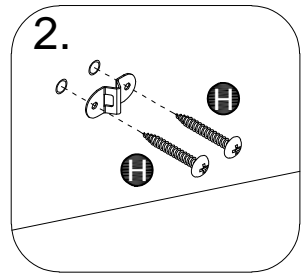
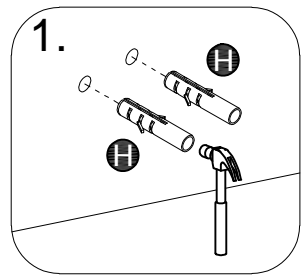
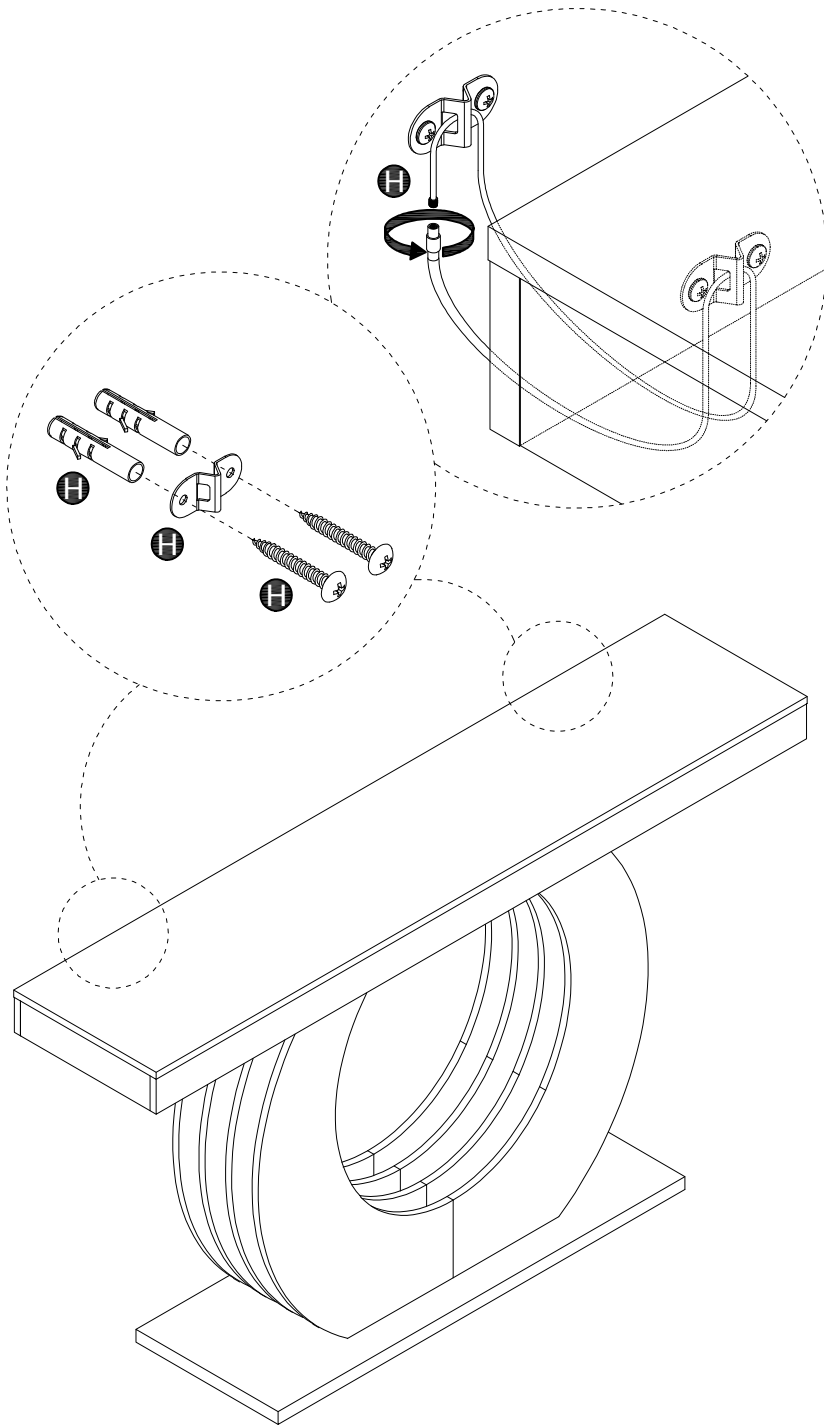
D

Ø7x38mm
16PCS

14



F

M6x25mm
6PCS

15



Thank you for your support!

