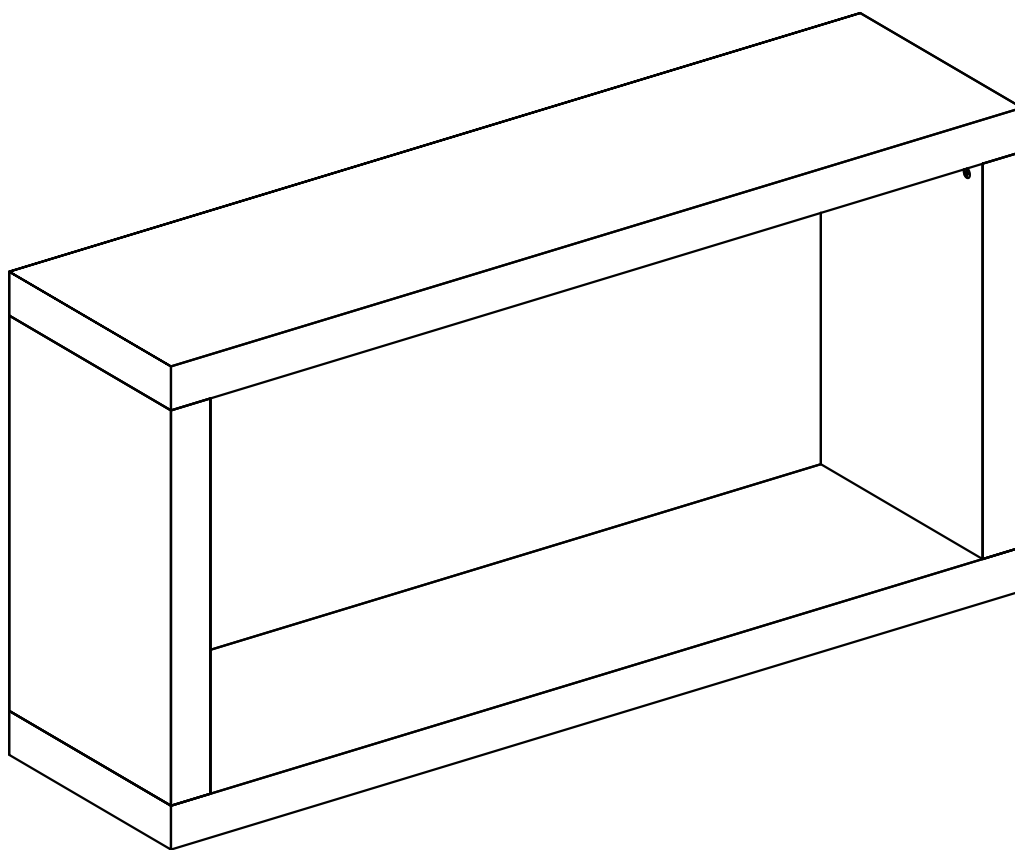


# ASSEMBLY INSTRUCTIONS

## Console Table



# ASSEMBLY INSTRUCTIONS

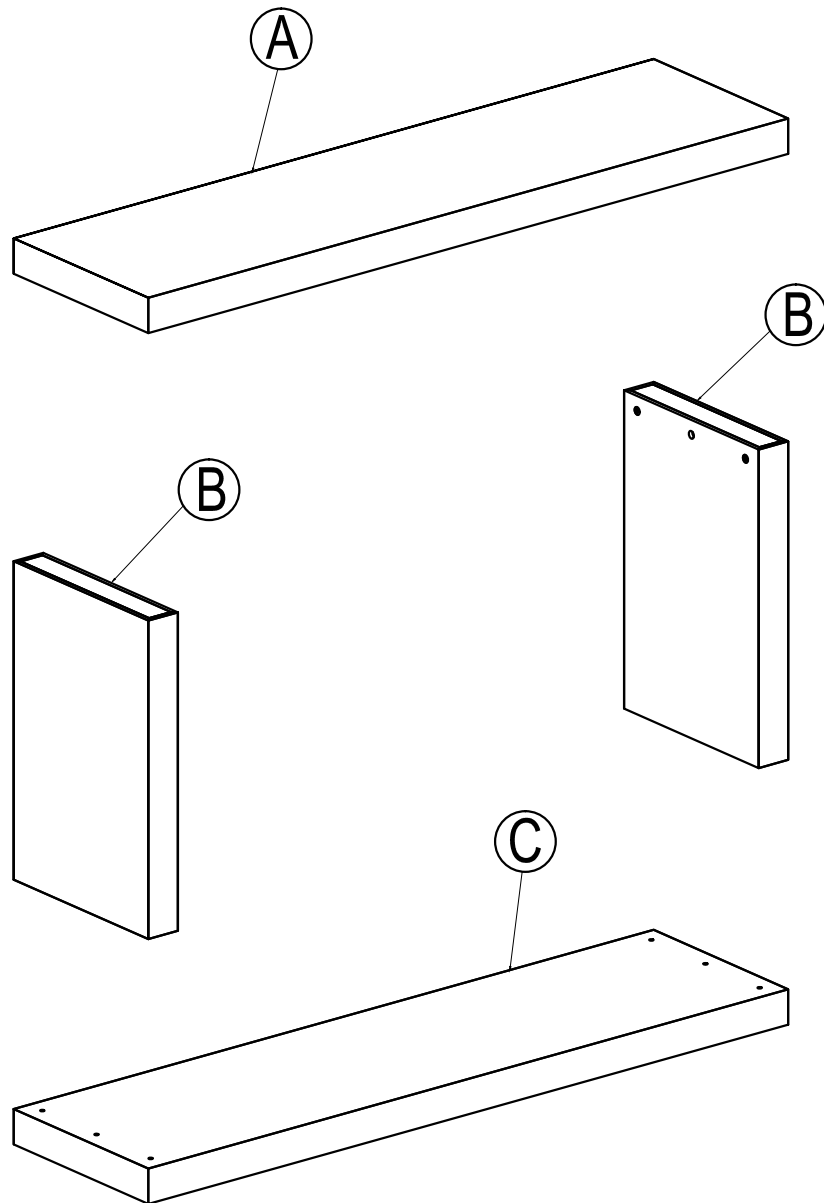
Please read these instructions fully before starting assembly:

1. Place all wooden parts on a clean and smooth surface such as a rug or carpet to avoid scratching the parts.
2. Kindly follow the assembly instructions step by step.
3. Do not tighten all screws and bolts until the stool is fully assembled.
4. Unscrew the protective plastique supports from the metal insert of the table legs before assembly.
5. Parts of the assembly will be easier with 2 people.

Care and maintenance:

Only clean using a damp cloth and mild detergent, do not use bleach or abrasive cleaners.

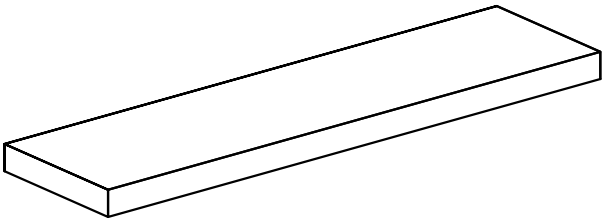
# ASSEMBLY INSTRUCTIONS



# ASSEMBLY INSTRUCTIONS

## Part List

Ⓐ



Ⓑ



TABLE TOP (1 pc)

LEG (2 pcs)

Ⓒ

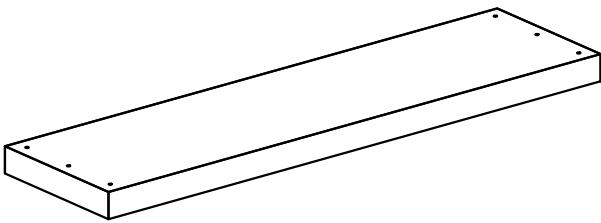
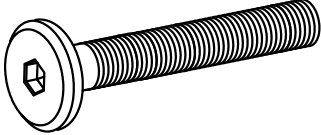
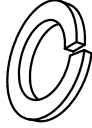
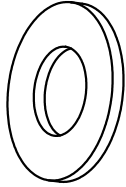

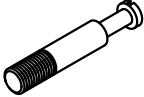





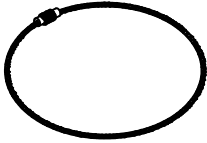


TABLE BOTTOM (1 pc)

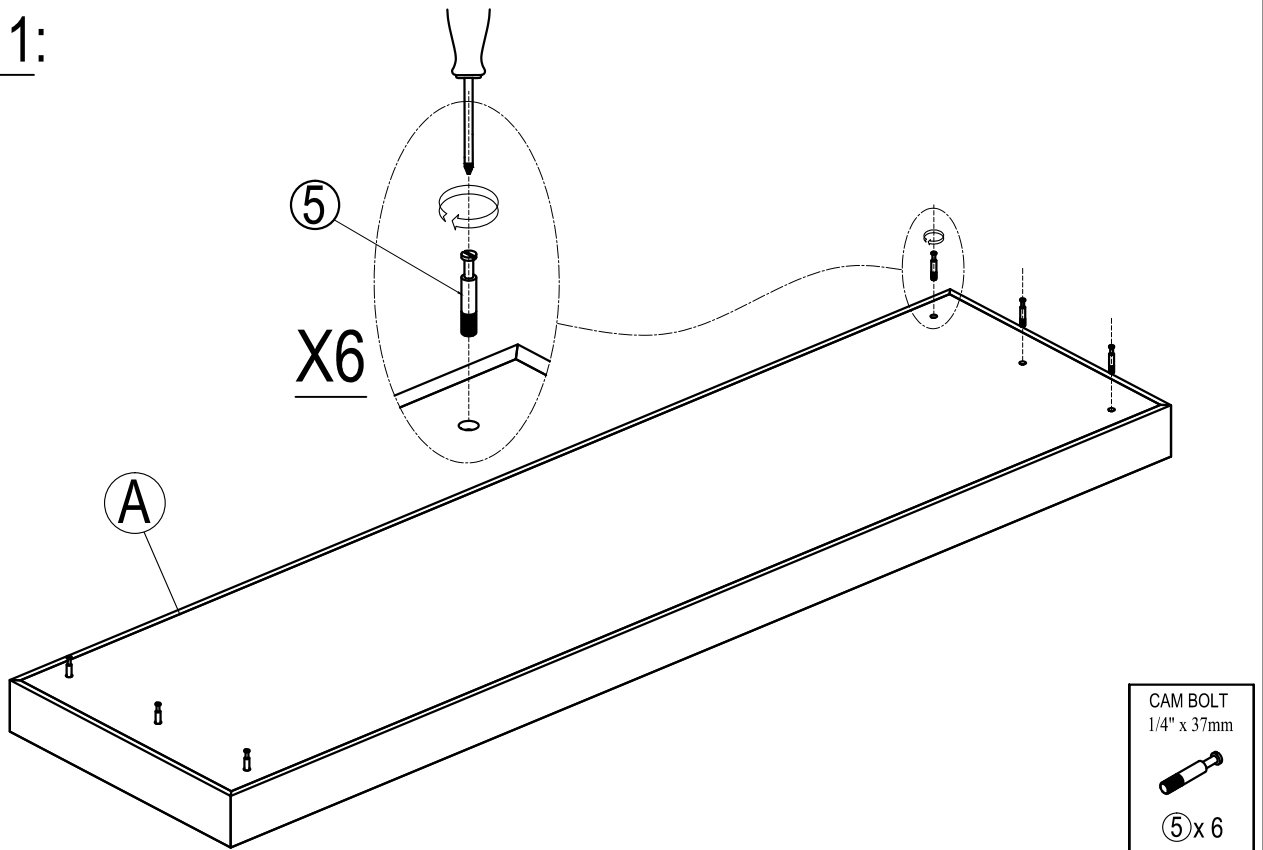
# ASSEMBLY INSTRUCTIONS

## Hardware List

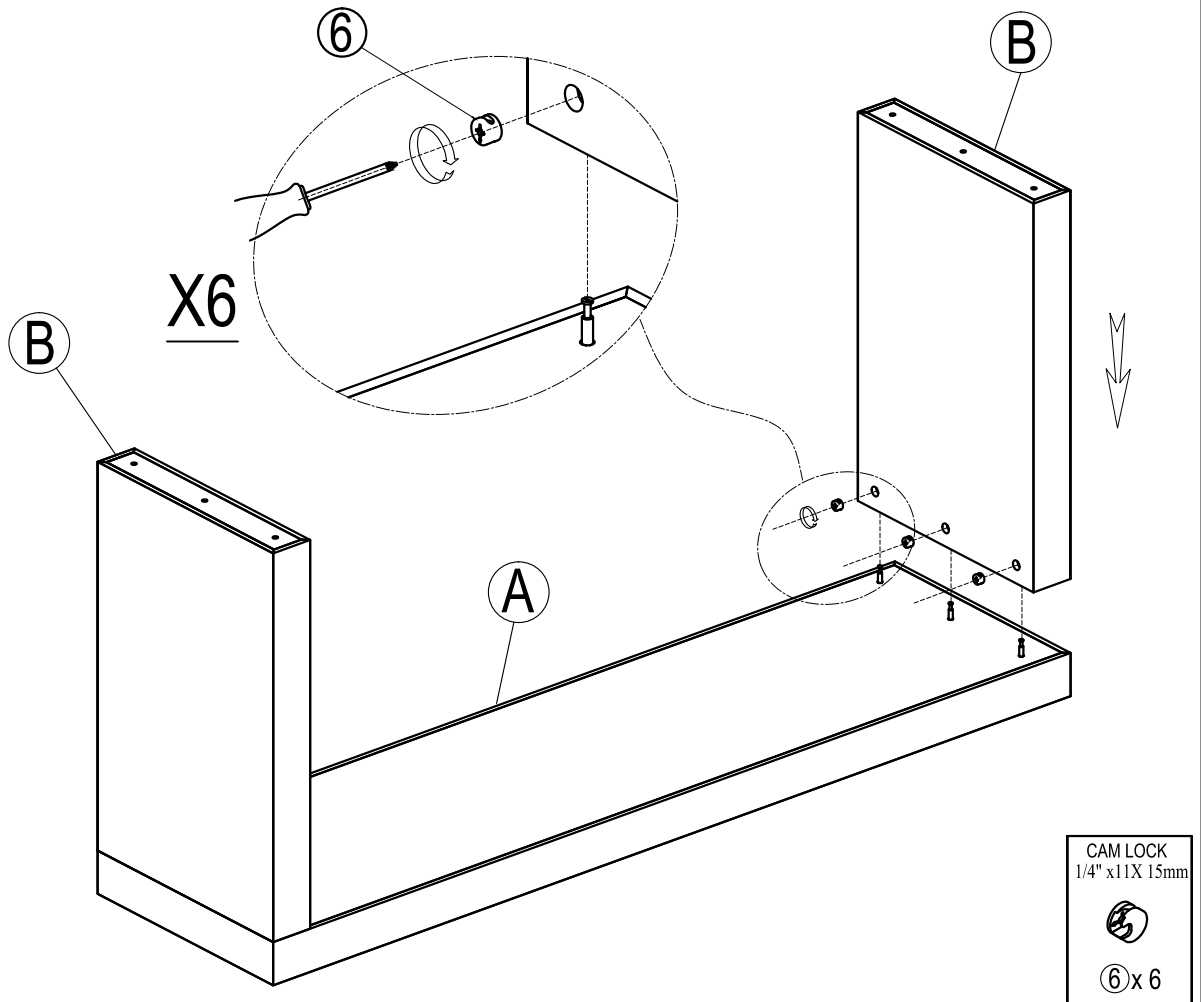
<p>①</p>  <p>Ø 5/16" x 60 mm BOLT (6 pcs)</p>	<p>②</p>  <p>Ø5/16" x 13 mm LOCK WASHER (6 pcs)</p>
<p>③</p>  <p>Ø5/16" x 19 x 2 mm FLAT WASHER (6 pcs)</p>	<p>④</p>  <p>4 mm ALLEN KEY (1 pc)</p>
<p>⑤</p>  <p>1/4" x 37mm CAM BOLT (6 pcs)</p>	<p>⑥</p>  <p>1/4" x 11X 15mm CAM LOCK (6 pcs)</p>
<p>⑦</p> <div style="display: flex; justify-content: space-around; align-items: flex-start;"> <div style="text-align: center;"> <p>Ax2</p>  <p>Bx4</p>  </div> <div style="text-align: center;"> <p>Cx2</p>  <p>Dx2</p>  </div> <div style="text-align: center;"> <p>Ex2</p>  </div> </div> <p>ANTI-PACKING KIT(2 SETS)</p>	

# ASSEMBLY INSTRUCTIONS

## STEP 1:

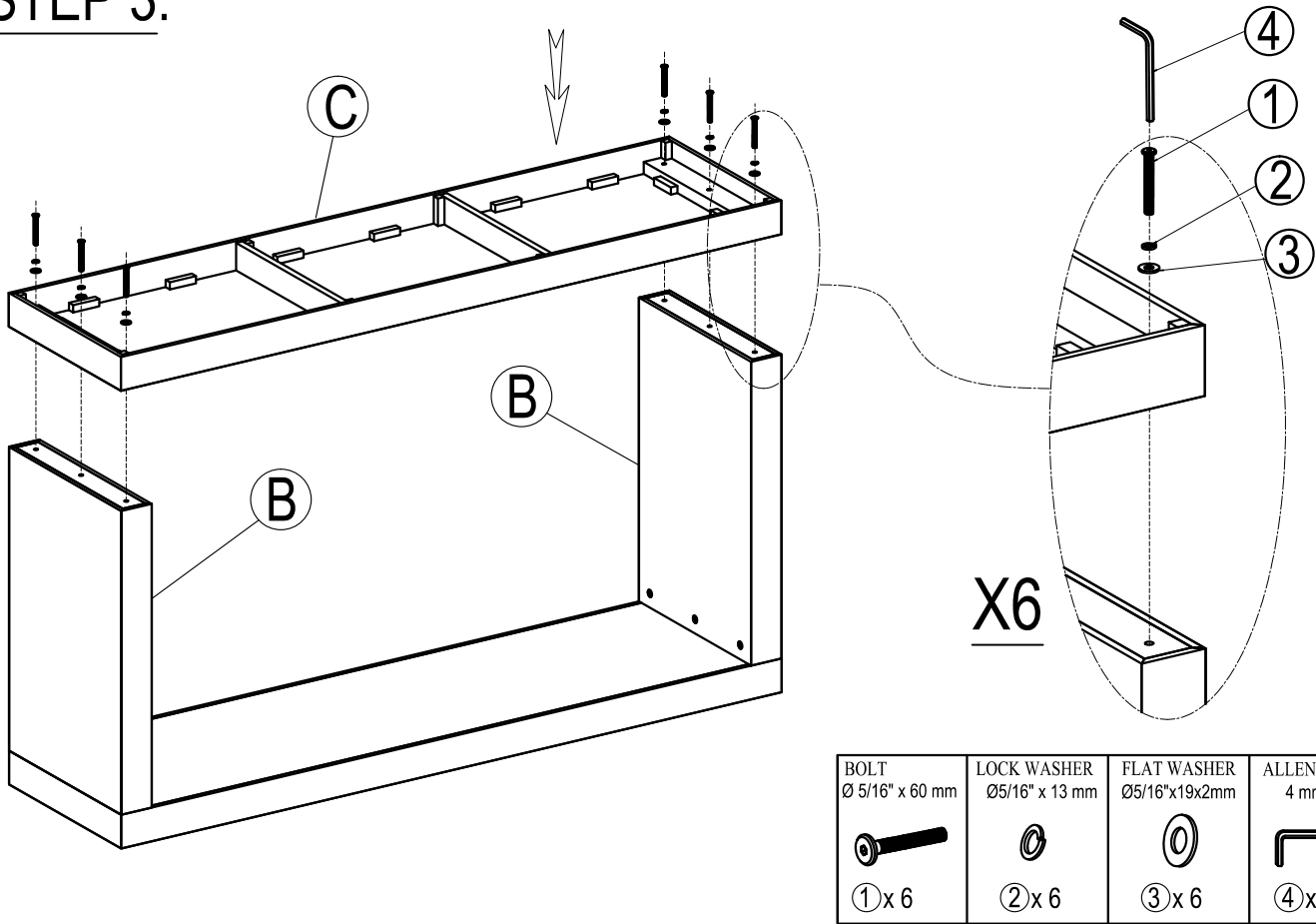






## STEP 2:



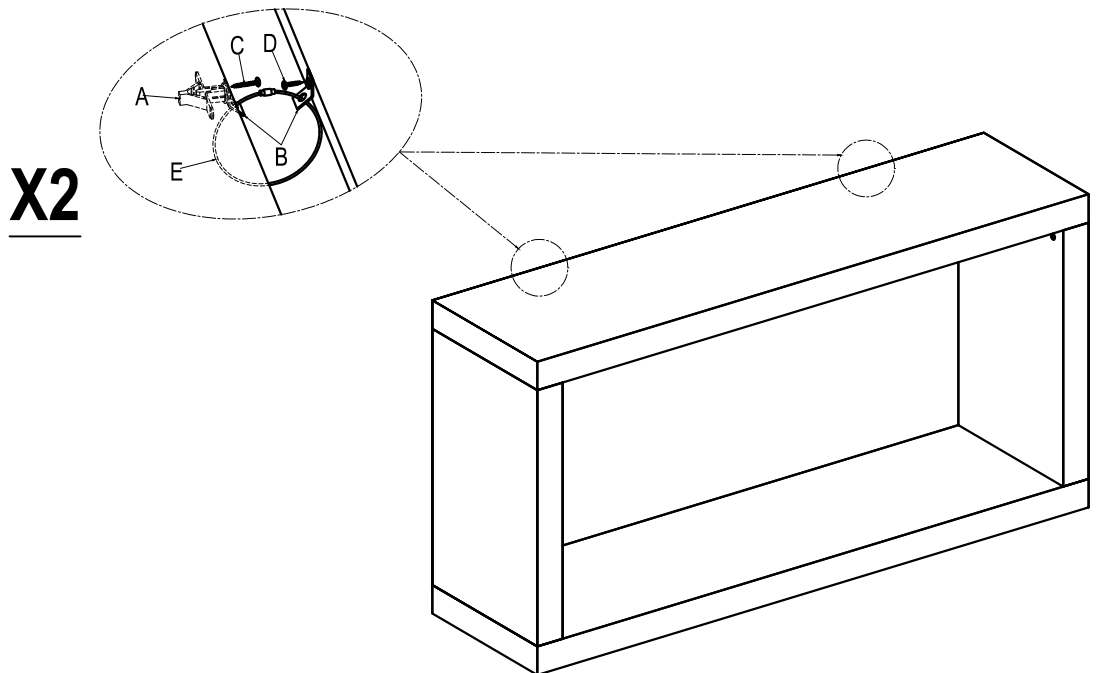
# ASSEMBLY INSTRUCTIONS





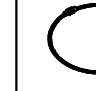
## STEP 3:



BOLT Ø 5/16" x 60 mm	LOCK WASHER Ø5/16" x 13 mm	FLAT WASHER Ø5/16"x19x2mm	ALLEN KEY 4 mm
			
① x 6	② x 6	③ x 6	④ x 1

## STEP 4:



⑦-A	⑦-B	⑦-C	⑦-D	⑦-E
				
2 pcs	4 pcs	2 pcs	2 pcs	2 pcs

**COMPLETE**