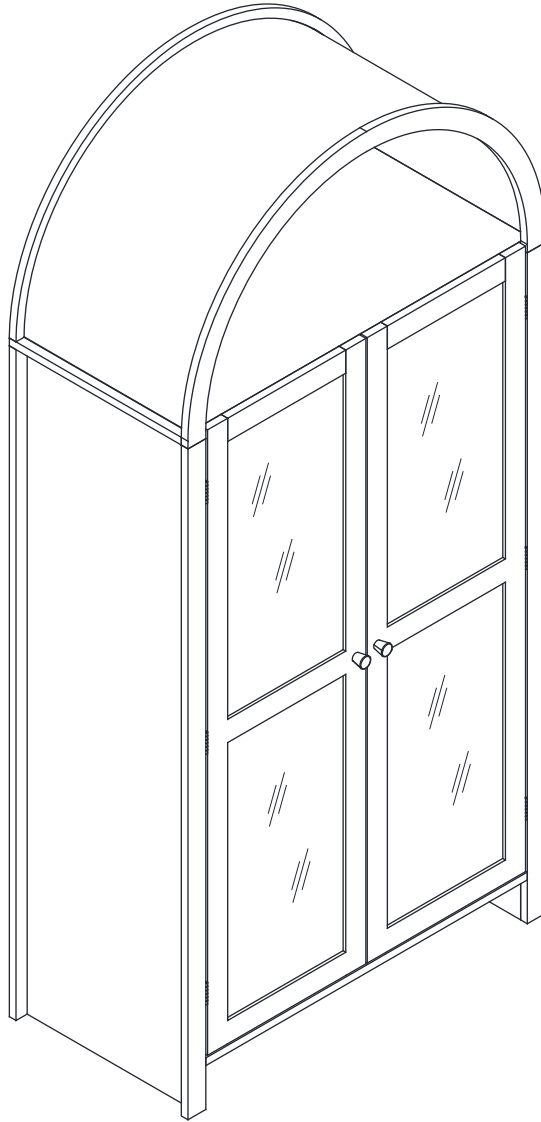


Installation Instruction



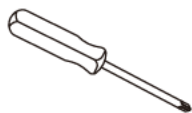
Product name

2 Door Cabinet

Assembling

What you need

- Use the packaging carton as a working surface to prevent product damage during assembly
- Phillips head screwdriver



Weight Limitation



What's included

Code	Description	Qty
A	Cam Bolt M6X35MM	32
B	Cam Lock 15X10MM	32
C	Screw M4X30MM	8
D	Screw M4X14MM	2
E	Screw M3X12MM	28
F	Screw M3X14MM	16
G	Hinge	6
H	Bolt M4X18MM	2
I	Handle	2
J	Anchor M6X30MM	2
K	Plastic Corner Support	12
L	Wooden Dowel M6X30MM	26
M	Magnetic Door Catcher	2
N	Metal Plate	4
O	Nylon Strap	2
P	Screw M4X35MM	5
Q	Metal Support	8

The Hardware



IMPORTANT:

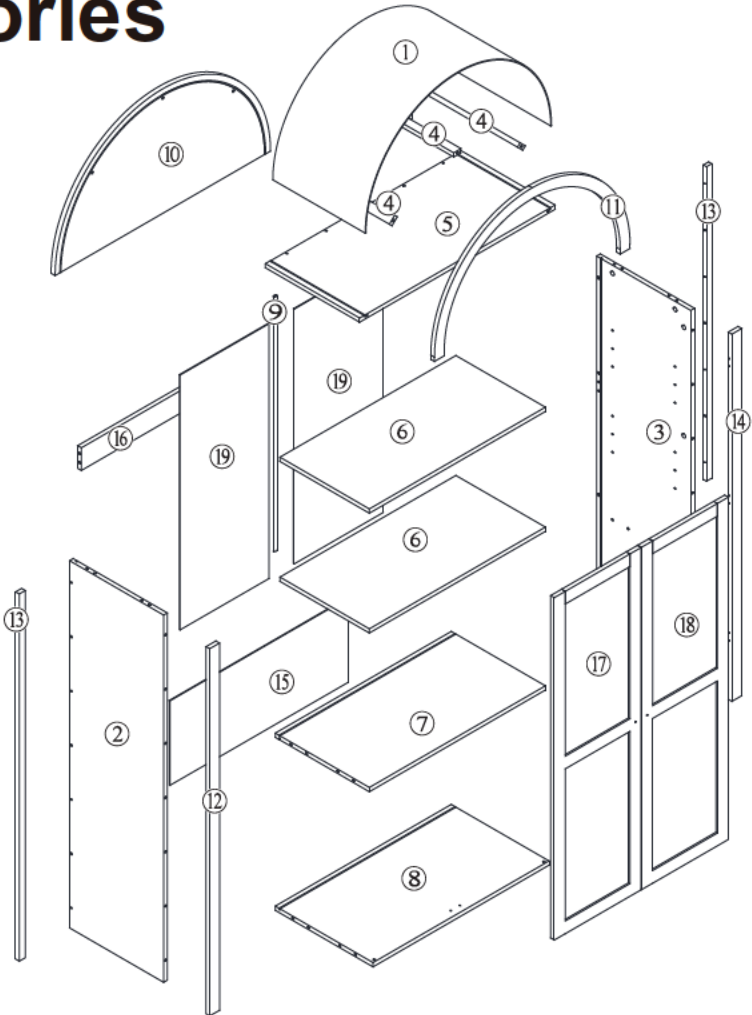
1. Do not tighten bolts / screws completely until all bolts / screws are lined up and inserted into holes.
2. Do not over tighten screws and bolts to avoid stripping.
3. Please use hand tools to assemble this product. Do not use power tools.
4. Must need 2 people to assemble this product.



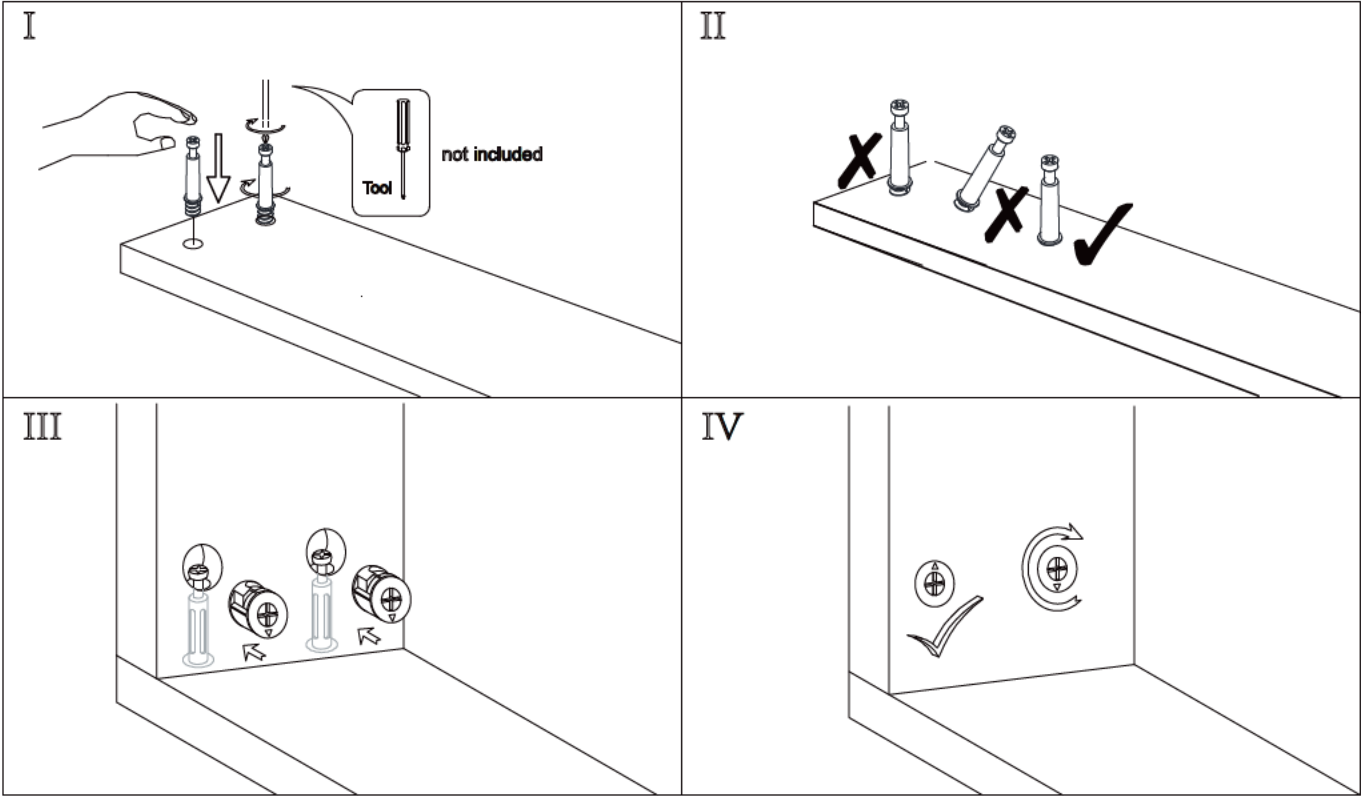
Included Accessories

Code	Description	Qty
1	Cabinet Top	1
2	Left Side Panel	1
3	Right Side Panel	1
4	Top Support Batten	3
5	Top Shelf	1
6	Middle Shelf	2
7	Lower Shelf	1
8	Bottom Panel	1
9	Plastic Strip	1
10	Top Back Panel	1
11	Top Front Frame	1
12	Left Front Vertical Bar	1
13	Back Side Vertical Bar	2
14	Right Front Vertical Bar	1
15	Lower Back Panel	1
16	Horizontal Back Stretcher	1
17	Left Door	1
18	Right Door	1
19	Middle Back Panel	2

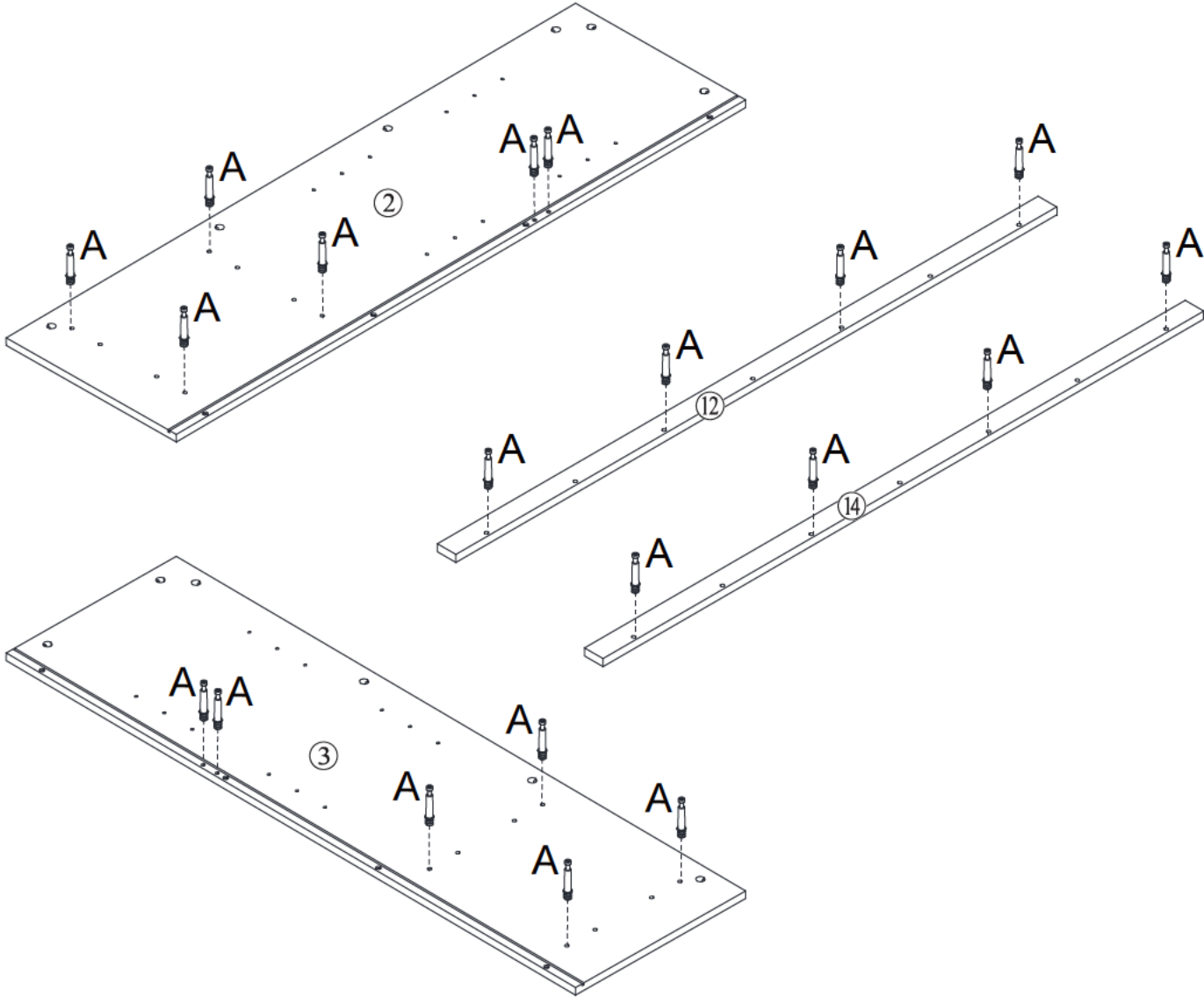
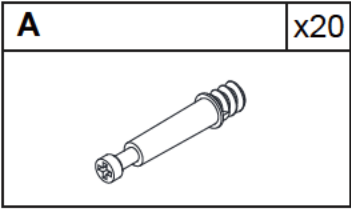
The Accessories




NOTED:

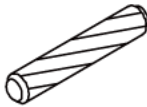


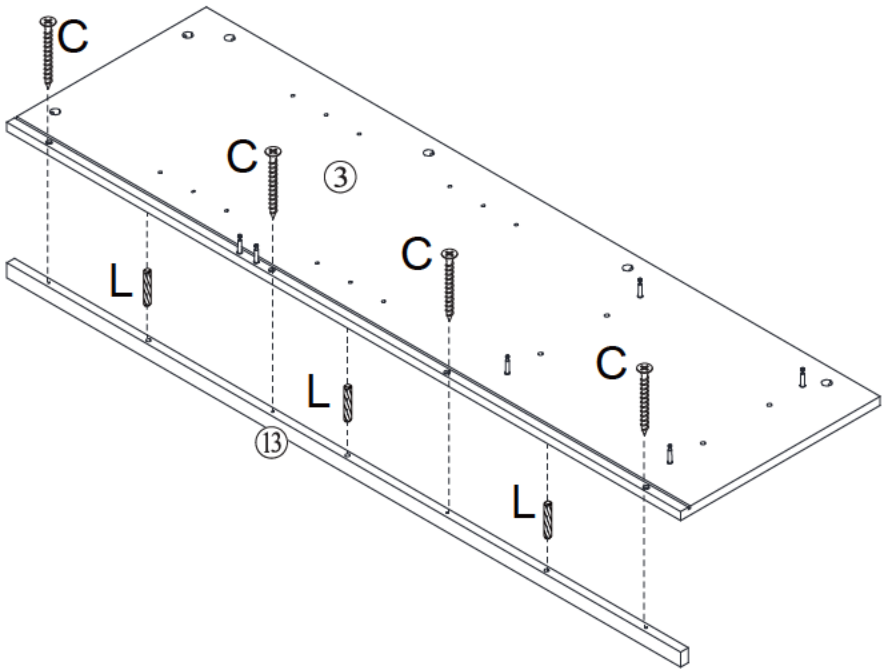
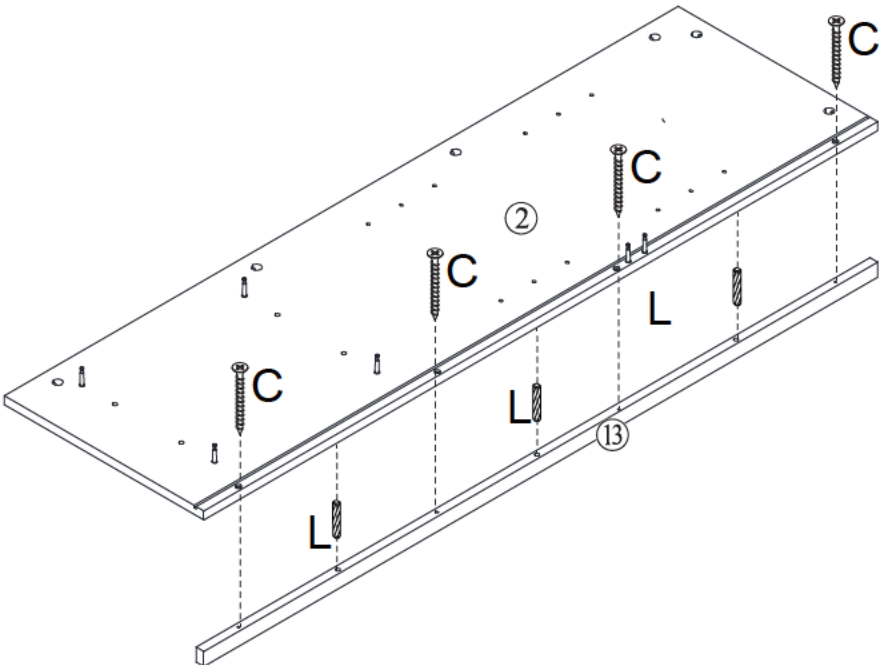
Step 1



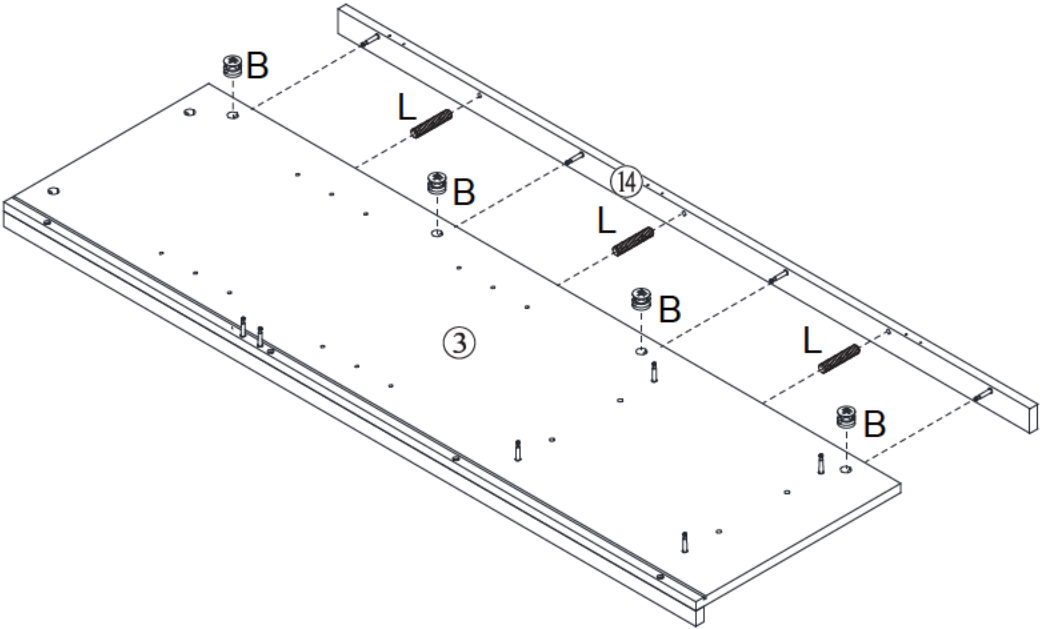
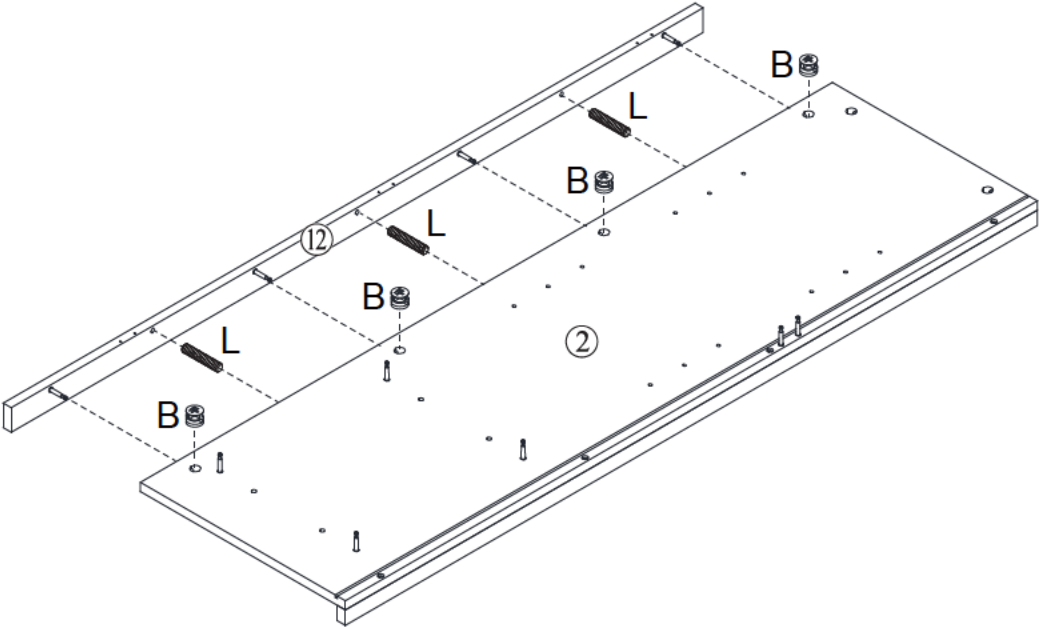
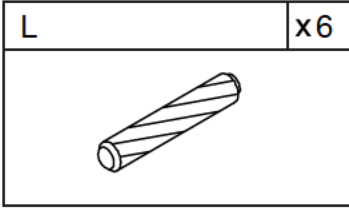
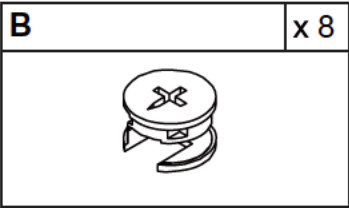
Step 2

C	x8
	

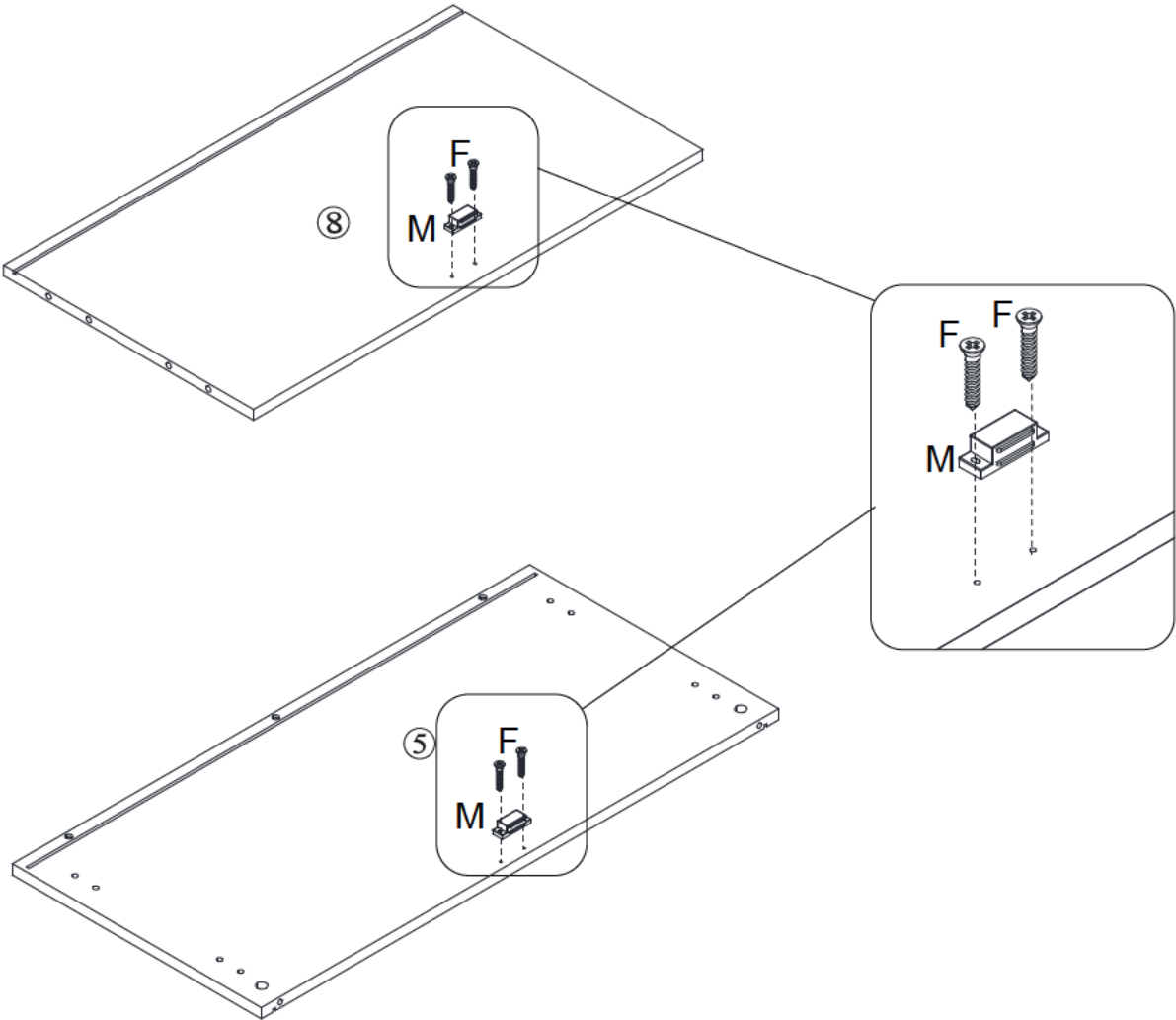
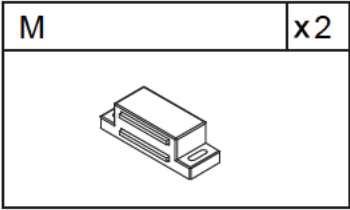
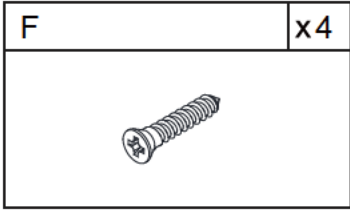
L	x6
	




Step 3

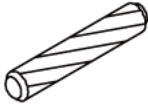


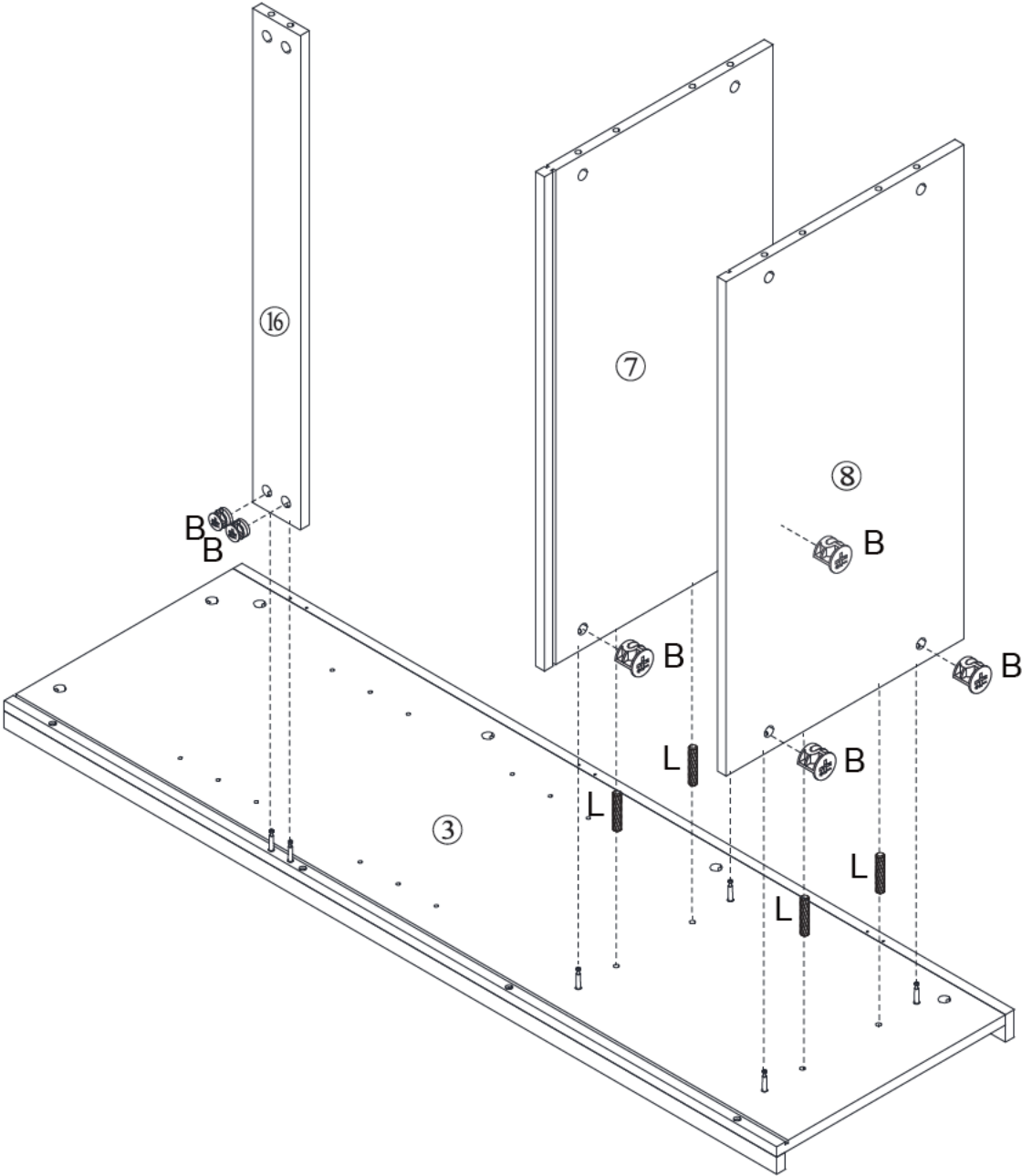
Step 4



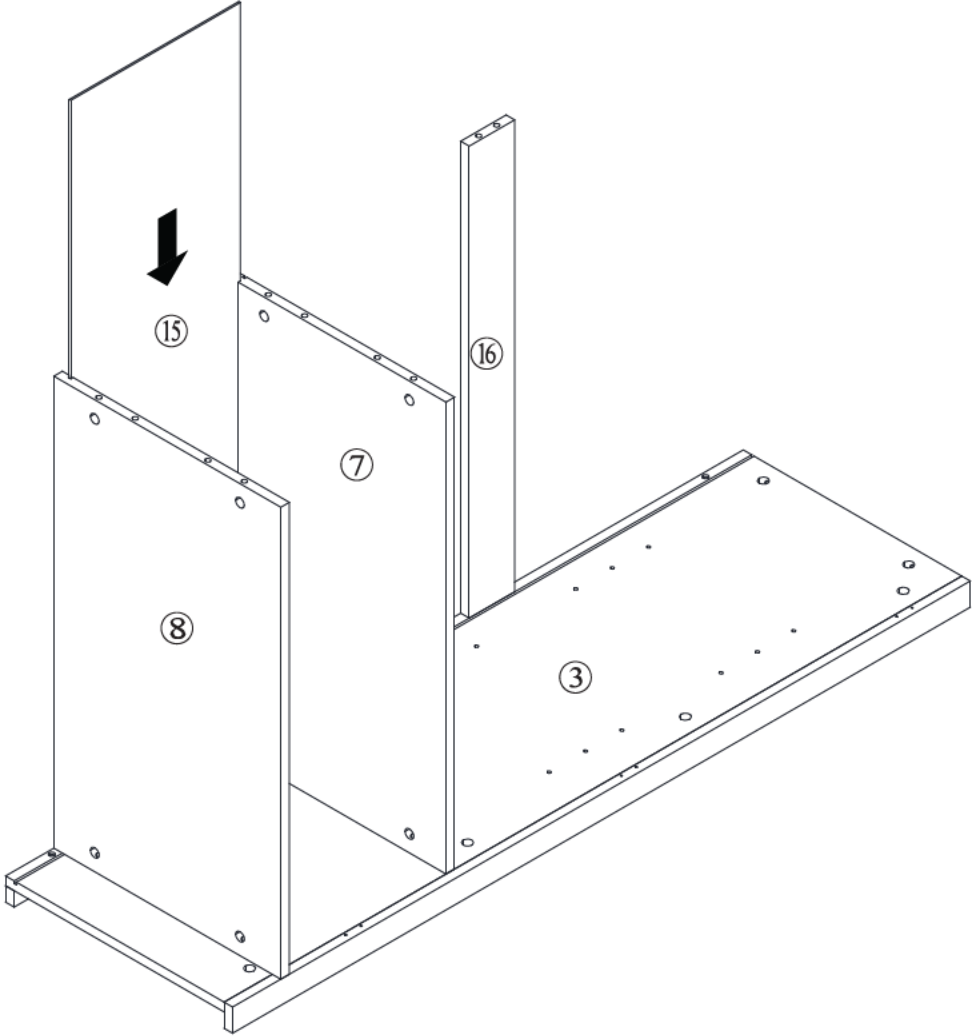
Step 5

B	x 6
	


L	x 4
	

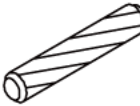


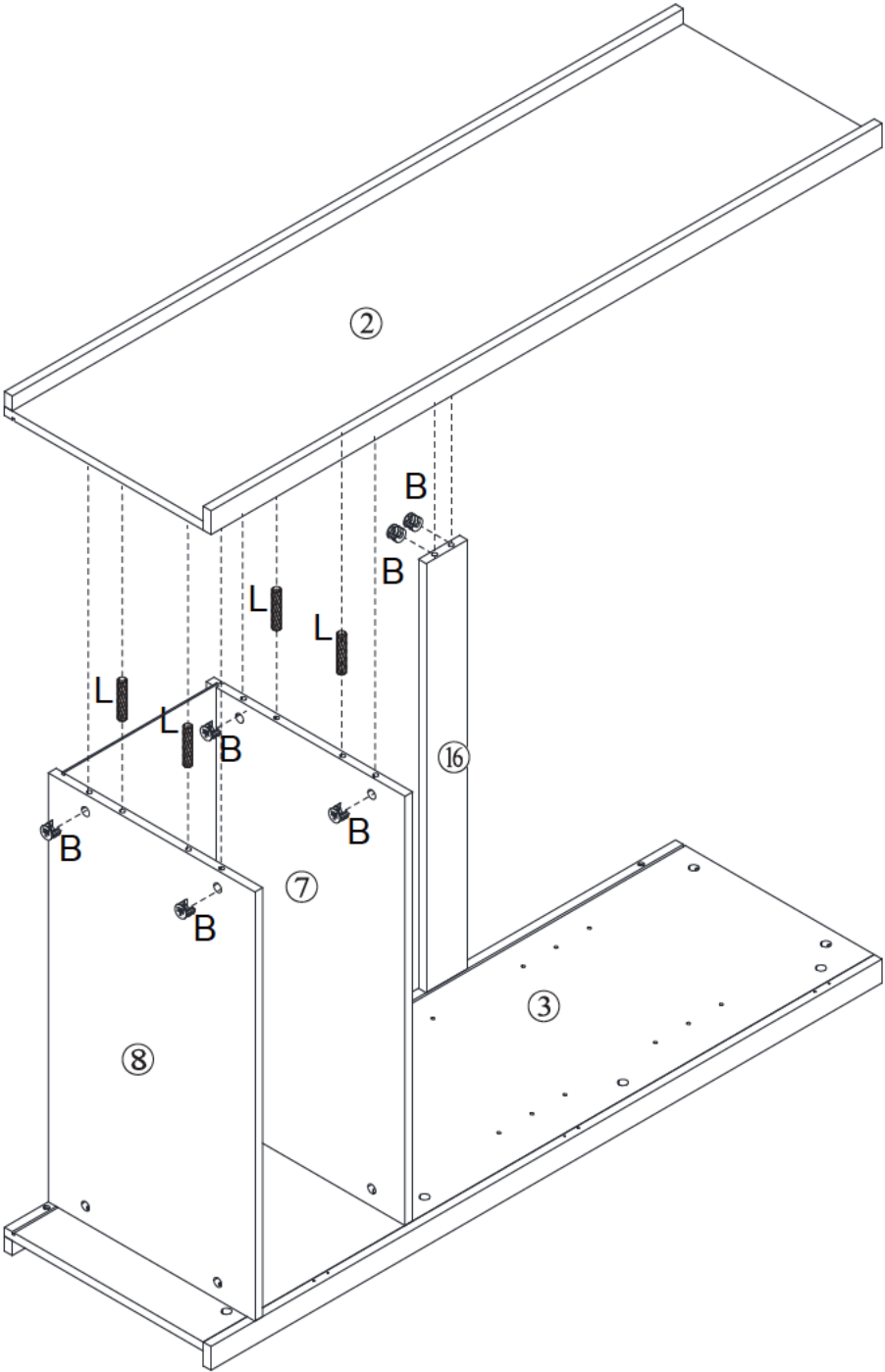
Step 6



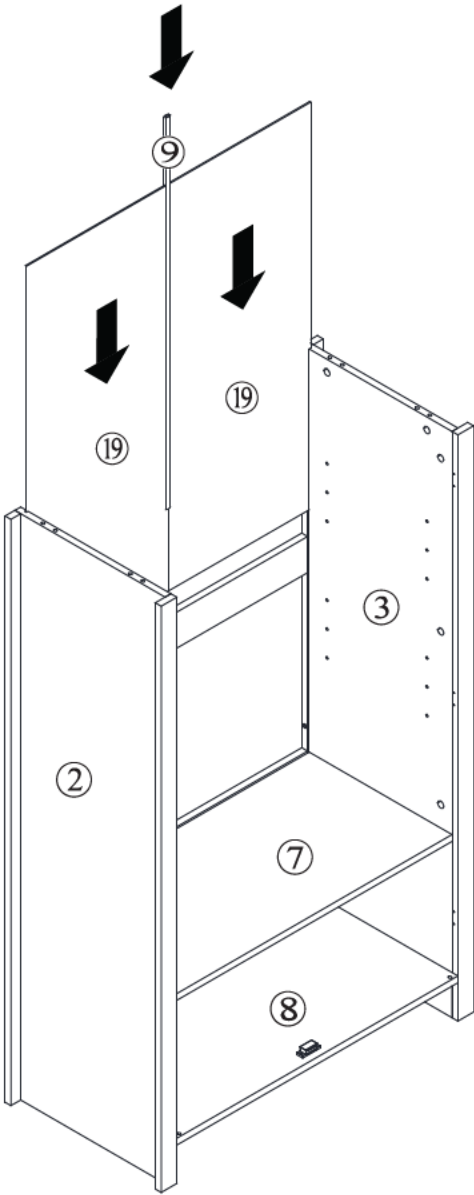
Step 7

B	x 6
	

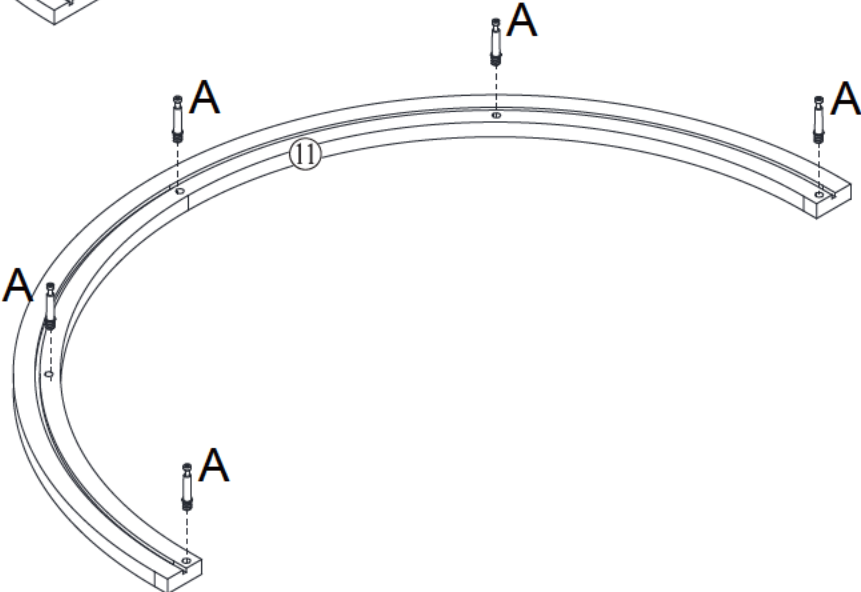
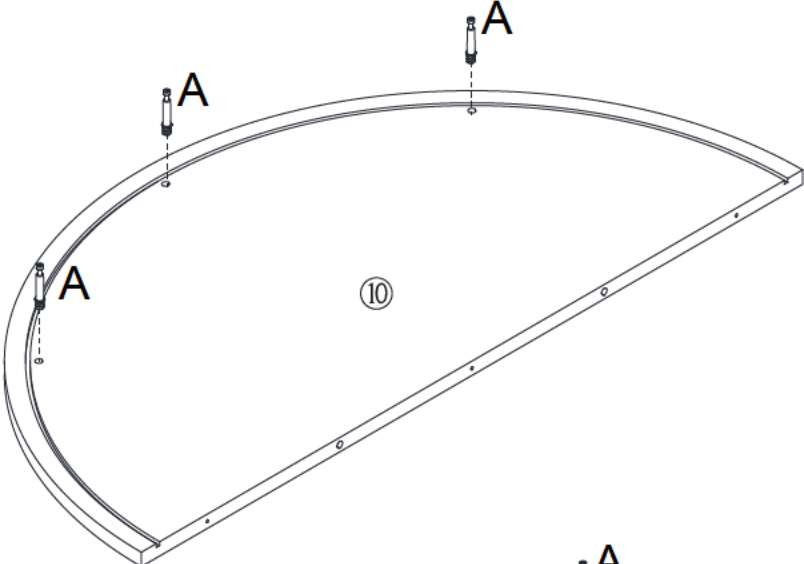
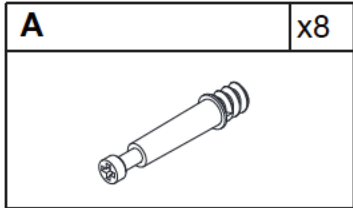
L	x 4
	




Step 8




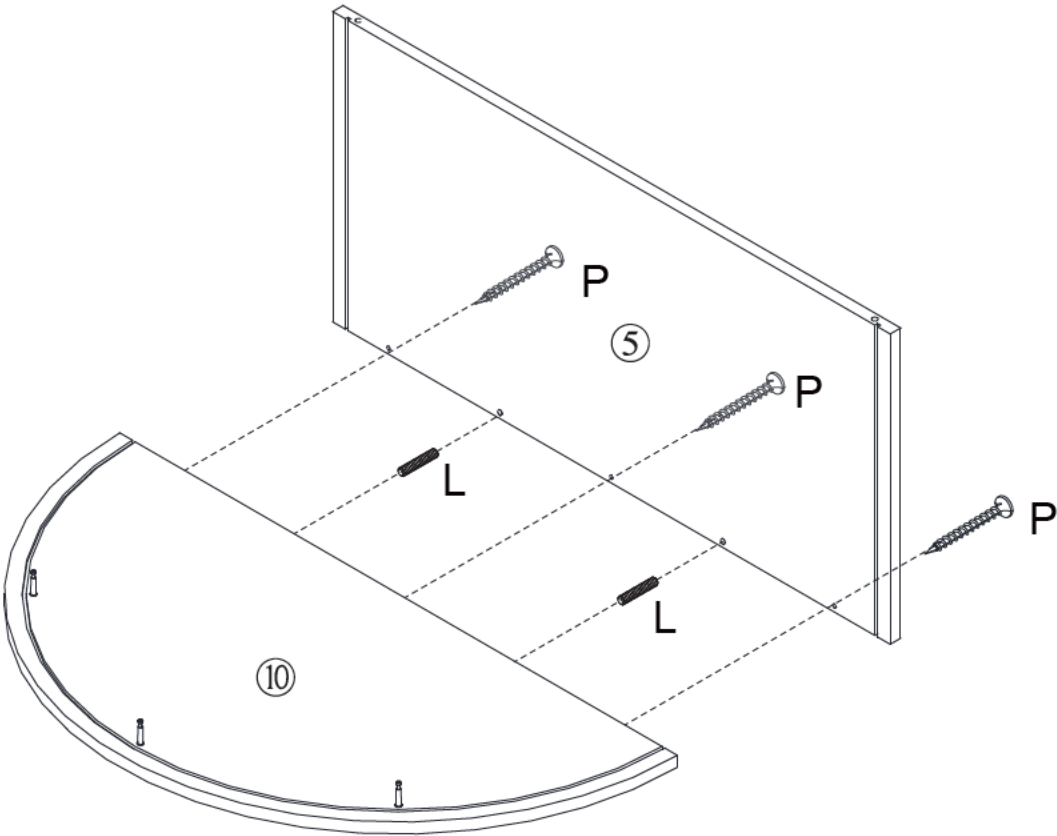
Step 9



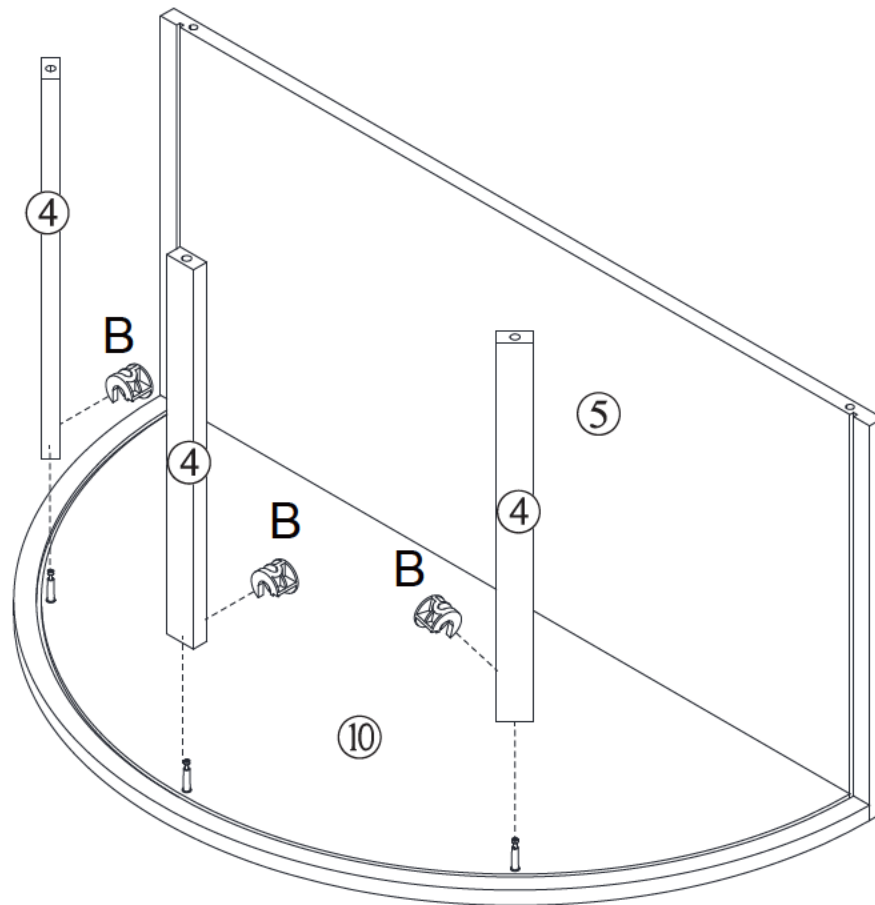
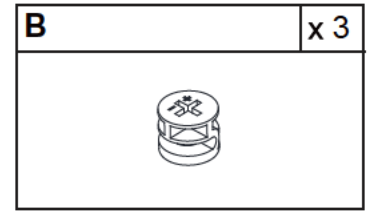
Step 10

P	x 3
	

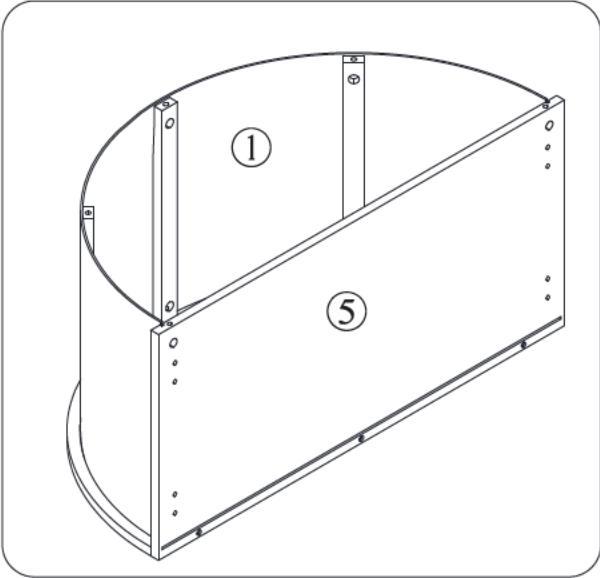
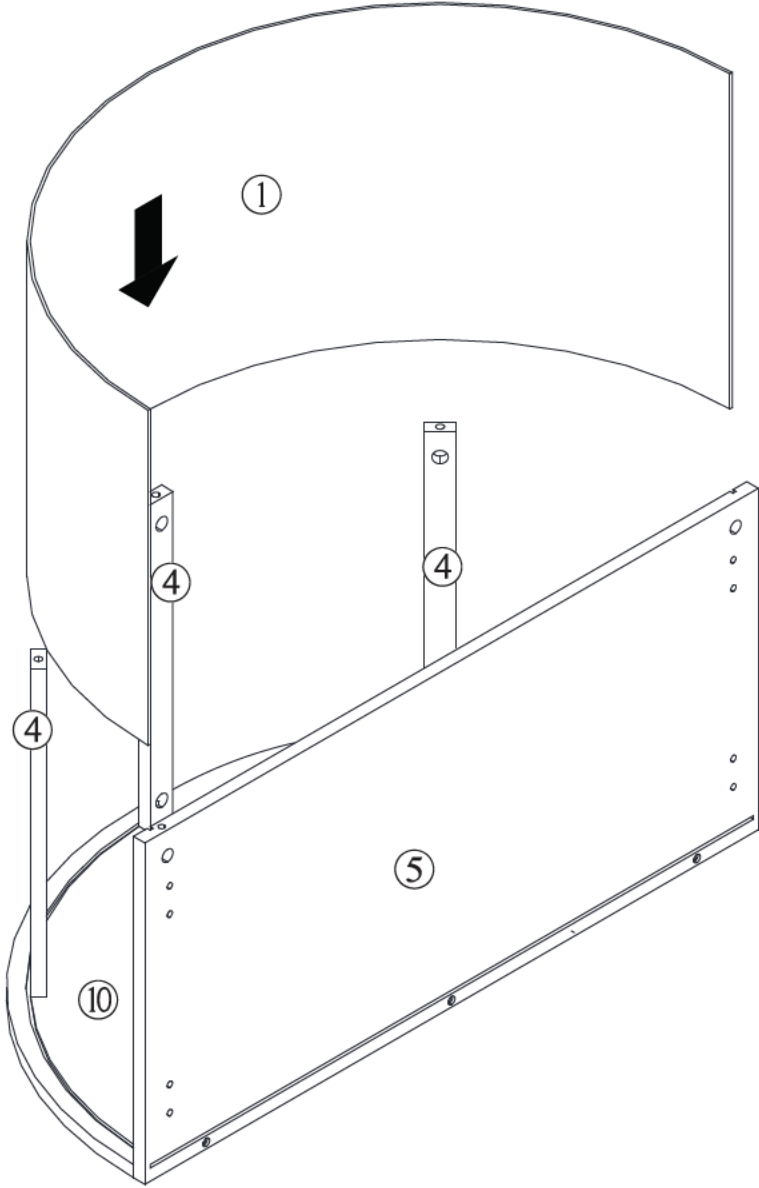
L	x 2
	




Step 11

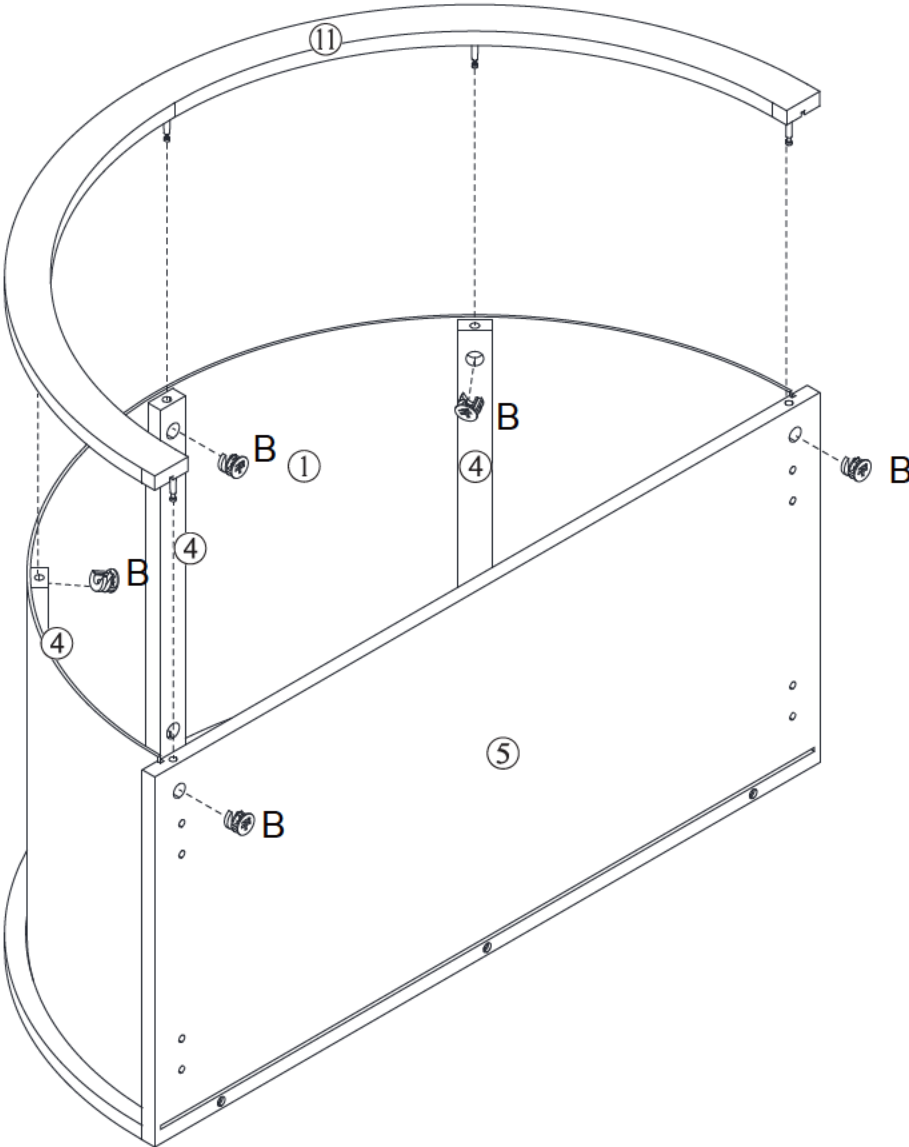


Step 12

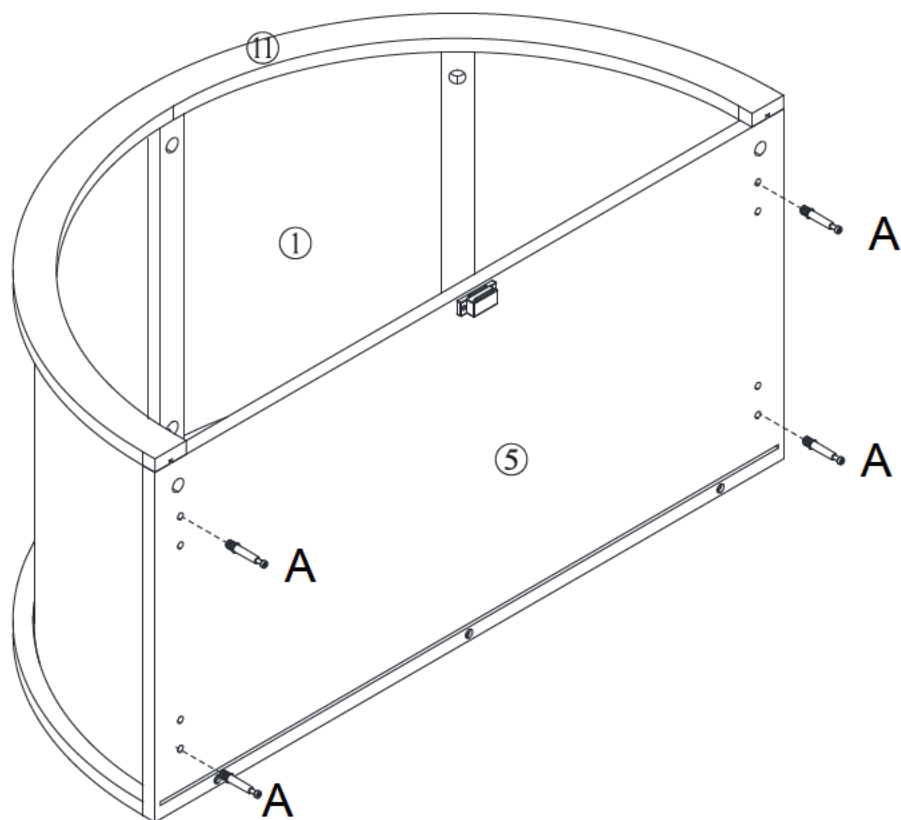
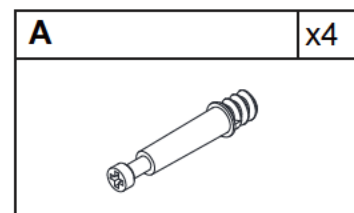


Step 13

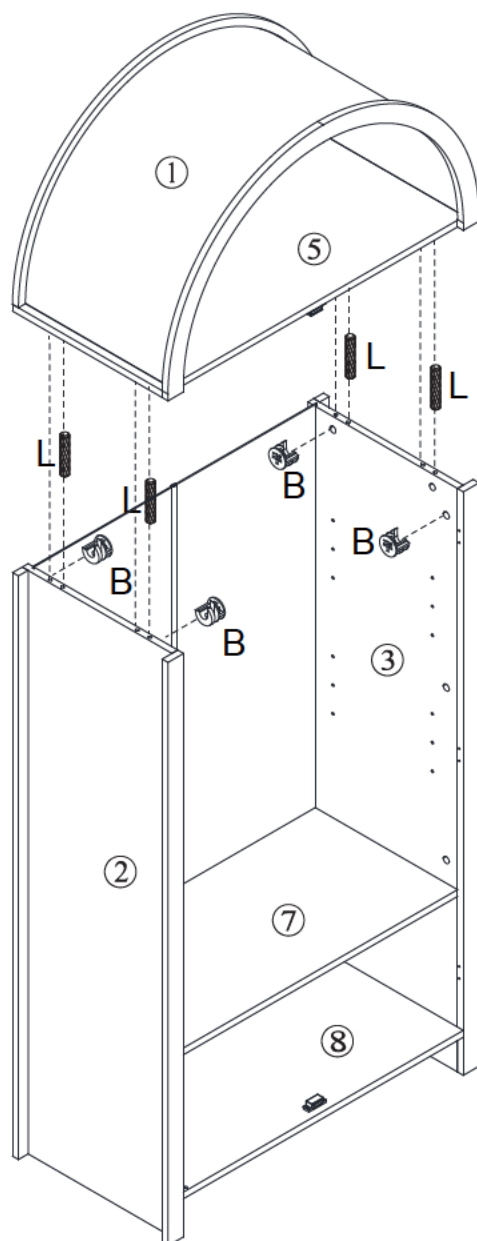
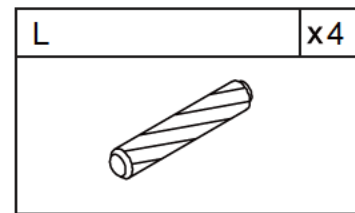
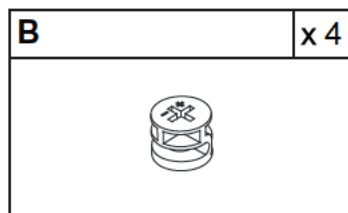
B	x 5
	



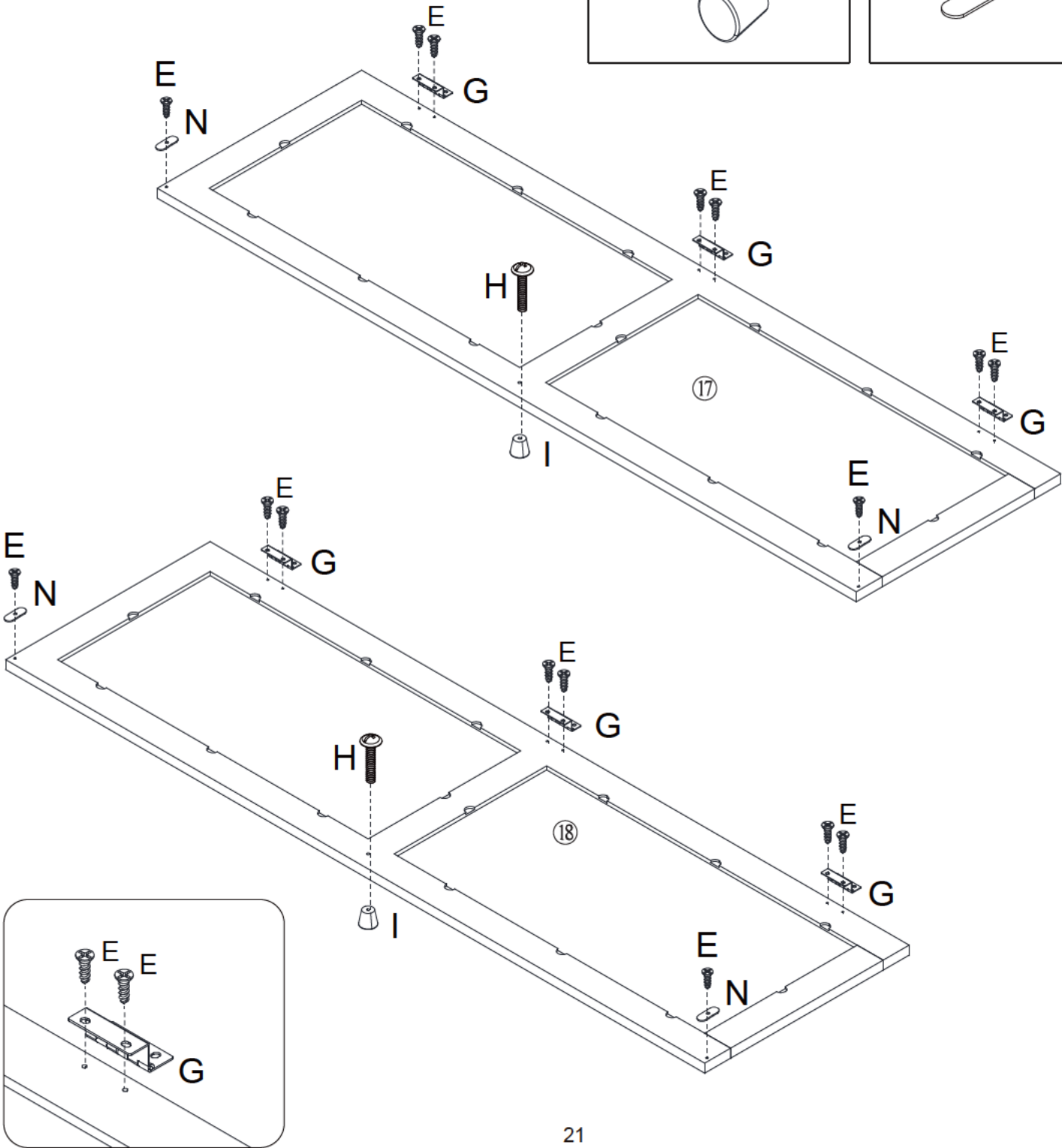
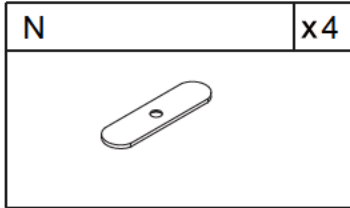
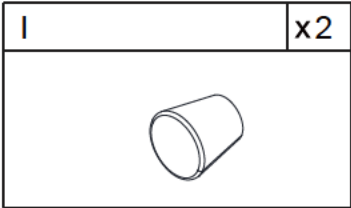
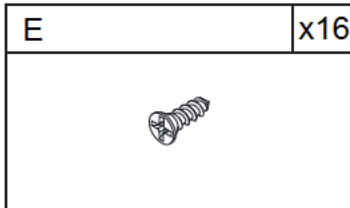
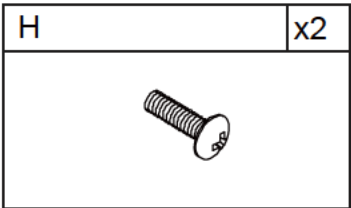
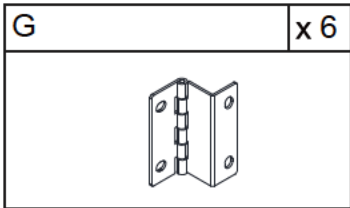
Step 14




Step 15

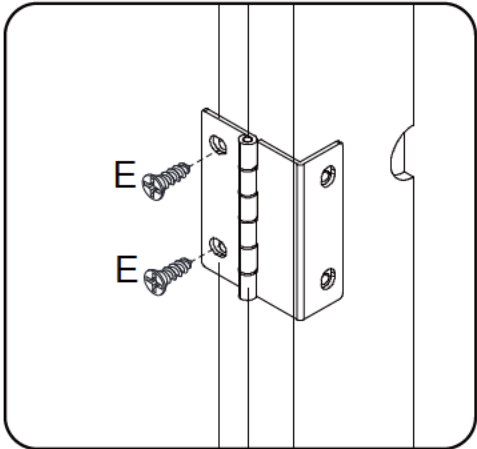
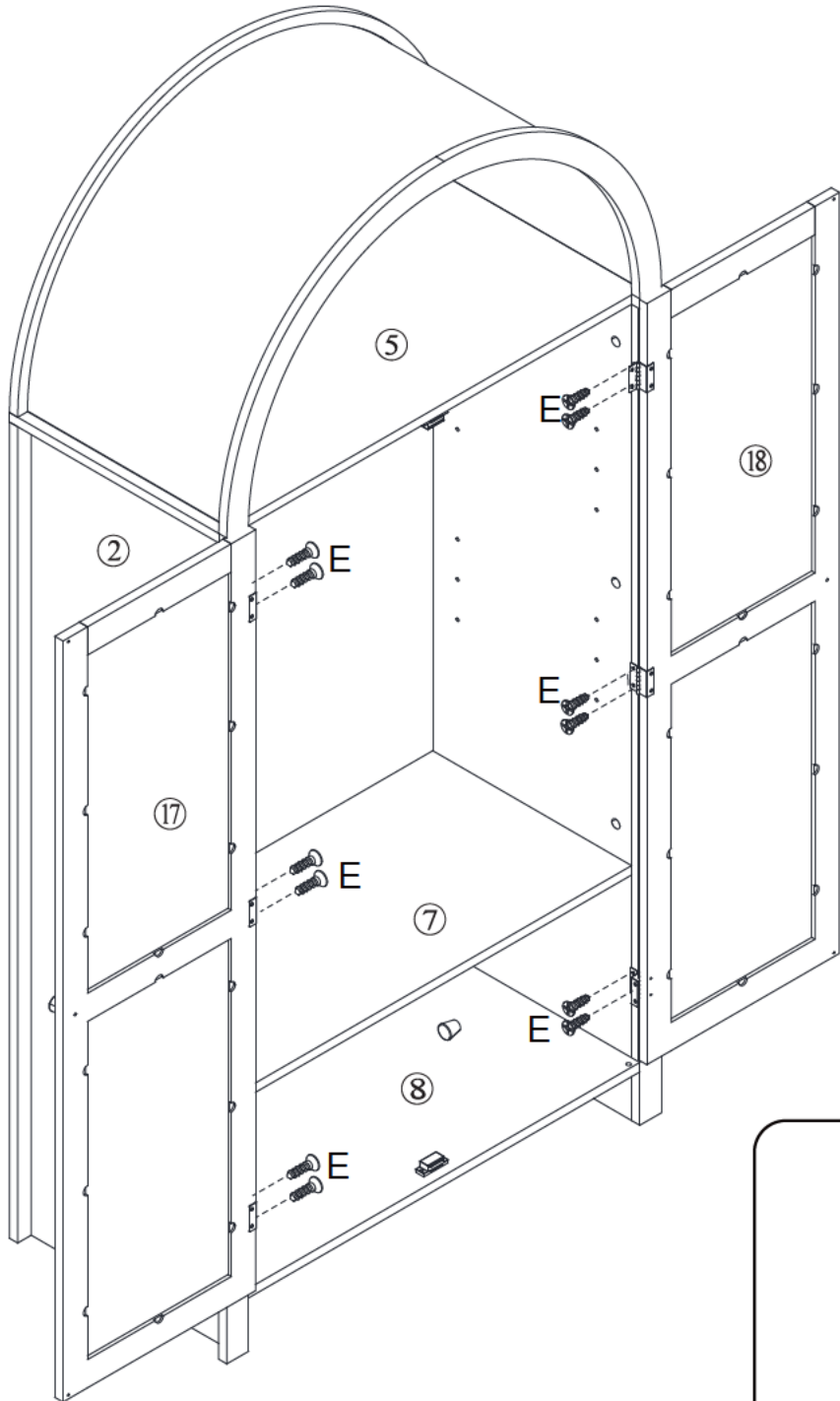


Step 16




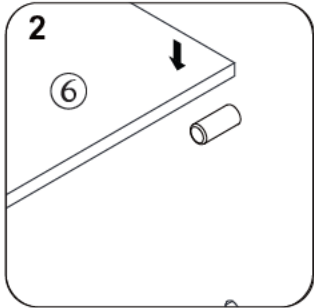
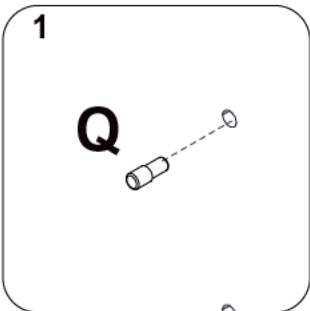
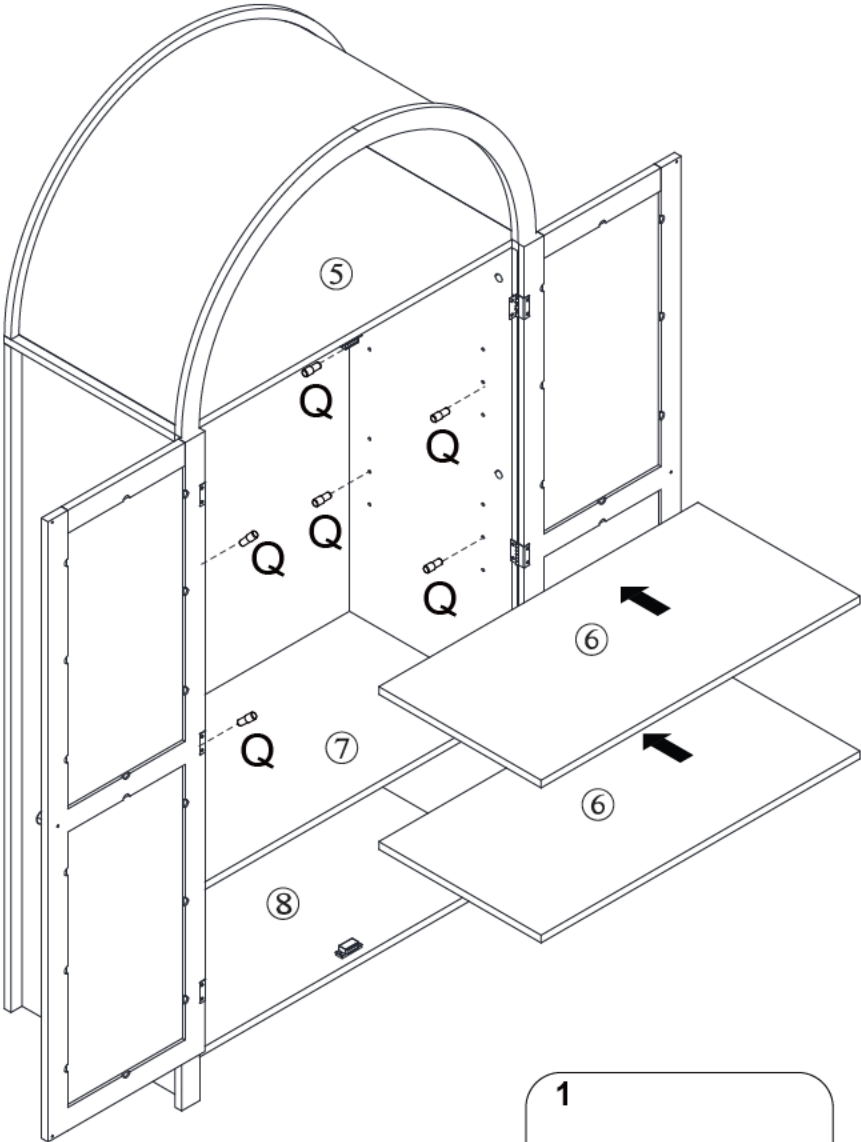
Step 17

E	x12
	

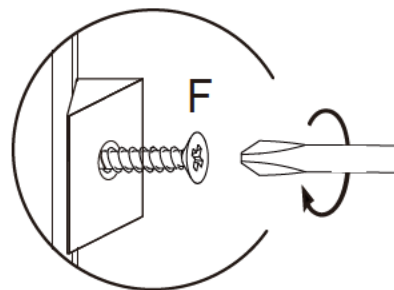
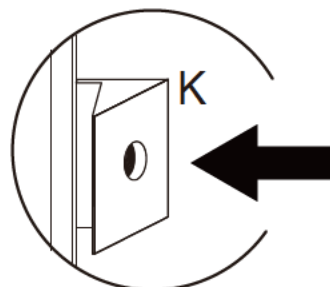
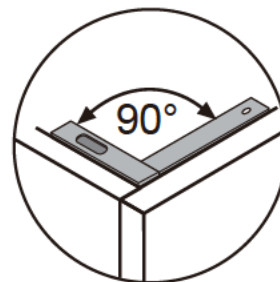
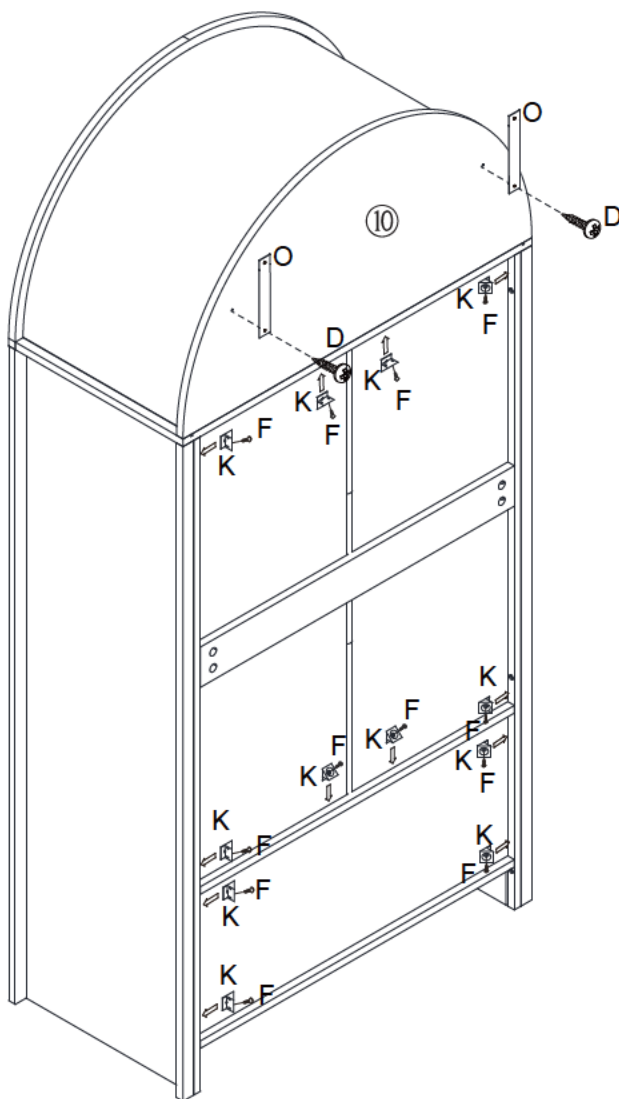
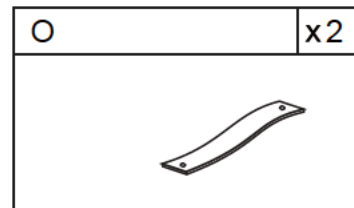
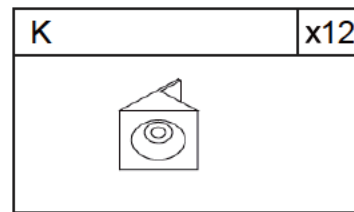
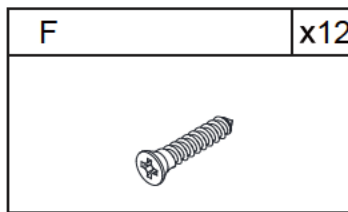
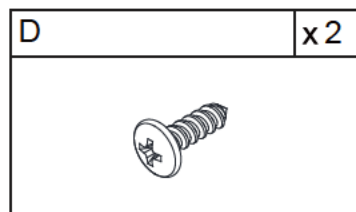


Step 18

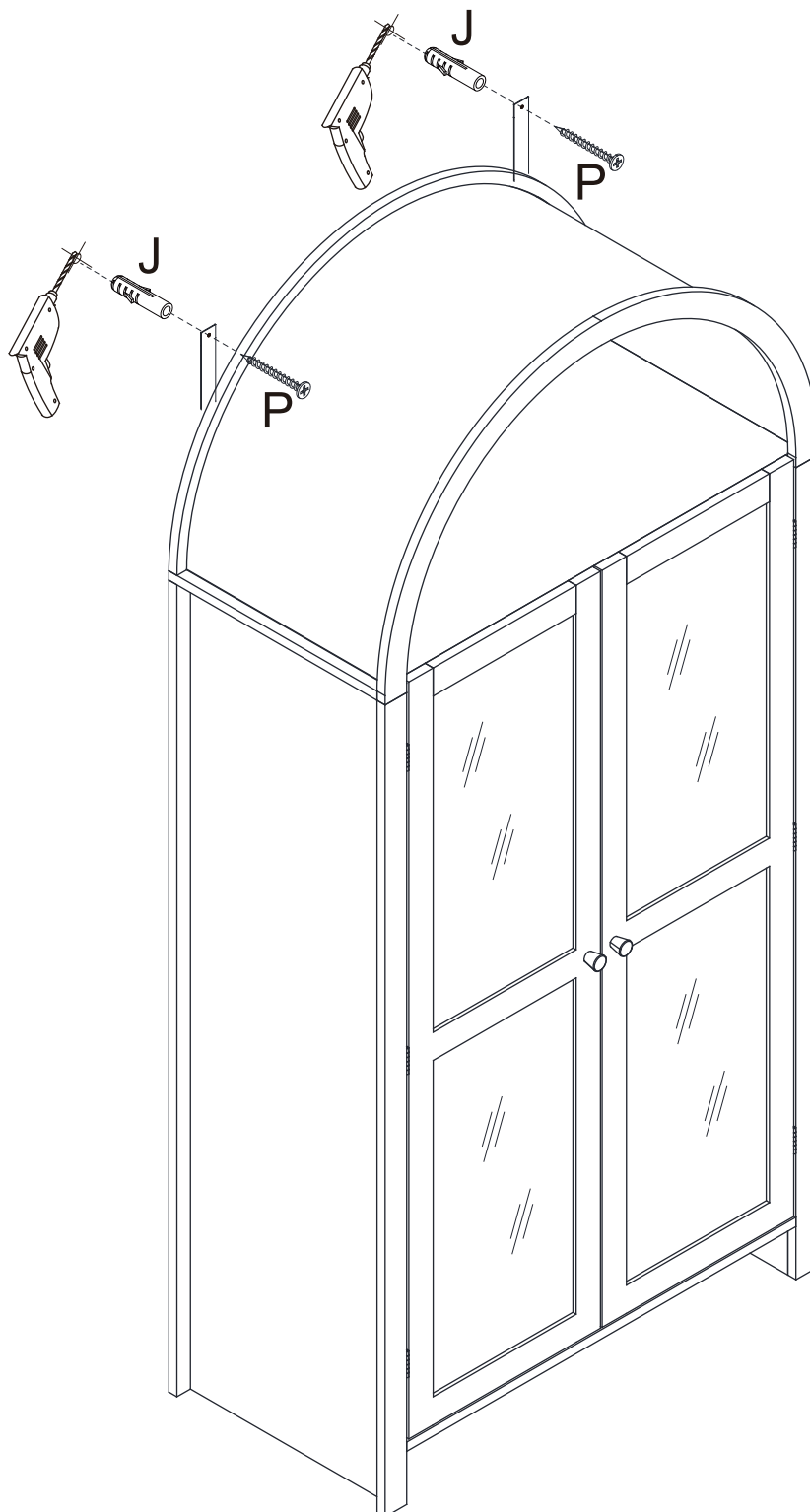
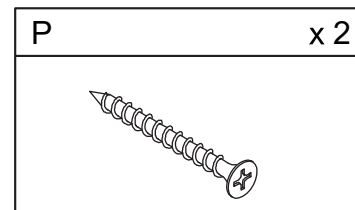
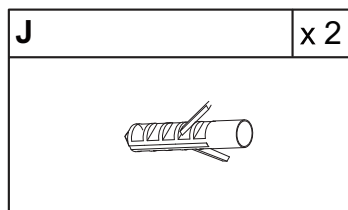
Q	x4
	



Step 19



Step 20



Proper Use

- DO NOT** use for commercial purposes
- DO NOT** use as a step stool or stand on table
- DO NOT** put hot serving liquid directly on the table top
- DO NOT** leave spilled liquid on the table top
- DO NOT** use table if damaged
- DO NOT** exceed weight limit
- DO NOT** make temporary repairs
- DO NOT** use outdoor