




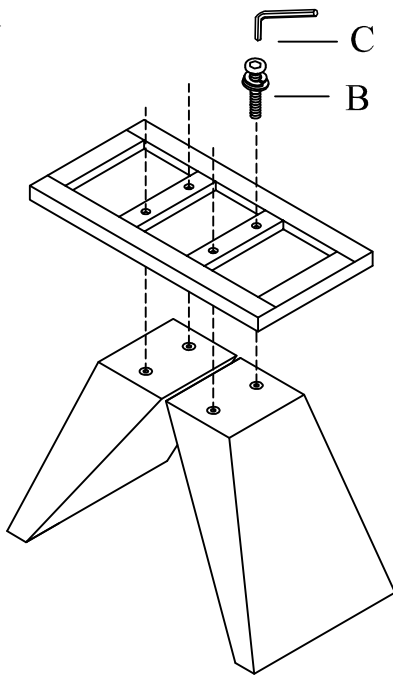
# ASSEMBLY INSTRUCTIONS

## DINING TABLE

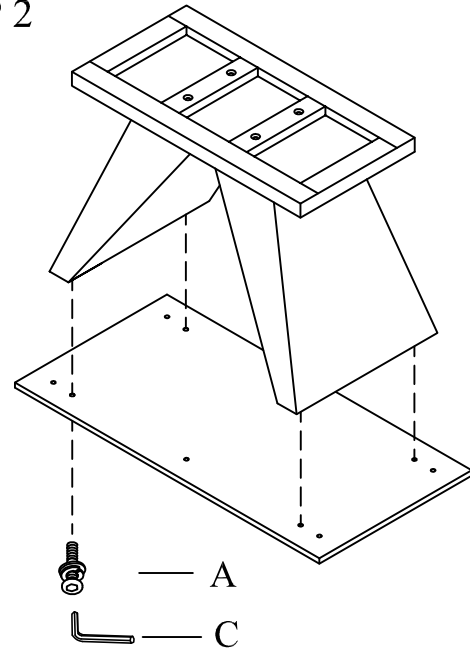
NOTE: DON'T TIGHTEN SCREWS UNTIL COMPLETELY ASSEMBLED !

Hardware List			
A		Ø5/16"*1-3/8"L	10
B		Ø5/16"*2-1/2"L	4
C		5mm	1

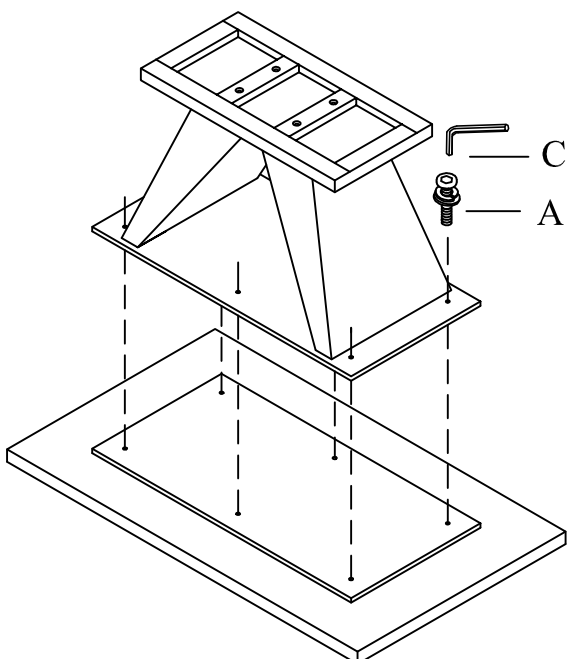
### STEP 1



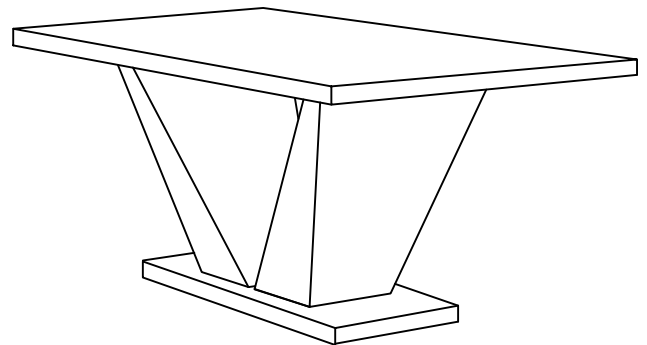
### STEP 2



### STEP 3



### STEP 4



Assembly completed