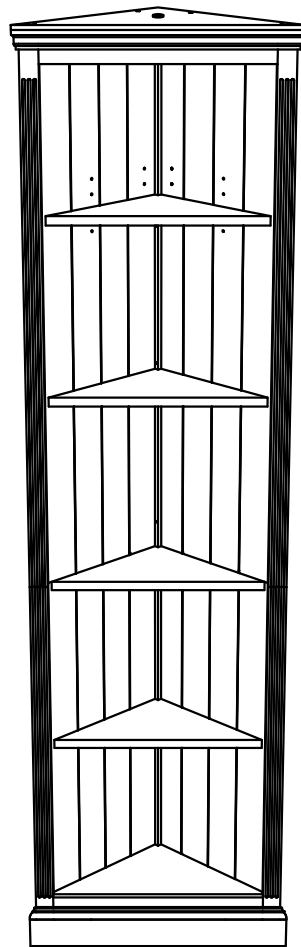
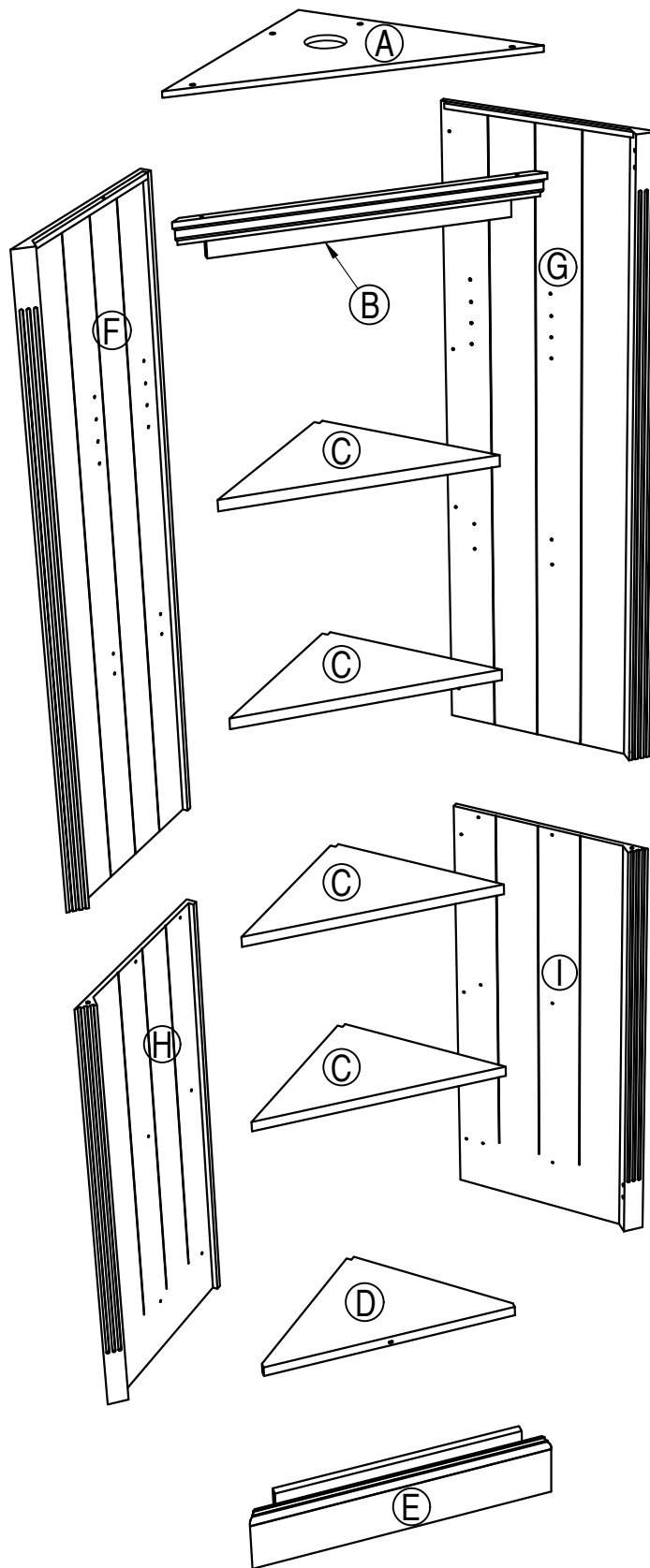


Assembly Instructions



Important - Please read these instructions fully before starting assembly

Components - Key Diagram

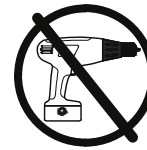


Safety and Care Advice

Important – Please read these instructions fully before starting assembly

- Check you have all the components and tools listed on the following pages.
- Remove all fittings from the plastic bags and separate them into their groups.
- Keep children and animals away from the work area, small parts could choke if swallowed.
- Make sure you have enough space to layout the parts before starting.

- During assembly do not stand or put weight on the product, this could cause damage.
- Assemble the item as close to its final position (in the same room) as possible.
- Assemble on a soft level surface to avoid damaging the unit or your floor.
- Parts of the assembly will be easier with 2 people.



- To reduce the likelihood of damaging your product please ensure that your power drill is set on a low torque setting.

• Only clean using a damp cloth and mild detergent, do not use bleach or abrasive cleaners.

• From time to time check that there are no loose screws on this unit.

• This product should not be discarded with household waste. Take to your local authority waste disposal centre.

• Assemble all parts and bolts loosely during assembly, only once the product is complete should you fully tighten the bolts

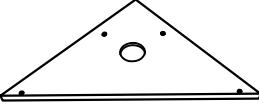


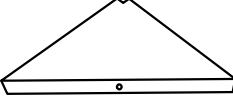


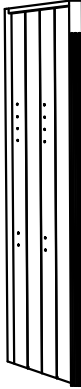
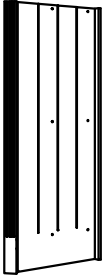
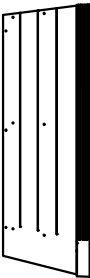
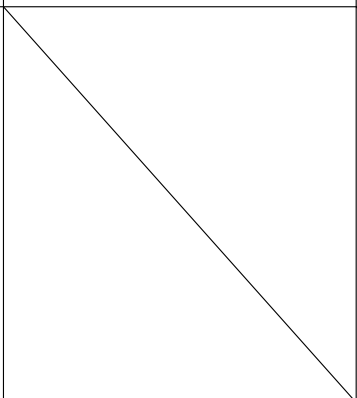
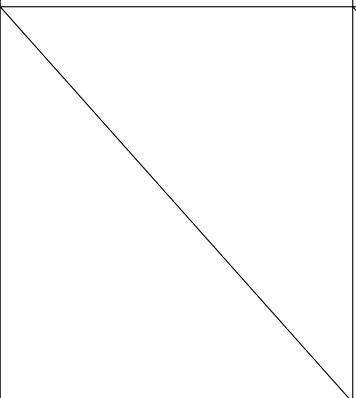
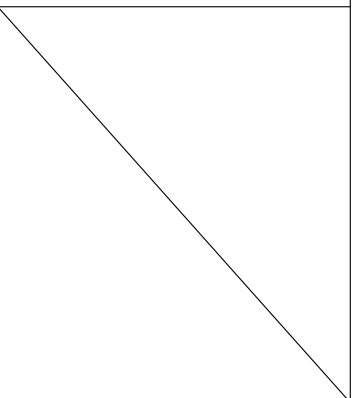
• Regularly check and ensure That all bolts and fittings are tightend properly.

WARNING In order to help prevent overturning – please follow these instructions


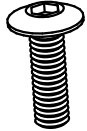
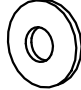
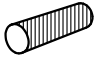
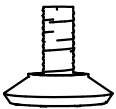



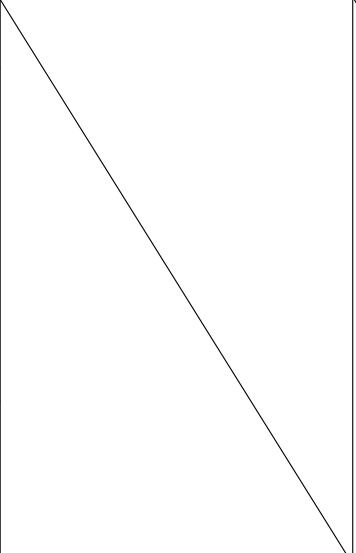
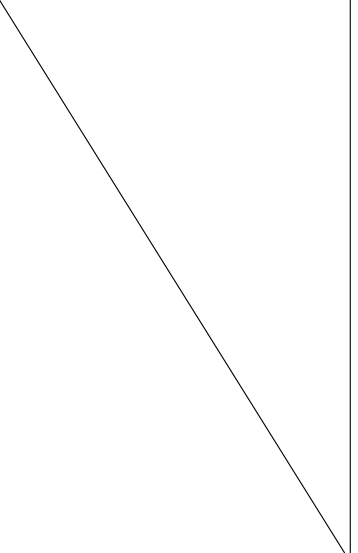
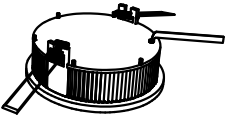
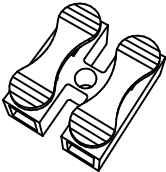
To help prevent product toppling over please follow the below steps:-

Use the anti tip stap or wall fixing method provided (if applicable)
Do not allow children to climb or hang on the furniture
Do not open more than one drawer at a time
Do not place heavy items in the top drawers
Do not place heavy items on top of the furniture, unless the furniture has been designed for this purpose

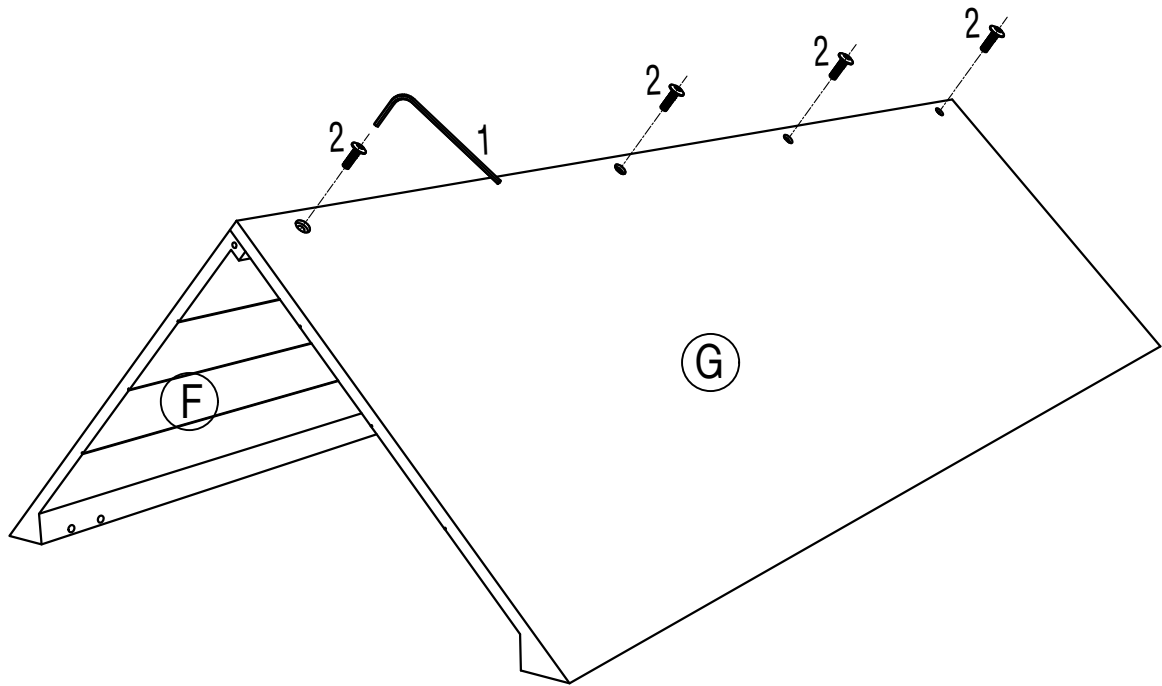
Part List

<p>(A)</p>	<p>(B)</p>	<p>(C)</p>	<p>(D)</p>
			
<p>Quantity: 1 pc</p>	<p>Quantity: 1 pc</p>	<p>Quantity: 4 pcs</p>	<p>Quantity: 1 pc</p>
<p>(E)</p>	<p>(F)</p>	<p>(G)</p>	<p>(H)</p>
			
<p>Quantity: 1 pc</p>	<p>Quantity: 1 pc</p>	<p>Quantity: 1 pc</p>	<p>Quantity: 1 pc</p>
<p>(I)</p>			
			
<p>Quantity: 1 pc</p>			

Hardware List

①	②	③	④
			
<p>Allen key Quantity: 1 pc</p>	<p>6x30mm Quantity: 32 pcs</p>	<p>6x16mm Quantity: 21 pcs</p>	<p>8x30mm Quantity: 10 pcs</p>
⑤	⑥	⑦	⑧
			
<p>15x20mm Quantity: 3 pcs</p>	<p>20x80mm Quantity: 2 pcs</p>	<p>3x15mm Quantity: 4 pcs</p>	<p>Screwdrivers Quantity: 1 pc</p>
⑨	⑩		
			
<p>Led light Quantity: 1 pc</p>	<p>Quantity: 2 pcs</p>		

STEP 1



①

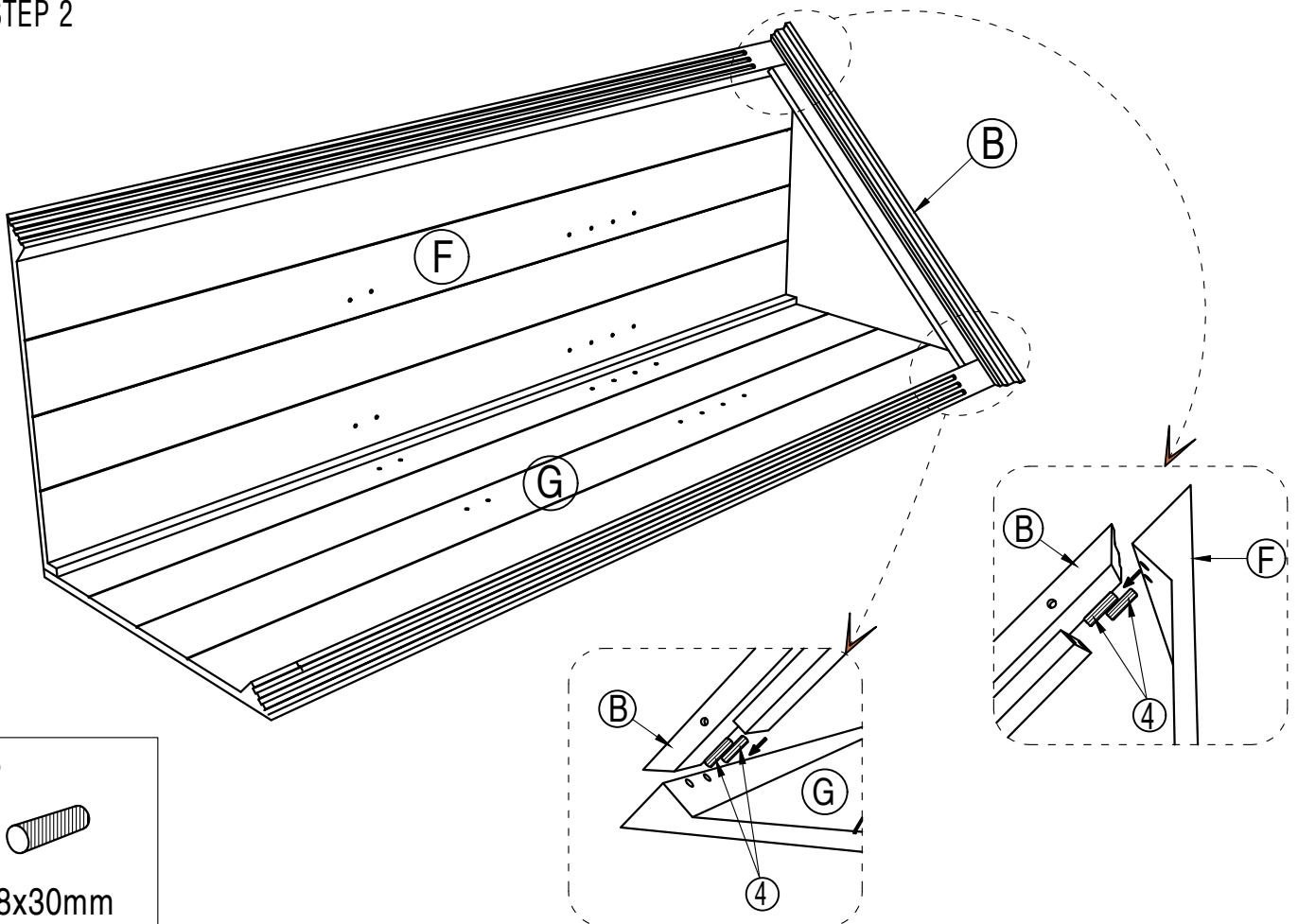


②



6x30mm
4 pcs

STEP 2

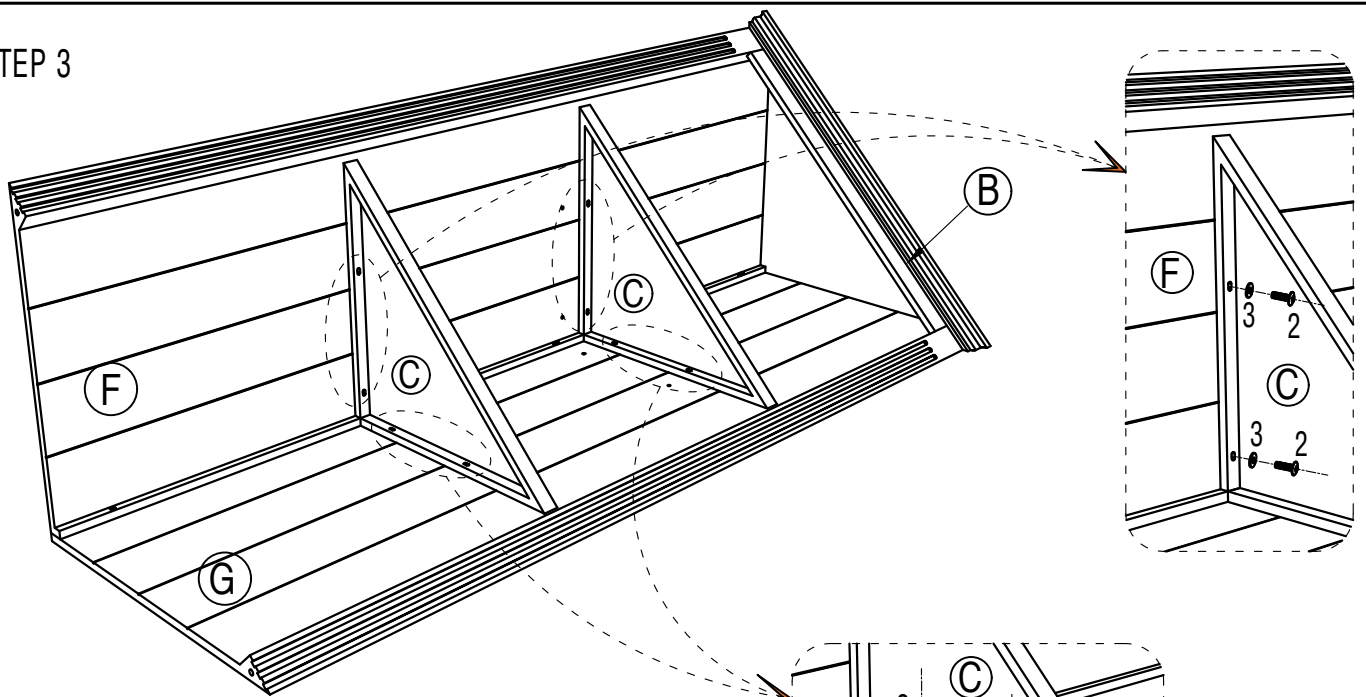


④



8x30mm
4 pcs

STEP 3



①



②

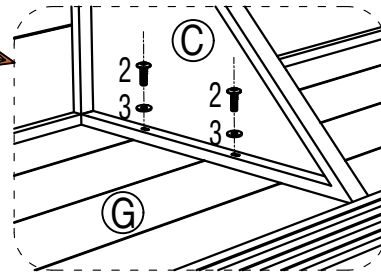


6x30mm
8 pcs

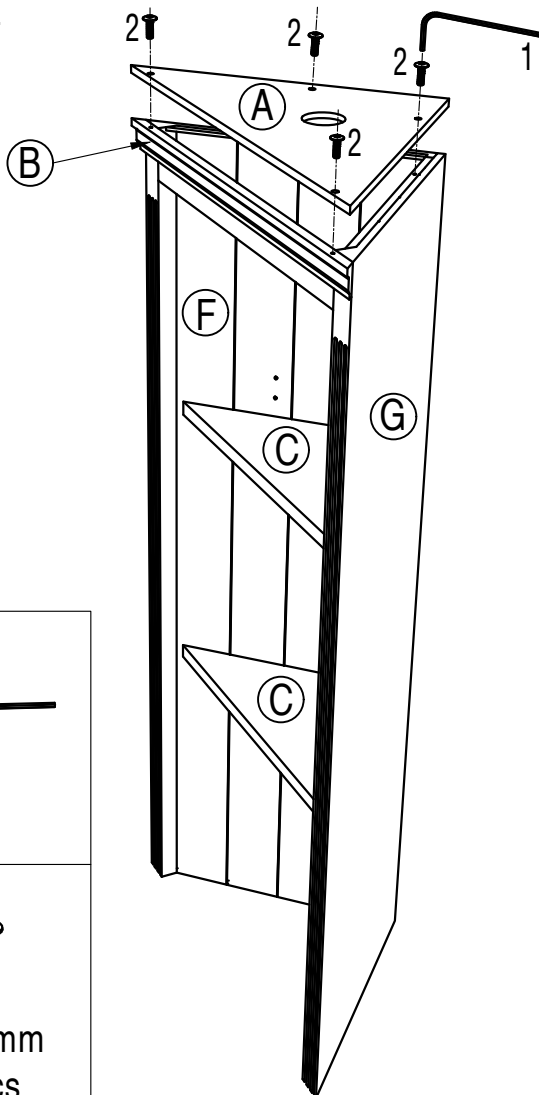
③



6x16mm
8 pcs



STEP 4



①

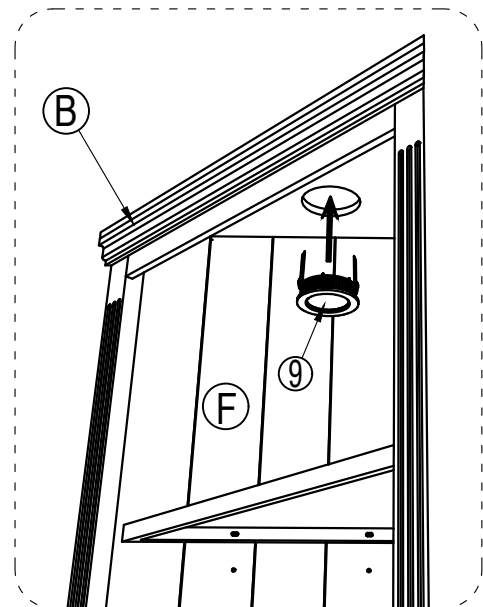


②



6x30mm
4 pcs

STEP 5

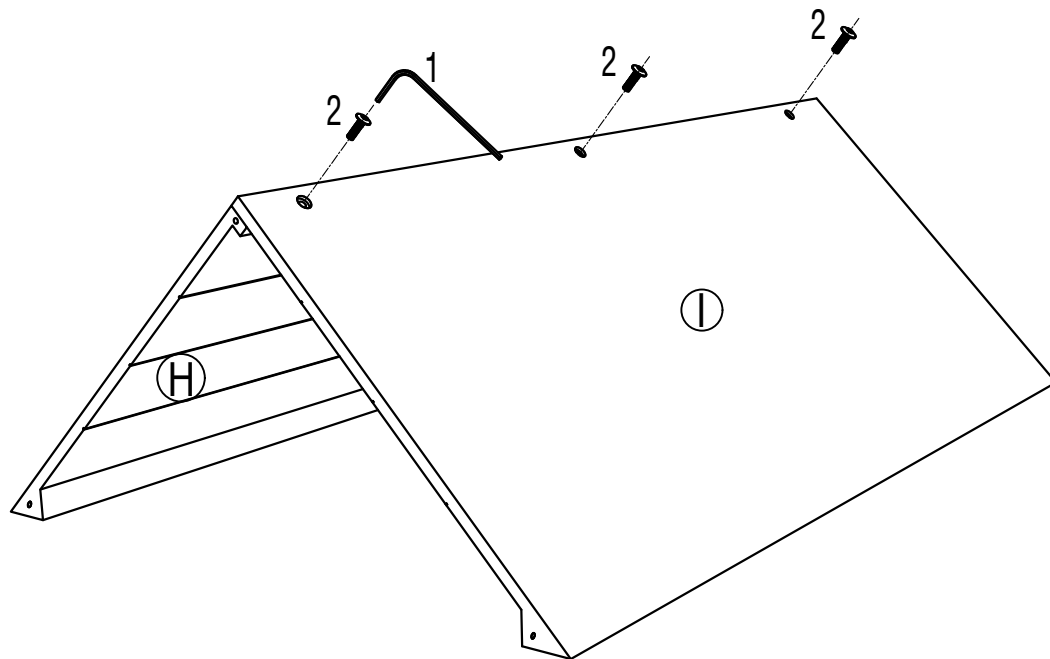


⑨



Led light
1 pc

STEP 6



①

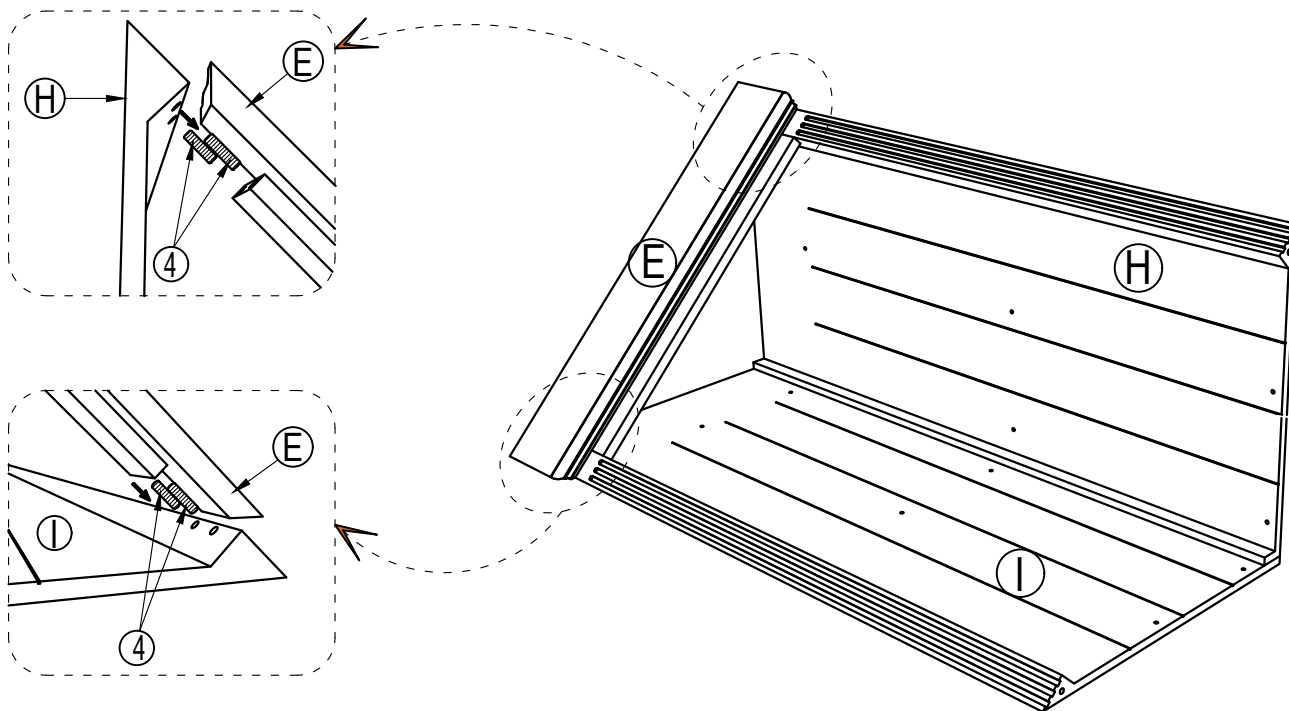


②



6x30mm
3 pcs

STEP 7

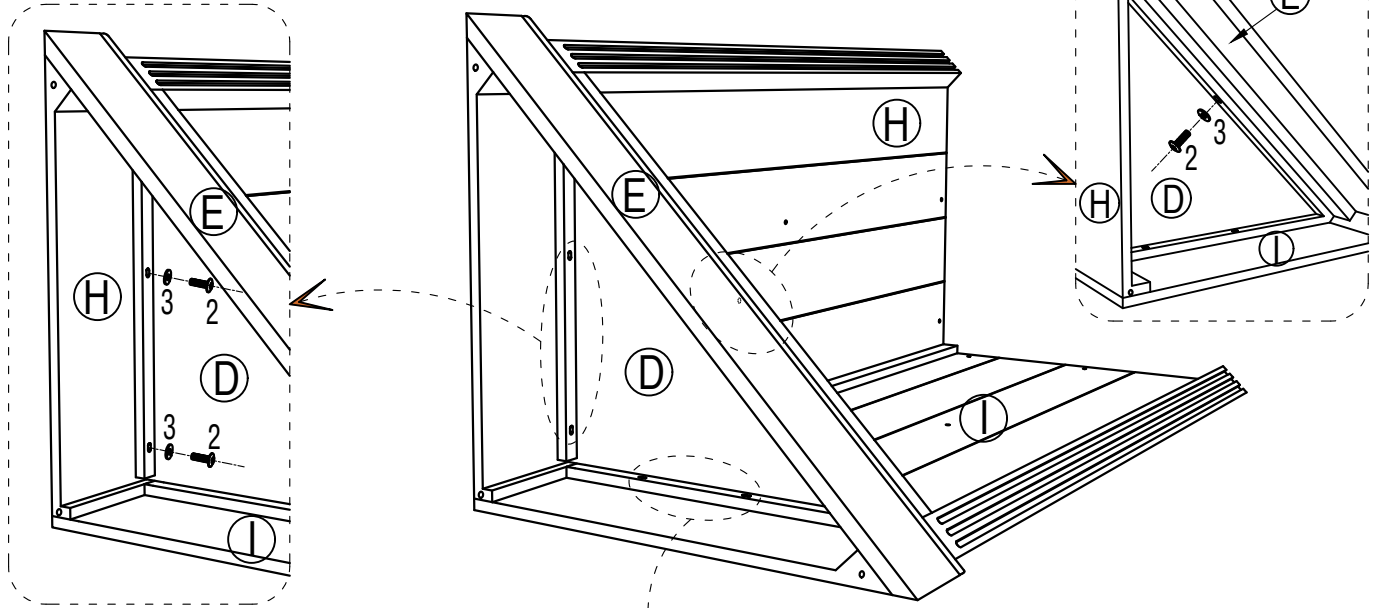





④

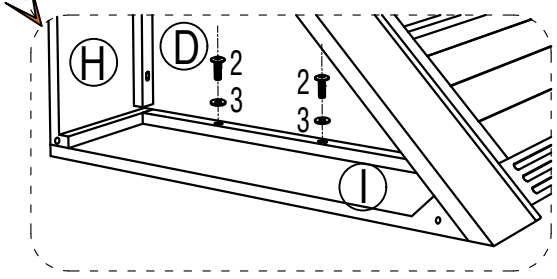


8x30mm
4 pcs

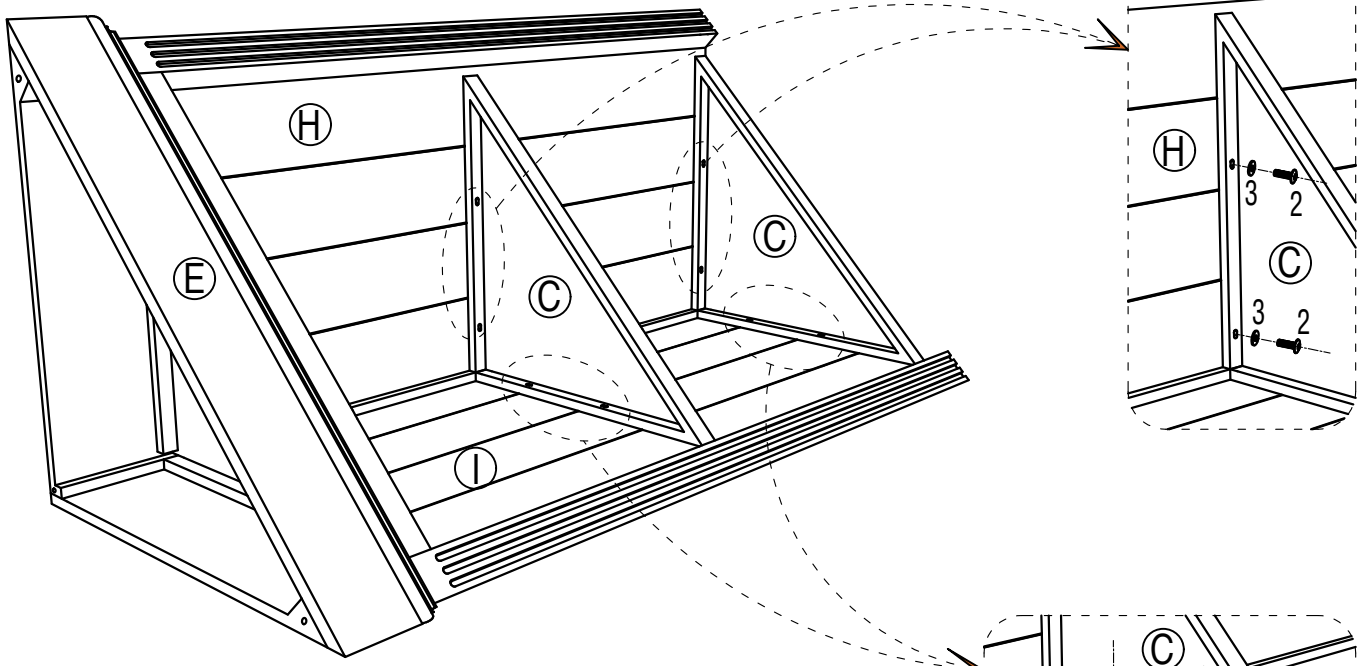
STEP 8






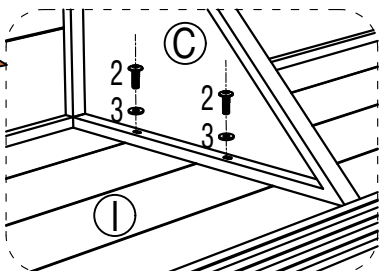
<p>①</p> 	<p>②</p>  <p>6x30mm 5 pcs</p>	<p>③</p>  <p>6x16mm 5 pcs</p>
--	--	--



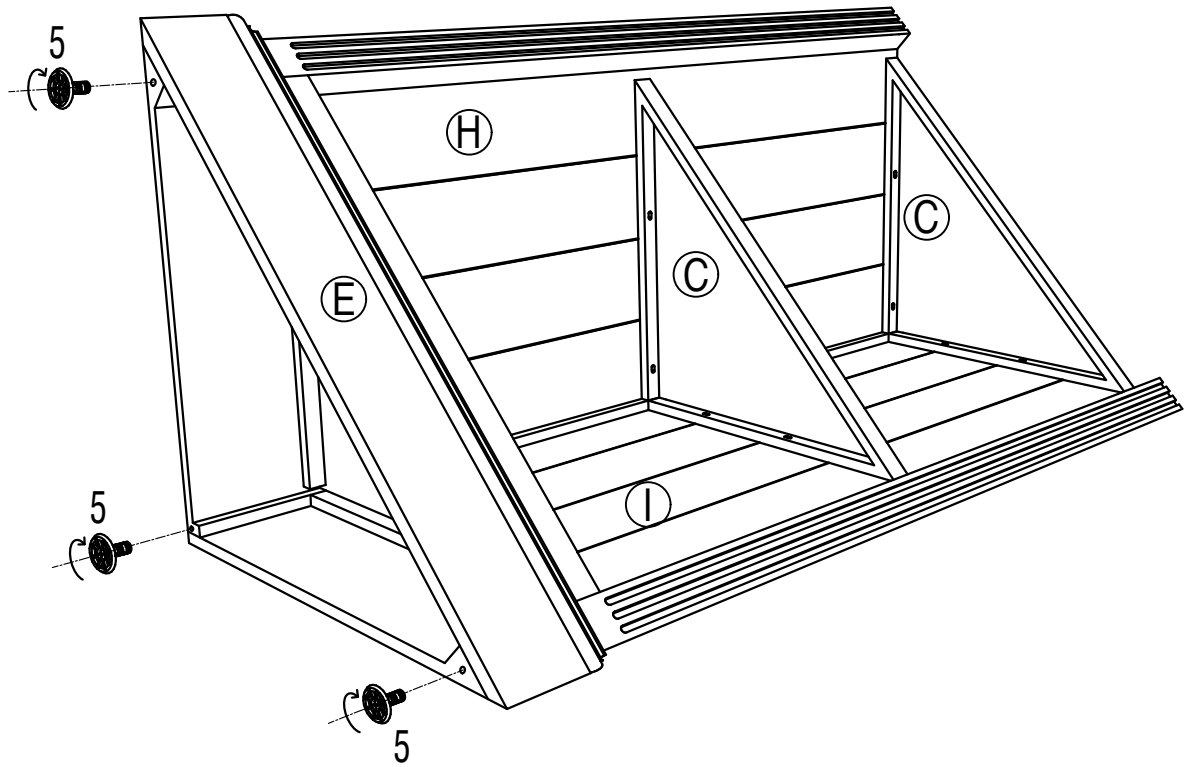
STEP 9



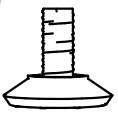
<p>①</p> 	<p>②</p>  <p>6x30mm 8 pcs</p>	<p>③</p>  <p>6x16mm 8 pcs</p>
---	--	--



STEP 10

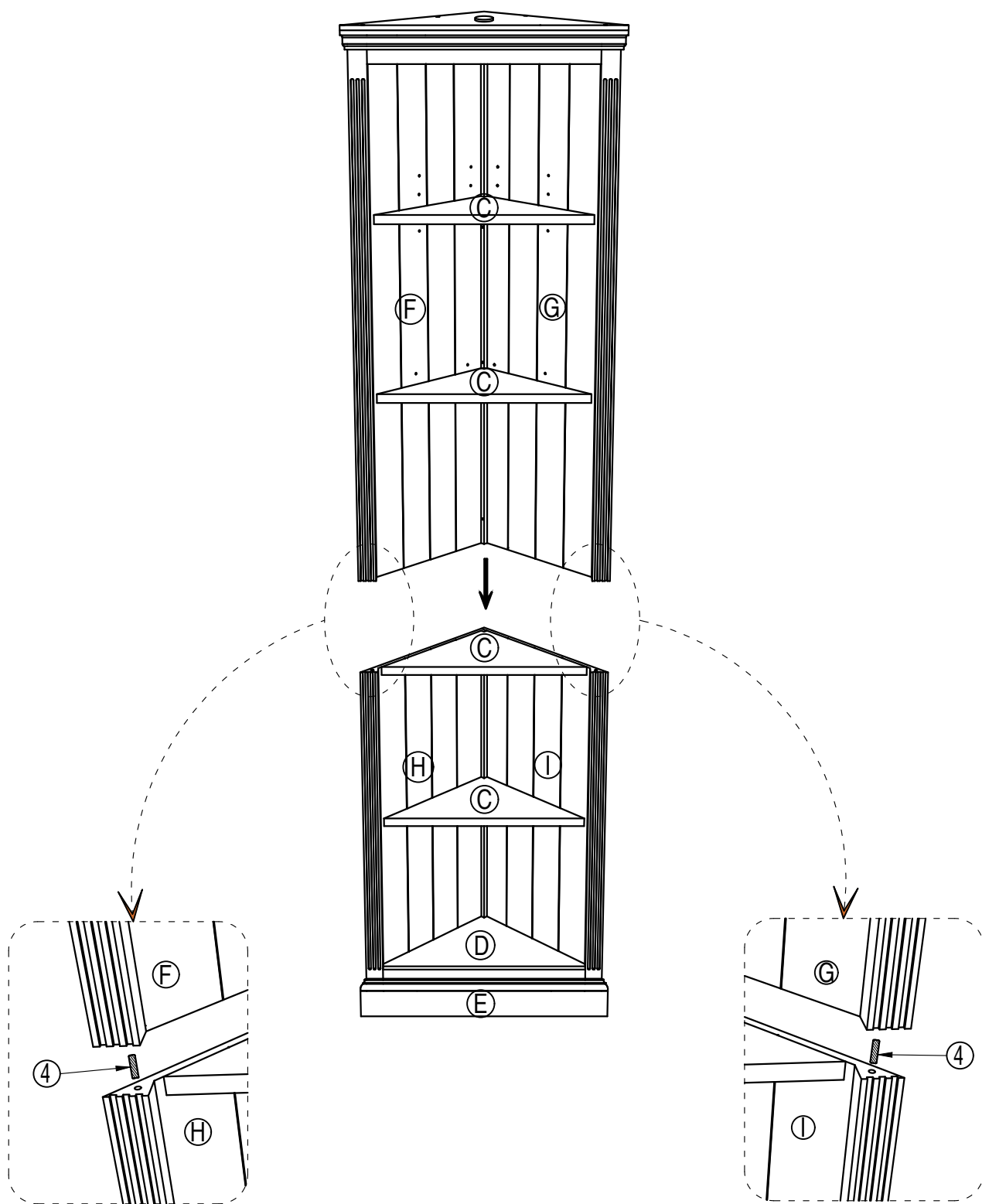


⑤

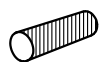


15x20mm
3 pcs

STEP 11

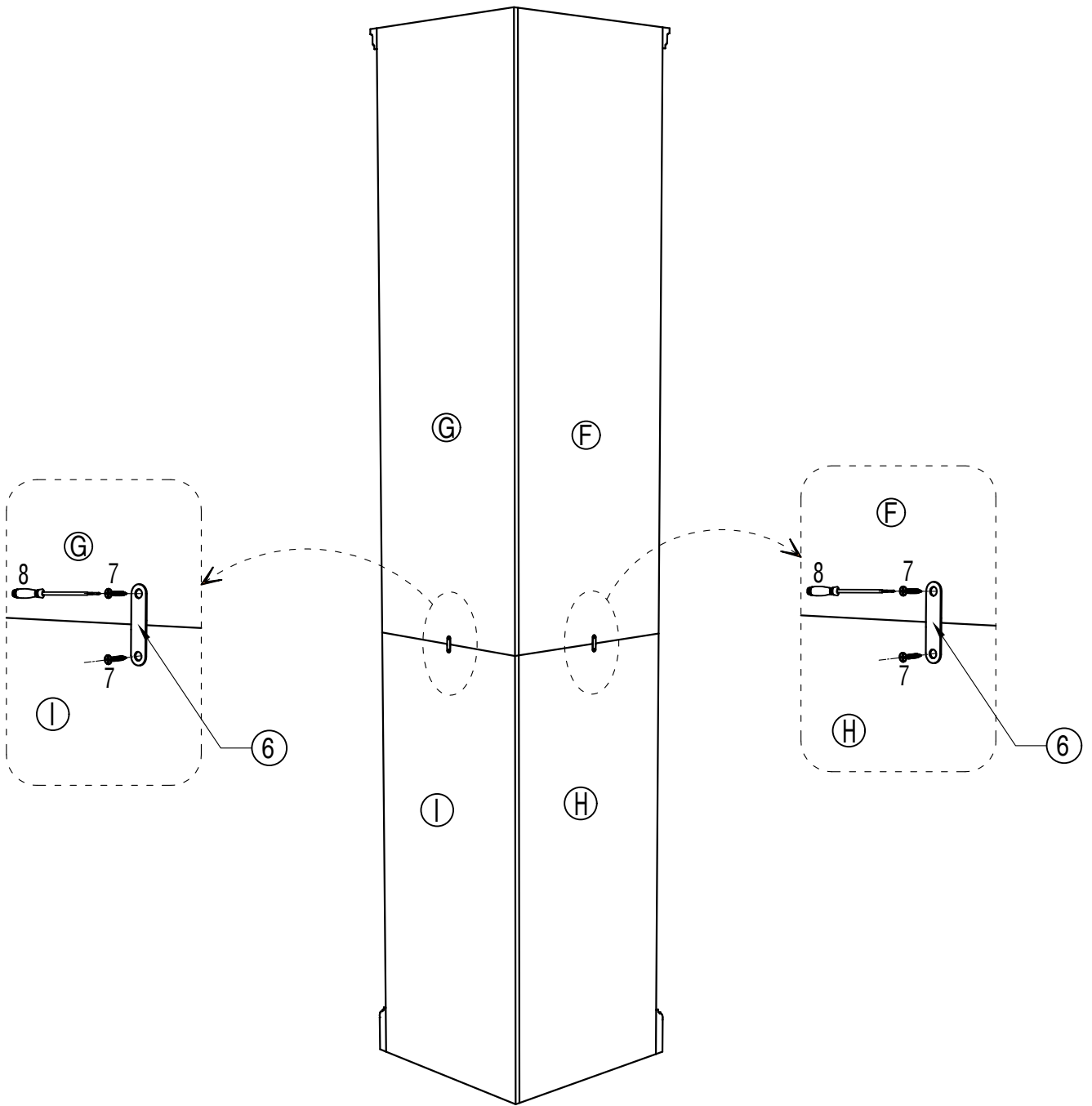





④



8x30mm
2 pcs

STEP 12



<p>⑥</p>  <p>20x80mm 2 pcs</p>	<p>⑦</p>  <p>3x15mm 4 pcs</p>	<p>⑧</p> 
---	--	--

STEP 13

