

# INSTRUCTION MANUAL



## CUSTOMER SERVICE

Questions, Missing parts, Assembly help?  
No need to return the product, we will gladly help and ship  
your replacement parts free of charge. Please contact us.

If you wish to return the product, please contact the retailer where the  
product was purchased.

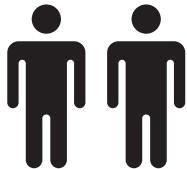
**Note:** Please retain all boxes until you are certain that your product isn't  
damaged and that you do not wish to return it. Disposal of boxes may  
prevent our ability to resolve your request.

# PRE-ASSEMBLY INFORMATION

**IMPORTANT** : Open the vacuum packaging last until you confirmed the frame suits your space, and the bottom seating part F suits your cushion expectation. Otherwise, please don't open them which will cause the item unreturnable.

## NOTICE

- Please keep this manual and hand it over when you transfer the product.
- Please read the following instructions carefully and use the product accordingly.
- This summary may not include every detail of all variations and considered steps. Please contact us when further information and help are needed.
- Please do not exceed the weight limitations of this item.
- Do not stand on or use any part of this item as a step ladder.
- If any parts are missing, broken, damaged, or worn, stop using this item until repairs are made and/or factory replacement parts are installed.
- Please assemble the item in a spacious room and do not place the unwrapped product directly on the ground to avoid damage.
- Do not use this item in a way inconsistent with the manufacturer' s instructions as this could void the product warranty.
- Periodically inspect screw tightness while the product is in use. If necessary, retighten to ensure structural integrity.
- To avoid the potential dangers of suffocation, please keep all parts and packaging (films, plastic bags and foam,etc.) away from children and pets.
- Do not use or store this item in the proximity of open flame or flammable/combustible chemicals.
- Do not expose product to direct sunlight exposure or rain,and do not put it in a humid place. Failure to do so may accelerate the distortion or discoloration.



TWO PERSON ASSEMBLY



UP TO 30 MINUTES  
FOR ASSEMBLY

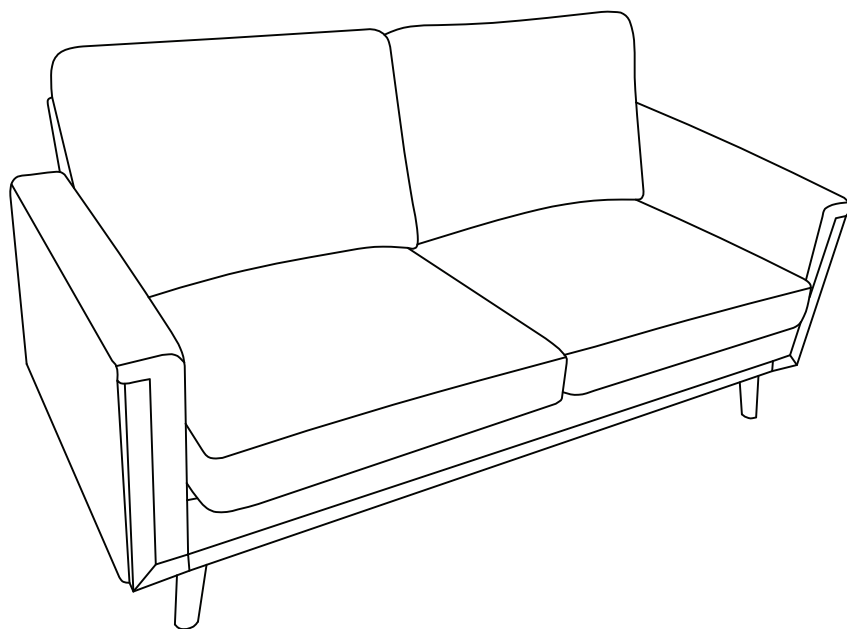
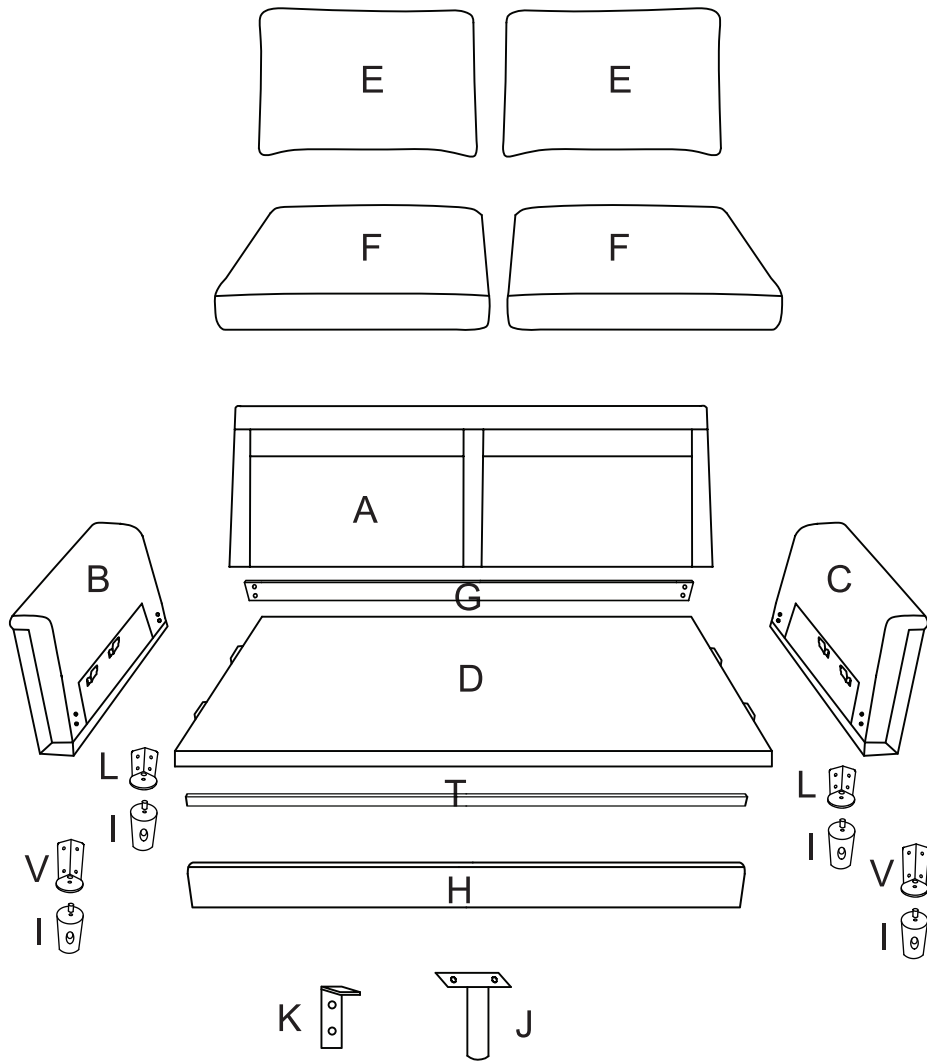


WEIGHT LIMITATION  
330LBS PER SEAT

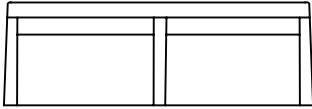
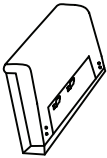


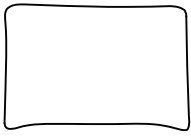
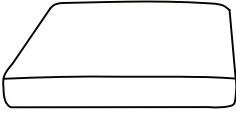

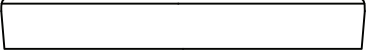

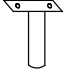
## IMPORTANT

- 1.We recommend open the vacuum sealed cushions and pillows after the sofa frame is installed.
- 2.Remember to remove the parts packed under the bottom of seat frame.
- 3.Do not tighten bolts / screws completely until all bolts / screws are lined up and inserted into holes.
- 4.Do not over tighten screws and bolts to avoid stripping.
- 5.Please use hand tools to assemble this product. If you're using power tools, remember to set the tool to low torque to avoid damage.

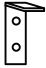





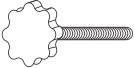
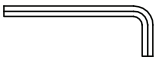
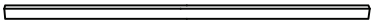
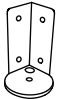
# COMPONENTS



# COMPONENTS

NO	PARTS	QTY	DESCRIPTION
A		1 PC	Back Frame
B		1 PC	Left Armrest
C		1 PC	Right Armrest
D		1 PC	Seat
E		2 PCS	Back Cushion
F		2 PCS	Seat Cushion
G		1 PC	Back Panel
H		1 PC	Front Panel
I		4 PCS	Leg
J		1 PC	Middle Leg

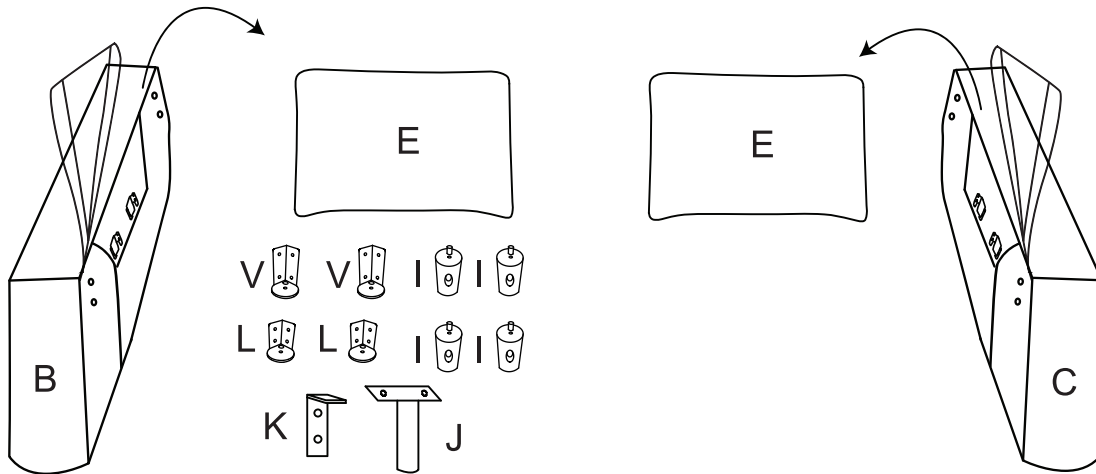
# COMPONENTS

NO	PARTS	QTY	DESCRIPTION
K		1 PC	Front Panel & Wood Strip Connector
L		2 PCS	Back Panel Connector
M		4 PCS+1	Long Screw M8*70mm
N		4 PCS+1	Washer
O		5 PCS+1	Short Screw M6*20mm
P		15 PCS+1	Middle Screw M6*30mm
Q		4 PCS+1	Screw
R		1 PC	Allen Key M6
T		1 PC	Wood Strip
V		2 PCS	Front Panel Connector

# ASSEMBLY STEPS

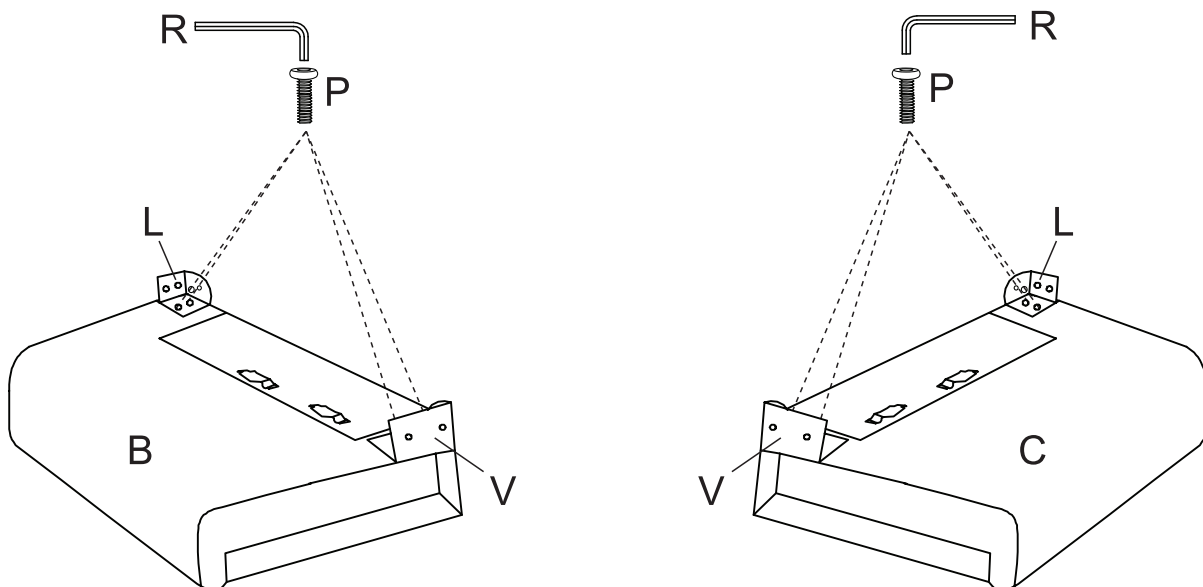
## STEP 1

Open the velcro on the Armrests (B&C) and remove the Back Cushion (E), Front Panel Connector (V), Back Panel Connector (L), Front Panel & Wood Strip Connector (K), Leg (I) and Middle Leg (J) contained inside



## STEP 2

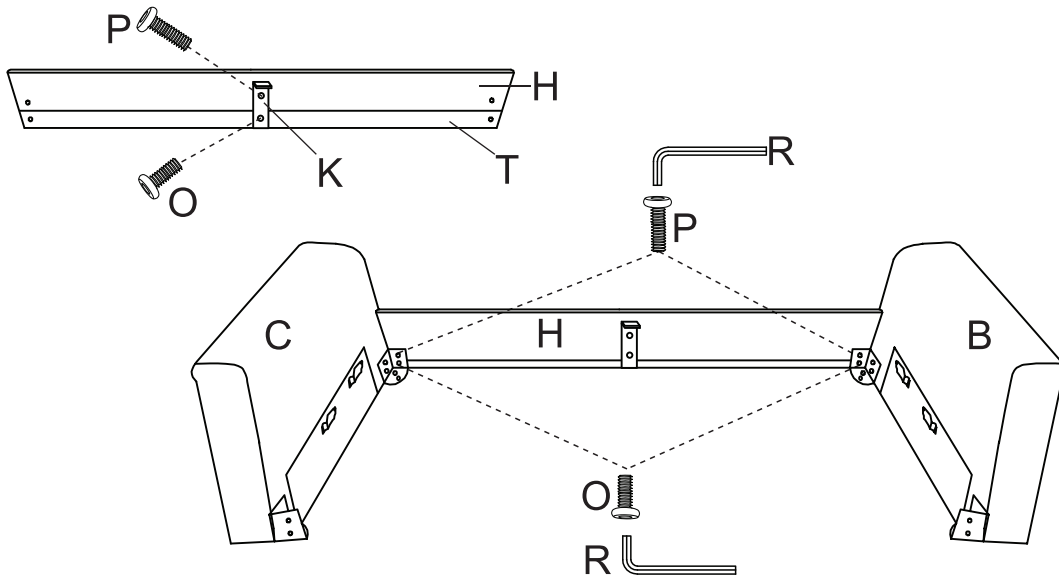
Attach the Front Panel Connector (V) and Back Panel Connector (L) to Armrests (B&C) using Middle Screw (p)



# ASSEMBLY STEPS

## STEP 3

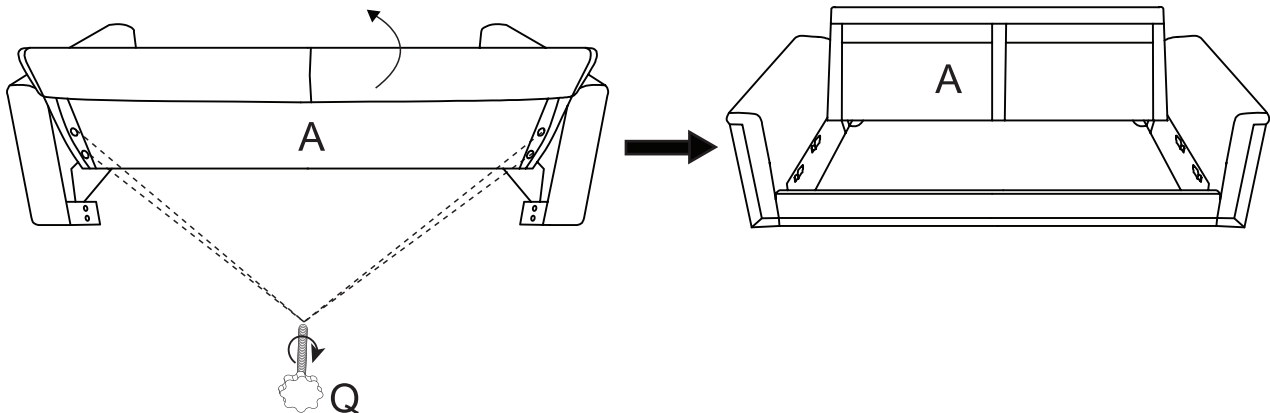
1. Attach the Front Panel (H) & Wood Strip (T) by Connector (K) and tighten with Middle Screw (p)
2. Attach the previously connected front panel to Armrests (B&C) using Middle Screw (p)



## STEP 4

Attach the Back Frame (A) to Armrests (B&C) using Screw (Q)

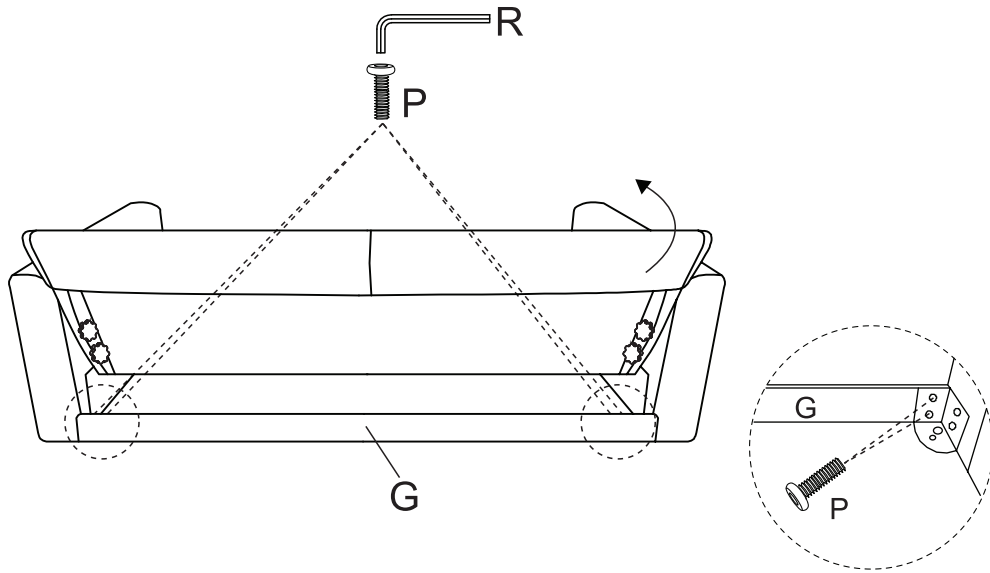
Note: Tighten the screws about 70% first. Once all four holes are aligned, then fully tighten them



# ASSEMBLY STEPS

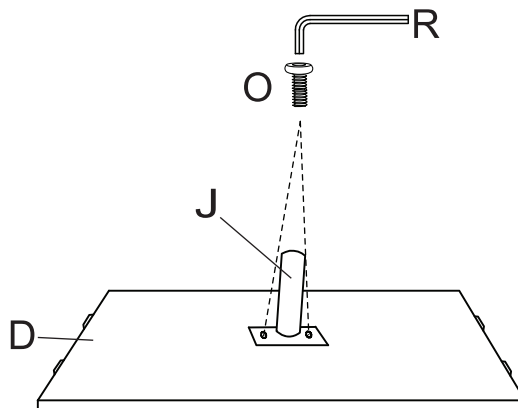
## STEP 5

Attach the Back Panel (G) to Armrests (B&C) using Middle Screw (p)



## STEP 6

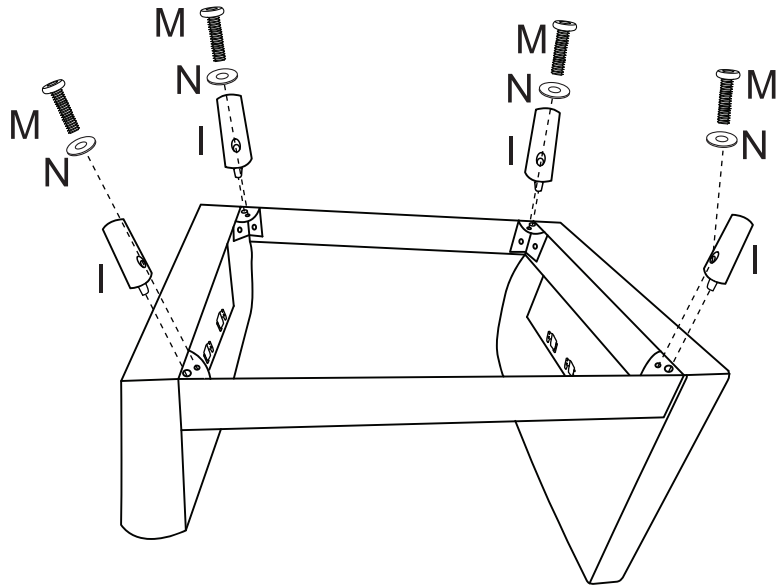
Attach Middle Leg (J) to the center of Seat (D) using Short Screws (O)



# ASSEMBLY STEPS

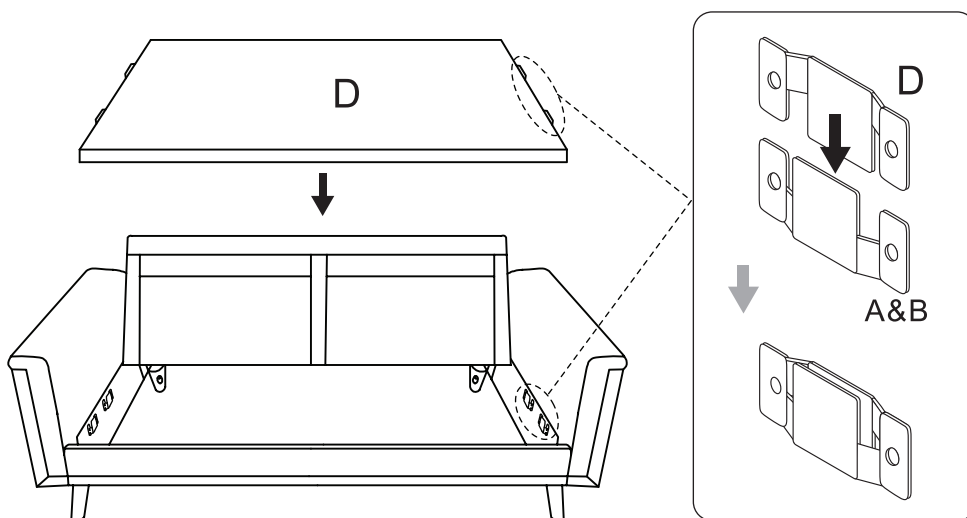
## STEP 7

Attach Four Legs (I) to Connector (L & V) using Washers (N) & Long Screws (M)



## STEP 8

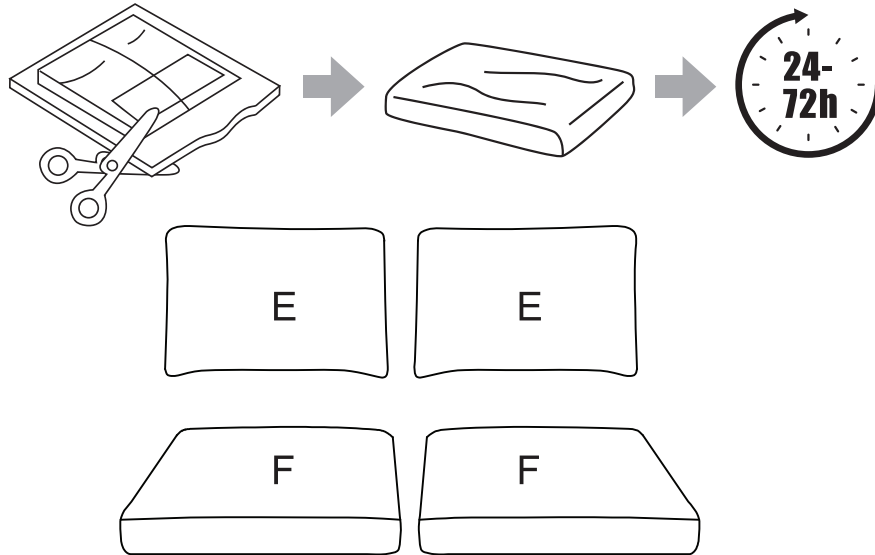
Insert Seat (D) to the sofa frame



# ASSEMBLY STEPS

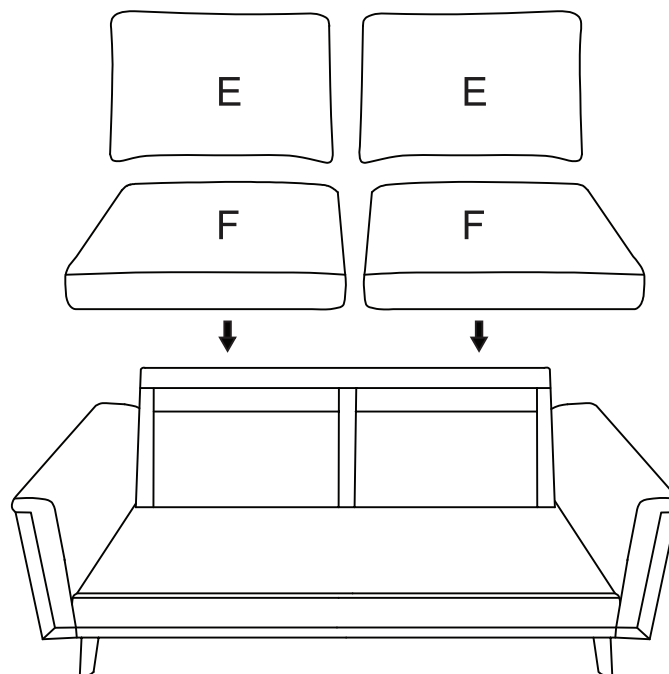
## STEP 9

If you have confirmed that the sofa frame fits your space and you are satisfied with the product, please open the Back Cushion and Seat Cushion (E&F)



## STEP 10

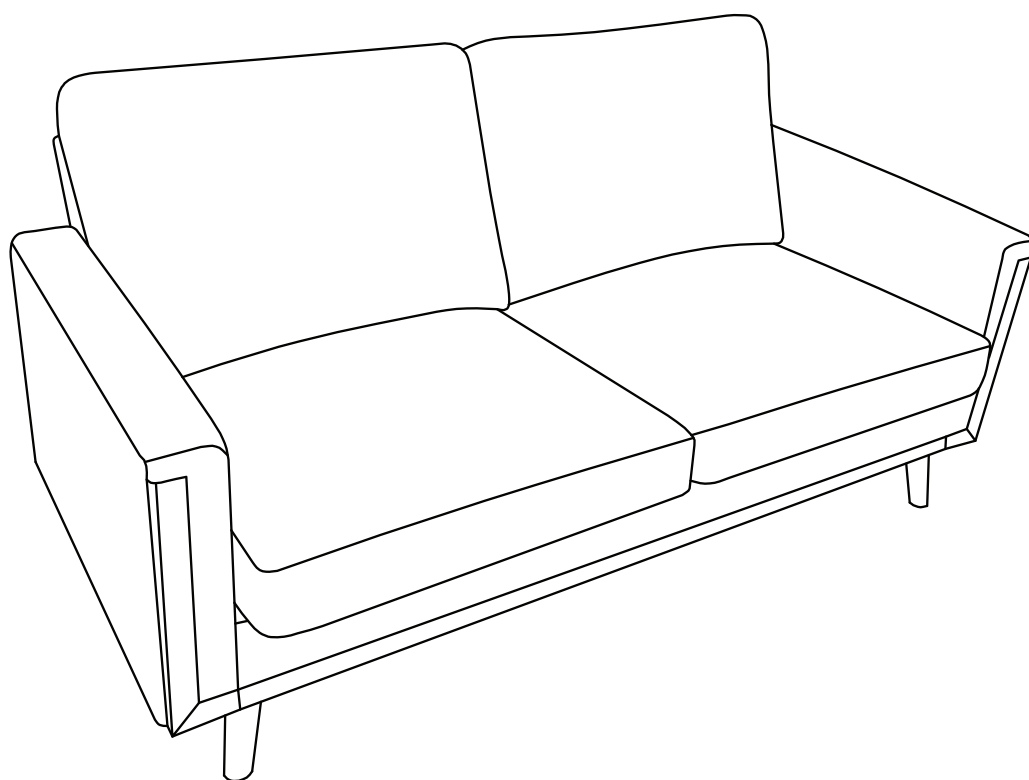
Place the seat/back cushion on the sofa as shown in the picture



# ASSEMBLY STEPS

## STEP 11

Well done!



# RETURN POLICY

Thank you for purchasing a product.

We do our best to ensure your furniture arrives without any problems, but occasionally mistakes happen-as humans we are imperfect beings. In the event that a part is damaged or missing, we will be more than happy to provide you with replacement part(s) for free. Please contact us

.All your concerns will be taken good care of by our CUSTOMER SERVICE TEAM.

All items can be returned for any reason within 60 days of the receipt and will receive a refund as long as the item is returned in its original product packaging and all accessories from its original shipment are included. Once a returned item has been received by us, refunds or replacements will be processed within 5 business days.

All returns must be shipped back in original boxes and shipped back to Return Center at the customer's expense. Pictures may be required for some returns to ensure an item is not damaged prior to its return. If the reason for return is a result of an error by us then we will provide a pre-paid shipping label via email. New boxes for return will not be provided by us, and need to use the original shipping boxes. Items received without original boxes may not be accepted or may increase your return processing time.



## WARNING

Manufacturer and seller expressly disclaim any and all liability for personal injury, property damage or loss, whether direct, indirect, or incidental, resulting from the incorrect attachment, improper use, inadequate maintenance, unapproved modification, or neglect of this product.