

PRODUCT SPECIFICATIONS

Elkay Commercial Service/ Utility Single Hole Wall Mount Faucet with Hose End Chrome. Faucet has a flow rate of 2.5 GPM, and is made of Chrome-plated Brass material, with a Brass Stem Assembly valve. Faucet requires 1 faucet holes.

| | |
|------------------------------|-----------------------|
| Mounting Type: | Wall Mount |
| Finish: | Chrome (CR) |
| Handle Type: | Cross Handle |
| Spout Reach: | 3-3/16" |
| Spout Height: | 4" |
| Hole Drillings: | 1 |
| Material: | Chrome-plated Brass |
| Valve Type: | Brass Stem Assembly |
| Valve Connection: | 1/2" NPT Female Inlet |
| Flow Rate: | 2.5 GPM |
| Spout Swing Rotation: | 0° |
| Spout Type: | Fixed Spout |

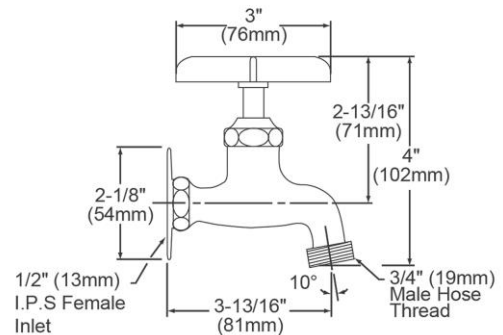


Chrome
(CR)

AMERICAN PRIDE. A LIFETIME TRADITION.
Like your family, the Elkay family has values and traditions that endure. For almost a century, Elkay has been a family-owned and operated company, providing thousands of jobs that support our families and communities.

Product Compliance: ASME A112.18.1/CSA B125.1
NSF 372 (lead free)
NSF 61

[Clean and Care Manual \(PDF\)](#)
[Warranty \(PDF\)](#)



Model LK69CH

PART: _____ QTY: _____

PROJECT: _____

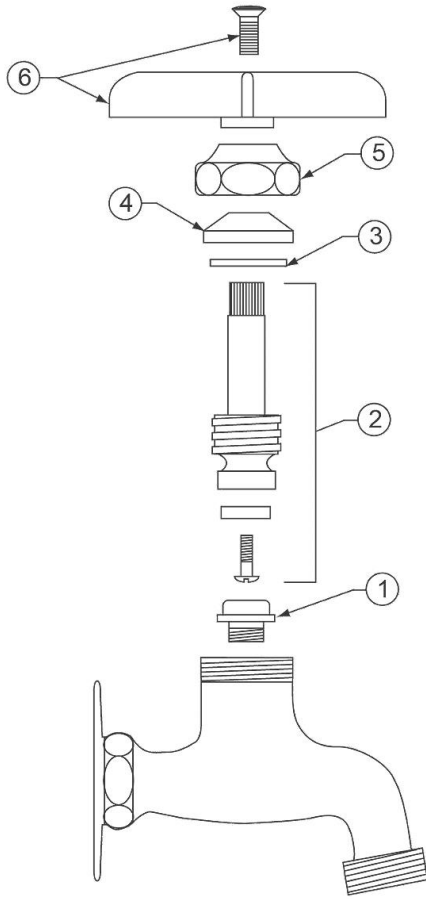
CONTACT: _____

DATE: _____

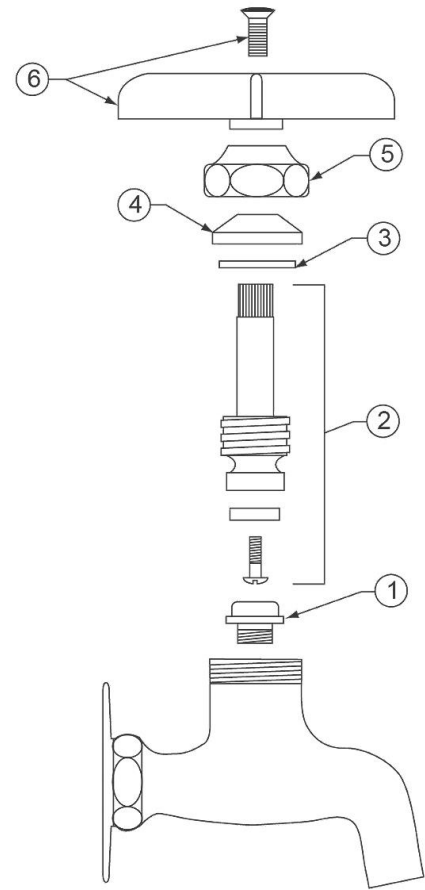
NOTES: _____

APPROVAL: _____

In keeping with our policy of continuing product improvement, Elkay reserves the right to change product specifications without notice. Please visit elkay.com for the most current version of Elkay product specification sheets. This specification describes an Elkay product with design, quality, and functional benefits to the user. When making a comparison of other producers' offerings, be certain these features are not overlooked.



LK69CH



LK69CP

| Item No. | No. Required | Part No. | Description |
|----------|--------------|----------|------------------------|
| 1 | 1 | 72001862 | Seat Brass |
| 2 | 1 | 72001865 | Brass Stem Assembly |
| 3 | 1 | 72001866 | Washer Brass |
| 4 | 1 | 72001867 | Packing |
| 5 | 1 | 72001868 | Cap Nut Brass |
| 6 | 1 | 72001869 | Handle Zinc with Screw |

In keeping with our policy of continuing product improvement, Elkay reserves the right to change product specifications without notice. Please visit elkay.com for the most current version of Elkay product specification sheets. This specification describes an Elkay product with design, quality, and functional benefits to the user. When making a comparison of other producers' offerings, be certain these features are not overlooked.