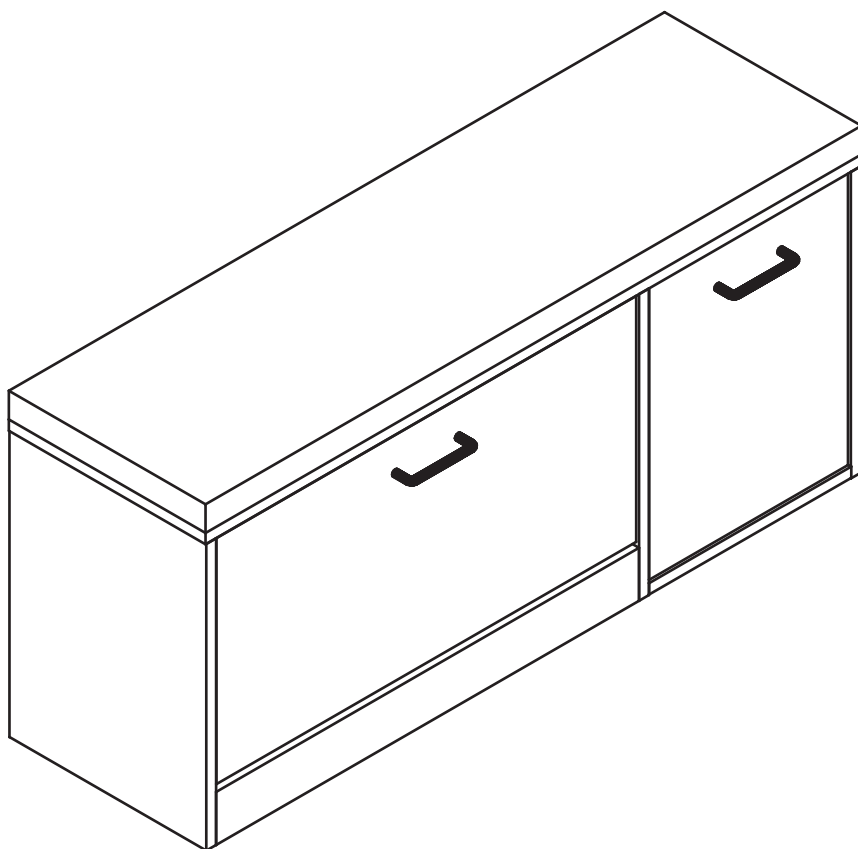


INSTRUCTION MANUAL



Before assembling, read all the instructions.
If you have any question, Please contact us.

SHOE BENCH

Dear customer,

Thank you for choosing our products. We were founded in 2012, a company dedicated to the production of high-quality furniture and household products. In the process of using the products, you can contact us by e-mail if you have any suggestions or comments during using the products. We will try our best to meet your needs and provide you with better products and better services.

wish you a happy life!

Sehr geehrter Kunde,

Vielen Dank, dass Sie sich für unsere Produkte entschieden haben. Wir wurden 2012 gegründet, ein Unternehmen, das sich der Herstellung hochwertiger Möbel und Haushaltsprodukte widmet. Während der Verwendung der Produkte können Sie uns per E-Mail kontaktieren, wenn Sie während der Verwendung der Produkte Vorschläge oder Kommentare haben. Wir werden unser Bestes geben, um Ihre Bedürfnisse zu erfüllen und Ihnen bessere Produkte und Dienstleistungen anzubieten.

wünsche dir ein glückliches leben!

Cher client,

Merci d'avoir choisi nos produits. Nous avons été fondés en 2012, une entreprise dédiée à la production de meubles et d'articles ménagers de haute qualité. Lors de l'utilisation des produits, vous pouvez nous contacter par e-mail si vous avez des suggestions ou des commentaires lors de l'utilisation des produits. Nous ferons de notre mieux pour répondre à vos besoins et vous fournir de meilleurs produits et de meilleurs services.

vous souhaite une vie heureuse!

Please make sure that you have all the following parts listed before installation.

If you find that something is missing, please stop assembling and contact us.

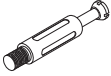
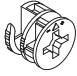
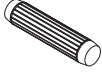

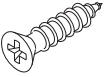
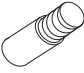


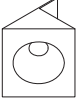
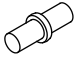



1 PERSON
ASSEMBLY

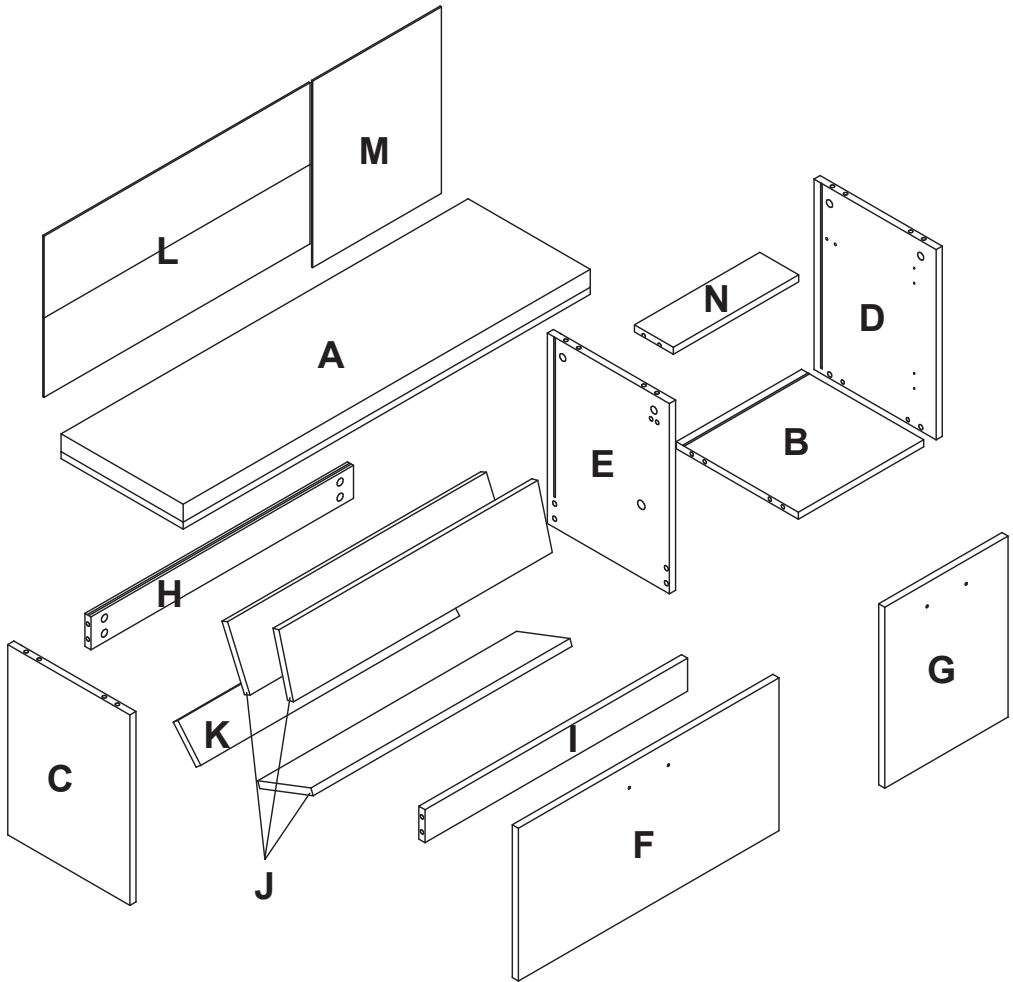


APPROXIMATELY
1 HOUR ASSEMBLY

HARDWARE

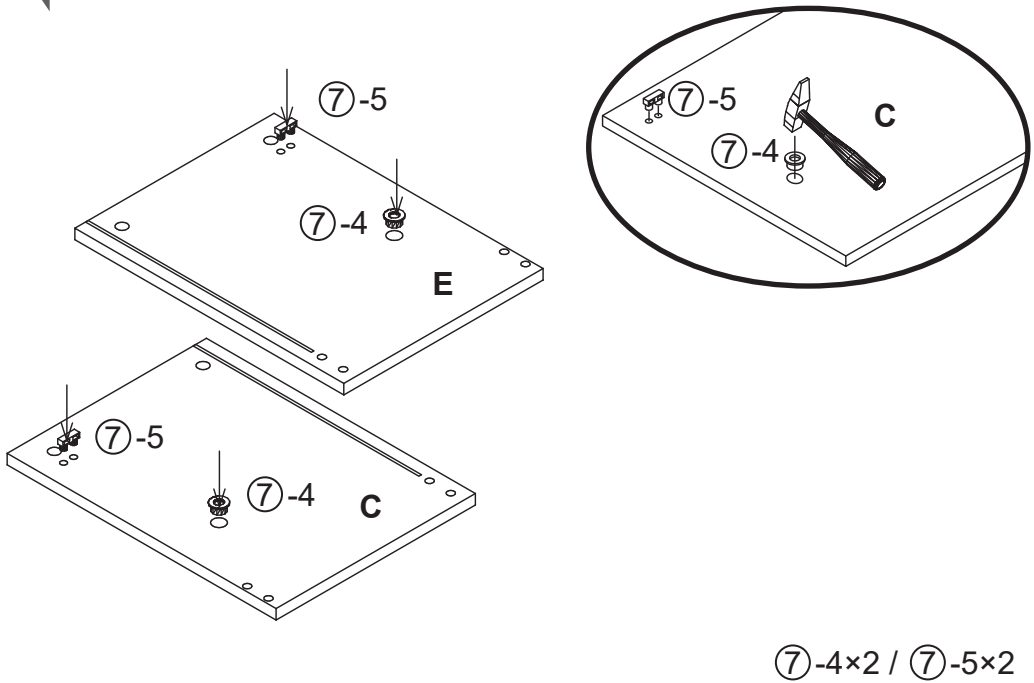
<p>1</p>  <p>18+2pcs</p>	<p>2</p>  <p>18 +2pcs</p>	<p>3</p> <p>8*40mm</p>  <p>10+2pcs</p>	<p>4</p>  <p>2pcs</p>
<p>5</p> <p>3.5*14mm</p>  <p>36+2pcs</p>	<p>6</p>  <p>1pcs</p>	<p>7</p>  <p>⑦-1×1 ⑦-2×1 ⑦-3×2 ⑦-4×2 ⑦-5×2 ⑦-6×2 / 4×12mm</p> <p>1sets</p>	<p>8</p>  <p>18mm 9*96mm</p> <p>2sets</p>
<p>9</p>  <p>12+2pcs</p>	<p>10</p>  <p>4pcs</p>	<p>11</p>  <p>6+1pcs</p>	

PARTS LIST

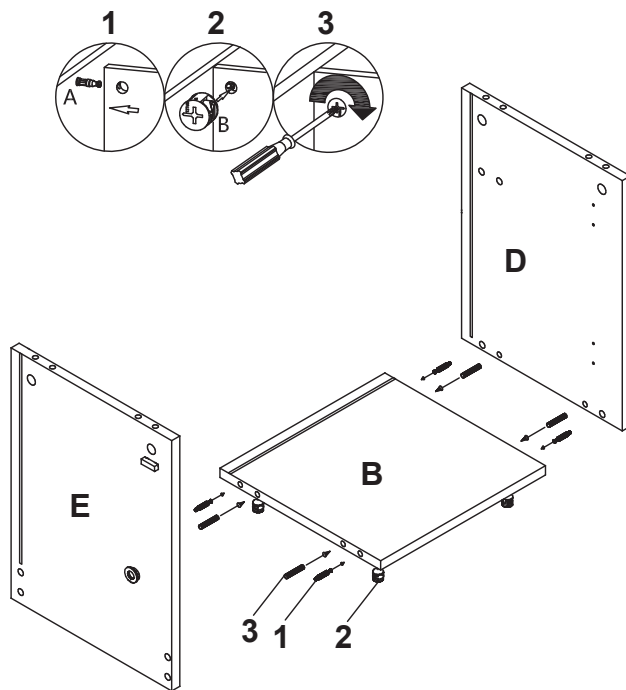


INSTRUCTION MANUAL

Step 1

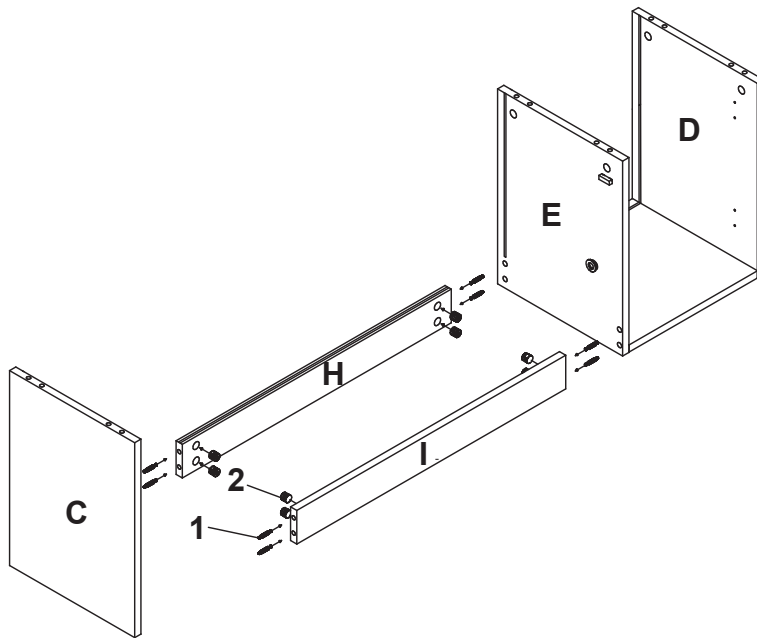


Step 2



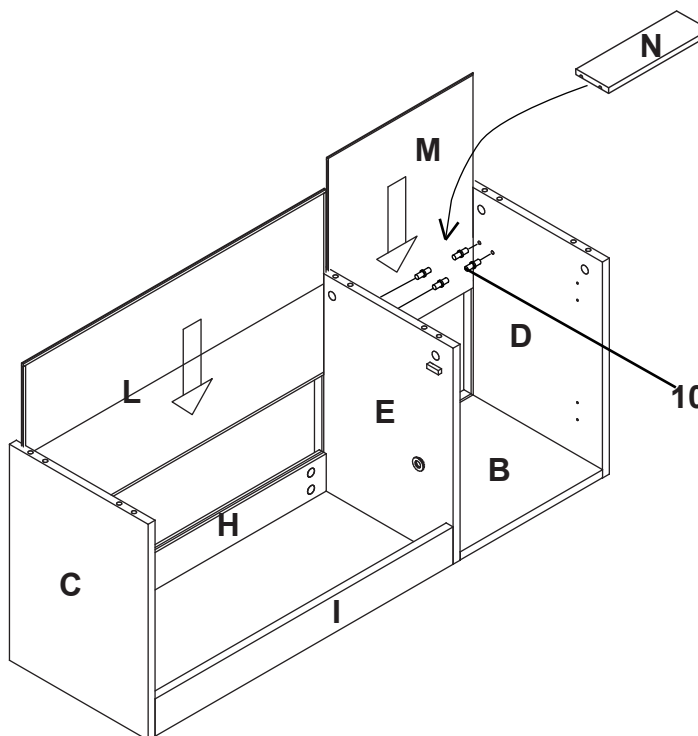
①×4 / ②×4 / ③×4

Step 3



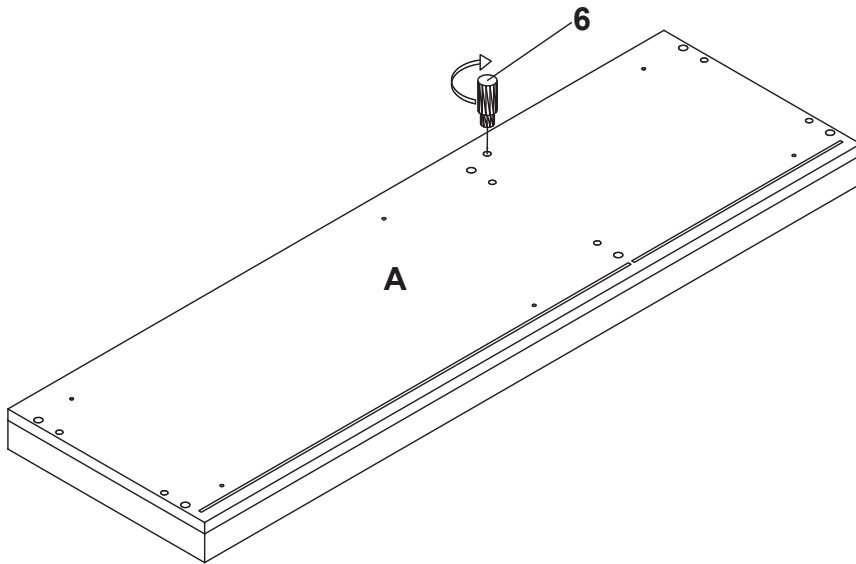
①×8 / ②×8

Step 4



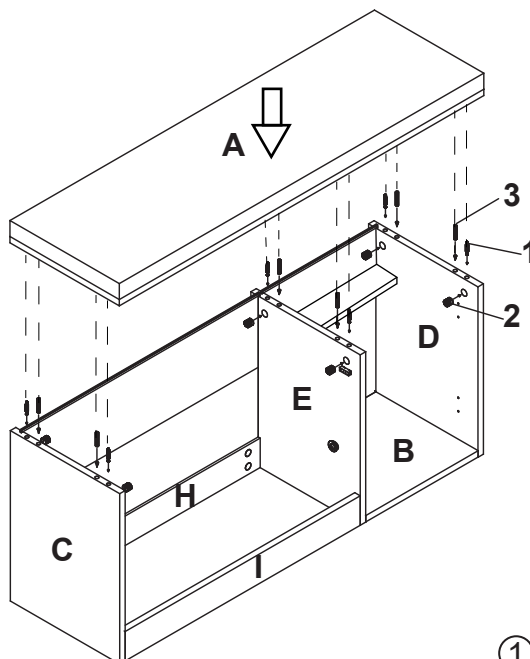
⑩×4

Step 5



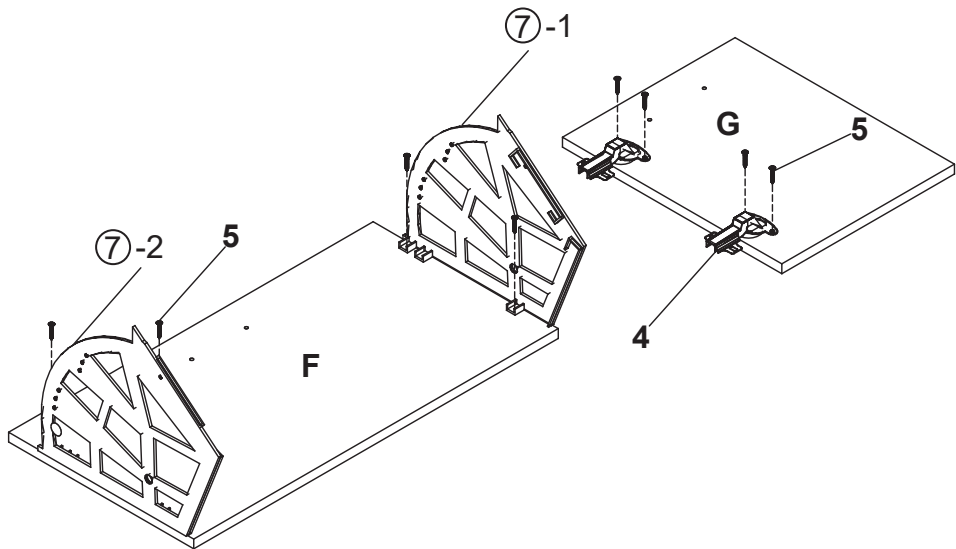
⑥×1

Step 6



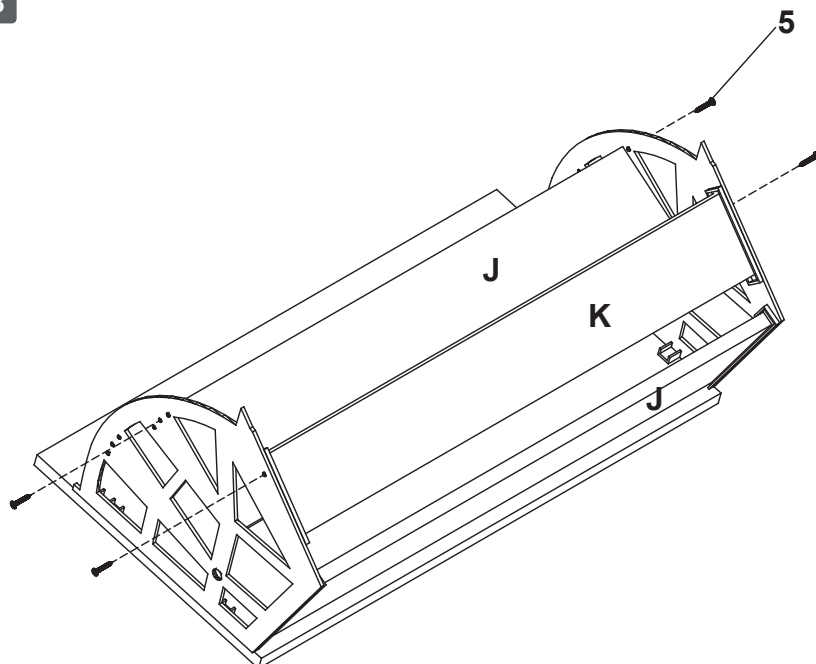
①×6 / ②×6 / ③×6

Step 7



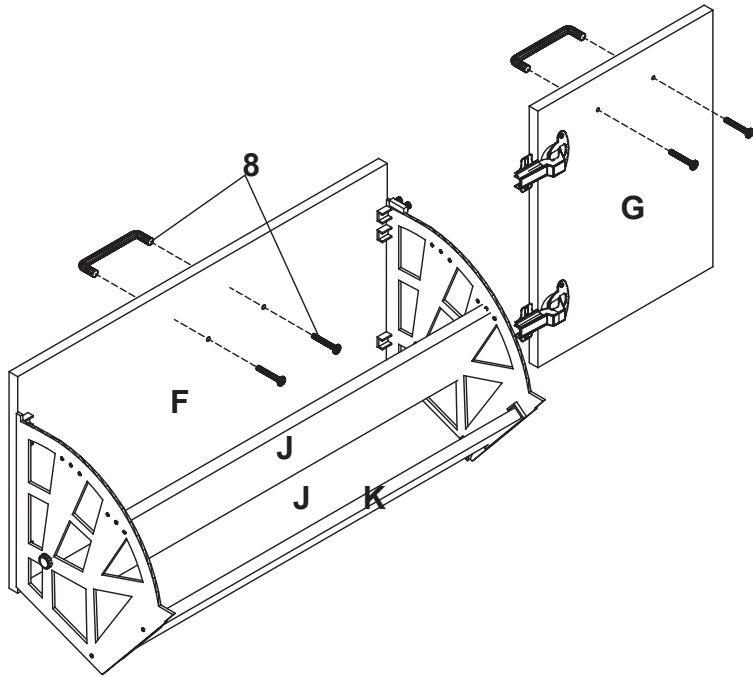
④×2 / ⑤×10 / ⑦-1×1 / ⑦-2×1

Step 8



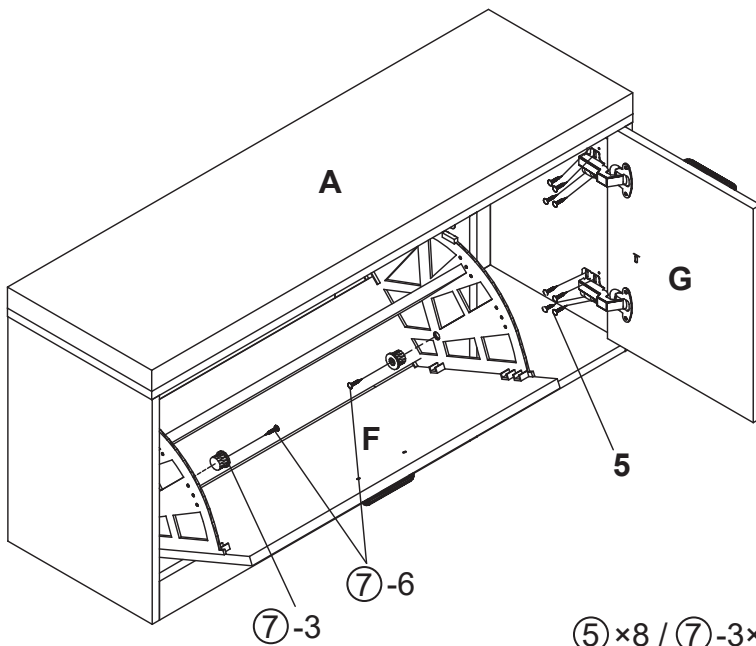
⑤×4

Step 9



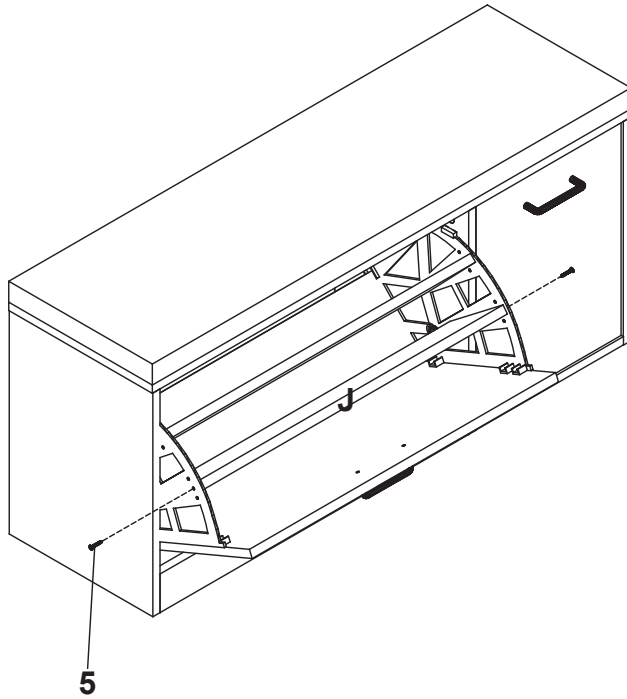
⑧ × 2

Step 10



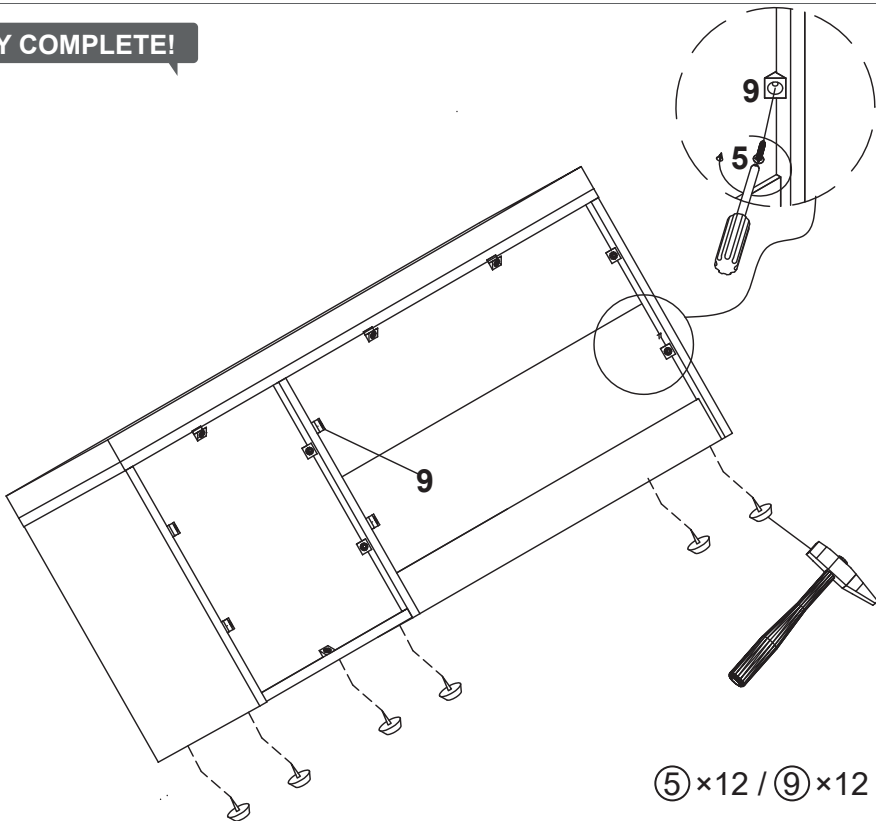
⑤ × 8 / ⑦ - 3 × 2 / ⑦ - 6 × 2

Step 11

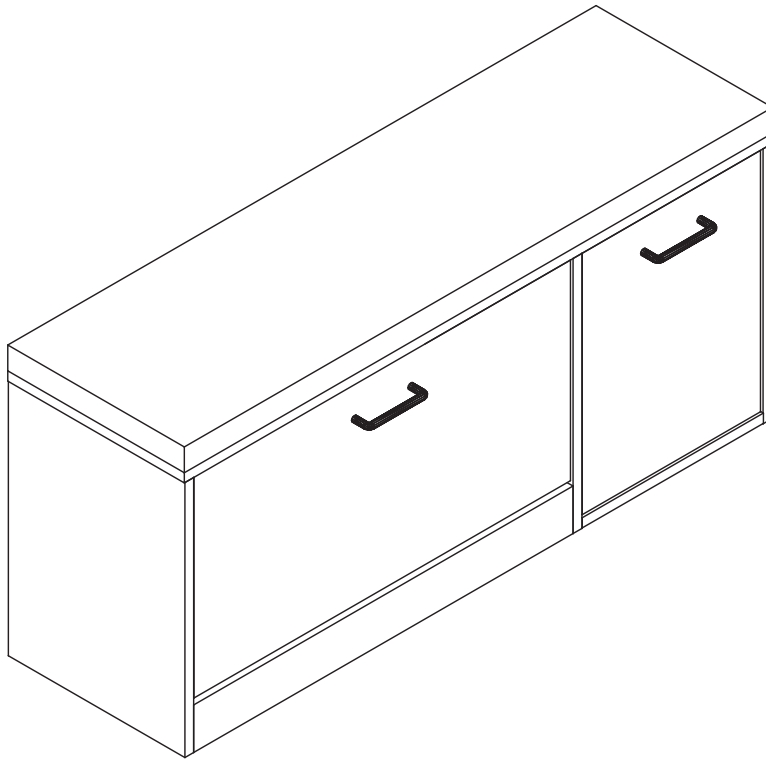


⑤ × 2

ASSEMBLY COMPLETE!



⑤ × 12 / ⑨ × 12 / ⑪ × 6



CAUTION!

The collapse of furniture may cause serious even fatal injury.
MUST permanently fix furniture on the wall to prevent the accident.

WARNUNG!

Beim Umkippen von Möbeln können schwere oder tödliche Quetschverletzungen auftreten. Damit das Möbel nicht umkippen kann, muss es dauerhaft sein an der Wand befestigt.

ATTENTION!

Le renversement des meubles peut provoquer des blessures par écrasement graves ou mortelles. Pour éviter que ce meuble ne bascule, il doit être en permanence fixé au mur.

To protect our environment,
Please dispose of all
packaging thoughtfully.



NOTICE

Don't stand on or use any part of this product as a step ladder.

Firmly secure all bolts, screws and knobs before use.

Reconfirm that all bolts, screws , and knobs are secure every 90 days.

If the outer wood shell covers a screw hole, use a screwdriver to carefully poke through the wood shell to reveal the screw hole.

This product is intended for indoor use only.

No matter which part is missing, broken, damaged, or worn, stop using until it was repaired or replacement part was installed.

Don't use this item in a way inconsistent with the manufacturer s instructions as this could with the product warranty.

To clean the desk, use a wet cloth that has been wrung out. Then, wipe it down once more sith a dry cloth.

Place the desk on level and smooth ground. Don't use it in the following places:

- Outdoors
- Slanted ground
- Direct sunlight

WARNING

Manufacturer and seller expressly disclaim any and all liability for personal injury, property damage or loss, whether direct, indirect, or incidental, resulting from the incorrect installation, improper use, inadequate maintenance, or neglect of this product.