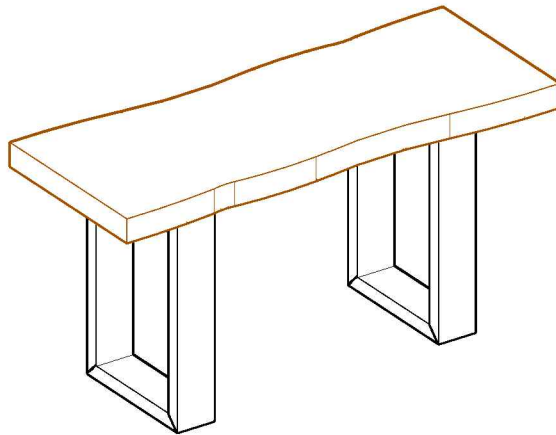



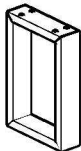
Bench

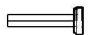



Thank you for purchasing our Bench. It will be helpful to have a second person available during the assembly of this product.

Assembly Instructions

Lay out all parts on a "non-abrasive" surface to avoid scratching furniture.

| NO. | DRAWING | DESCRIPTION | QTY. |
|-----|---|-------------|------|
| A |  | TOP | 1 |
| B |  | LEG | 2 |

| NO. | DRAWING | DESCRIPTION | QTY. |
|-----|---|-----------------|------|
| C |  | M6X35MM BOLT | 8 |
| D |  | ALLEN KEY | 1 |

Step 1

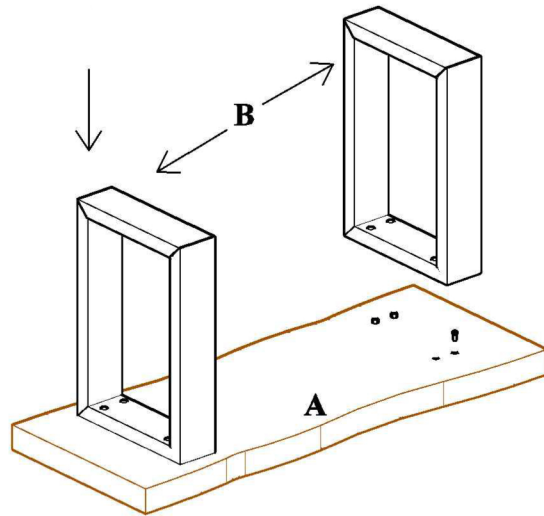
Read through these instructions thoroughly before beginning assembly. We have found this to be of great value when first assembling this product.

Step 2

Remove all parts and hardware from packing material. Wooden pieces should be placed on a non abrasive surface (like the carton or carpet) to prevent damage to the finish.

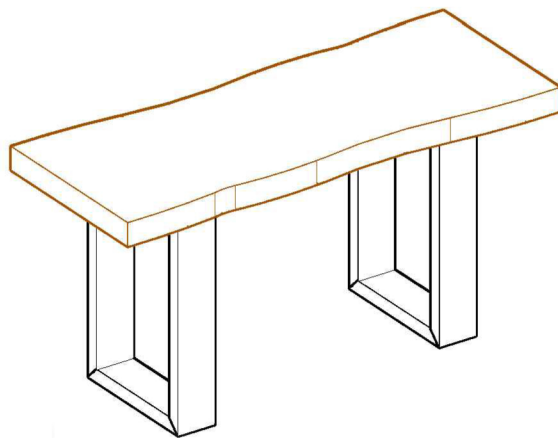
Step 3

Lay Top (A) upside down and attach 2 Legs (B) using 8 6M x 35MM Bolts (c)
TIGHTEN ALL BOLTS FIRMLY AT THIS TIME.



Step 4

Set Bench Upright



CARE

Clean with mild soap and wipe dry.
