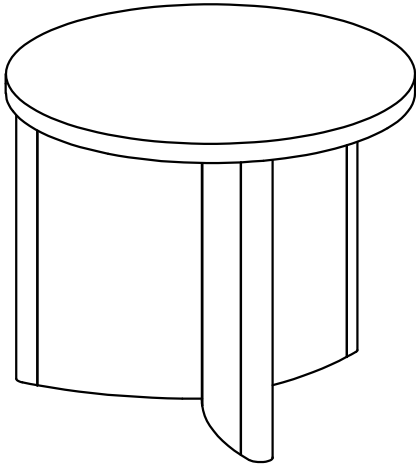







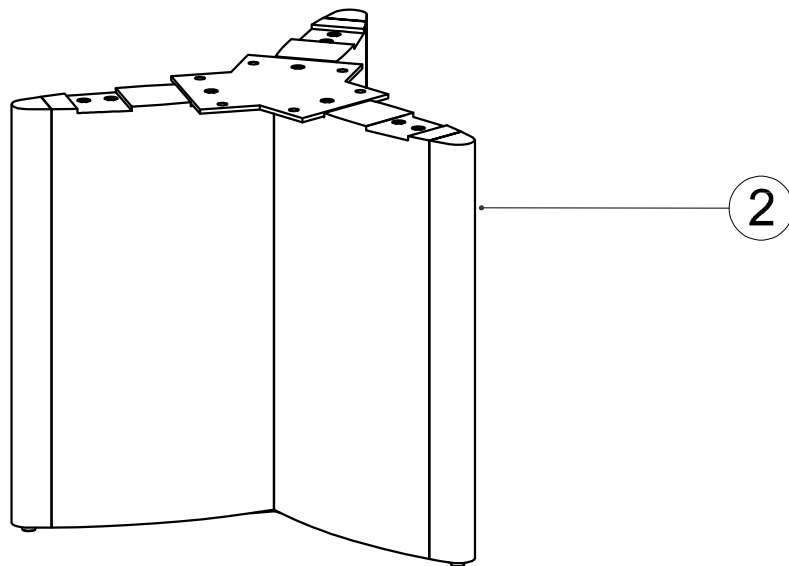
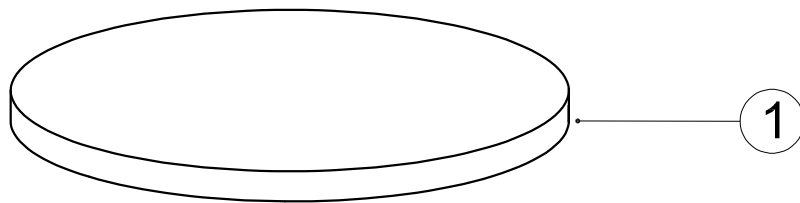
ASSEMBLY INSTRUCTION FOR

END TABLE

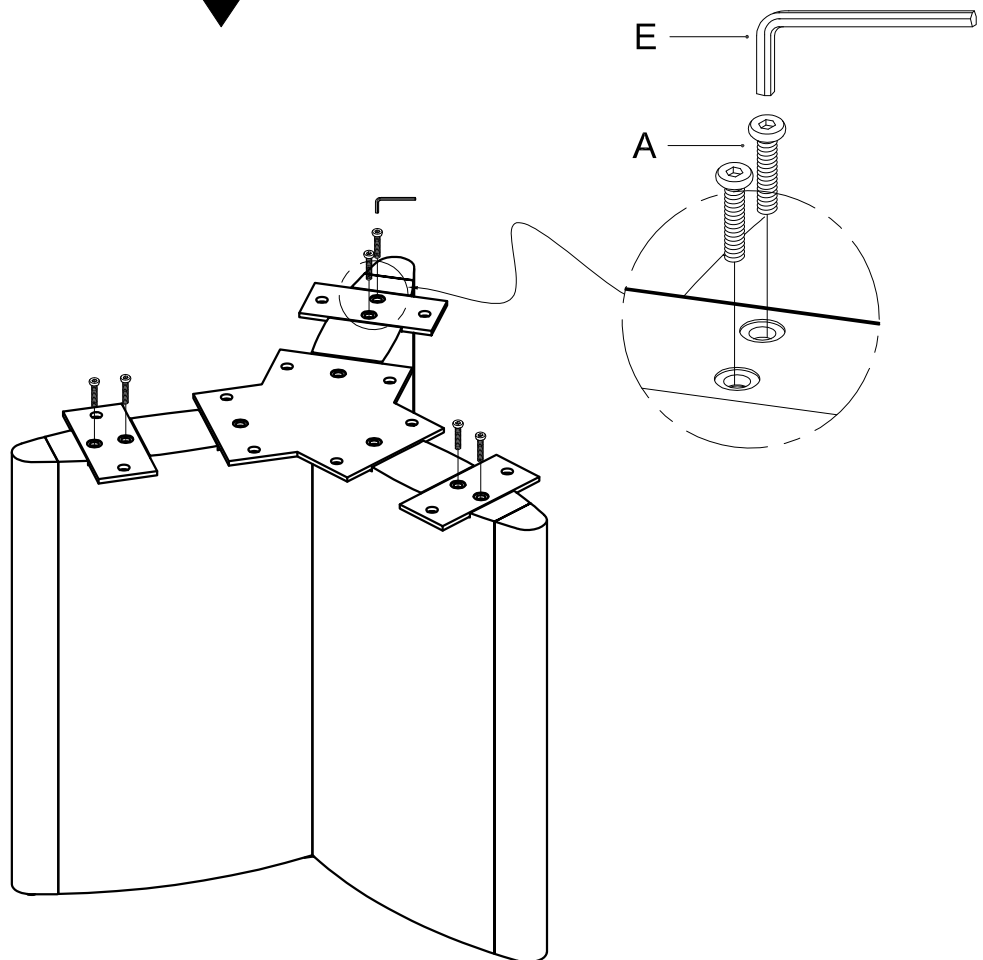
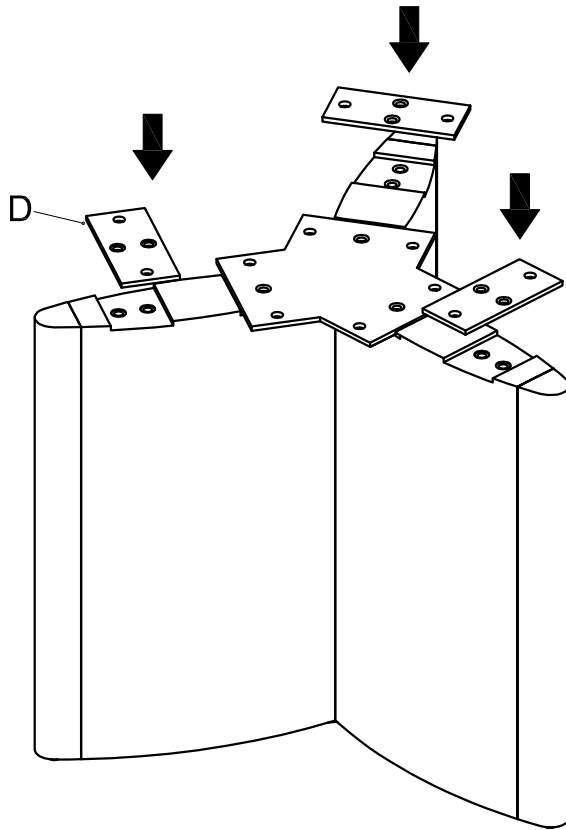


Hardware List

A		Bolt	6x20mm	18
B		Flat Washer	6x16mm	12
C		Spring Washer	6x16mm	12
D		Metal X Bracket	5x60x135mm	3
E		Allen Key	4mm	1



Step 1



Step 2

