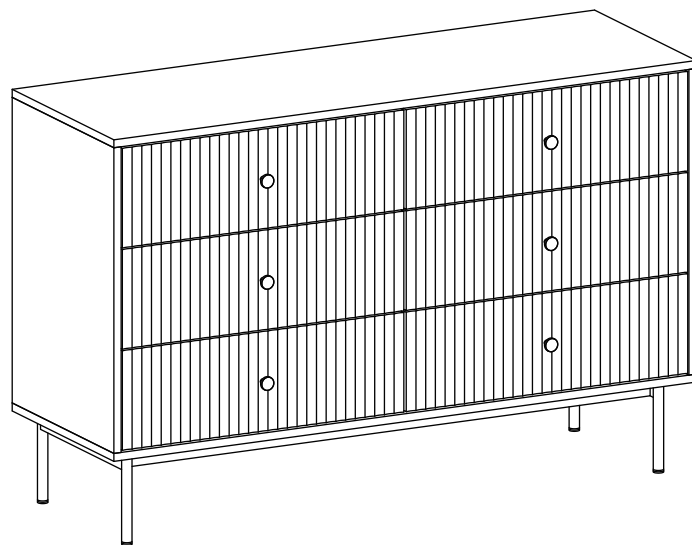


# WIDE CHEST OF 6 DRAWERS WHITE / BLACK / GREY / SAGE

*Instruction manual*

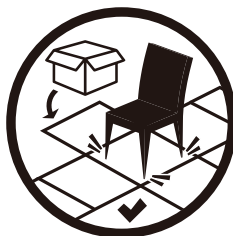




# SAFETY AND CARE ADVICE

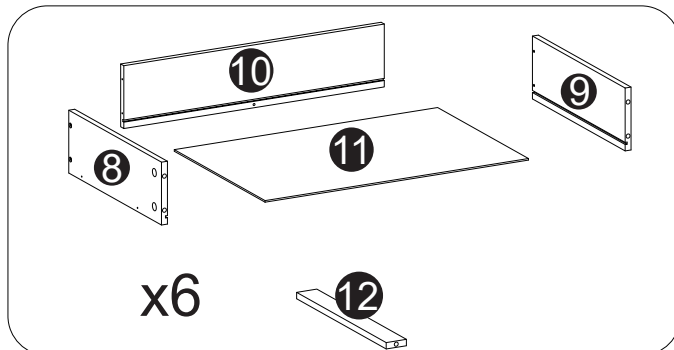
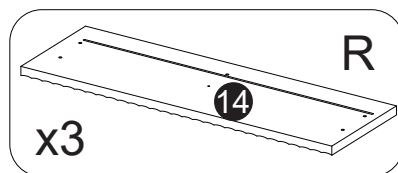
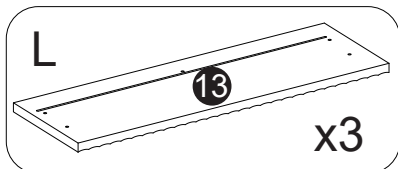
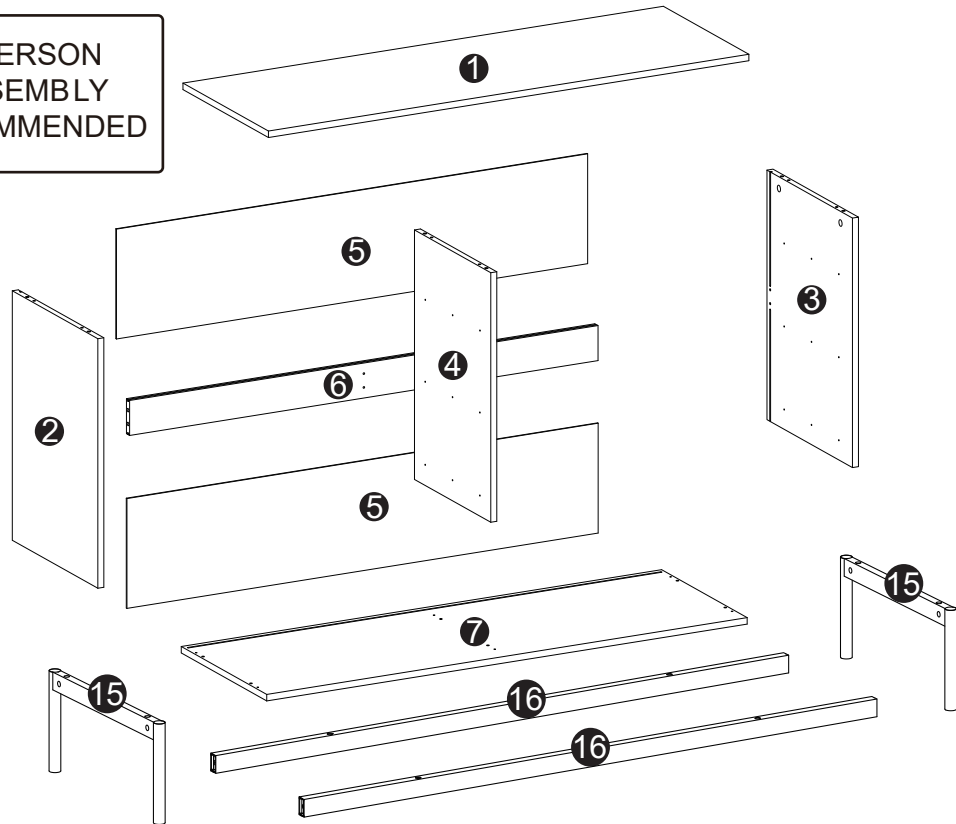
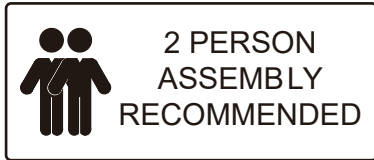
PLEASE READ THESE INSTRUCTIONS CAREFULLY AND KEEP FOR FUTURE

- Check you have all the components and tools listed on pages 2 or 3.
- Remove all fittings from the plastic bags and separate them into their groups.
- Keep children and animals away from the work area, small parts could choke if swallowed.
- Make sure you have enough space to layout the parts before starting.
- Do not stand or put weight on the product, this could cause damage.
- Assemble on a soft level surface to avoid damaging the unit or your floor (use opened out unit carton).
- We do not recommend the use of power drill/drivers for inserting screws, as this could damage the unit. Only use hand screwdrivers.



# COMPONENTS — PANELS

Please check you have all the panels listed below:

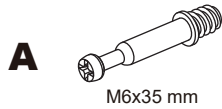


## PANEL LIST

1	Top Panel	x1	7	Bottom Panel	x1	13	Left Drawer Front Panel	x3
2	Left Side Panel	x1	8	Drawer Left Side Panel	x6	14	Right Drawer Front Panel	x3
3	Right Side Panel	x1	9	Drawer Right Side Panel	x6	15	Iron Feet	x2
4	Middle Vertical Panel	x1	10	Drawer Back Panel	x6	16	Bottom Bar	x2
5	Back Panel	x2	11	Drawer Bottom Panel	x6			
6	Back Support Bar	x1	12	Drawer Bottom Bar	x6			

# COMPONENTS — FITTINGS

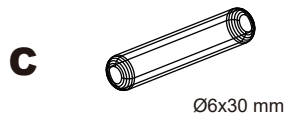
Please check you have all the fittings listed below:



Bolt x 40



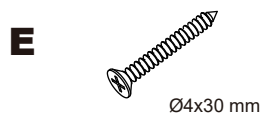
Lock x 40



Wooden Dowel x 12



Screw x 8



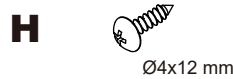
Screw x 32



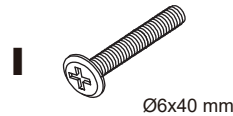
Screw x 8



Screw x 60



Screw x 2



Screw x 12



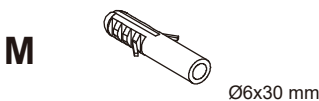
Back Buckle x 8



Handle x 8



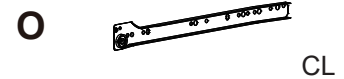
Ring Washer x 4



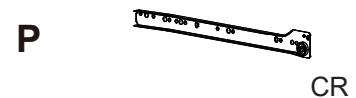
Plastic Expansion Pipe x 2



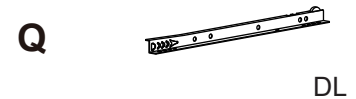
Screw x 6



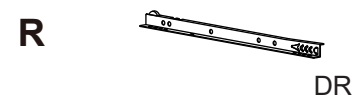
Drawer Runner X 6



Drawer Runner X 6



Drawer Runner X 6

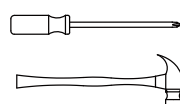


Drawer Runner X 6



Wall strap x 2

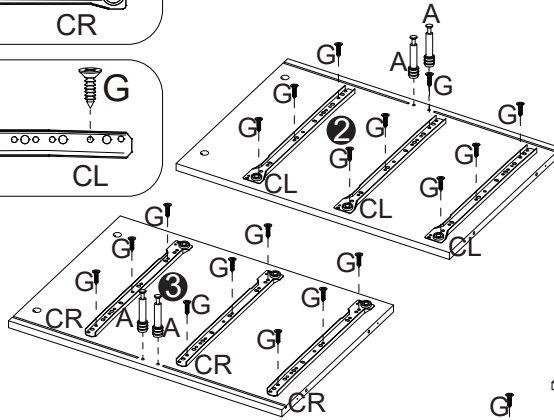
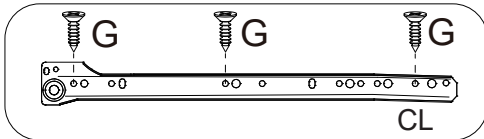
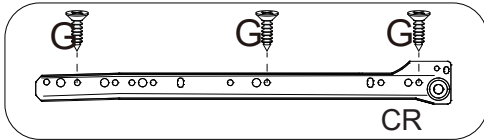
**TOOLS NEEDED**  
(We don't provide)



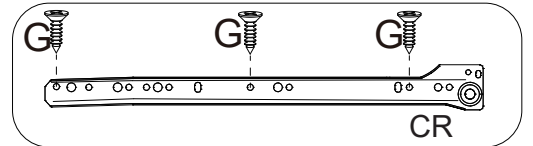
Phillips Screwdriver x 1  
Hammer x 1

# ASSEMBLY INSTRUCTIONS

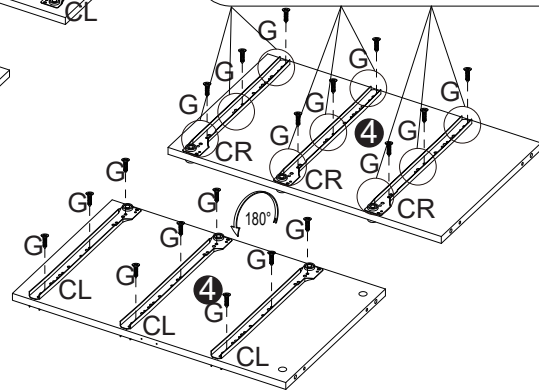
## Step 1



A		4	
G		36	

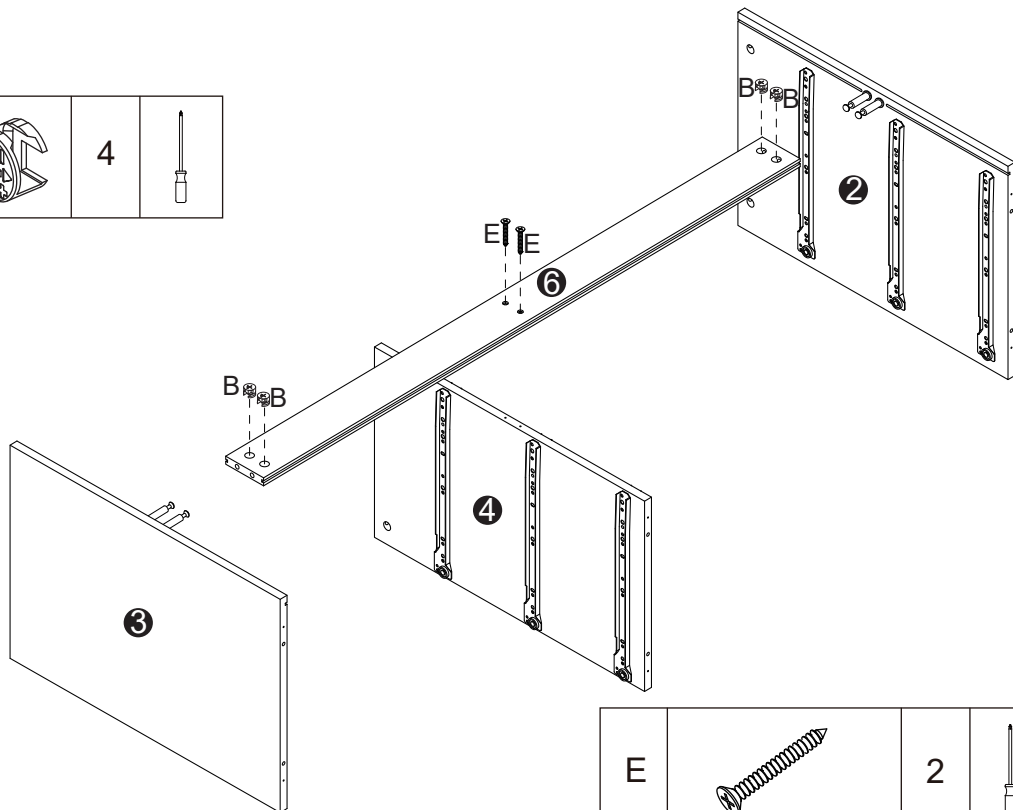


O		6
P		6



## Step 2

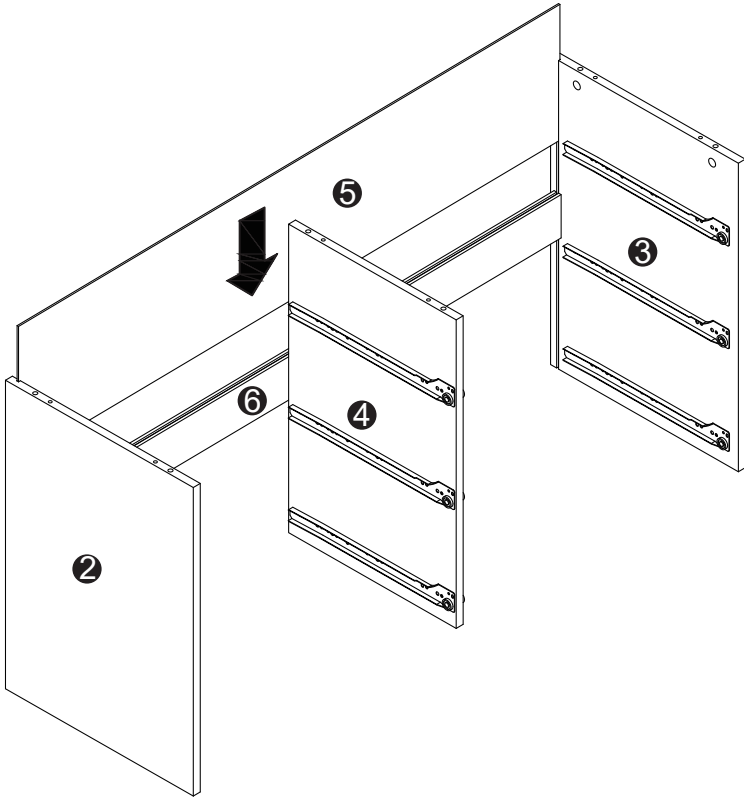
B		4	
---	--	---	--



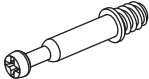

E		2	
---	--	---	--

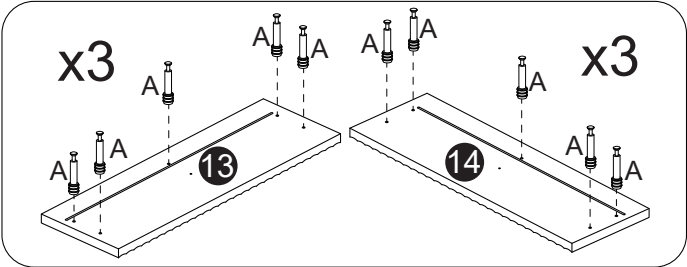
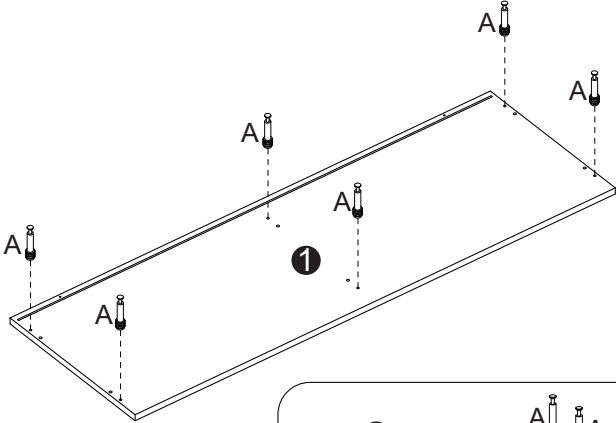
# ASSEMBLY INSTRUCTIONS

Step 3






Step 4

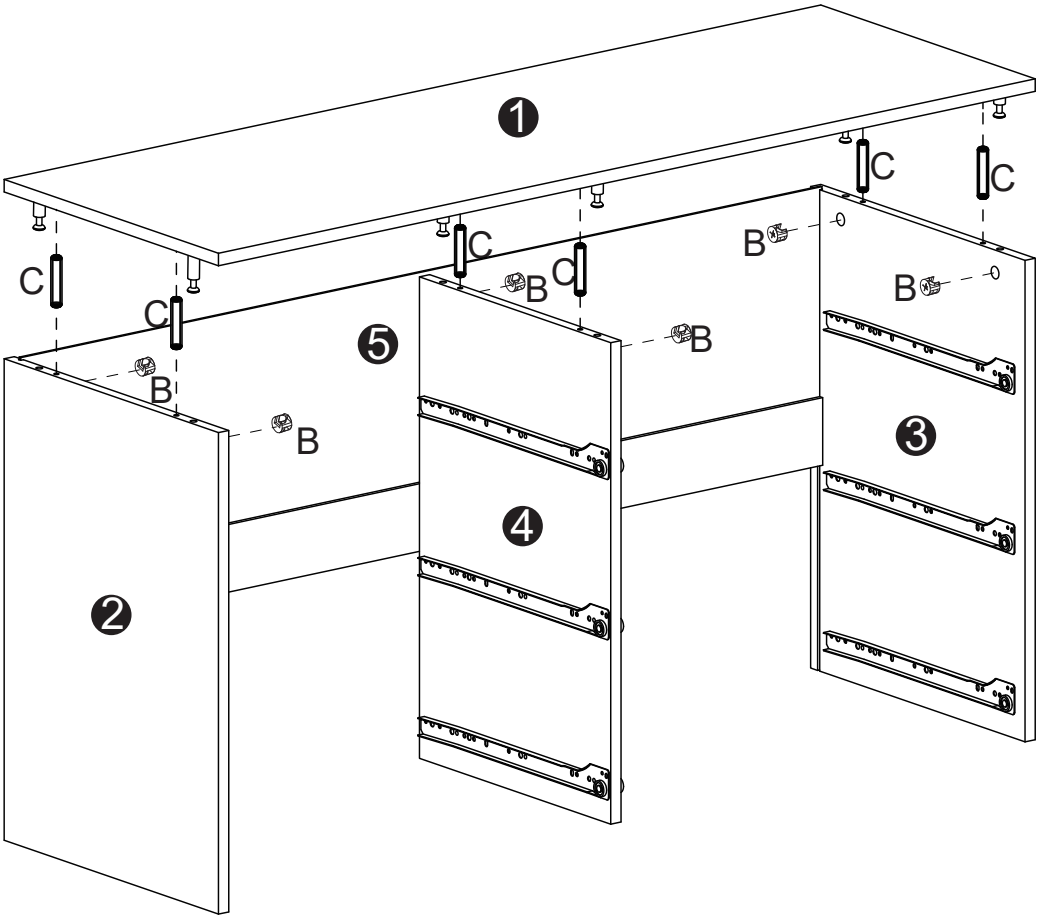
A		36	
---	---	----	---



# ASSEMBLY INSTRUCTIONS

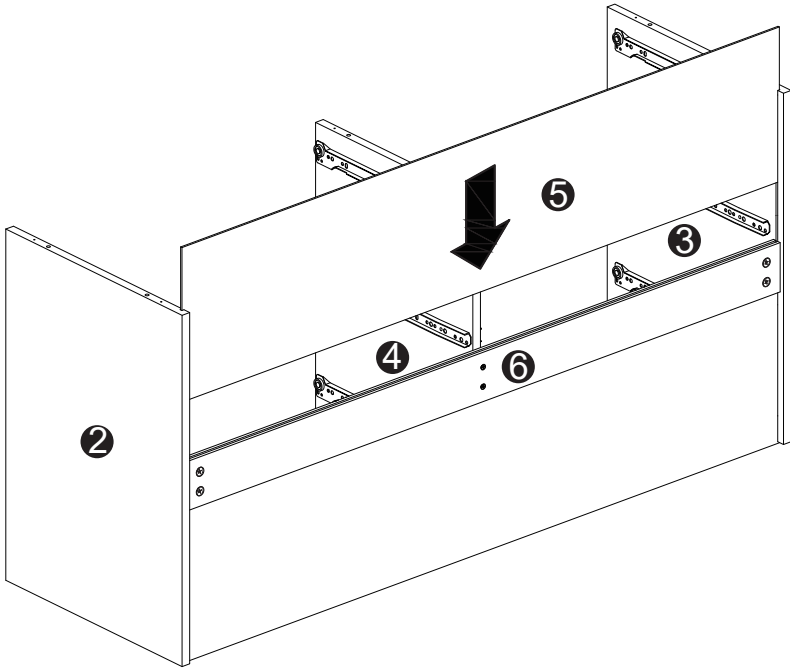
Step 5

B		6	
C		6	

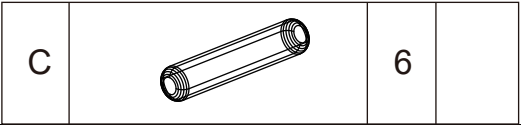
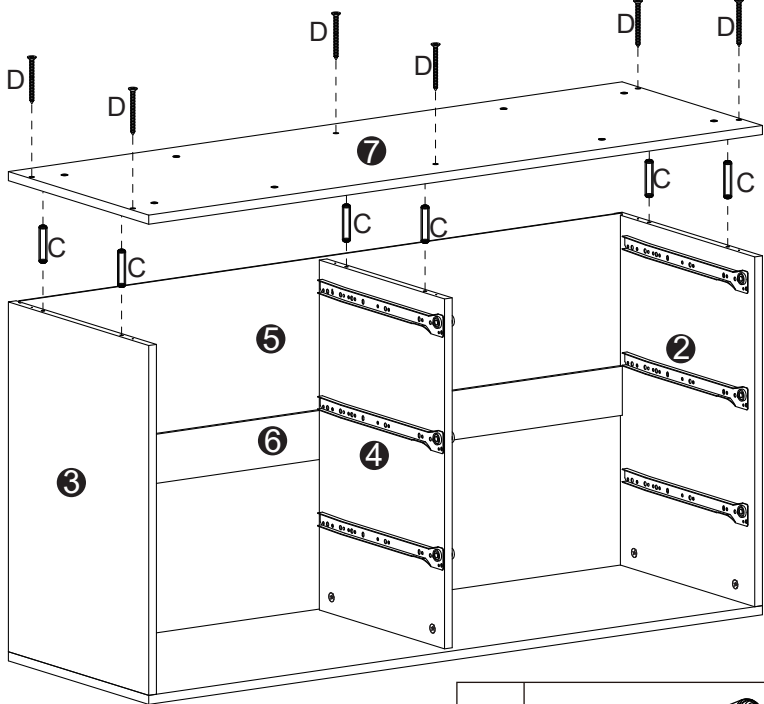
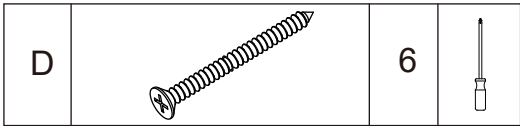


# ASSEMBLY INSTRUCTIONS

Step 6

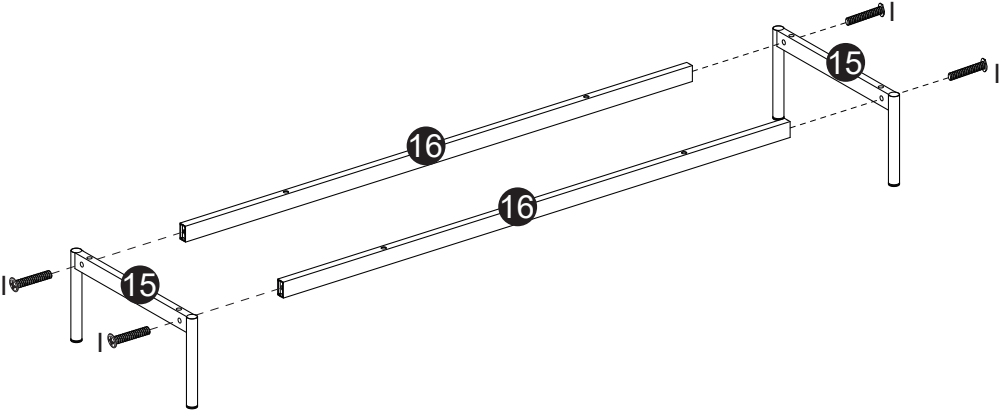
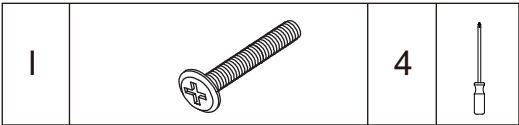


Step 7

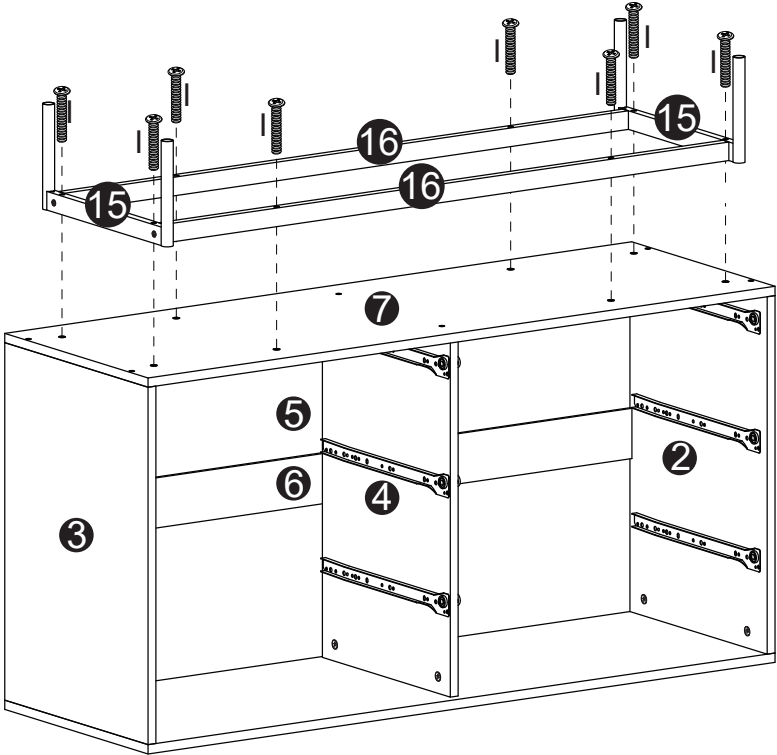
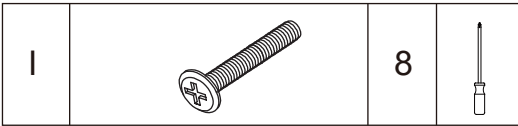


# ASSEMBLY INSTRUCTIONS

Step 8







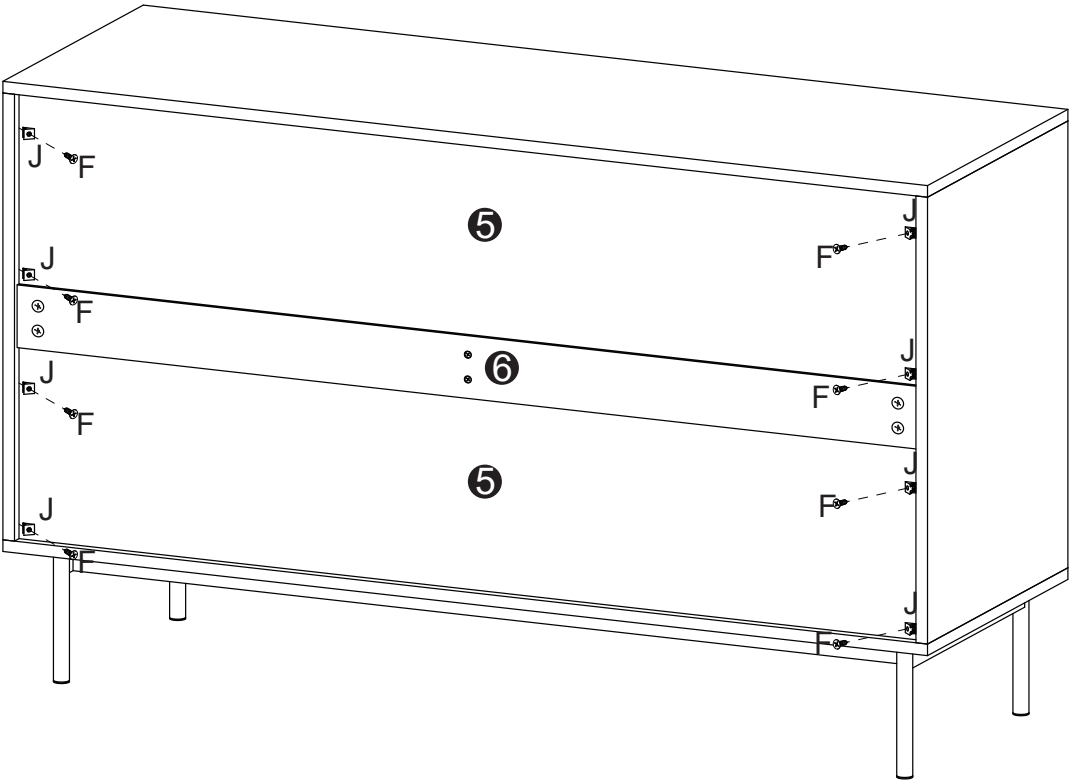
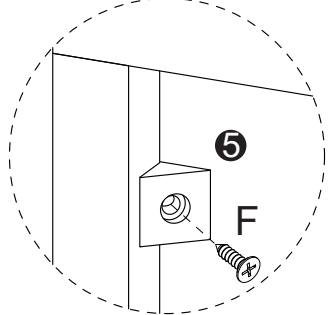
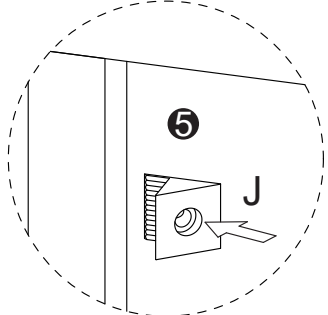
Step 9



# ASSEMBLY INSTRUCTIONS

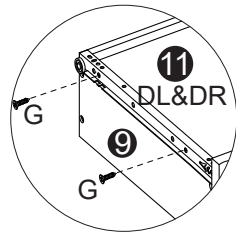
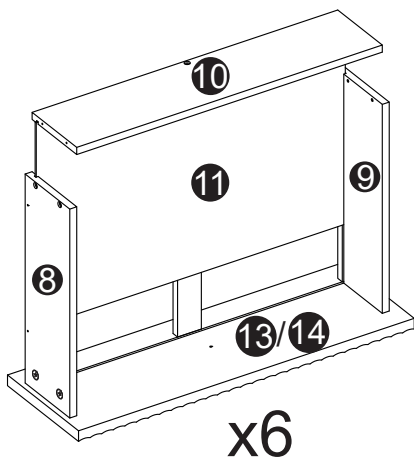
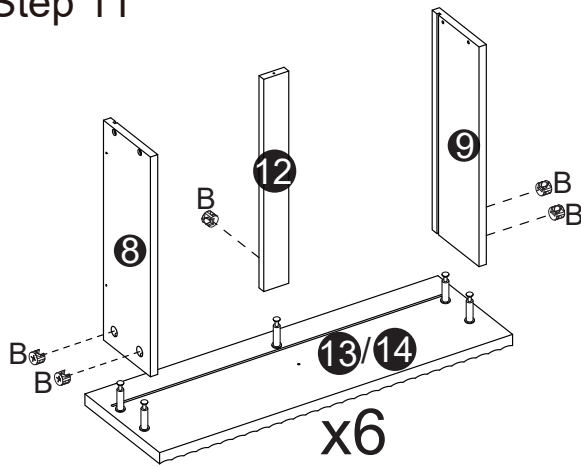
Step 10

F		8	
J		8	

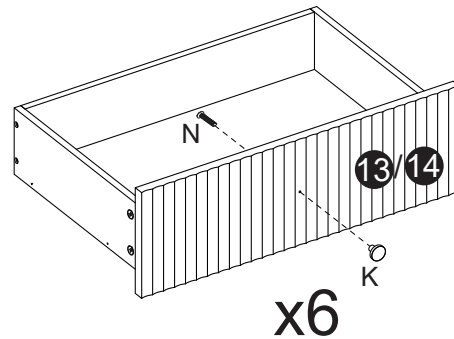
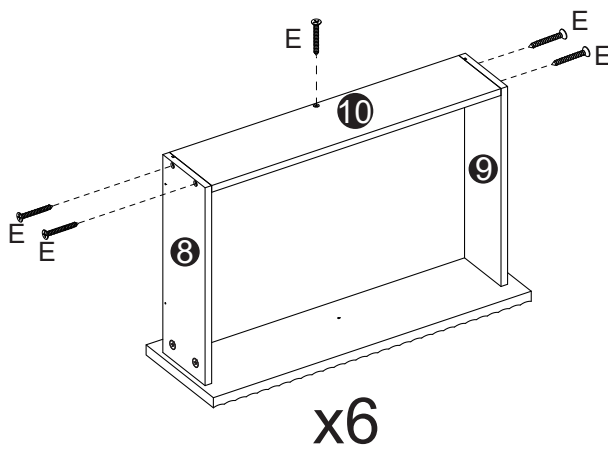
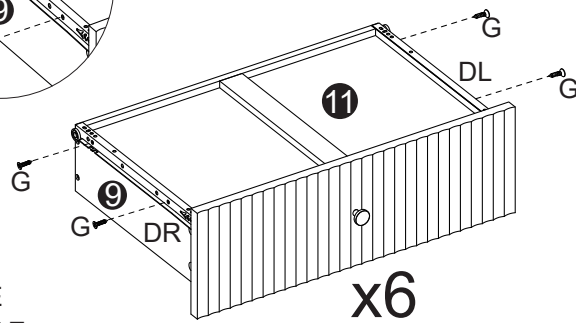


# ASSEMBLY INSTRUCTIONS

## Step 11



B		30	
E		30	
K		6	
N		6	
Q		6	
R		6	

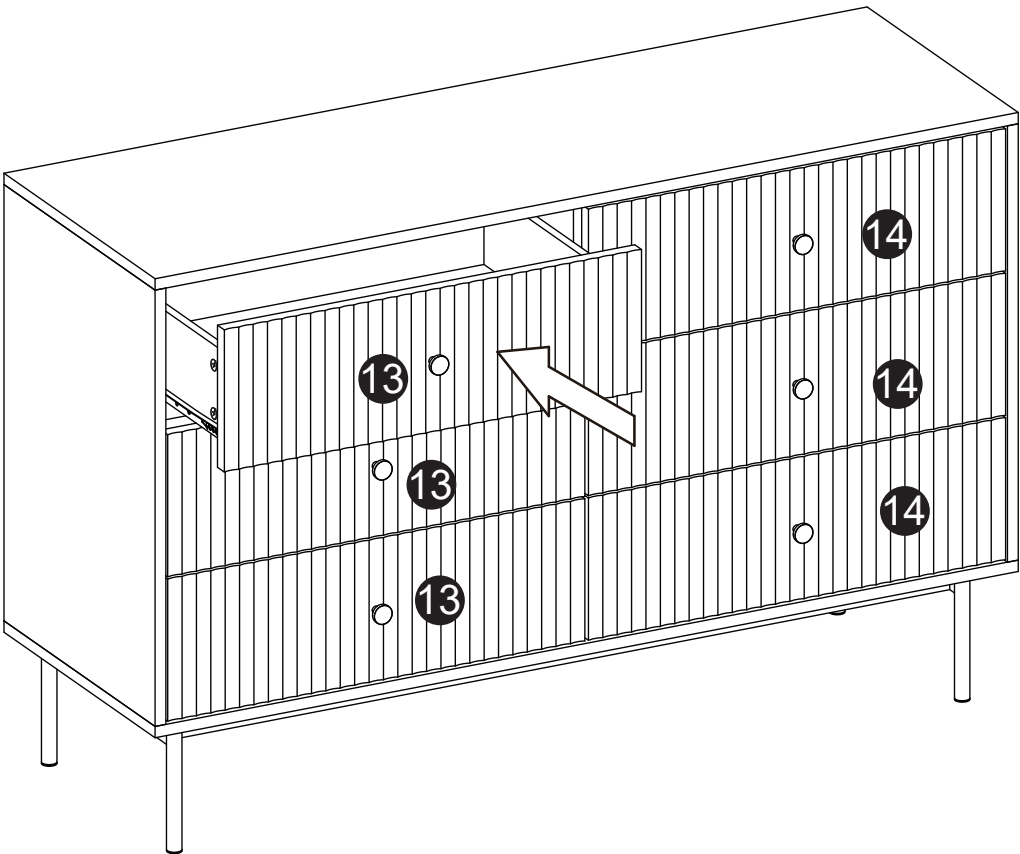


G		24	
---	--	----	--

# ASSEMBLY INSTRUCTIONS







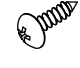

---

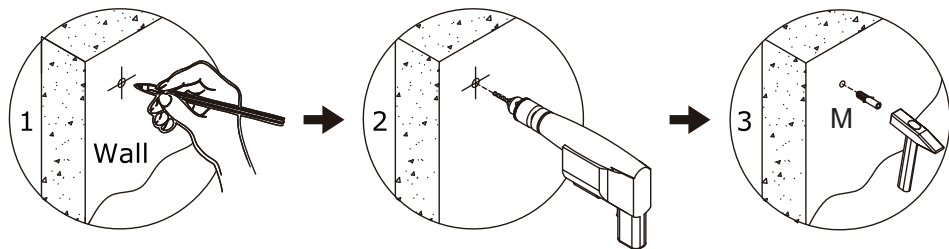
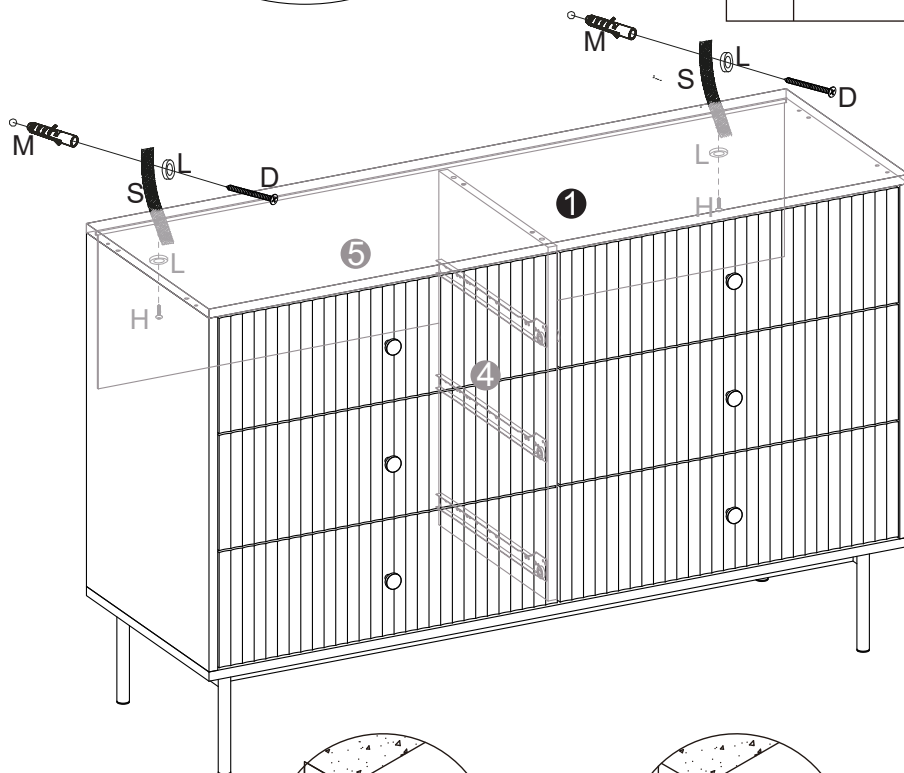
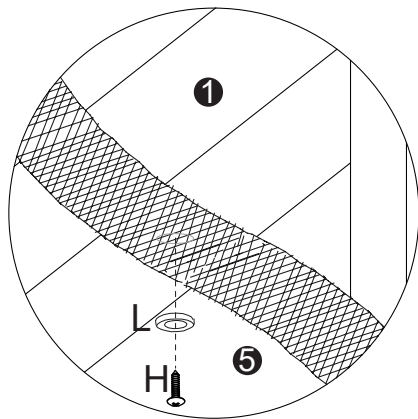
Step 12



# ASSEMBLY INSTRUCTIONS

## Step 13

D		2	
L		4	
M		2	
S		2	
H		2	



*Congratulations!  
Now you have finished assembling the product.*

# A Guide to - Wall Mounting & Fixings

## Important note:

If plastic wall plugs are supplied with your product:



- these are only suitable for use in masonry walls.

If you are in any doubt about the correct wall plugs for your wall, seek professional advice.

Failure of the product due to using incorrect fixings is the responsibility of the installer.



**Important:** When drilling into walls always check that there are no hidden wires or pipes etc.

Make sure that the screws and wall plugs being used are suitable for supporting your unit. Consult a qualified person if you are unsure.

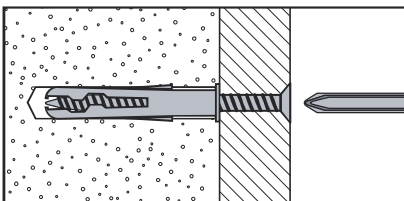
### Hints:

- 1: **General rule:** ⚠ Always use a larger screw and wall plug if you are not sure.
- 2: Ensure you use the recommended drill bit to match the wall plug and hole size.
- 3: Ensure you drill the hole horizontally, do not force the drill or enlarge the hole.
- 4: Take extra care when drilling high walls, ceilings and ceramic tiles. Ensure wall plugs are inserted beyond the thickness of the ceramic tiles to avoid the tiles splitting or cracking.
- 5: Ensure wall plugs are well fitted and are a tight fit in the drilled hole.

## Types of walls

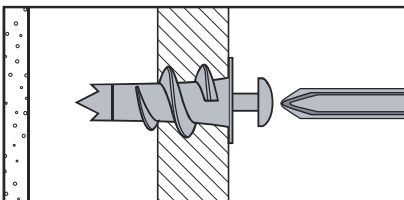
You can use one of the following types of wall plug if your walls are made of brick, breeze block, concrete, stone or wood.

### No.1 "General Purpose" wall plug



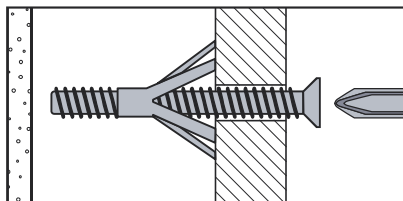
Generally aerated blocks should not be used to support heavy loads, use a specialist fitting in this case. For light loads, general purpose wall plugs can be used.

### No.2 "Plasterboard" wall plug



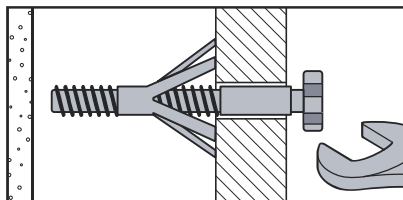
For use when attaching light loads on to plasterboard partitions.

### No.3 "Cavity Fixing" wall plug



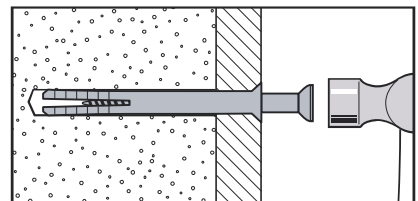
For use with plasterboard partitions or hollow wooden doors.

### No.4 "Cavity Fixing-Heavy Duty" wall plug



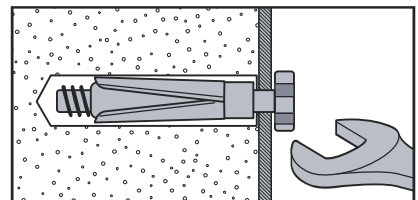
For use when fitting or supporting heavy loads such as shelving, wall cabinets and coat racks.

### No.5 "Hammer Fixing" wall plug



For use with walls stuck with plasterboard. The hammer fixing allows it to be fixed to the wall rather than the plasterboard. Always check the fixing is secure to the retaining wall.

### No.6 "Shield Anchor" wall plug Heavy loads



For use with heavier loads such as TV & HiFi speakers and satellite dishes etc.



## Care & Maintenance

**Safety:** Always check the fitting and location to ensure your safety in and around the home.

**Fitting:** From time to time check the fitting to ensure the wall plugs or screws do not become loose.