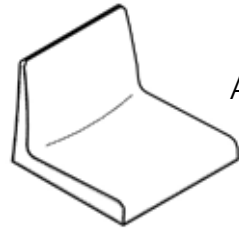
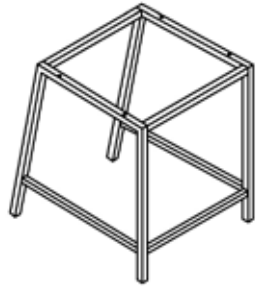


PLEASE NOTE: Check that you have received all components and hardware before assembling.

Assembly Instructions Counter Stool



A (1 pc)



B (1 pc)



C (4 pcs)



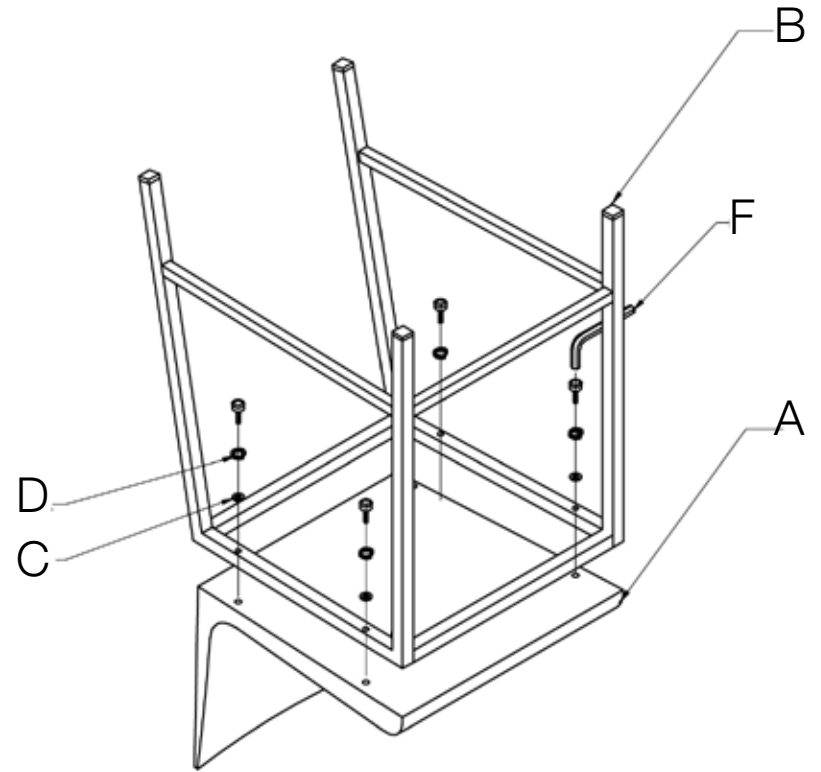
D (4 pcs)



E (4 pcs)



F (1 pc)



During assembly, hand tighten screws only. When all screws are in place, then tighten completely.