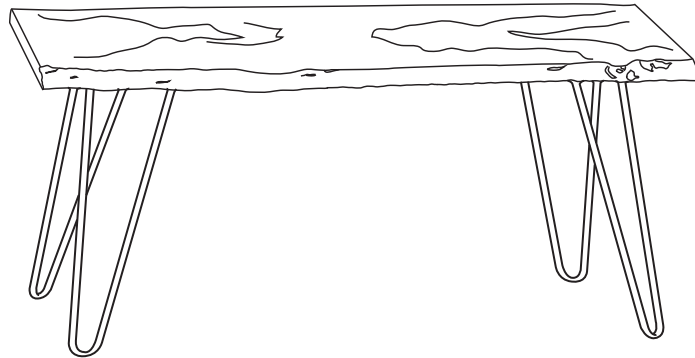

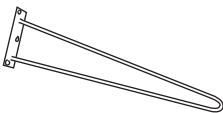
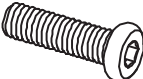





Assembly Instructions BENCH/TABLE



Thank you for purchasing a Forge Company product. This product has been designed for easy assembly and is constructed for durability. Please take the time to read and follow the assembly instructions carefully. If a part or hardware is missing or you have any difficulties in assembling this product, please contact us.

NO.	PART	DESCRIPTION	Q'TY	NO.	PARTS	DESCRIPTION	Q'TY
A		Table/Bench Top	1PC	B		Leg Assembly	4PC
C		Allen Head Bolt	12PCS	D		Flat Washer	12PCS
E		Spring Washer	12PCS	F		Allen head wrench	1PC

Assembly Instructions
BENCH/TABLE

STEP 1

