

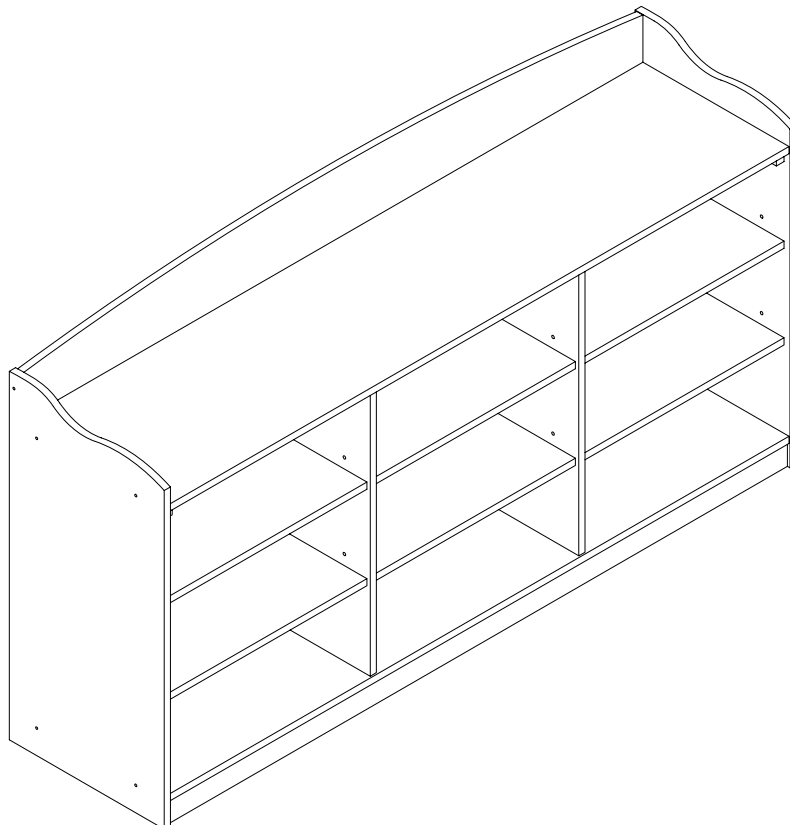
ASSEMBLY INSTRUCTION

PLEASE READ BEFORE ASSEMBLING!

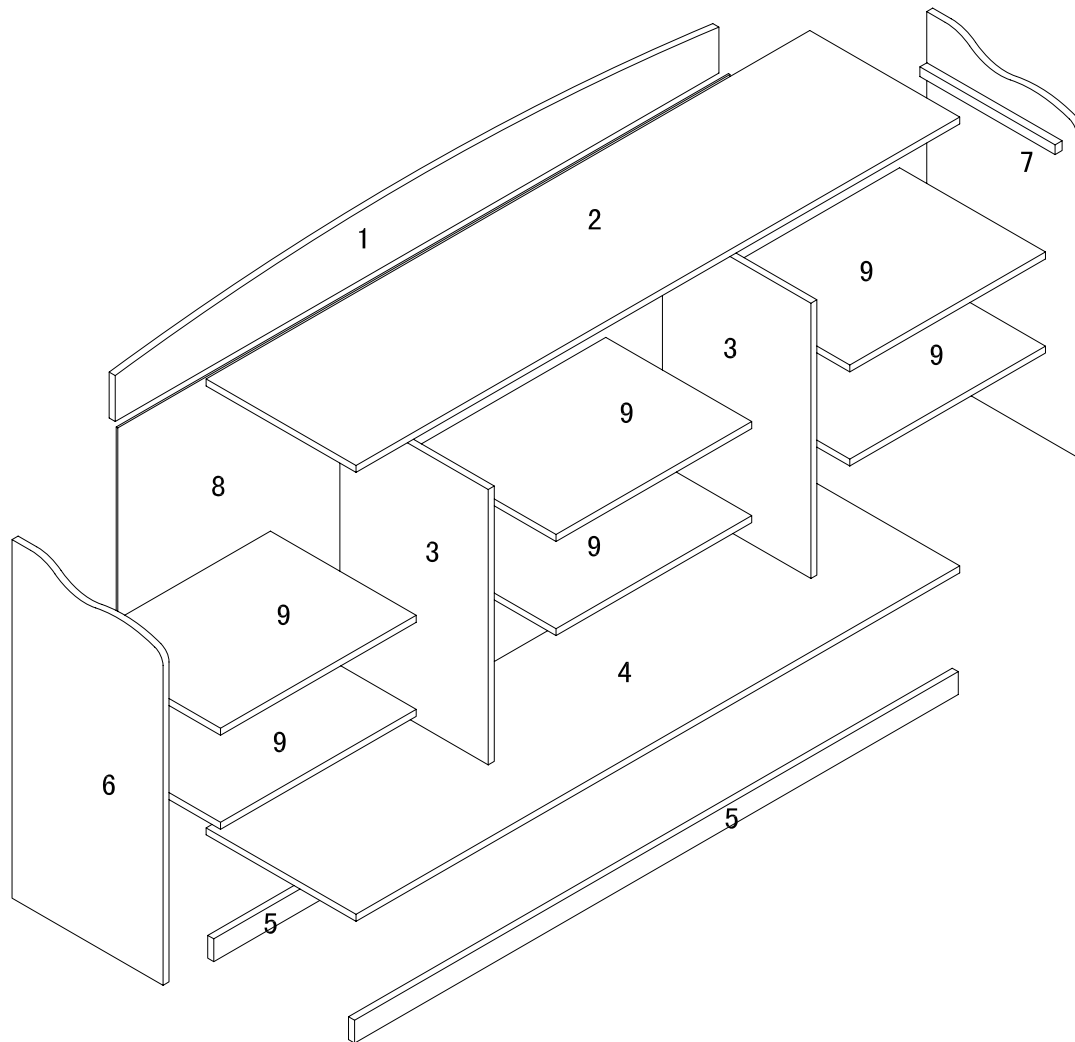
Tip #1: Make sure you've taken all the pieces and hardware out of its packaging before discarding the box.

Tip #2: Using page 2 and/or page 3 of instruction manual make sure all pieces and hardware are accounted for.

Tip #3: Read manual before assembling, it helps!



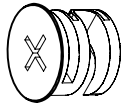
PARTS IDENTIFICATION



(1)	1PC	(8)	1PC
(2)	1PC	(9)	6PCS
(3)	2PCS		
(4)	1PC		
(5)	2PCS		
(6)	1PC		
(7)	1PC		

HARDWARE IDENTIFICATION

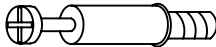
A



∅12

4PCS

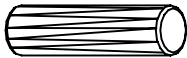
B



L20

4PCS

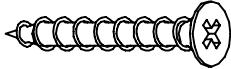
C



∅6x30

23PCS

D



∅4x30

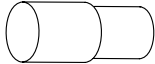
14PCS

E



40PCS

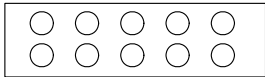
F



∅5

24PCS

G



∅13

10PCS

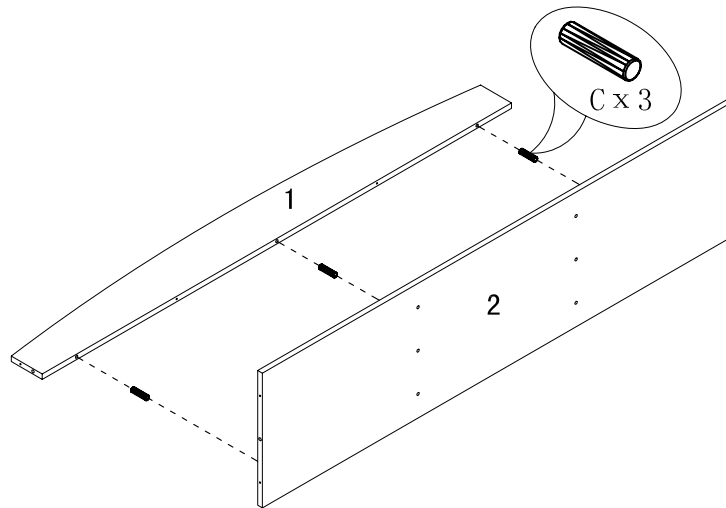
H



It's used for stick the stopper to the connecting hole firmly

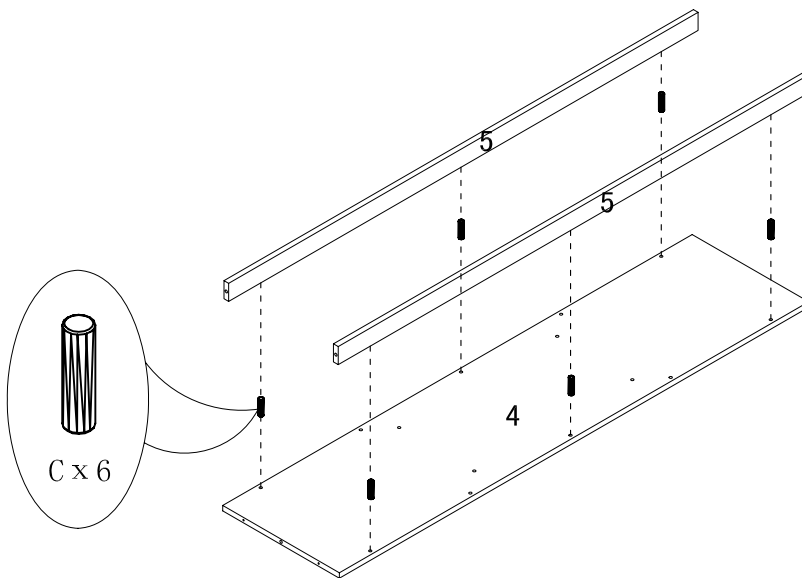
1PC

ASSEMBLY INSTRUCTION

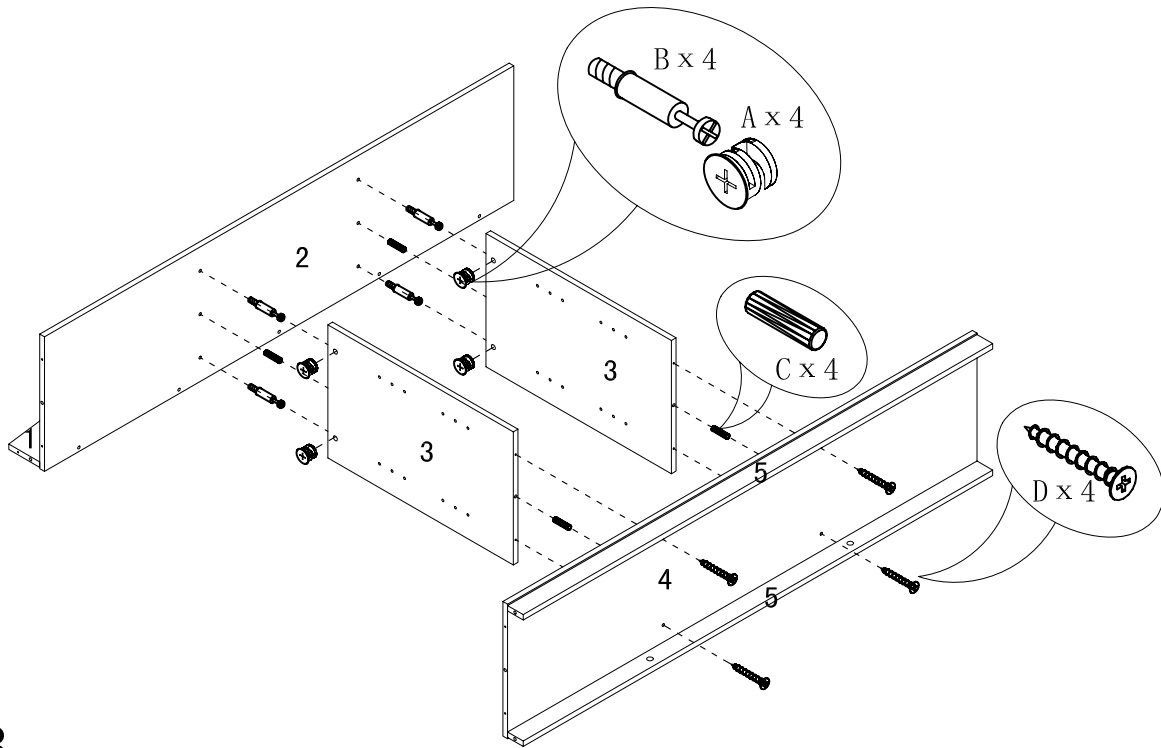


STEP 1

STEP 2

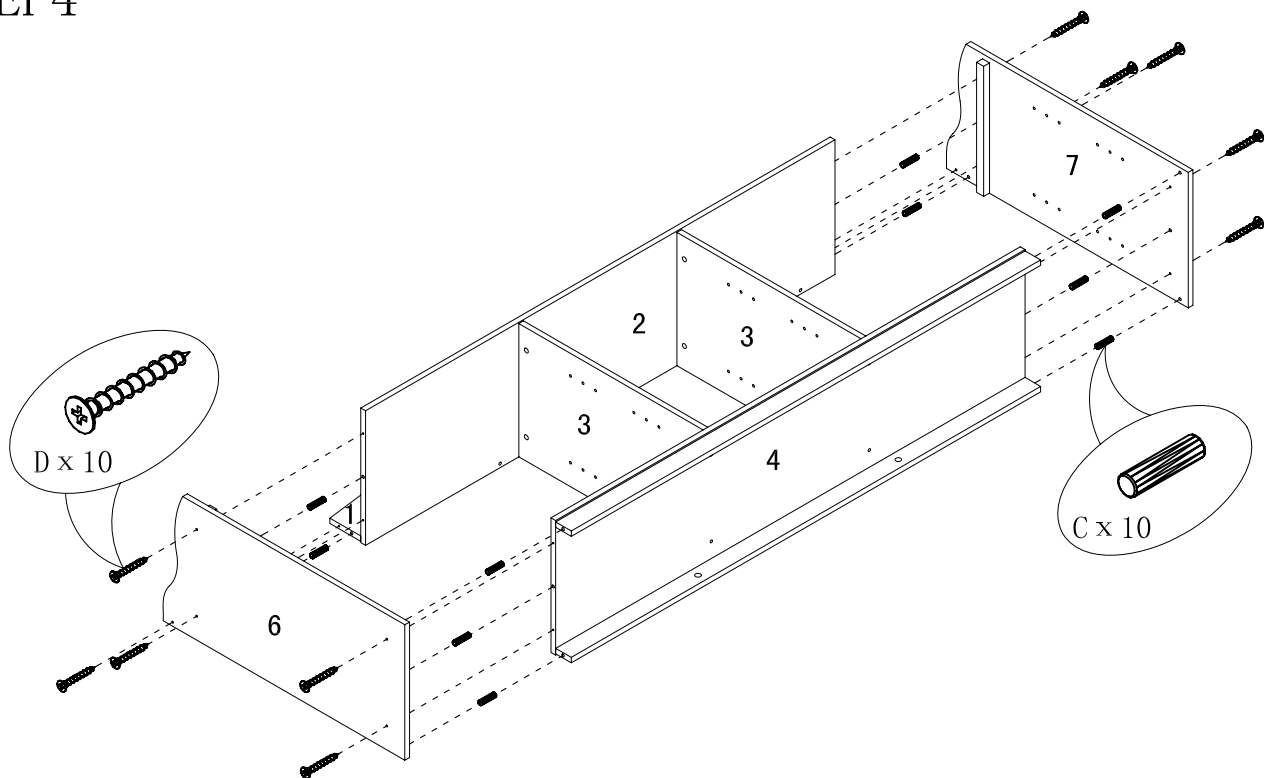


ASSEMBLY INSTRUCTION

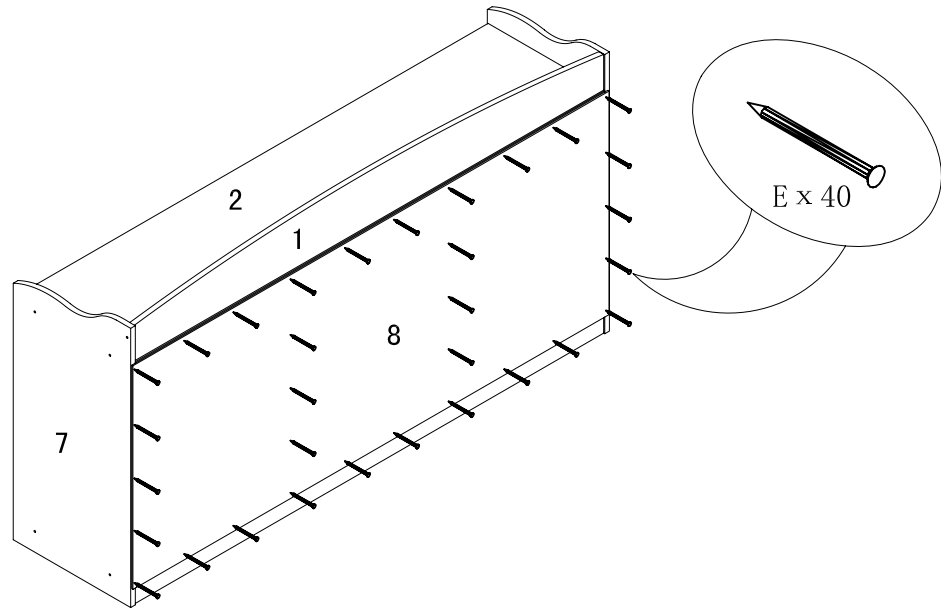


STEP3

STEP4



ASSEMBLY INSTRUCTION



STEP5

STEP6

