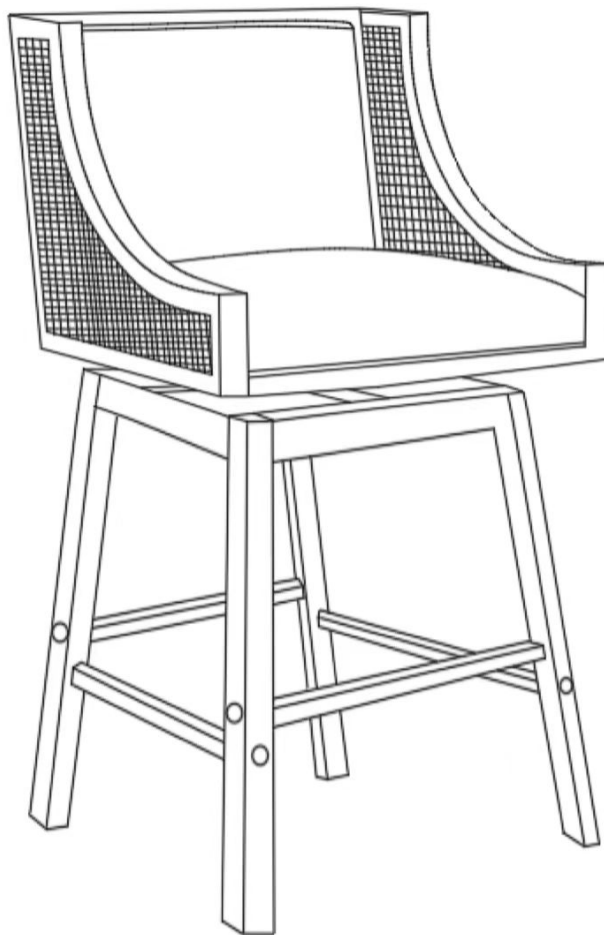


Designed for your house, a New Living Style.



USER MANUAL

Kitchen Bar & Counter Stools

SKU:HUSF-SBS1036BN

SKU:HUSF-SBS1036GY

Attention: This instruction contains important safety information, please carefully read it and keep it for future reference...

Follow Hausfame



No Need to Return !!!

If any problems occur, please reach out to us at **646-204-5003** or at **service@hausfame.com** for further assistance, clear pictures associated with your problems will contribute to a faster solution...

Welcome to visit our store and purchase our quality products!

Amazon store please search with



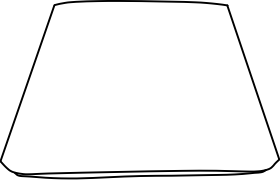
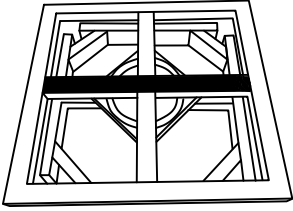
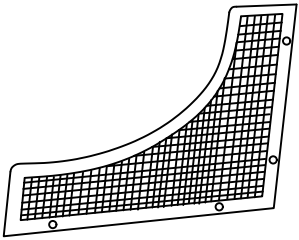
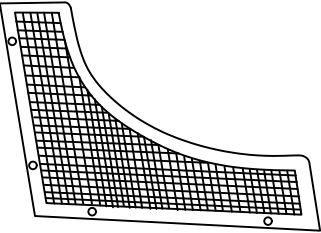
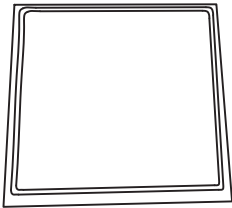

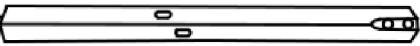
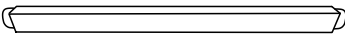
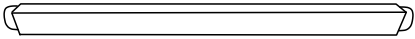
- **Hausfame** series cover a vast selection of furniture item spanning **Computer Desks, Side Tables, Garment Racks, Cabinets, Chairs, Bar Stools, Sofas, Ottomans, Bookshelves** and **Living Room Sets, etc**, all of which are geared towards addressing various tastes and budgets.
- It is our sincere hope that our furniture items could be acting as helpful companions in your life and work. We attach great importance to customer experience and promise to serve each consumer wholeheartedly by bringing them as much value as possible; whenever you are running into any problems while assembling or using our furniture items, please touch base with us, our Customer Service team is available to provide necessary assistance to address your needs and concerns.
- Thank you for your purchase, we are committed to providing you with high value and superior quality products characterized by sturdy build, user-friendly design and reasonable pricing.

Attention:

- Extra hardware parts and foot pads are provided for the purpose of possible repair or replacement in the future.
- In the process of assembly, be sure to keep all small parts in the package out of reach of babies and children, which pose a choking hazard if swallowed or inhaled; keep the packaging materials (film, plastic bags, foam, etc.) away from babies and children to avoid potential dangers of suffocation.
- Do not fully tighten any screw until all screws are aligned with their corresponding holes.
- Two persons are required for the assembly; for the purpose of a time-saving and hassle-free assembly, please act in compliance with the step-by-step instructions.
- The seller bears no responsibility and/or liability for any personal injury and/or property damage arising from improper use or incorrect assembly .
- During the assembly, please be wary of sharp corners of the wooden panel or the metal frame, it is commended to wear a pair of gloves when you come into contact with these parts.
- Any unauthorized modification to this item will void its warranty.


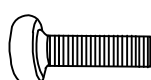

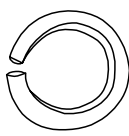
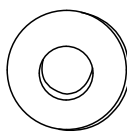
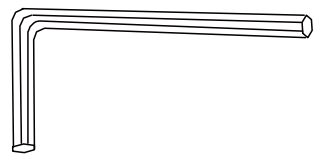

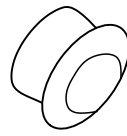
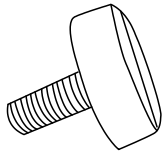
Parts List

Prior to assembly, check to see if all parts and hardware are included as follows, should any part be found missing or defective, please reach out to our customer service for further assistance.

<p>Ax1</p>  <p>Seat Cushion</p>	<p>Bx1</p>  <p>Seat Frame</p>	<p>C1x1</p>  <p>Left Arm</p>
<p>C2x1</p>  <p>Right Arm</p>	<p>Dx1</p>  <p>Back</p>	<p>Ex2</p>  <p>Legs</p>
<p>Fx2</p>  <p>Legs</p>	<p>Gx2</p>  <p>Front/Rear Stretcher</p>	<p>Hx2</p>  <p>Side Stretcher</p>

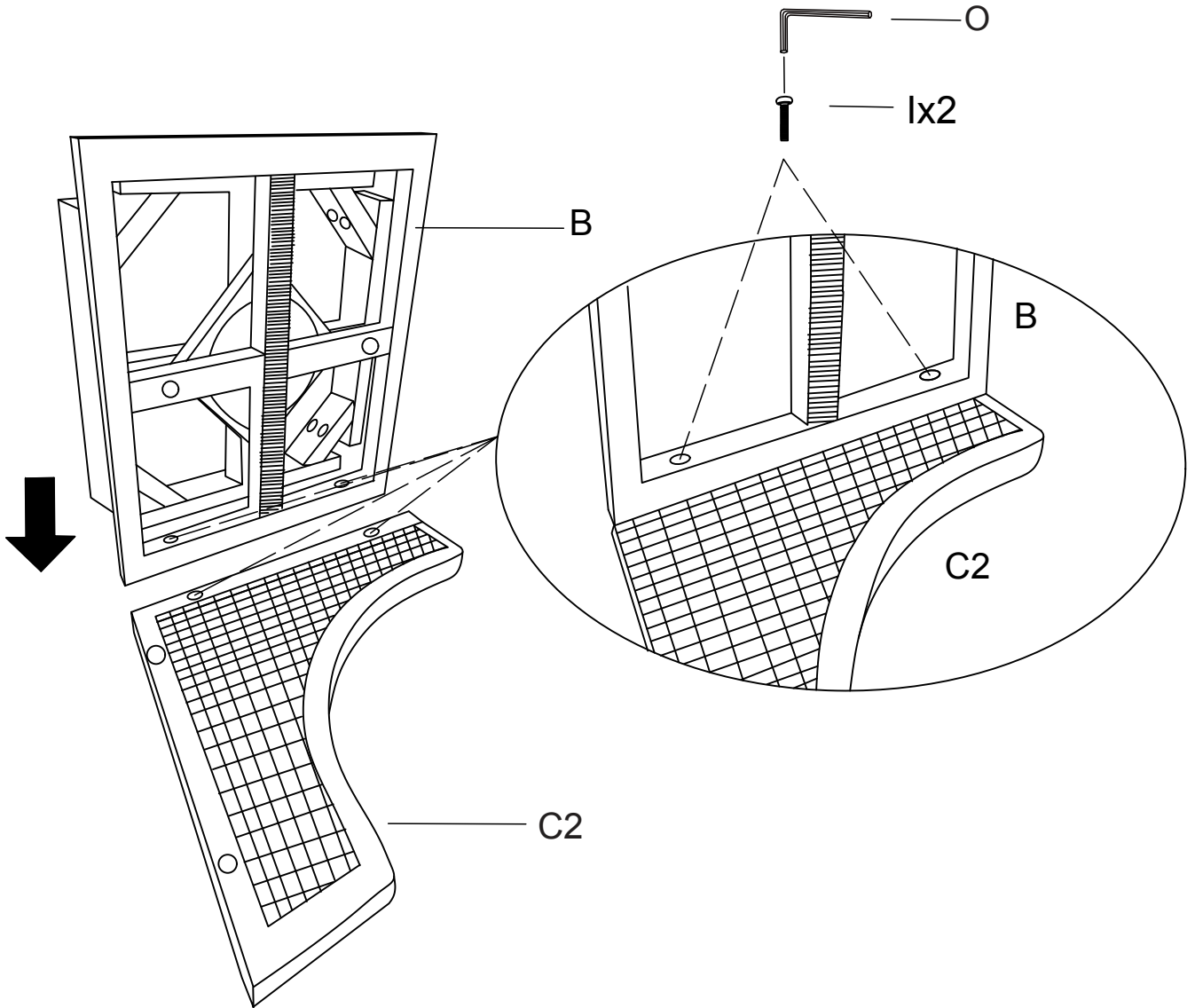
Parts List

Prior to assembly, check to see if all parts and hardware are included as follows, should any part be found missing or defective, please reach out to our customer service for further assistance.

<p>Ix10</p>  <p>M6x40 Screws</p>	<p>Jx8</p>  <p>M6x35 Screws</p>	<p>Kx8</p>  <p>M8x60 Screws</p>
<p>Lx8</p>  <p>φ8-12 Lock Washer</p>	<p>Mx8</p>  <p>φ8-22 Flat Washer</p>	<p>Nx1</p>  <p>M8 Allen Wrench</p>
<p>Ox1</p>  <p>M5 Allen Wrench</p>	<p>Px8</p>  <p>Plug</p>	<p>Qx4</p>  <p>Adjustable Foot Glide</p>

Assembly Steps

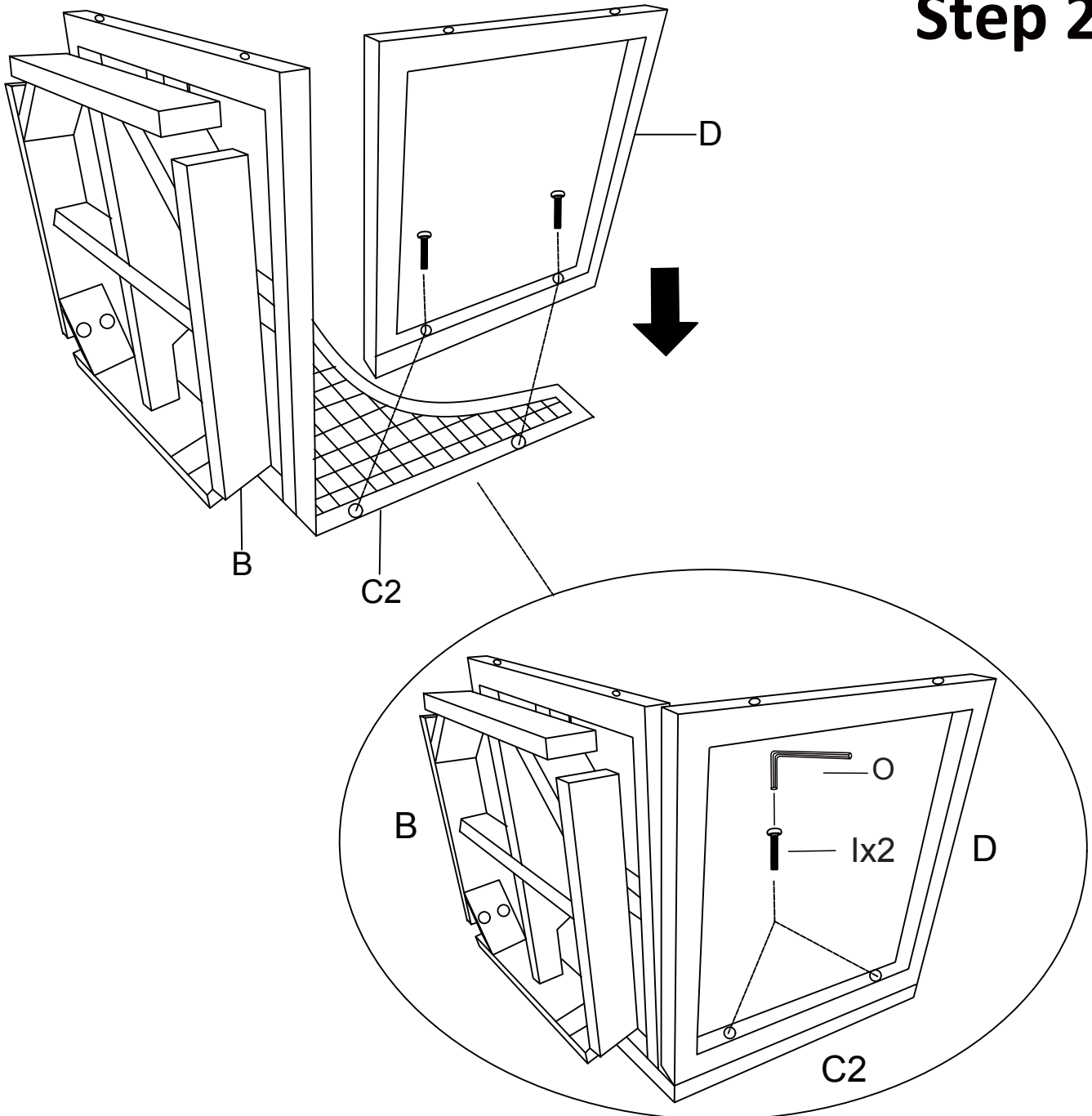
Step 1



- Assemble Seat Frame B with Left Arm C2. Align the holes on Seat Frame B with the holes on Left Arm C2. Secured with screws I and Allen Wrench O. Lightly tighten the screws.

Assembly Steps

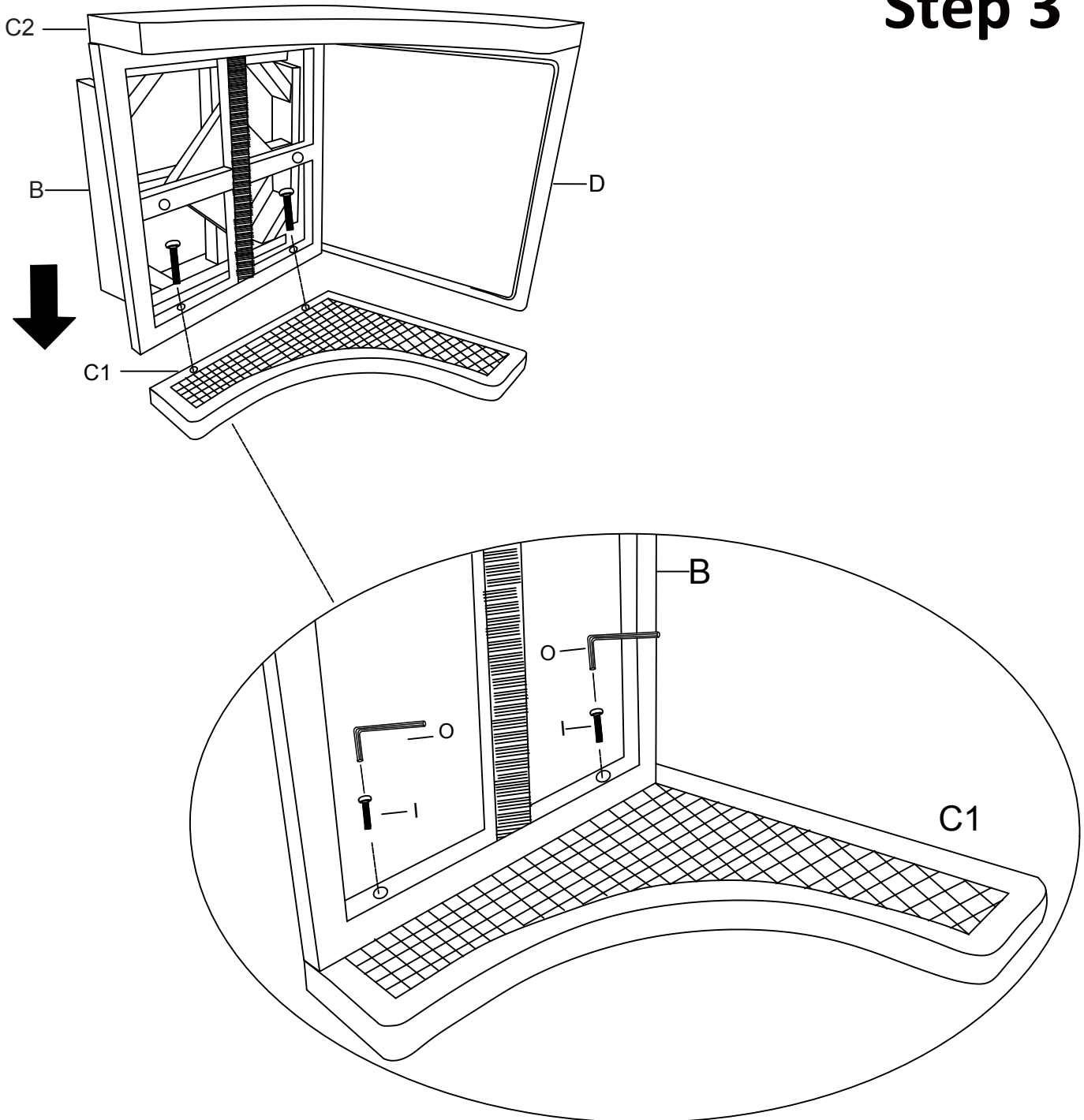
Step 2



- Assemble Back D and left Arm C2. Align the holes on Back D with the holes on Left Arm C2. Secured with Screws I and Allen Wrench O. Lightly tighten the screws.

Assembly Steps

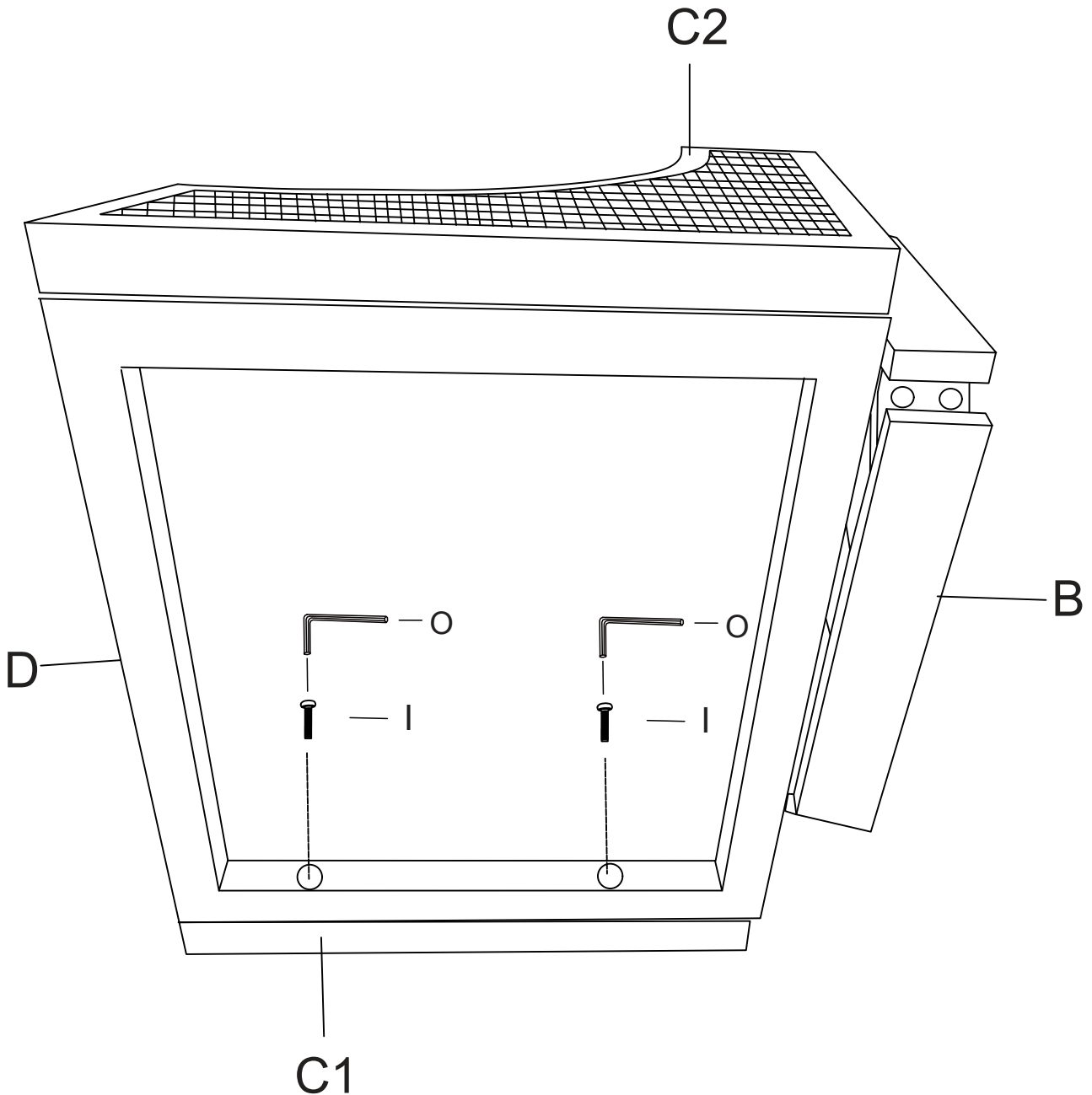
Step 3



- Assemble Right Arm C1 with Seat Frame B. Align the holes on Seat Frame B with the holes on Right Arm C1. Secured the Screws I and Allen Wrench O. Lightly tighten the Screws.

Assembly Steps

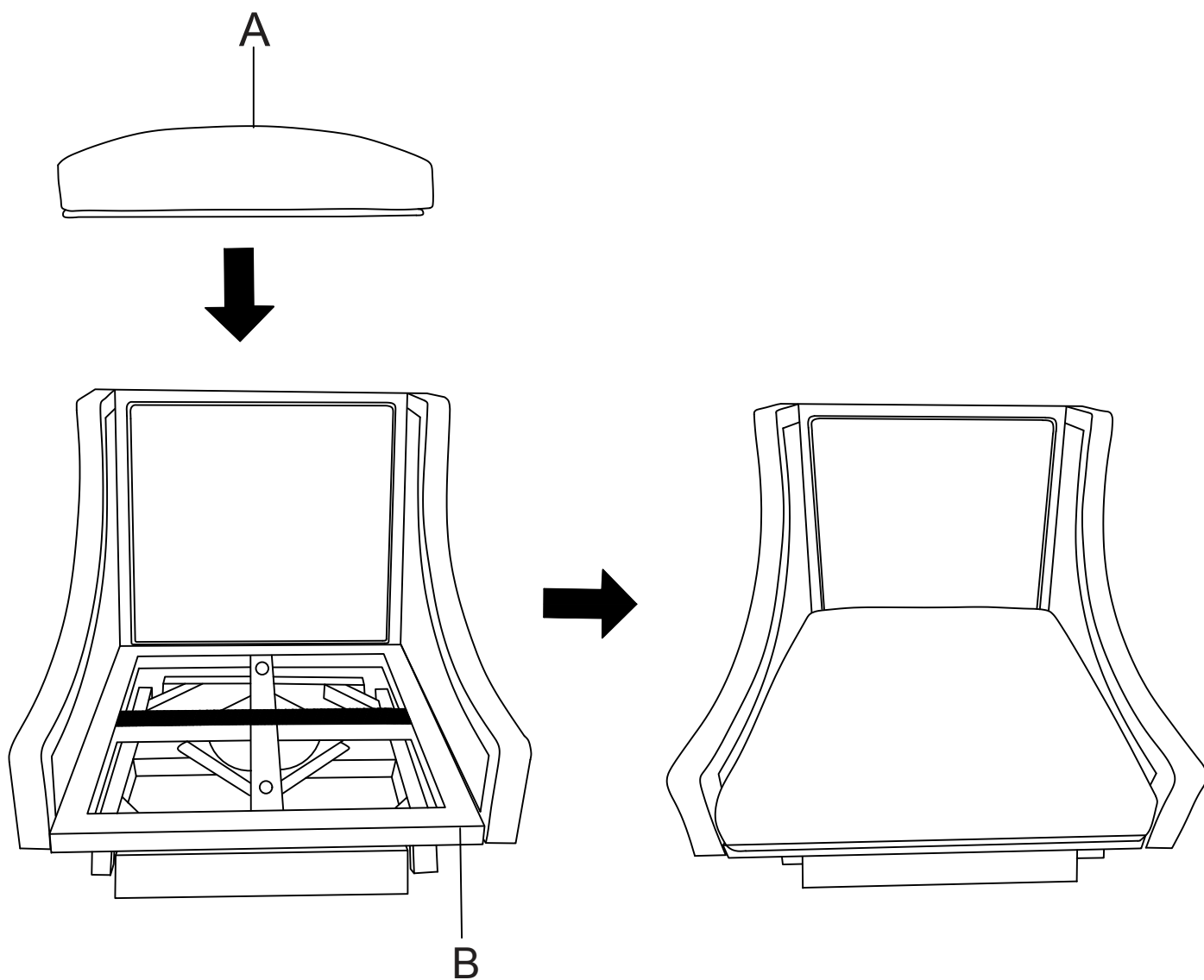
Step 4



- Align the holes on Right Arm C1 with holes on Back D. Secured with Screws I and Allen Wrench O. Tighten all the screws in this step and in previous steps.

Assembly Steps

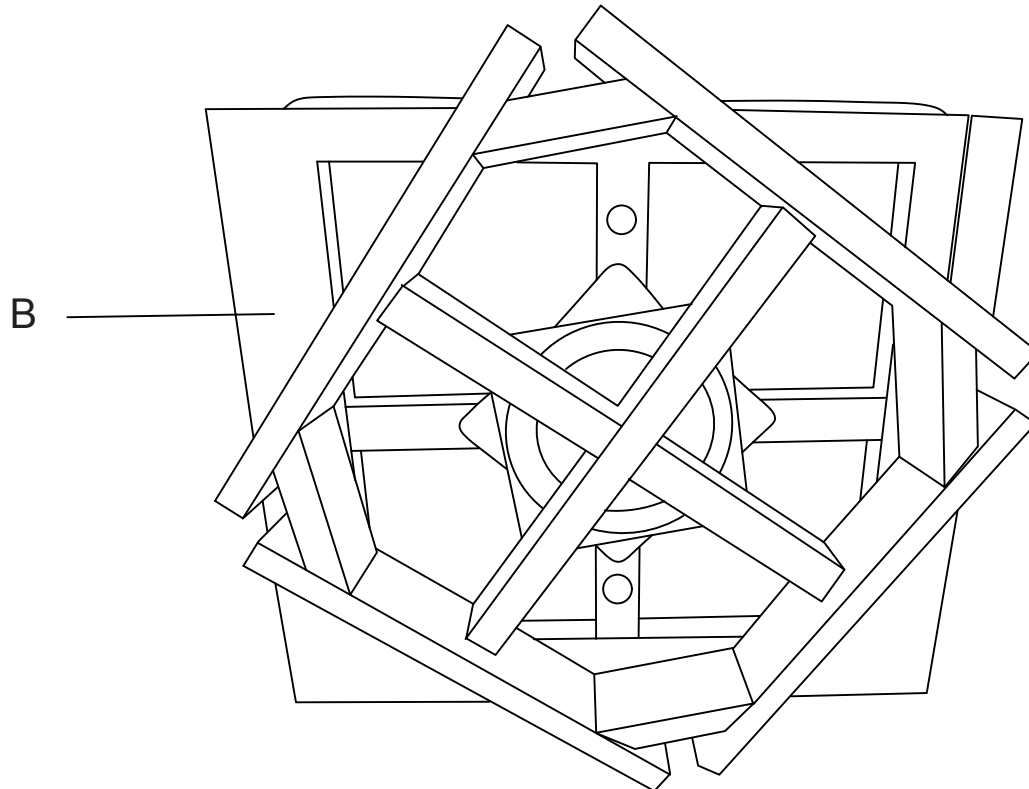
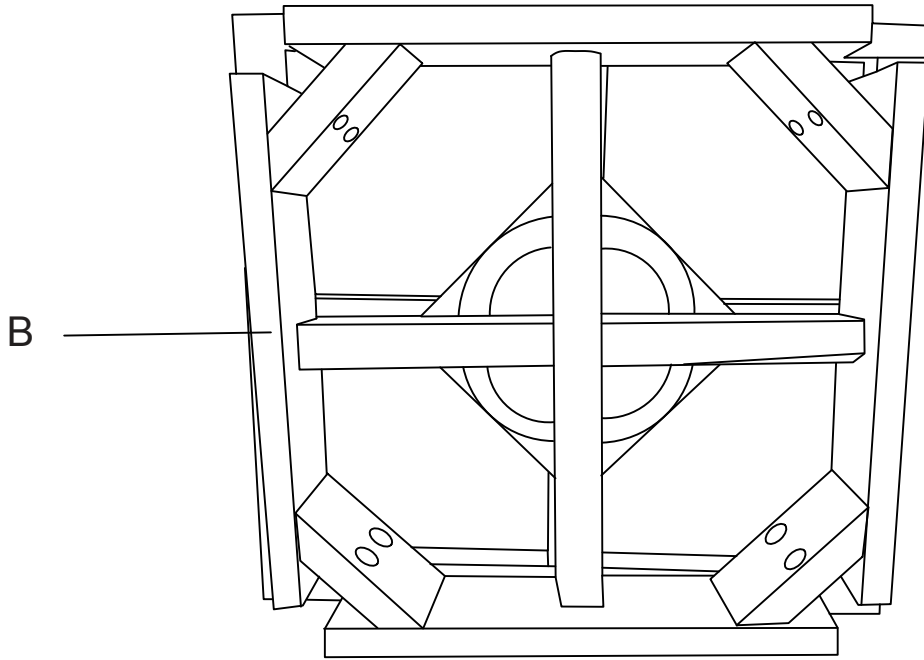
Step 5



- Put the Seat Cushion A on the Seat Frame B, Please note that the piping side of the cushion facing forward.

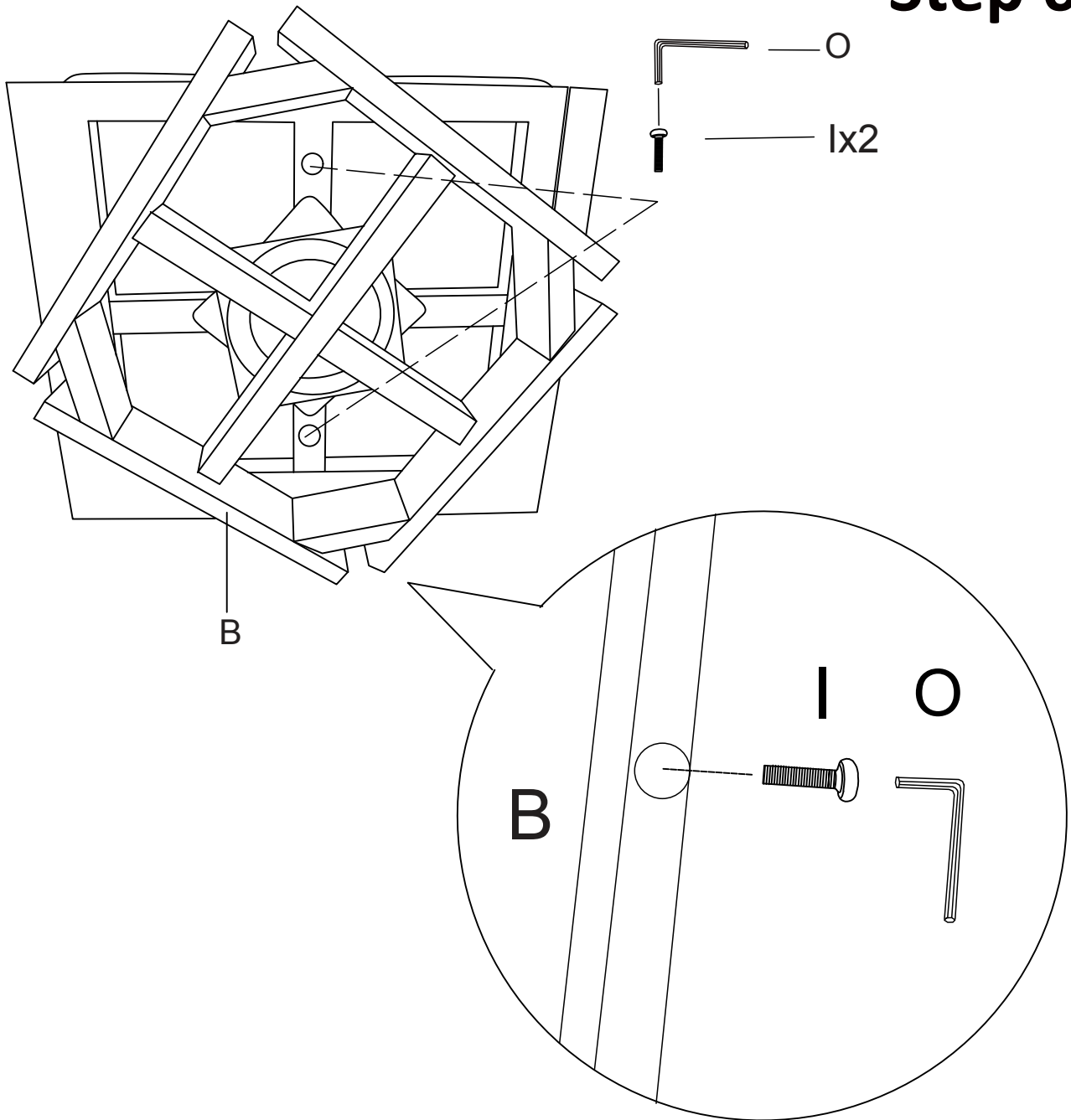
Assembly Steps

Step 6-1



Assembly Steps

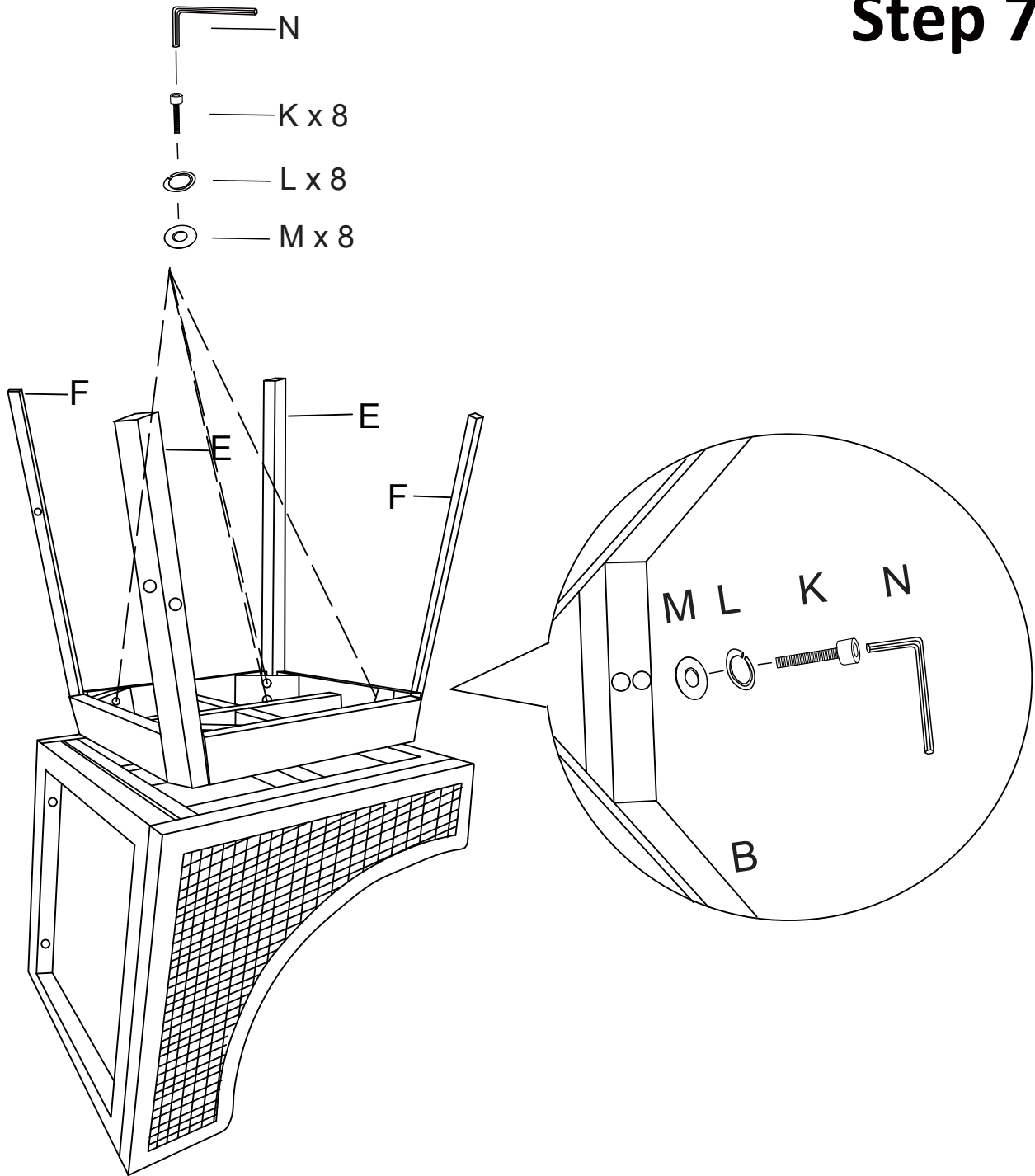
Step 6-2



- Secured the Seat Cushion A with Seat Frame B. Align the holes on Seat Frame B with the holes on bottom of Seat Cushion A and secured with Screws I and Allen Wrench. Tighten screws.

Assembly Steps

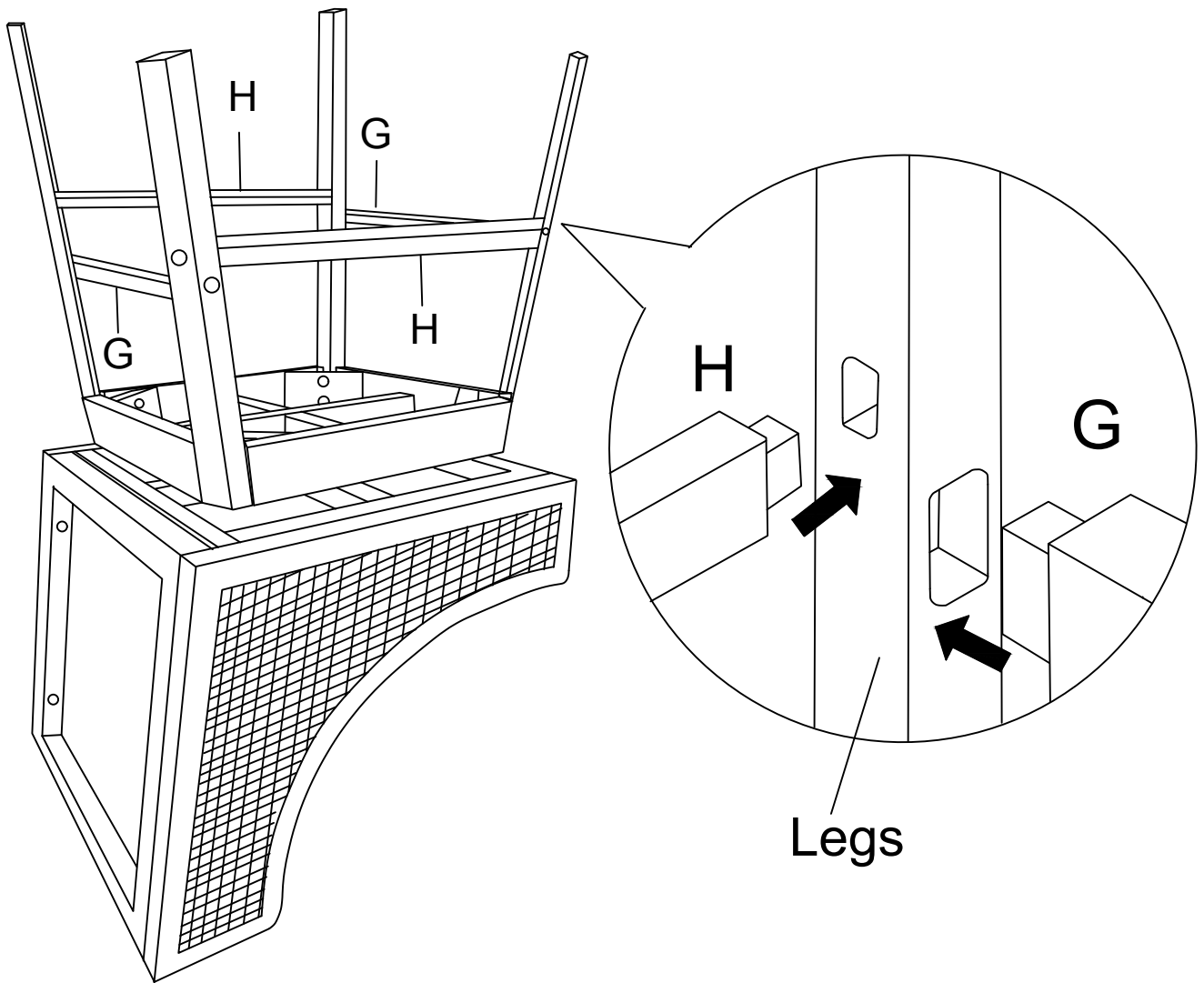
Step 7



- Assemble legs E&F to Seat Frame B. Align the holes on legs E&F with the holes on the orner blocks on Seat Frame B. Secured with Screws K, Spring Washer L, Flat Washer M and Allen Wrench N. Lightly tighten the screws.

Assembly Steps

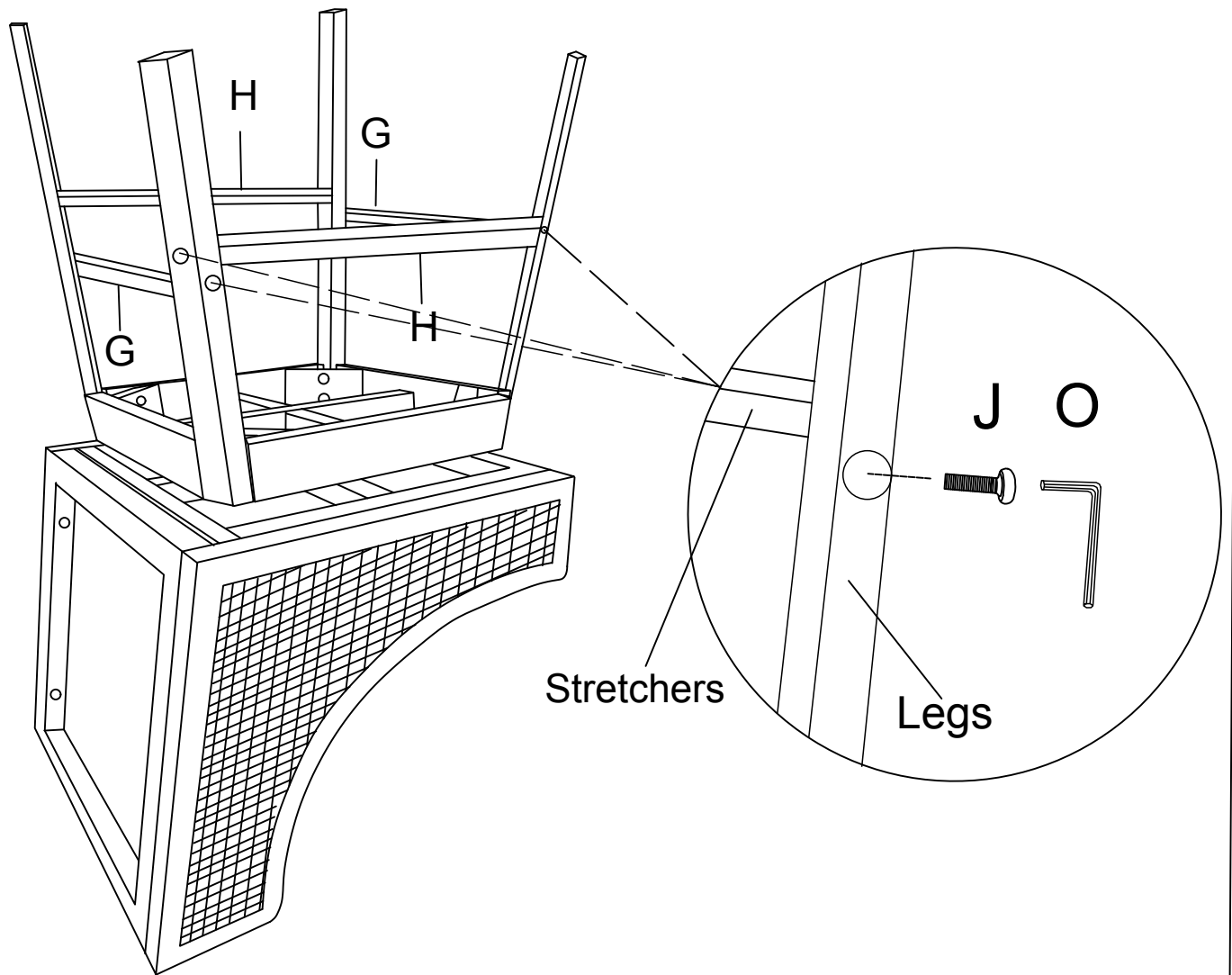
Step 8



- Assemble Stretcher G and H.

Assembly Steps

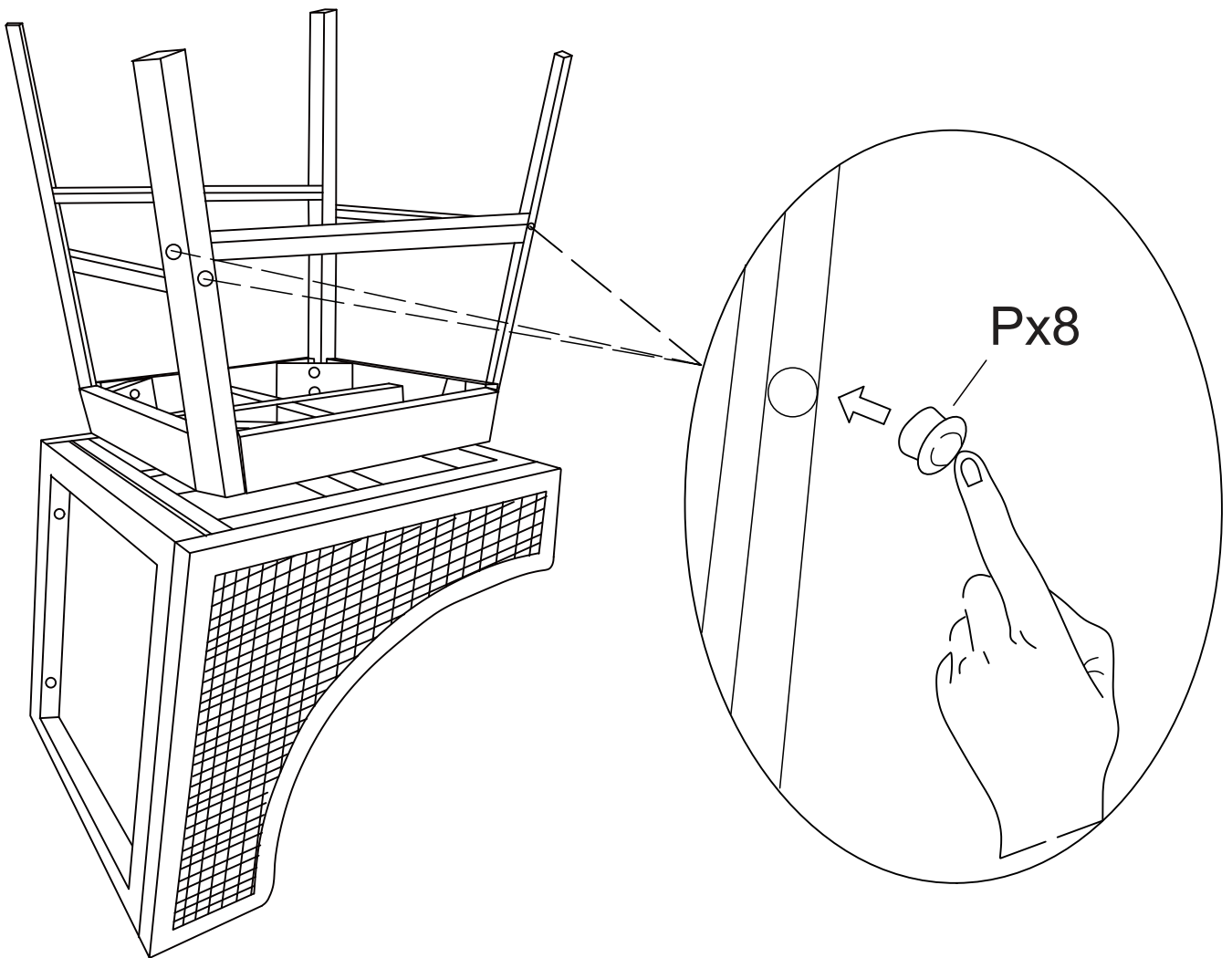
Step 9



- Assemble Stretchers G&H to legs E&F, Secured with Screws J and Allen Wrench O. Tighten the screws.

Assembly Steps

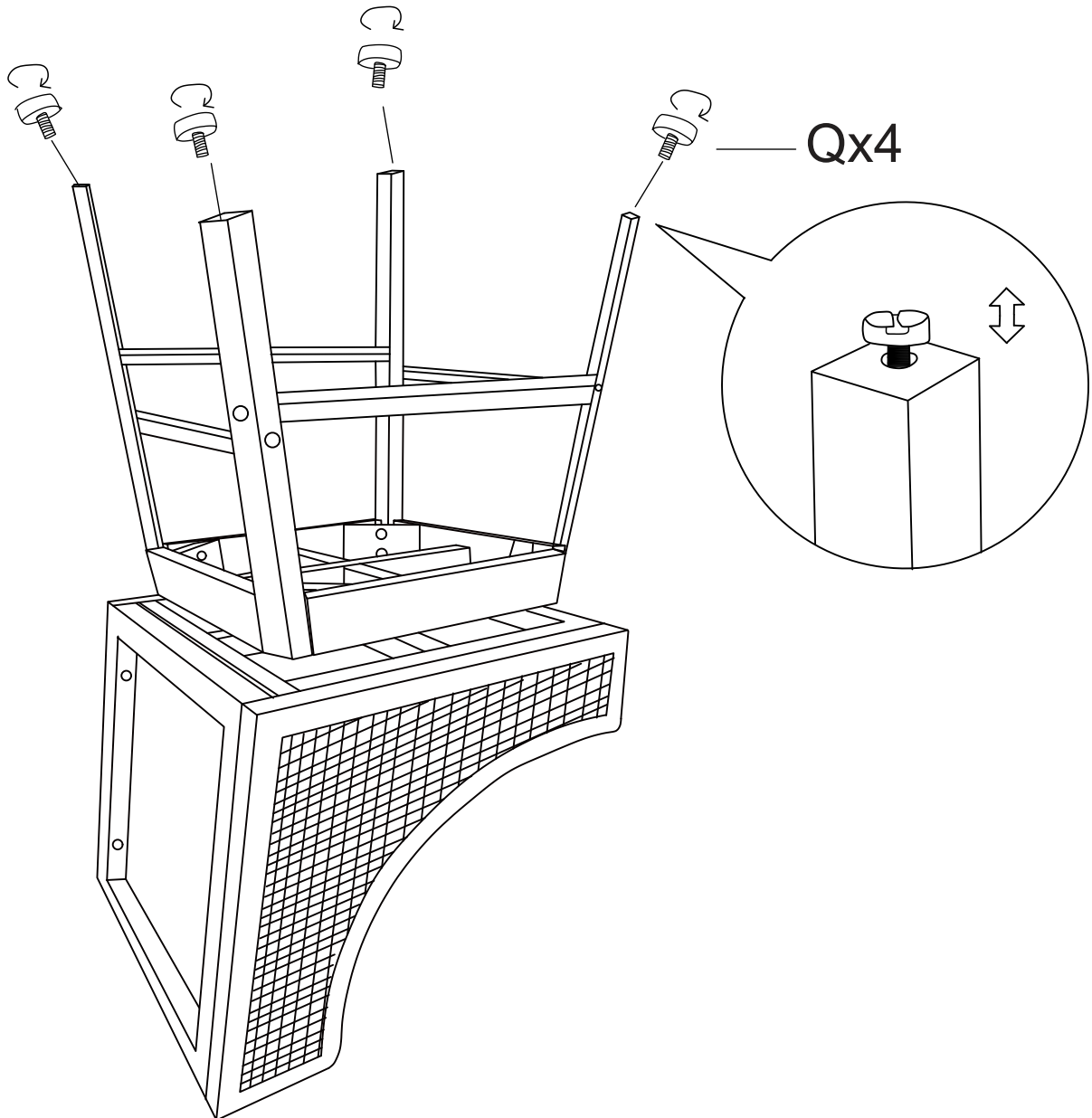
Step 10



- Insert the Plugs P into the holes.

Assembly Steps

Step 11

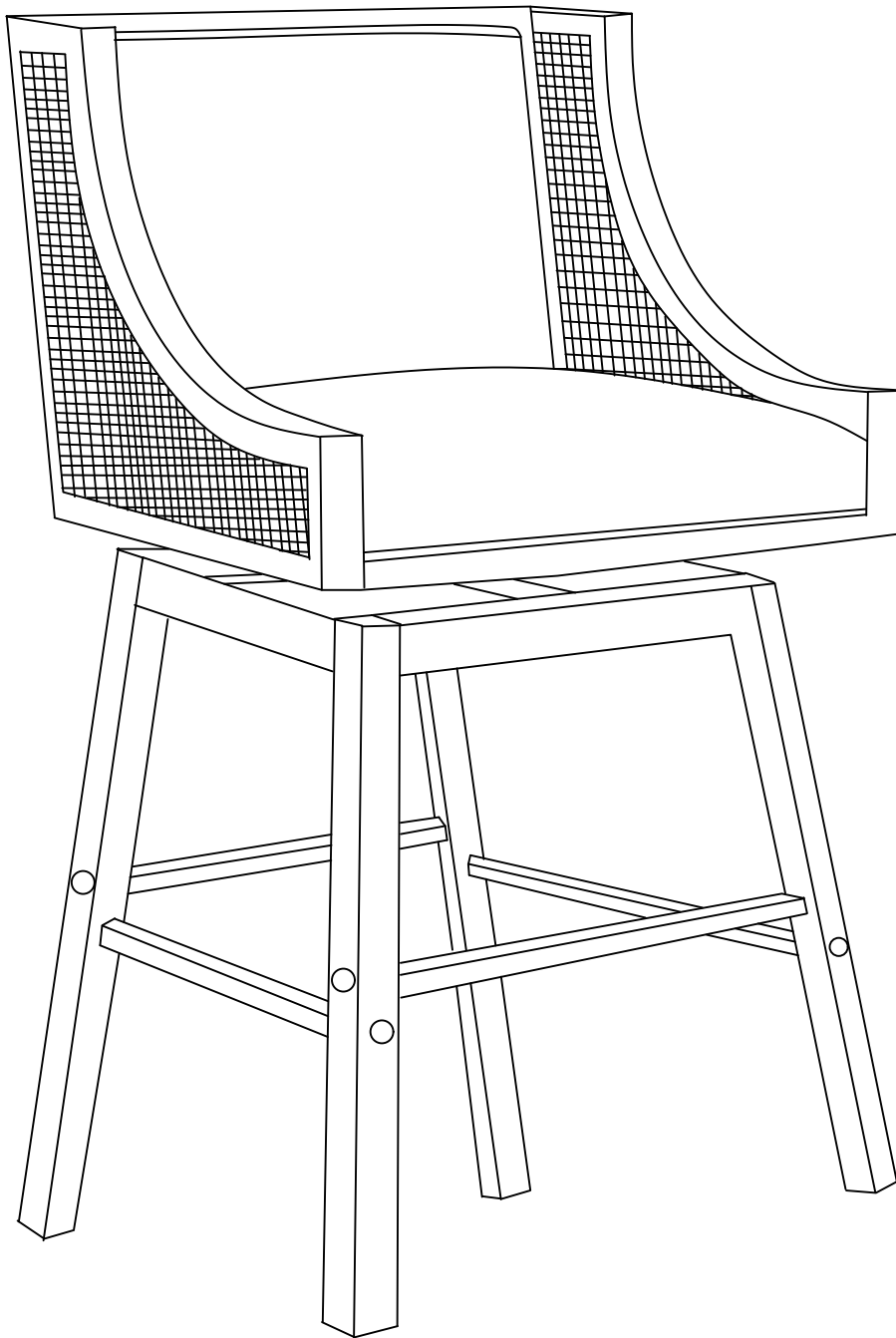


- Put the Adjustable Glide Q on the legs by clockwise. You can level the chair through adjustable glide.

Assembly Steps

Step 11

Fully Assembly



Designed for your house, a New Living Style.

CUSTOMER SERVICE

Contact Us: 646-204-5003

9:00 am-5:00 pm (Pacific Time)

Monday through Friday

