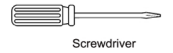
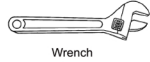
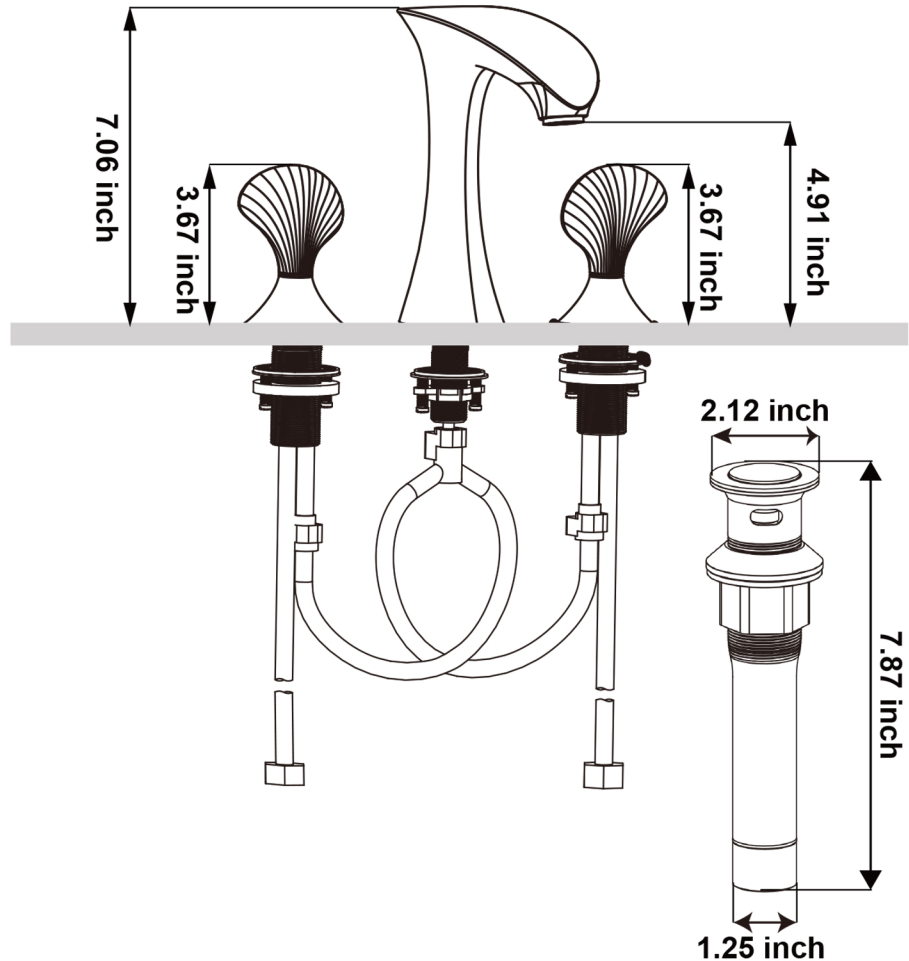
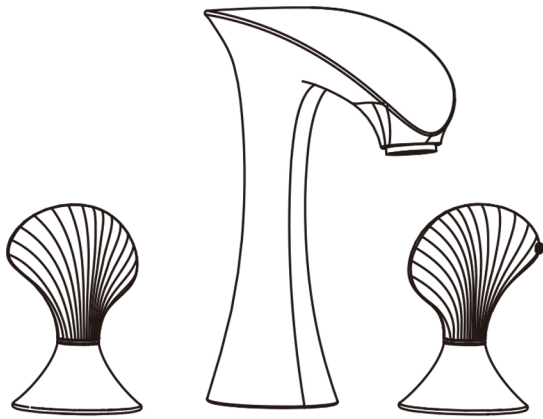


You May Need



Widespread Bathroom Faucet

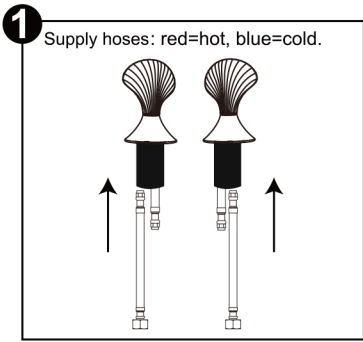


Before Installation

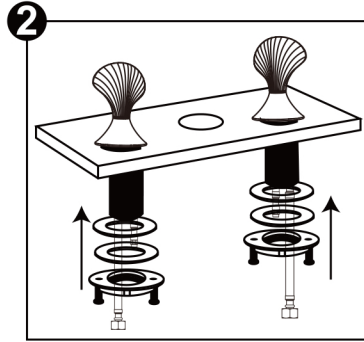
- A** - Make sure you have all necessary parts by checking the diagram.
- B** - Turn off the water supply valve.
- C** - Clean the sink or countertop.
- D** - Confirm the faucet size whether apply for your sink or counter top.
- E** - If you need return the faucet set, please repackage as when you received, do not miss any component, damage products or package. Thank you.

<p>1-2</p> <p>Faucet body</p> <p>Handle x 2</p>	<p>3</p> <p>Rubber washer x 3</p>	<p>4</p> <p>Metal washer x 3</p>	<p>5</p> <p>Mounting nut (gold) x 2</p>	<p>9</p> <p>Supply hoses</p>	<p>10</p> <p>Quick connect faucet water supply lines</p>
	<p>6</p> <p>Mounting nut (gold)</p>	<p>7</p> <p>Mount screws x 6</p>	<p>8</p> <p>Glove</p>		<p>11</p> <p>Drain</p>

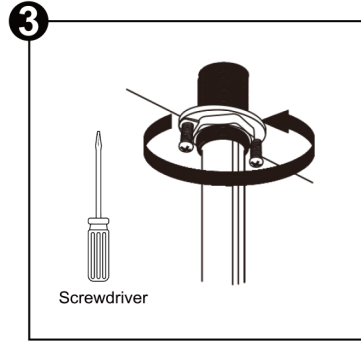
Installation Steps



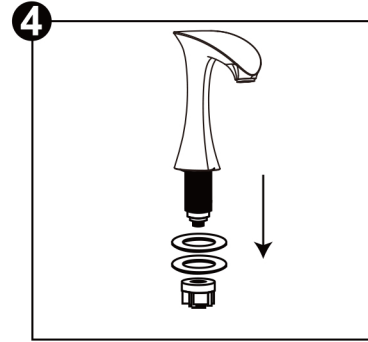
Remove the mounting nut, rubber washer and metal washer from the handles. Screw supply hoses into the handles and tighten.



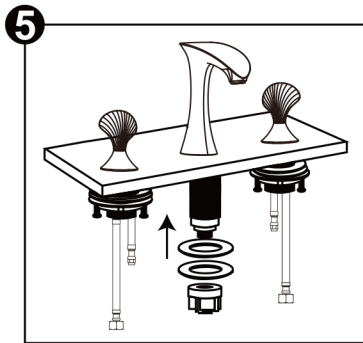
Insert the handles into the sink holes. Then slide the rubber washer, metal washer, and mounting nut (gold) onto the threaded pipe. (NOTE: hot water handle is on the left.)



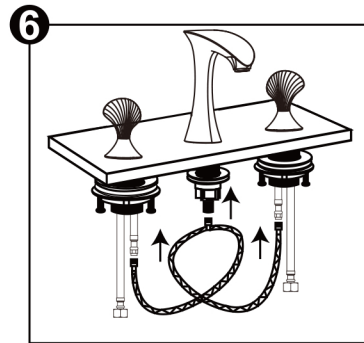
Adjust the handles correctly, then tighten the screws on the mounting nut (gold). (NOTE: Do not over-tighten the screws.)



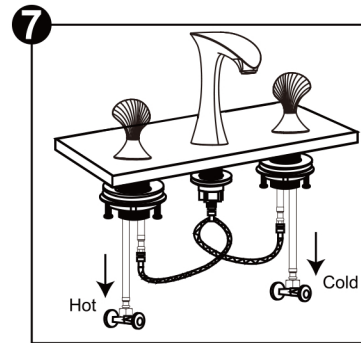
Remove the mounting nut, metal washer and the rubber washer from the faucet body. Insert the faucet body into center hole of the sink.



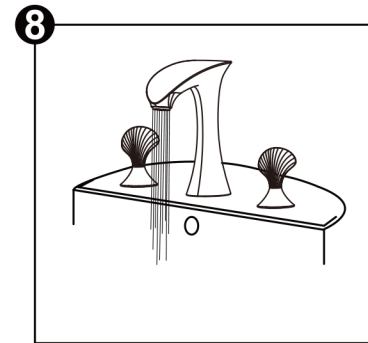
Install the rubber washer and metal washer back onto the threaded pipe. Adjust the faucet body, then tighten the mounting nut (white).



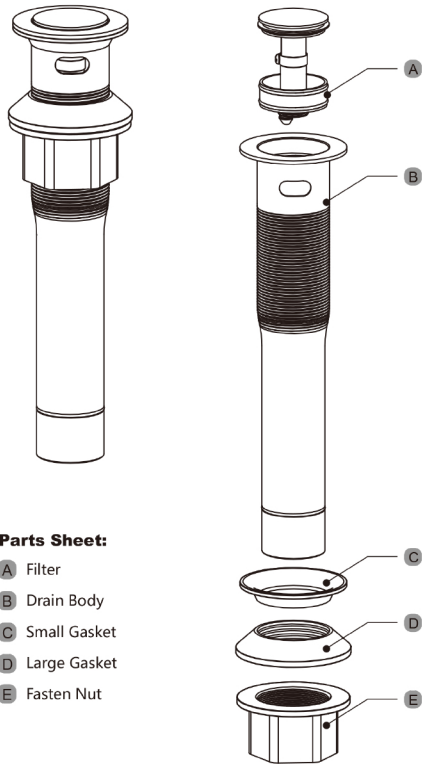
Connect the spout hose and handles with the quick-connect water supply lines. Confirm Y pipe assembled well as hear sound "Clicking" and can't pull it off.



Connect the hot/cold supply line to the water supply valves. Turn on the water supply valves, and check all connections for a leak.

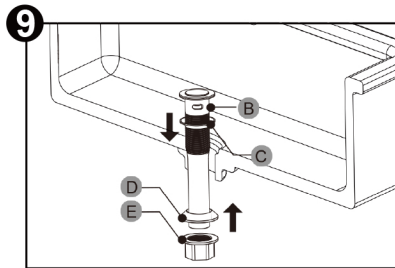


The installation of the faucet is complete. For details on the installation of the drain, see steps 9-12..

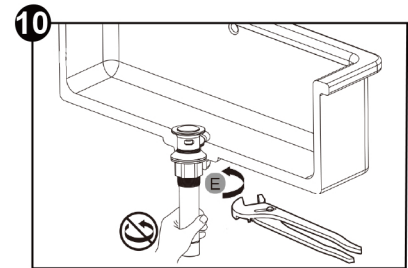


Parts Sheet:

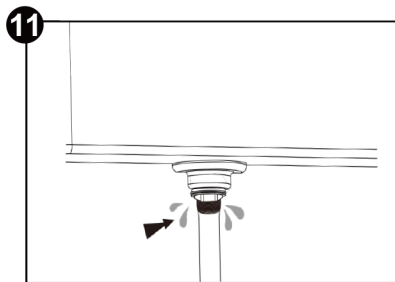
- A Filter
- B Drain Body
- C Small Gasket
- D Large Gasket
- E Fasten Nut



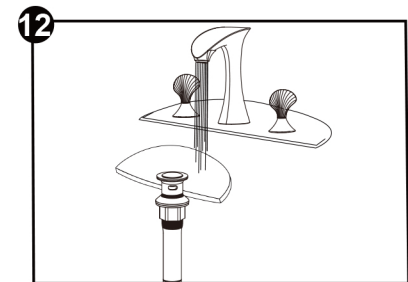
Step 9: Assemble & Position
Remove components D (Large Gasket) and E (Fasten Nut). Insert the drain pipe into the sink's drain hole. Ensure the small gasket C fits tightly with the drain body B inside the sink, while D and E are placed below the sink.



Step 10: Secure the Nut
Tighten the fasten nut E using pliers or a wrench to ensure a firm fit.



Step 11: Seal Check & Handling
Check for leaks below the sink. If leaks occur, apply silicone sealant, then proceed to Steps 6-7 for final sealing and completion.



Step 12: Check and Run Water
Check to make sure that both handles and the spout are tight. Slowly open one water inlet valve and check for leaks; if no leaks, open the valve all the way. Slowly open the other water inlet valve and check for leaks; if no leaks, open the valve all the way.

Installation Tips

This pop-up drain is compatible with sinks with or without overflow holes. Ensure the drain's overflow hole aligns precisely with the sink's overflow hole during installation.

NOTICE

If a leak is spotted, close the valve and remove the water line, along with the plumber's tape on the threads. Then re-tape the threads and connect the water line. Repeat the procedure.

While the water is running, check for leaks on the bottom of the sink.