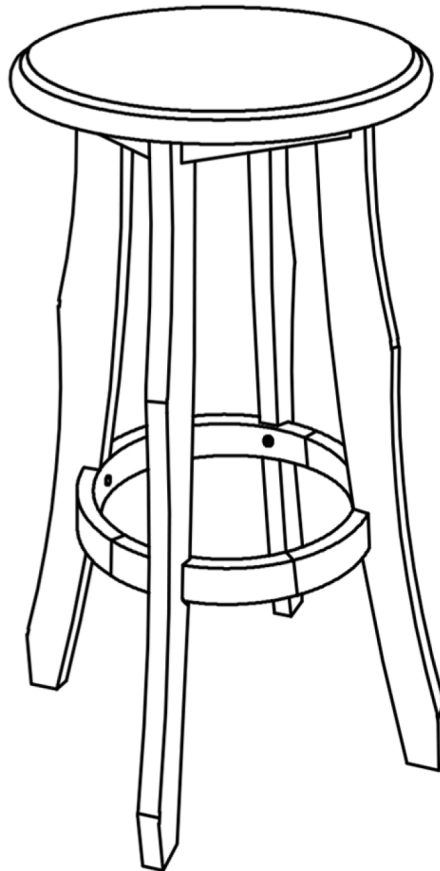


Assembly Instructions

Caution : You must read this before you proceed

Please look in the seat panel for hardware packs.

BARSTOOL

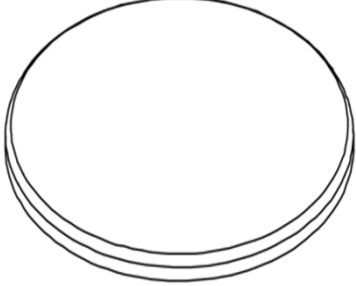
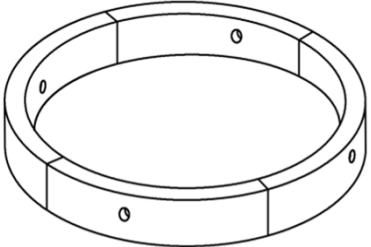
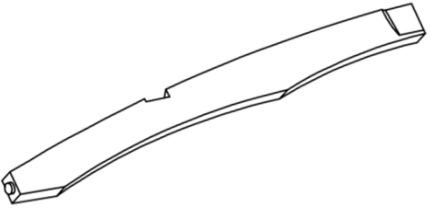


CAUTION : This Barstool is NOT a TOY.


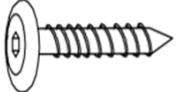


Keep your child / children at bay during the assembly process.

For moving the Barstool and to prevent damage to the Barstool two adults are needed to execute this action.

Parts List

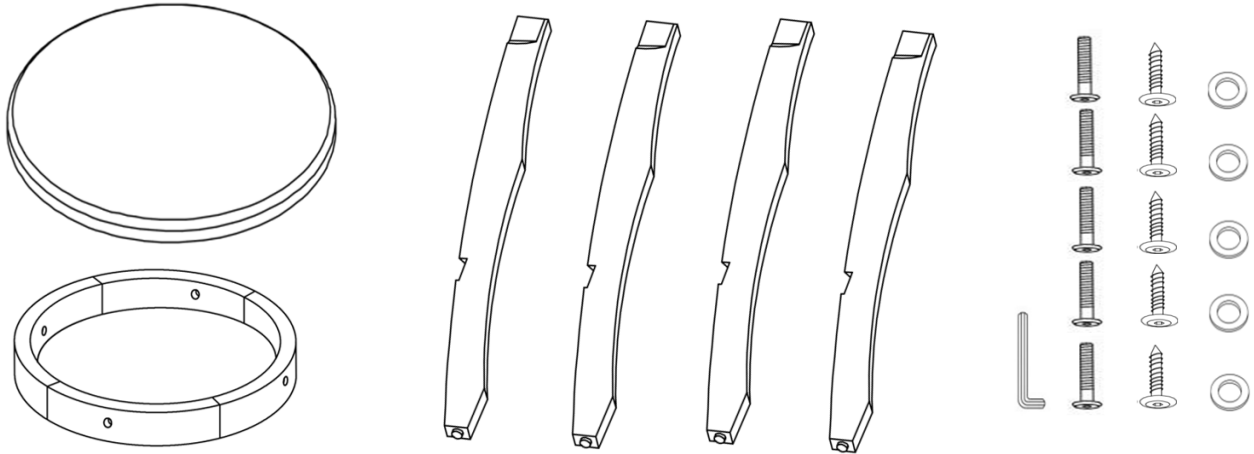
Label	Picture	Description	QTY
A		Seat panel	1
B		Foot support frame	1
C		Leg	4

Hardware

Label	Picture	Description	QTY
①		Bolt (M6x45mm)	5
②		Screw(M6x40mm)	5
③		Flat Washer (M6.5/18x2mm)	5
④		Allen key	1

Assembly Preparation

Before Beginning Assembly:



- Read instructions, cover to cover-



- Have 2 adults on hand for assembly-



- Do not assemble on flooring or carpet-



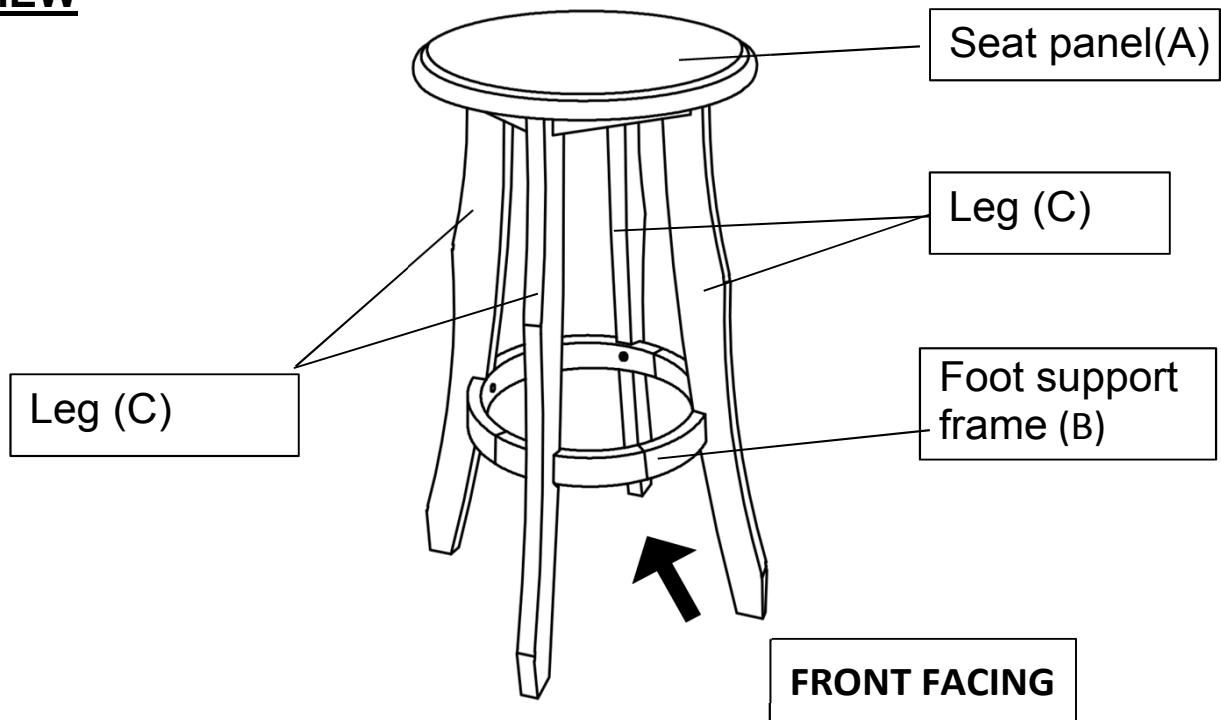
- Assemble on a clean non-marring surface (packing foam)-



- Save all packaging until finished-

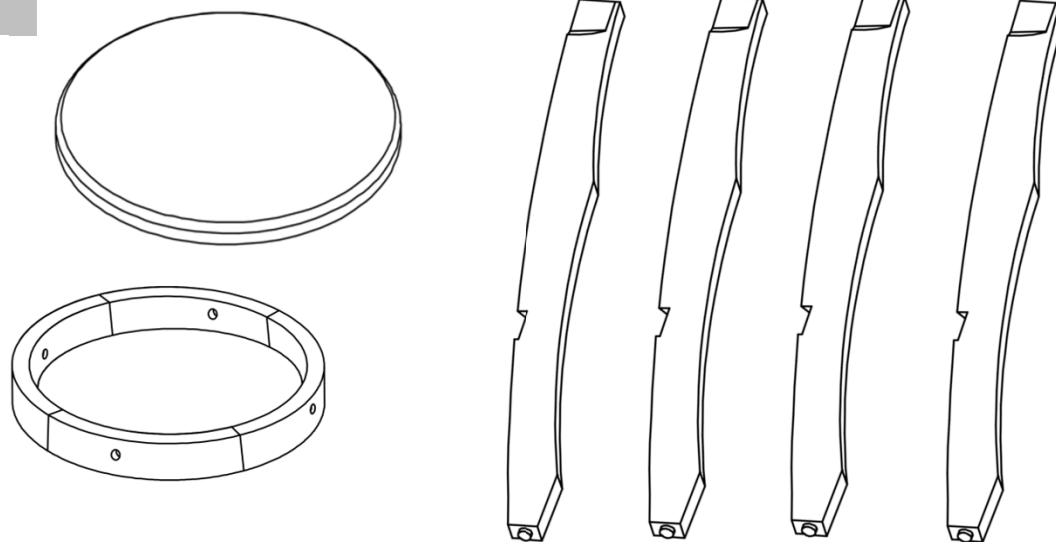
Assembly Steps

OVERVIEW



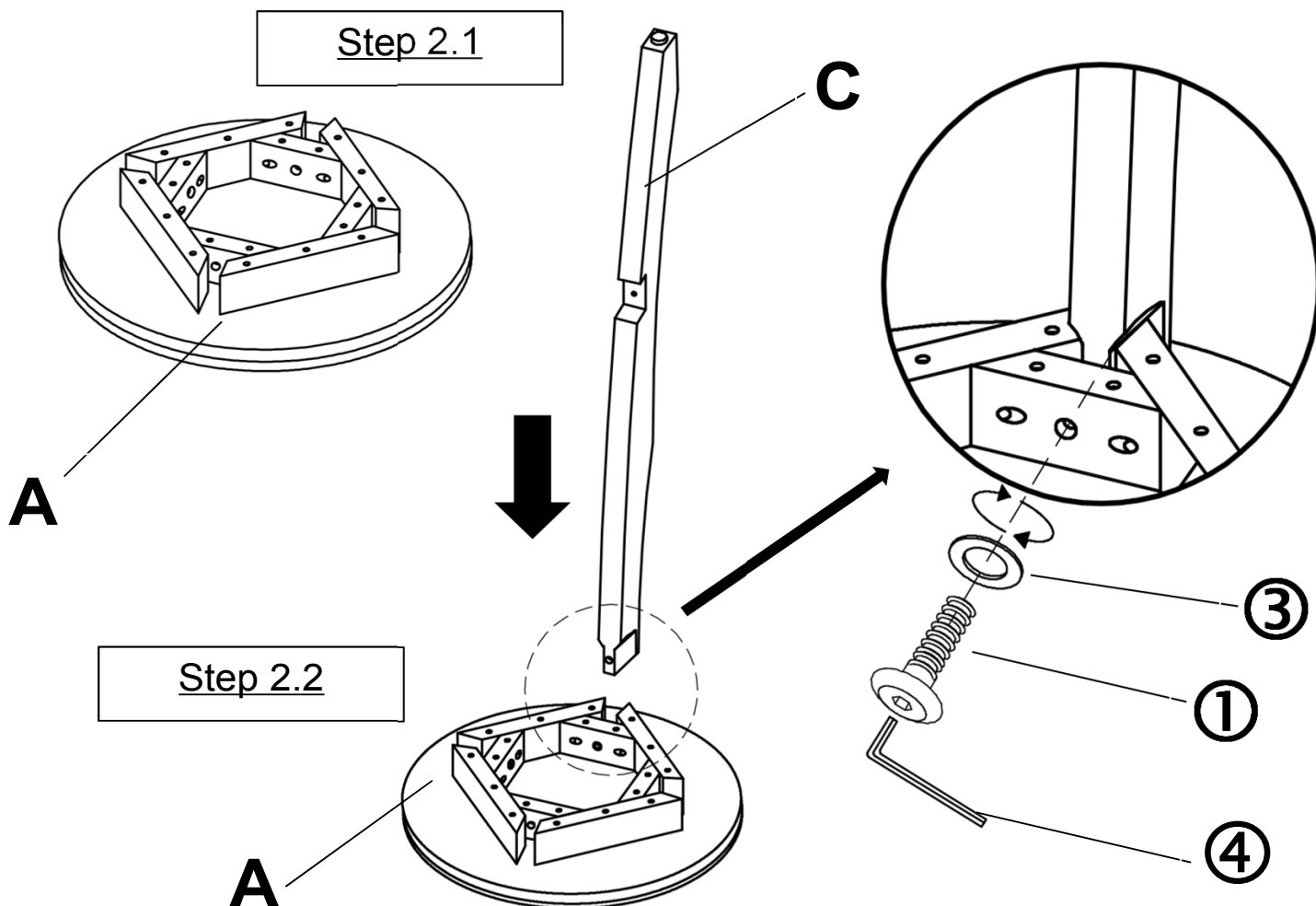
This Barstool has multiple parts and may require up to 30 minutes to assemble. To give you an overview of the barstool parts, the above picture is to help you put the various parts into perspective. Please read through the instructions below to familiarise yourself with the parts and steps before assembly.

Step 1



Unpack and place all parts on a clean, non-marring surface.

Step 2



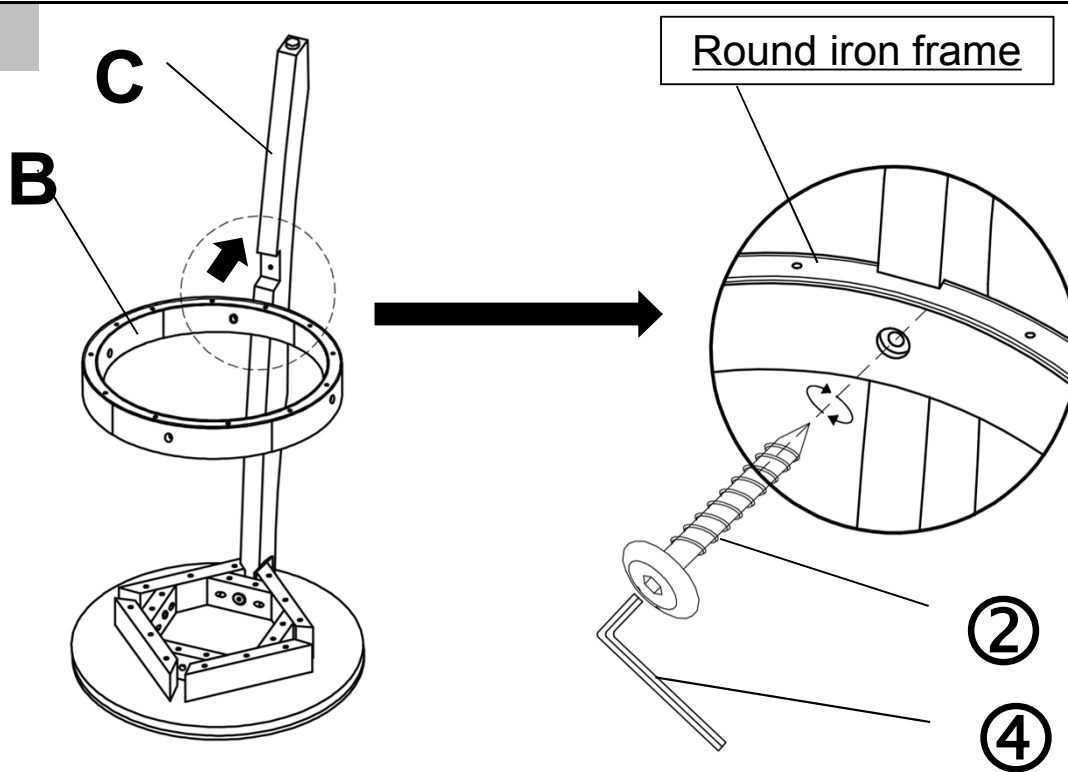
2.1. Turn the Seat panel (A) facedown onto a clean, flat surface to avoid any scratches or damage to the product.

2.2. Insert leg (C) into the seat panel (A), put the flat washer (③) and bolt (①) as above picture.

Affix leg (C) and seat panel (A) by using Allen key (④).

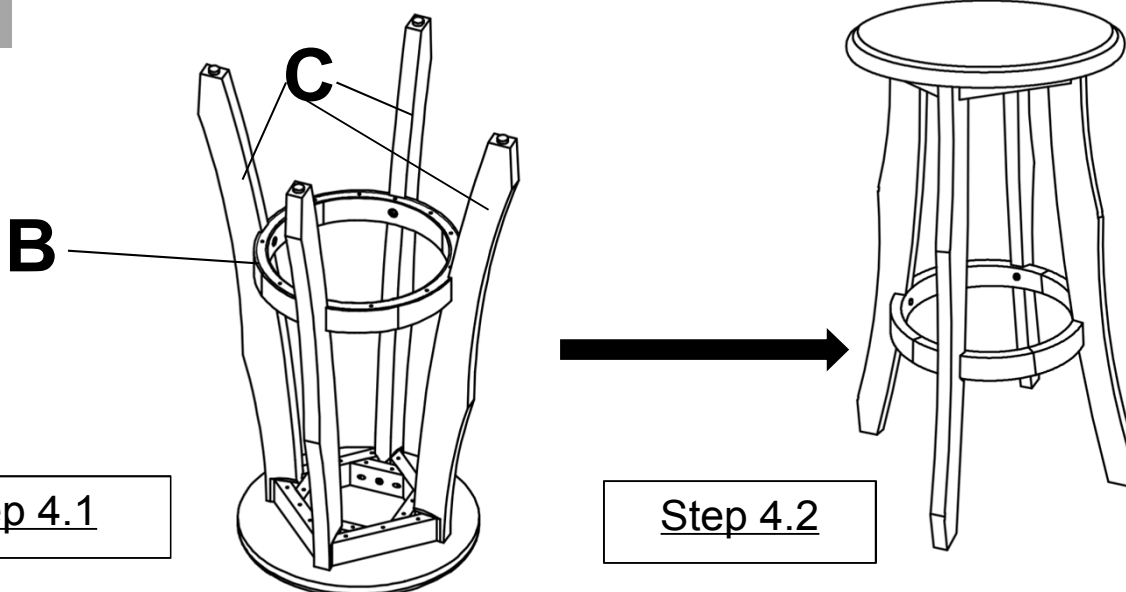
Do not fully tighten the Bolts.

Step 3



Insert Foot support frame (B) into the leg (C), using screw (②) as above picture. Affix Foot support frame (B) and leg (C) by using Allen key (④).
Do not fully tighten the Bolts.

Step 4



4.1. Repeat step 2.2 and step 3 for 3 other legs (C).

4.2. Turn the Barstool back to normal flat ground

EXERT pressure, floorwards, onto the barstool

This pressure will help the Legs and Seat panel reach alignment at all joints.

Check for wobbles.










In a sequential manner, gradually tighten all Bolts and screws until evenly secured.

Inspect the barstool and make sure all parts are adequately connected.

Your barstool is ready for use.

This barstool can only be used on a flat, level surface.

Care & Maintenance

- ⊘  ● Do not put hot items directly on furniture surface
 - ⊘  ● Do not clean furniture with harsh cleansers or polish.
 - ✓  ● To obtain the longest lifespan of your outdoor products, minimizing exposure to direct sunlight is recommended.
 - ⊘  ● Children should not climb or jump on the furniture.
 - ⊘  ● Do not write on furniture without a padded barrier to protect the surface.
 - ✓  ● To obtain the longest lifespan of your outdoor products, avoid extended and lengthy exposure to rain, snow, and direct sunshine. Whenever possible cover the product and /or place under patio or awnings.
 - ⊘  ● Not for commercial use. For residential use only .
 - ⊘  ● Stains may be removed with mild soap solution and damp cloth.
-
- ✓  ● Dust and pick-up spills using a clean, non-colored, lint-free cloth .