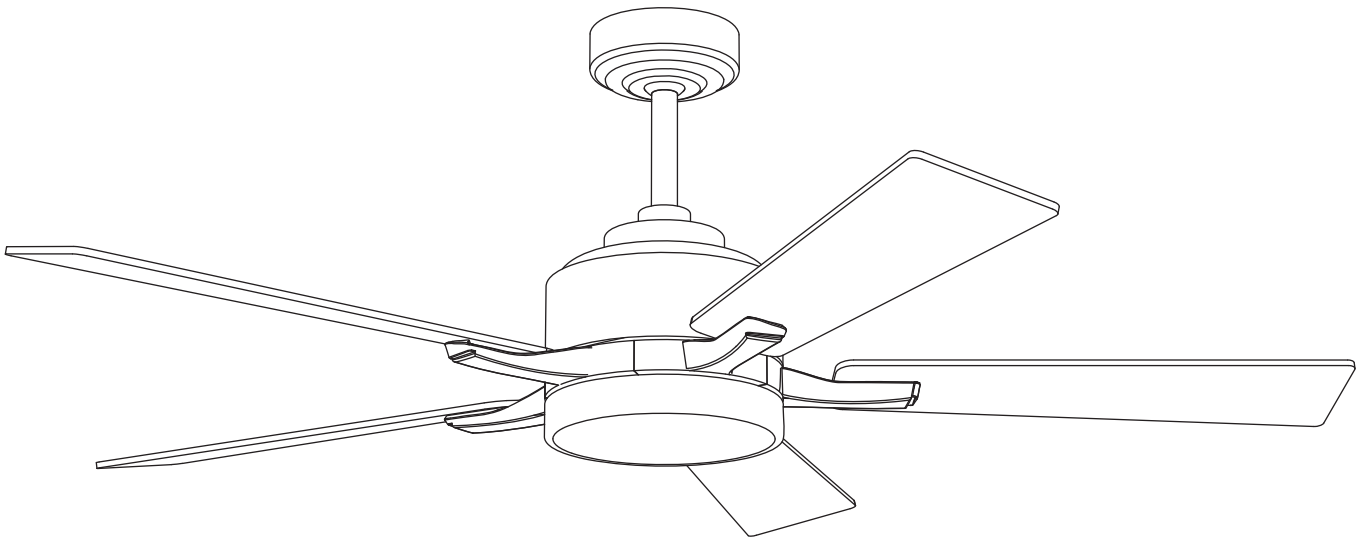


CEILING FAN WITH LIGHT

Model No.:
HY-6139N-42



INSTALLATION MANUAL



APP Control Applicable

TOOLS REQUIRED



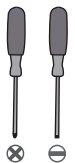
Ladder



Pliers



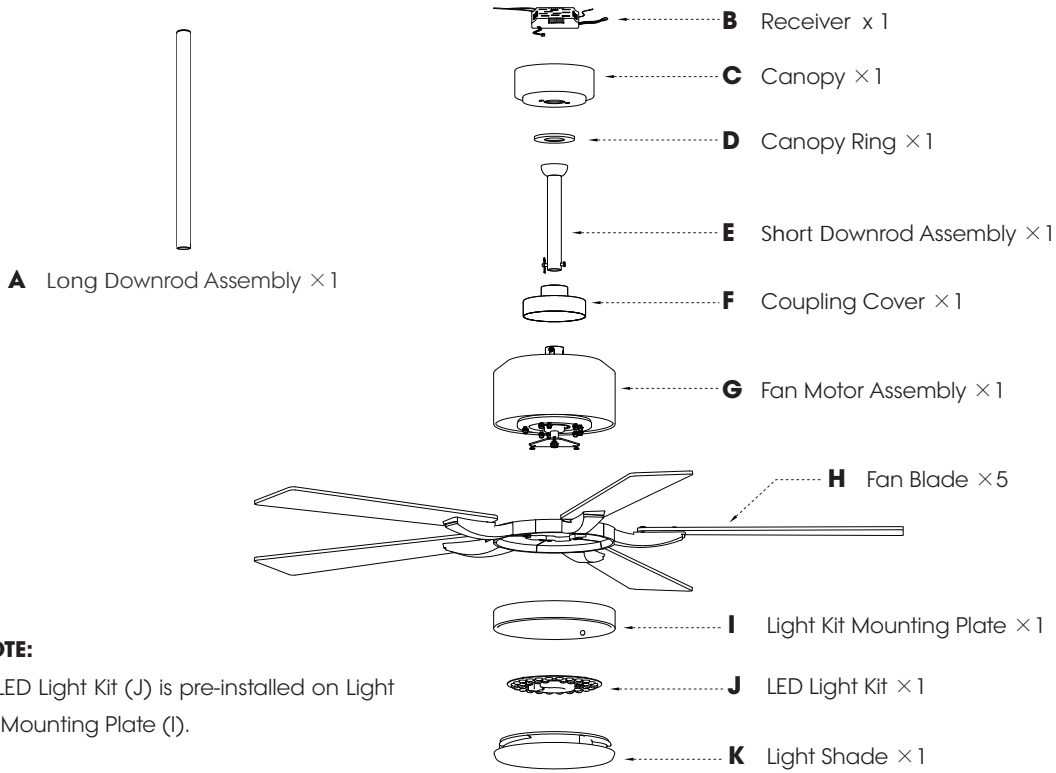
Wire Strippers



Screwdrivers

01

PACKING LIST

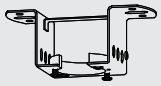







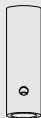


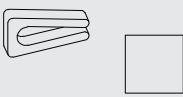




NOTE:

1. LED Light Kit (J) is pre-installed on Light Kit Mounting Plate (I).

02

INSTALLATION KIT

AA  Mounting Bracket	1×	BB  Outlet Box Screw with Washer	2×	CC  Wood Screw	4×	DD  Plastic Anchor	1×
EE  Leaf Fork Screw	10×	FF  Fan Blade Screw with Washer	15×	GG  Wire Nut	4×	HH  Long Downrod Assembly	1×
II  Short Downrod Assembly	1×	JJ  R Pin	1×	KK  Clevis Pin	1×	LL  Balance Clamp and Weight Plate	1×
MM  Remote Control	1×	NN  Gloves	1×				

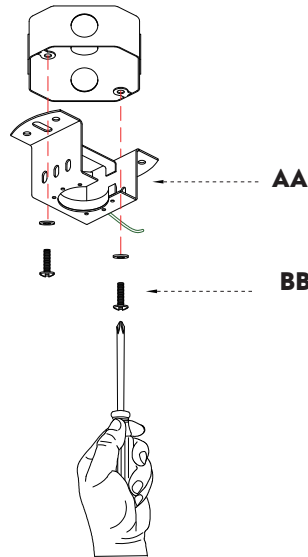
NOTE:

1. Some extra hardware may be included. The quantity listed above is the number required for installation.

1. Installing the Mounting Bracket

Step 1. Take off the screws from outlet box.

Step 2. Secure the mounting bracket (AA) onto the outlet box with screws taken off or Outlet Box Screw with Washer (BB) provided.



2. Assembling the Fan

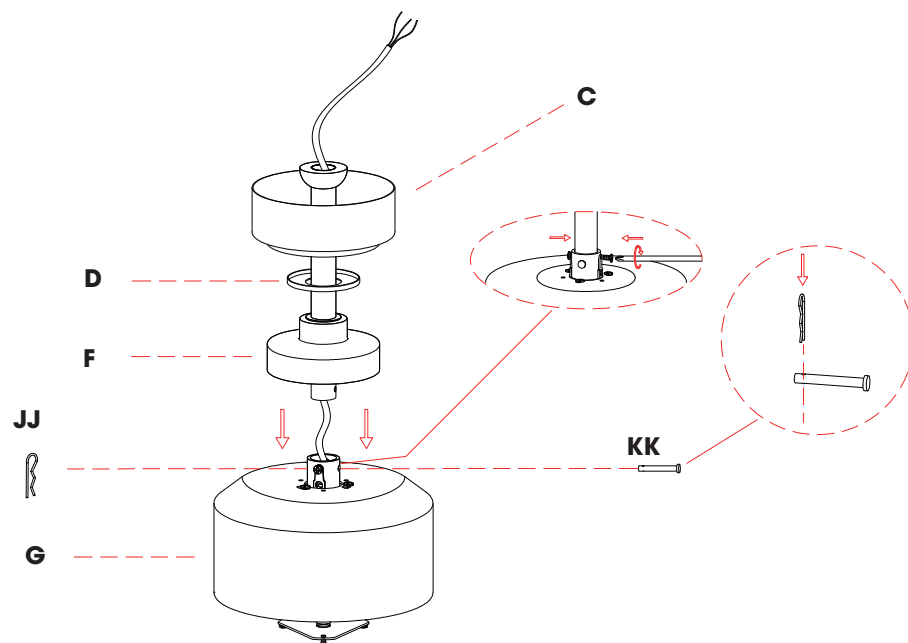
Step 1. Assemble the canopy (C) and coupling cover (F), route wires from the fan through the downrod.

Step 2. Loosen the set screw from the yoke but do not take off, align the holes at the bottom of the downrod with those in the yoke.

Step 3. Carefully insert the clevis pin (KK) through the holes in the yoke and downrod (Be careful not to jam the clevis pin (KK) against the wires inside the downrod).

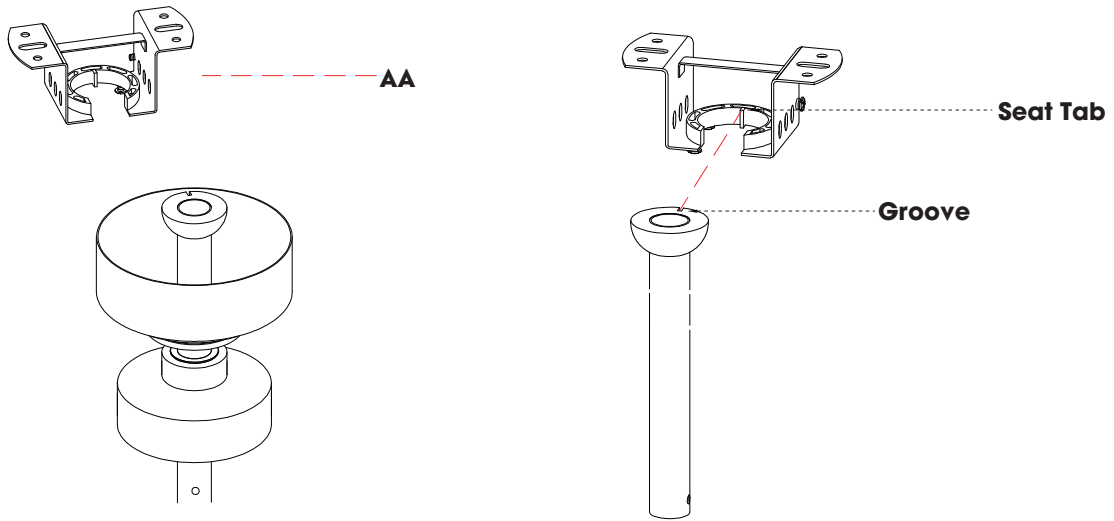
Step 4. Insert the "R" pin (JJ) into the end of the clevis pin (KK).

Step 5. Tighten the set screw on the yoke to secure the downrod.



3. Hanging the Fan

Step 1. Lift the downrod into the mounting bracket (AA). Rotate the downrod until the seat tab in the mounting bracket (AA) is seated in the groove in the downrod ball.

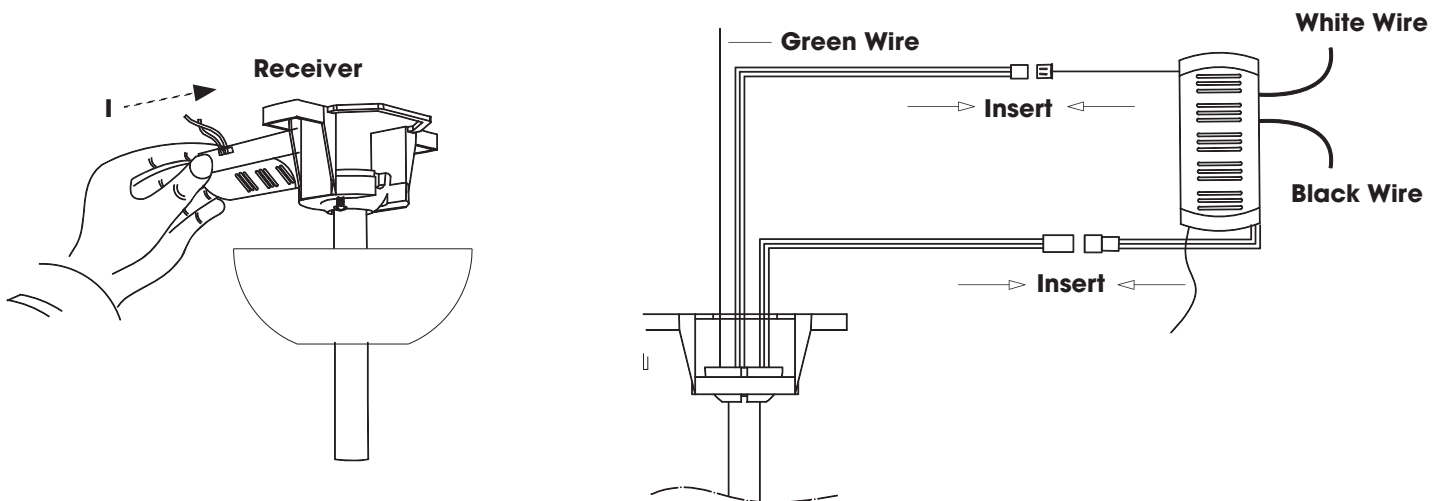


4. Wiring and Routing

Step 1. Insert the receiver (B) to the mounting bracket (AA).

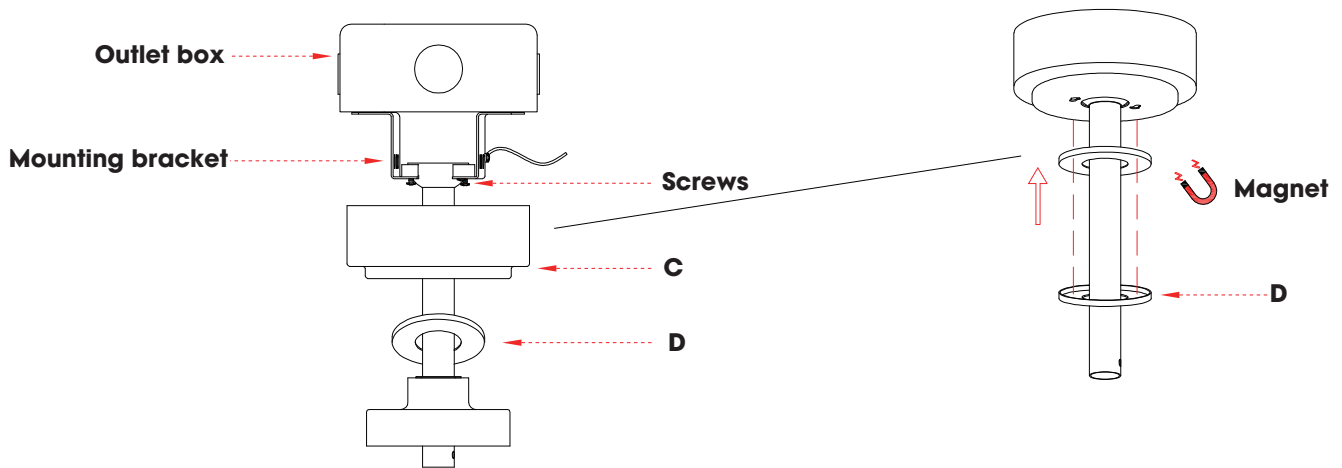
Step 2. Connect the wires from the fixture to the house supply wires with wire nuts (GG), ground wire (green, green/yellow, or bare copper) to ground wire, neutral wire (white or blue) to neutral wire, and hot wire (black or brown) to the hot wire.

Step 3. Wrap the connection with electrical tape.



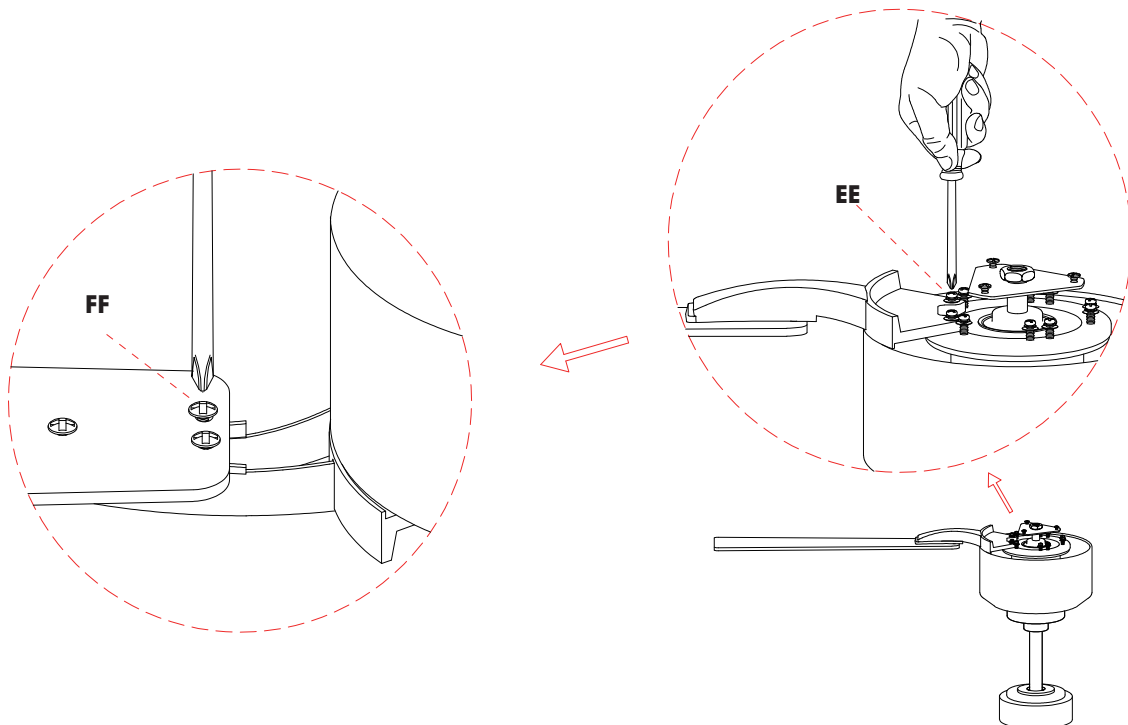
5. Attaching the Canopy

- Step 1. Slide the canopy (C) up to the ceiling and attach it to the mounting bracket (AA) with the set screws provided.
- Step 2. Slide the coupling cover (F) downward to cover the yoke and fix the canopy ring (D) to the canopy with Magnet.



6. Assembling the Fan Blade

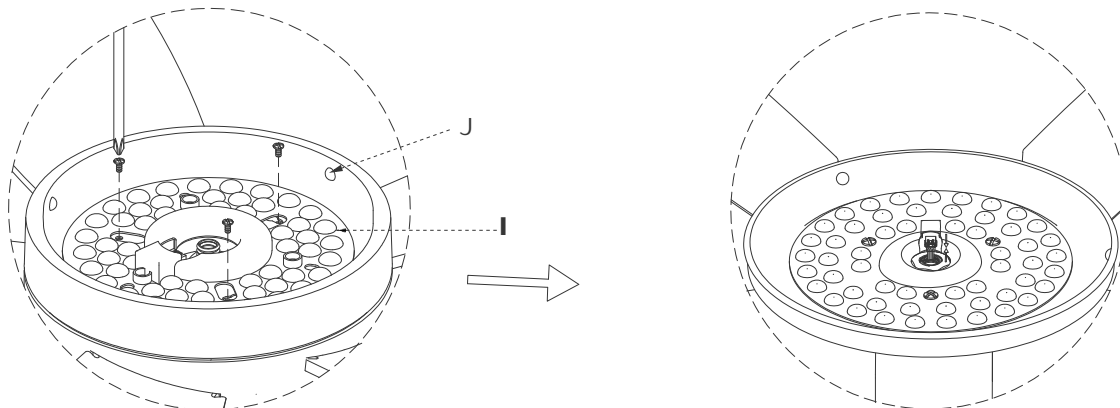
- Step 1. Attach Fan Blade (H) onto the Leaf Fork with Fan Blade Screws with Washer (FF) provided.
- Step 2. Take off Leaf Fork Screws (EE) from the Fan Motor Assembly.
- Step 3. Attach the Leaf Fork onto the motor with the Screws taken off.



7. Install the LED Light Kit

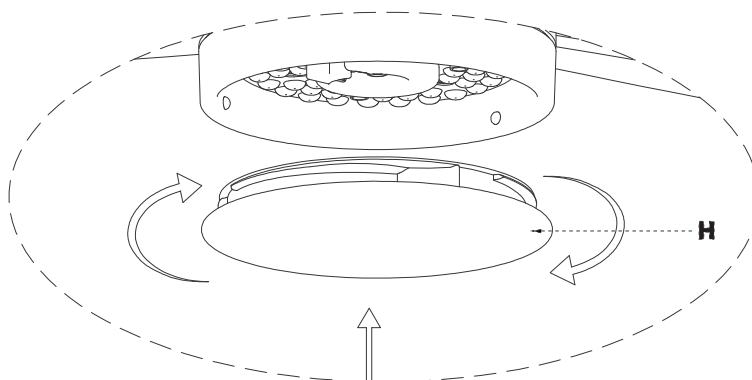
Step 1. Fix the light kit mounting plate (I) on the fan motor assembly (G) with fixing screws taken off.

Step 2. Connect the wire terminal to the interface on the LED Light Kit (J).



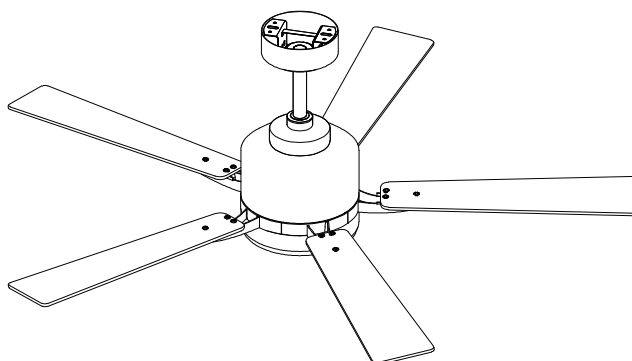
8. Install the Light Shade

Step 1. Rotate the light shade (H) clockwise to secure it to the lamp panel.



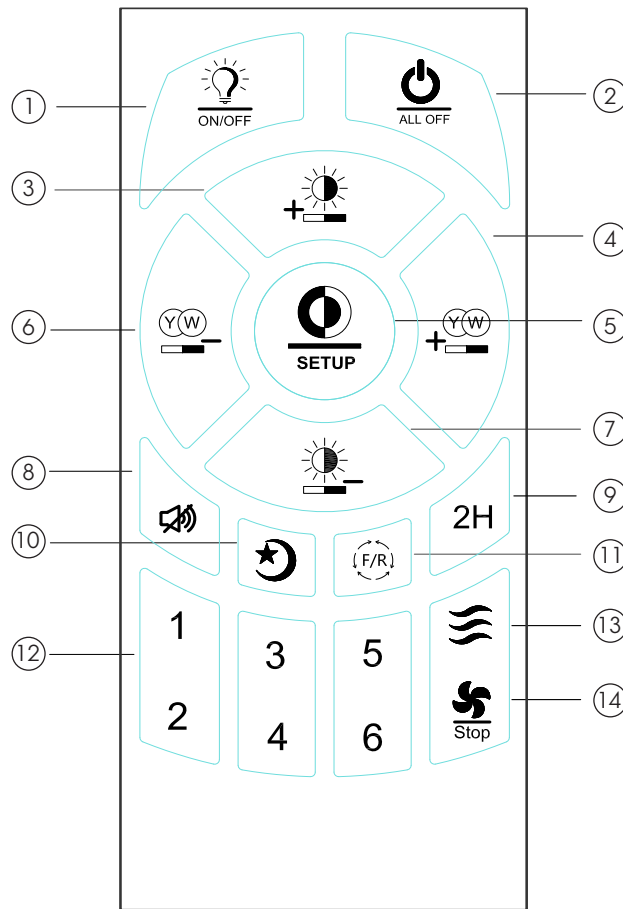
9. Light Fixture Display

The fixture is as shown in the picture.



04

REMOTE CONTROL INSTRUCTIONS



- ① :Turn on/off the light
- ② :Turn off fan and light.
- ③⑦ :Adjust the brightness of the light.
- ④⑥ :Adjust the light color temperature.
- ⑤ :Quick switch of the light color: warm white->cool white->daylight white.
- ⑧ :Turn on/off the mute mode.
- ⑨ :2H for timing the fan.
- ⑩ :Night mode, lights will be dimmed when press this button.
- ⑪ :Fan moves forwards or reversely
- ⑫ :Turn on the fan on speed 1/2/3/4/5/6.
- ⑬ :Natural wind of the fan, fan speed will change automatically when use this function.
- ⑭ :Turn off the fan.

REMOTE SIGNAL PAIRING:

If the remote control loses signal of the fan, press and hold the button ⑤ at the very beginning after it's turned on from wall switch. After the light flashes or fan beeps, it's done.

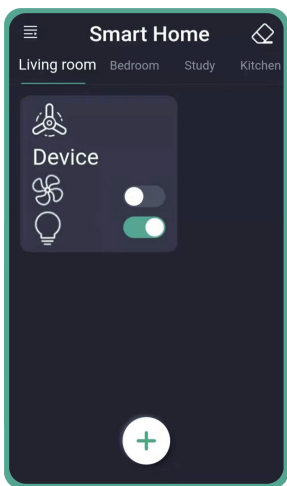
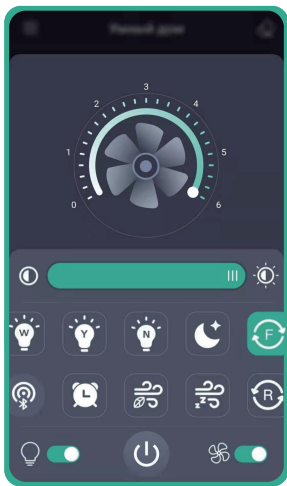
05

















APP CONTROL INSTRUCTIONS



NOTE: Scan the QR code and install the APP in your phone, or search and install "FanLamp Pro" from Google Play, Apple App and other APP stores.

Make sure your phone is connected to the internet and bluetooth enabled.



-  Pair button. Click it within 5 seconds after the fan is powered on from wall switch. After the fan flashes or beeps, it has been successfully paired with the phone, it can be controlled through it.
-  Slide to change the fan speed.
-  Slide to change the brightness of the light.
-  Quick switch for "White" light color.
-  Quick switch for "Yellow" light color.
-  Quick switch for "Natural" light color.
-  Night mode: Dim the lights.
-  Fan moves forward.
-  Fan moves reversely.
-  Change the direction of the wind. (Not supported)
-  Timing the fan.
-  Natural wind: The fan speed will change automatically when you use this function.
-  Sleeping wind. (Not supported)
-  Turn on/off the light.
-  Turn on/off the fan.
-  Unpairing: Click the unpair button within 5 seconds after turning on the fan. Once the fan flashes or beeps, it has been successfully unpaired from your phone.