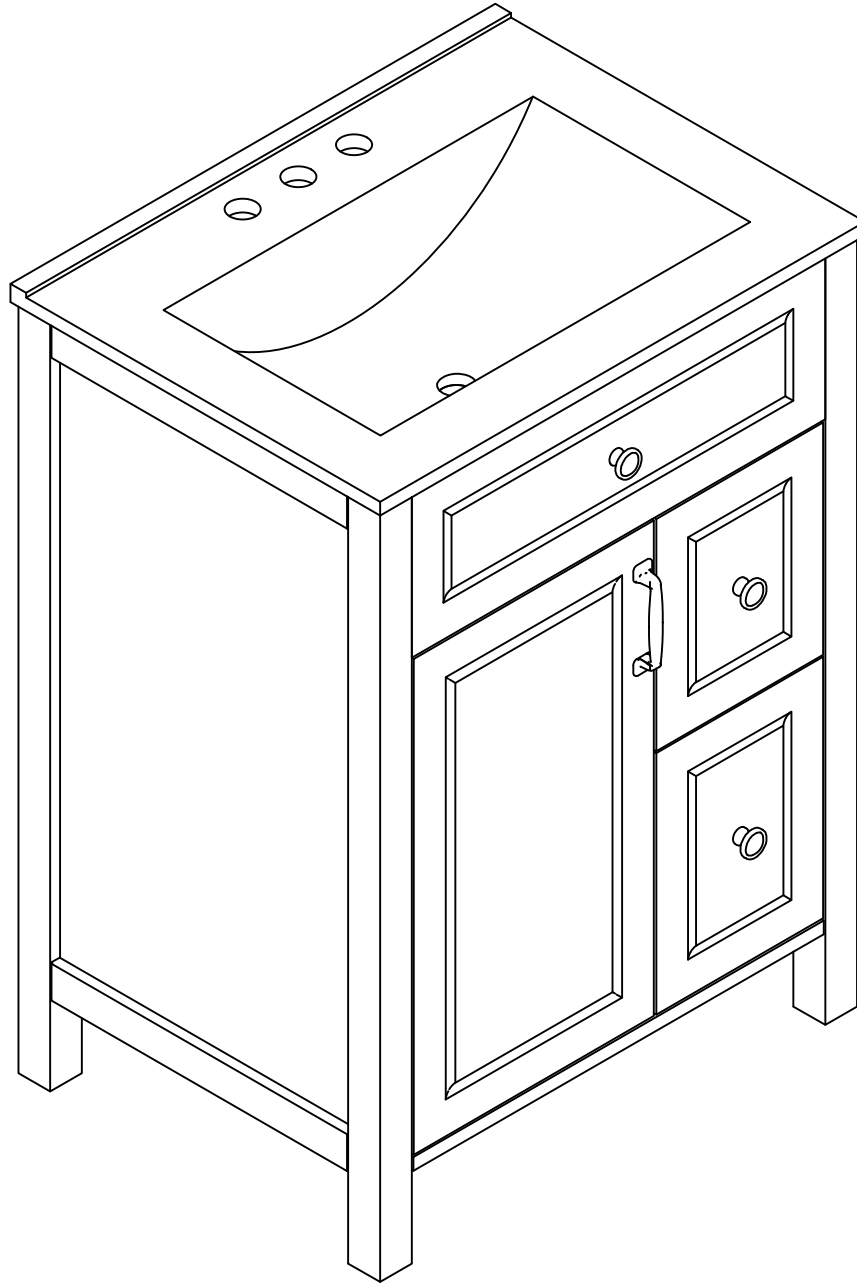
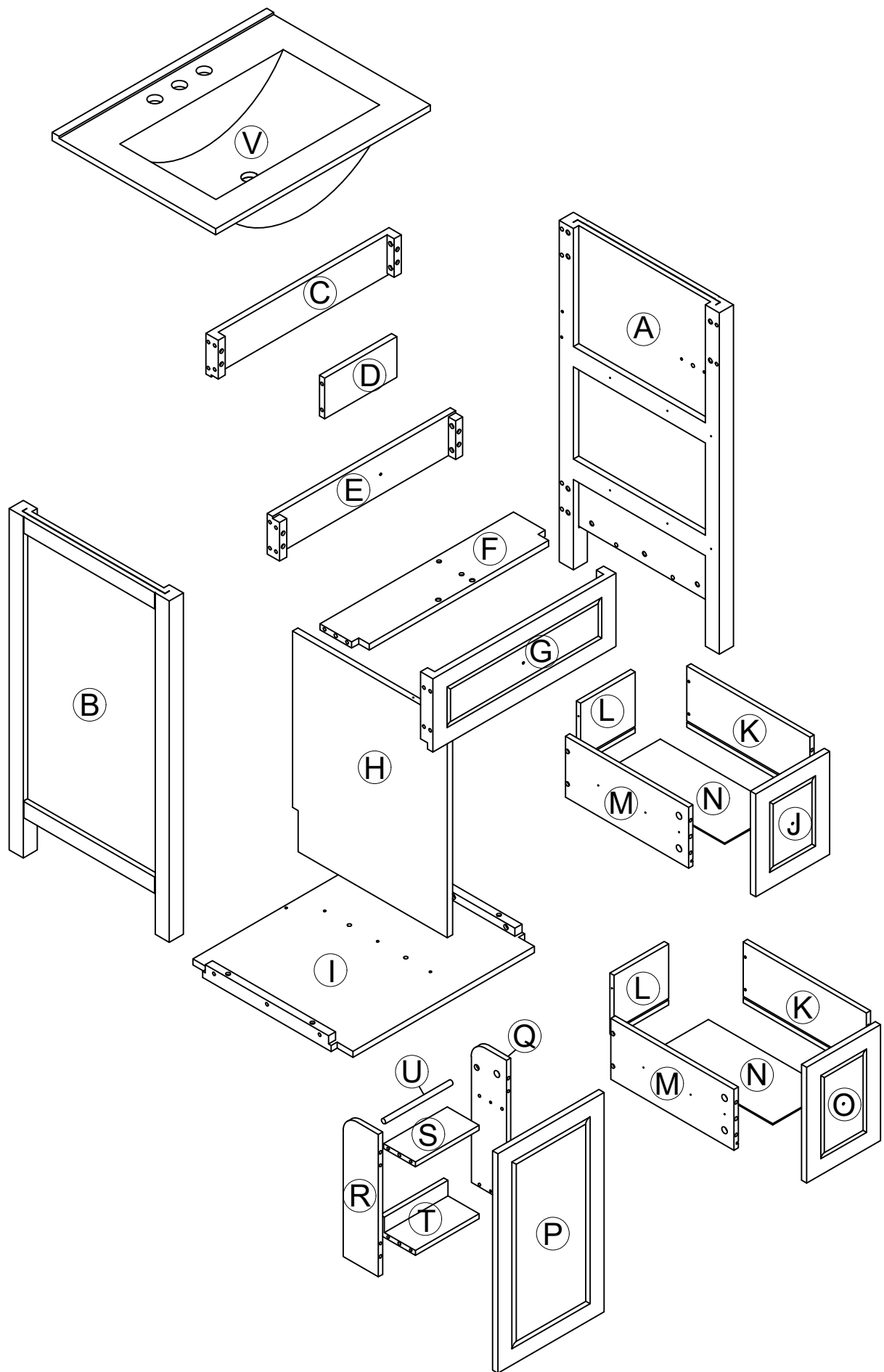
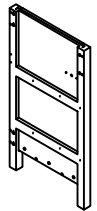
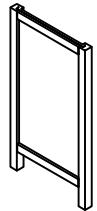
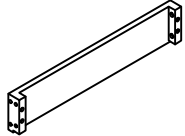
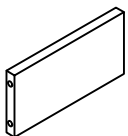
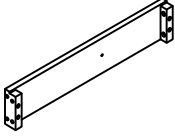
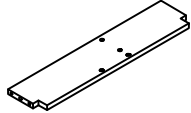
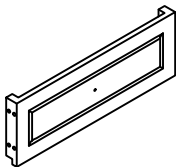
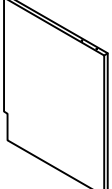
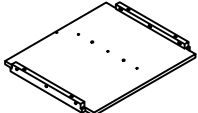
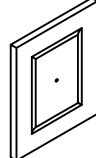
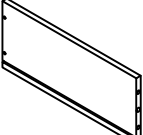
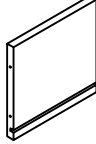
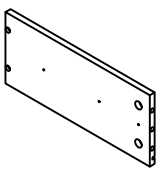
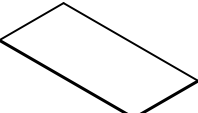
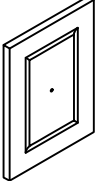
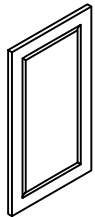
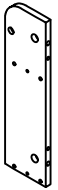
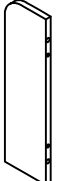
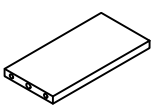
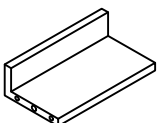




# Installation & Assembly

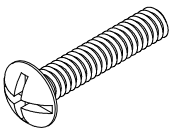
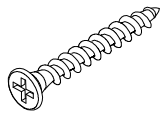
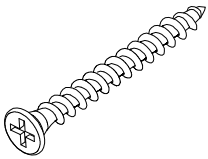
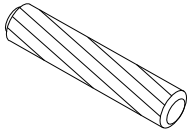
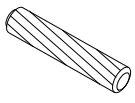
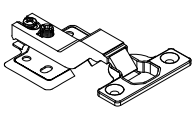
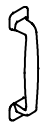

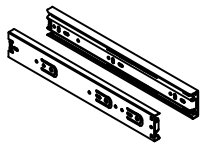

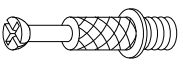
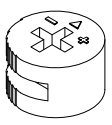
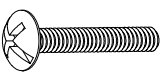






PRODUCT PARTS:

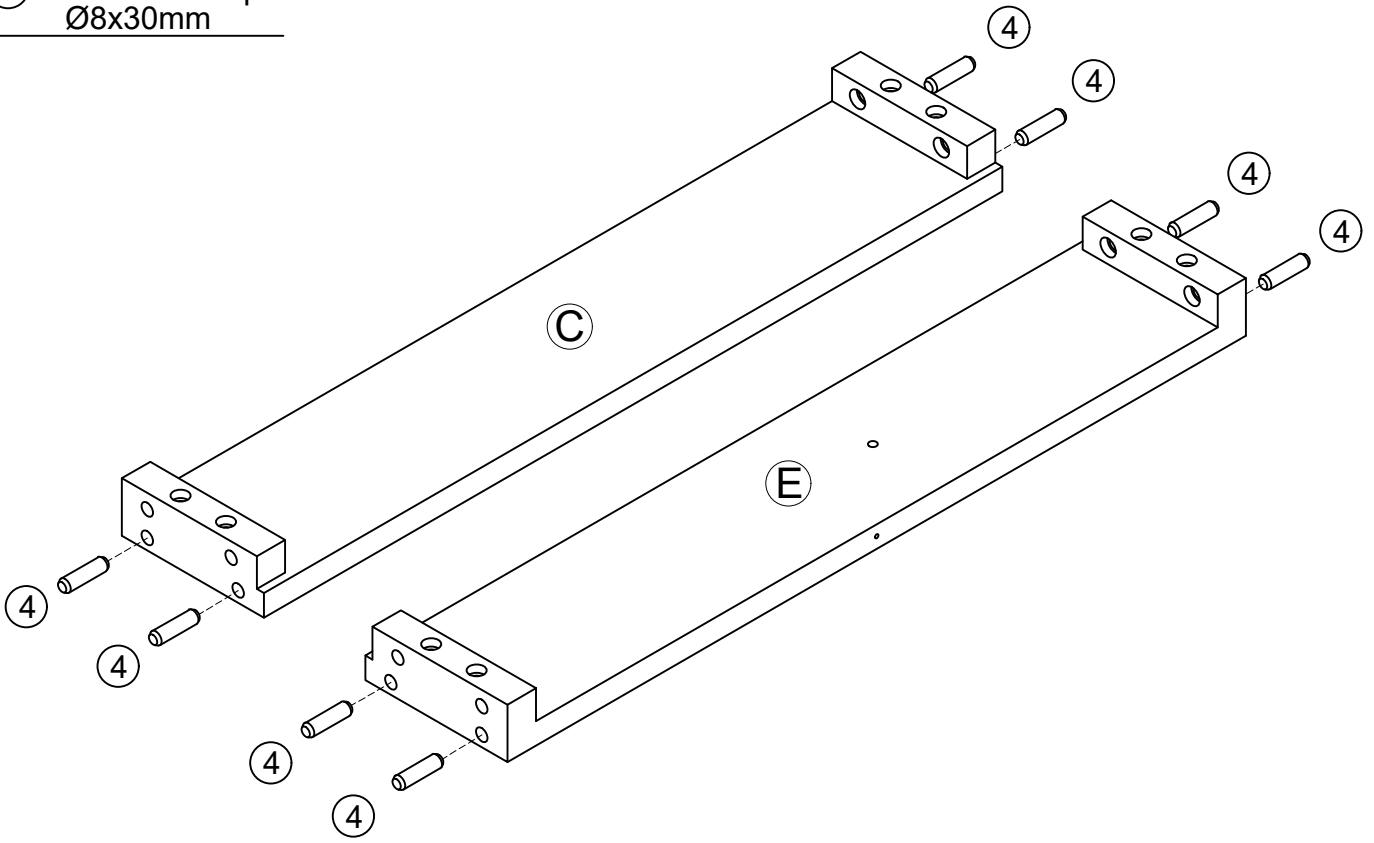
A	B	C	D	E	F
					
1PC	1PC	1PC	1PC	1PC	1PC
G	H	I	J	K	L
					
1PC	1PC	1PC	1PC	2PCS	2PCS
M	N	O	P	Q	R
					
2PCS	2PCS	1PC	1PC	1PC	1PC
S	T	U	V		
					
1PC	1PC	1PC	1PC		

# HARDWARE:


①	②	③	④	⑤	⑥
					
1/4"x25mm	Ø4x25mm	Ø4x35mm	Ø8x30mm	Ø6x30mm	
<b>20+2 PCS</b>	<b>8 PCS</b>	<b>7 PCS</b>	<b>20+2 PCS</b>	<b>16+1 PCS</b>	<b>2 PCS</b>
⑦	⑧	⑨	⑩	⑪	⑫
					
	Ø4x12mm	12"x45mm	Ø3x10mm	Ø6x33mm	Ø15x9mm
<b>1 PC</b>	<b>12+1 PCS</b>	<b>2 SET</b>	<b>24+2 PCS</b>	<b>24+2 PCS</b>	<b>24+2 PCS</b>
⑬	⑭				
					
5/32"x15mm					
<b>5 PCS</b>	<b>3 PCS</b>				

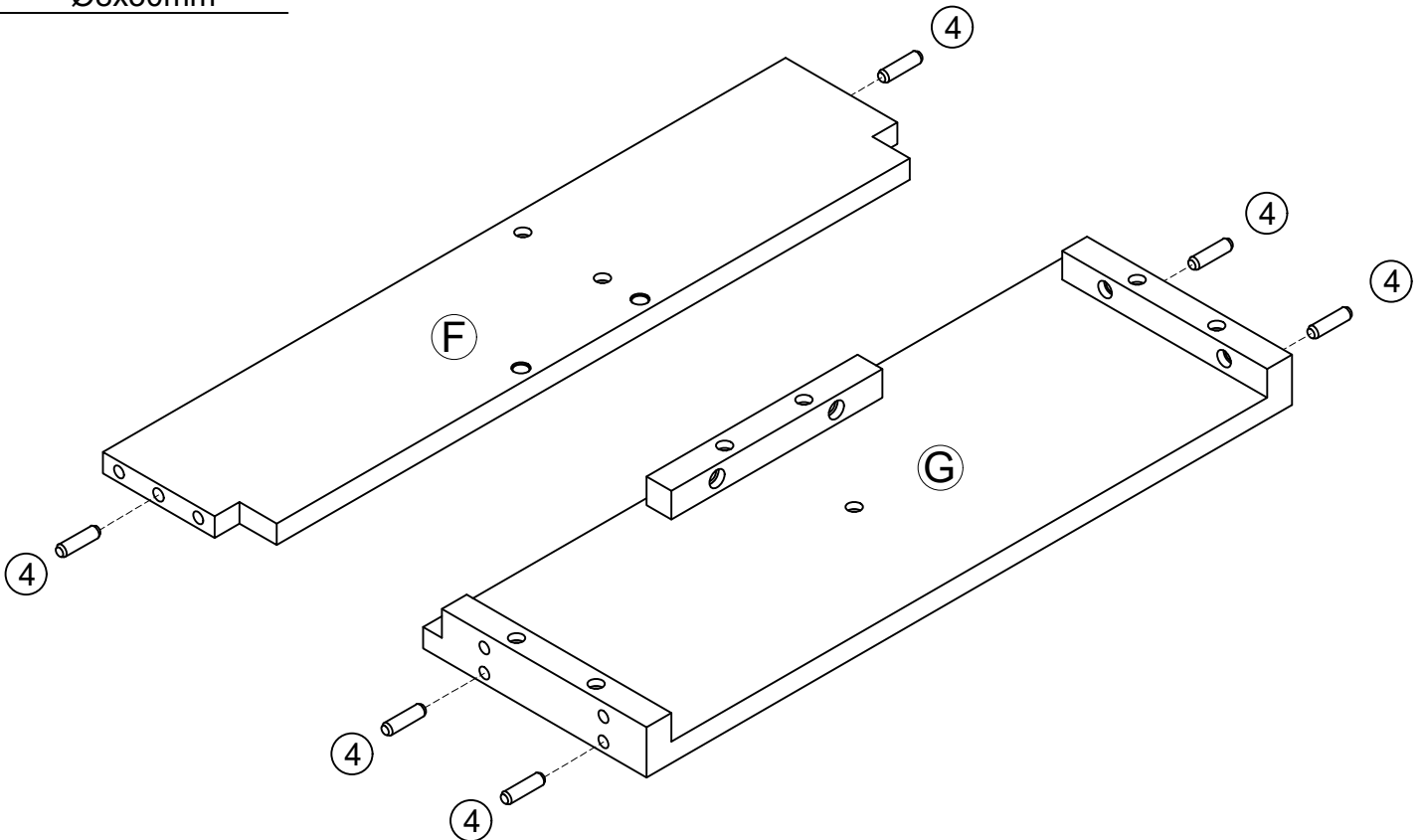
STEP 1

④  8pcs  
Ø8x30mm




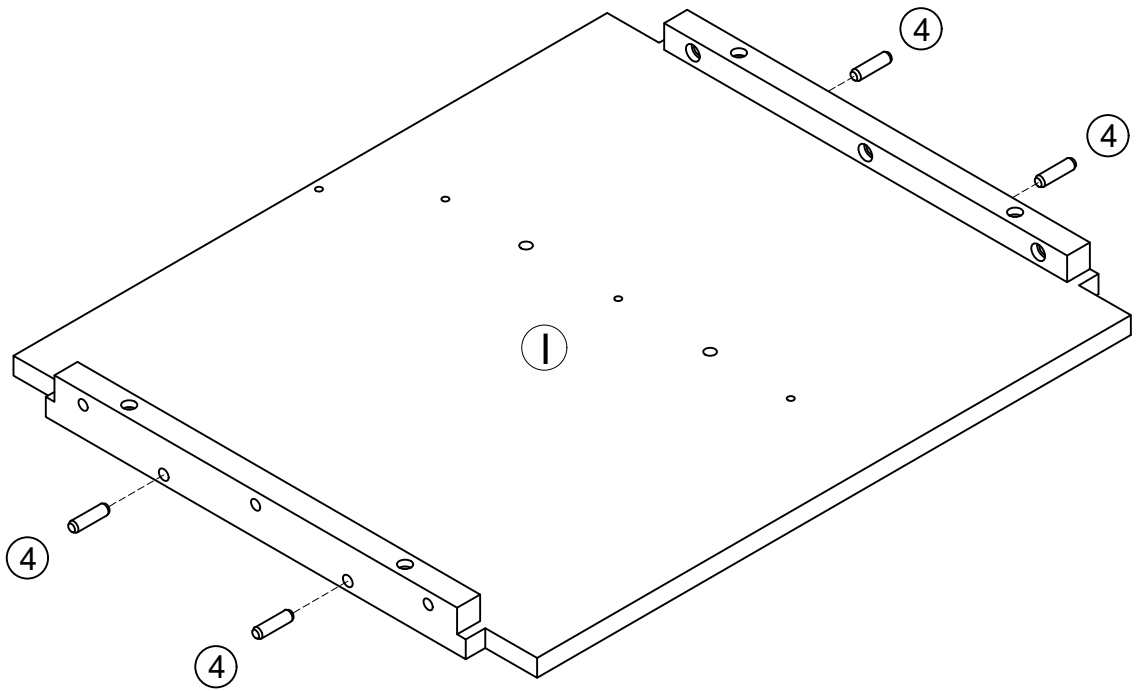
STEP 2

④  6pcs  
Ø8x30mm

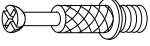


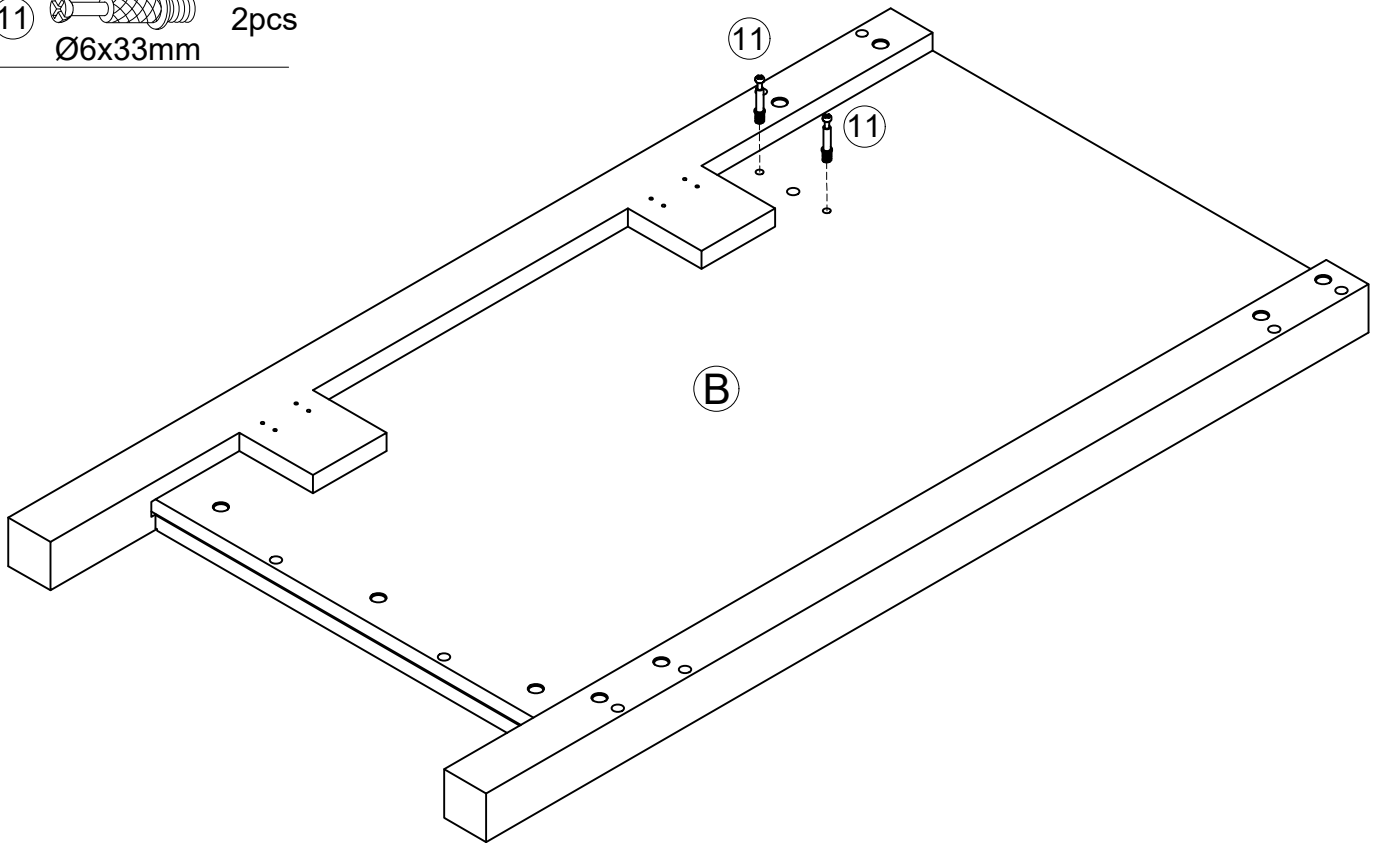
### STEP 3

④  4pcs  
Ø8x30mm

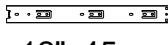


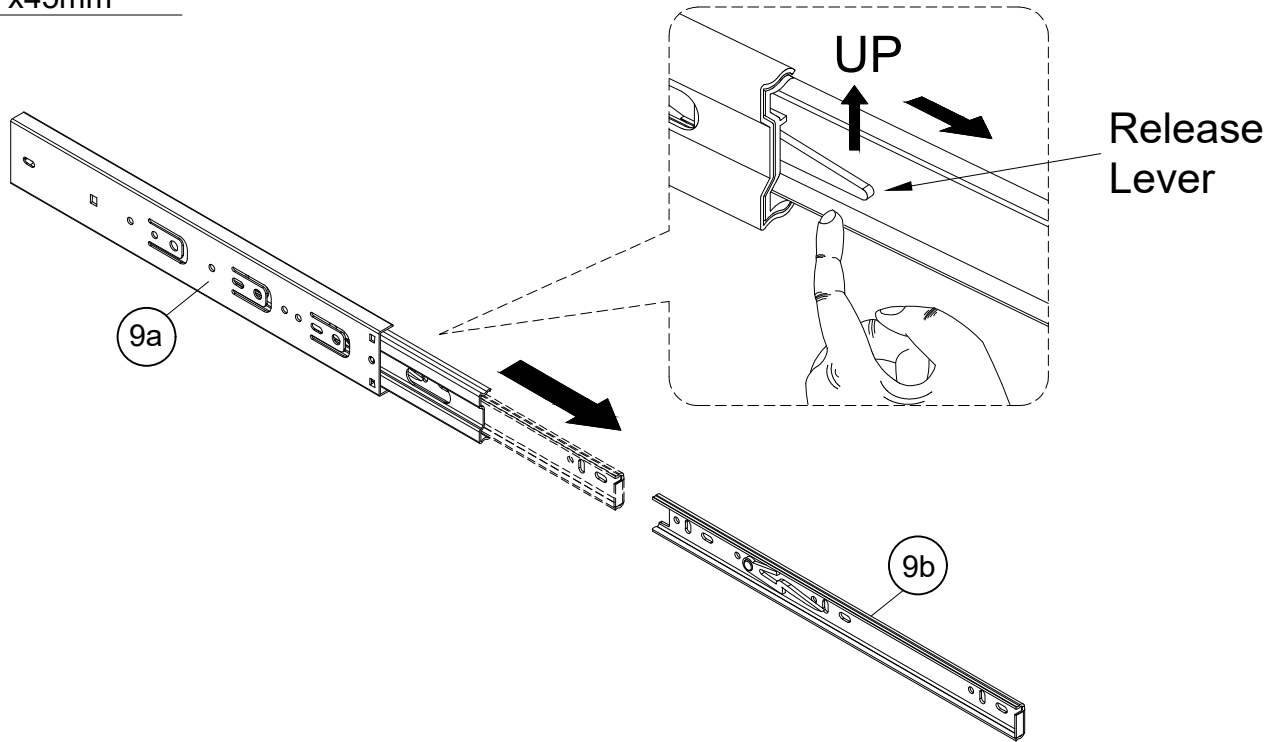
### STEP 4

⑪  2pcs  
Ø6x33mm


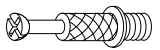




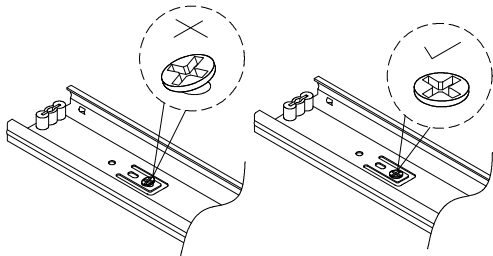
## STEP 5

- ⑨  2SET  
12"x45mm

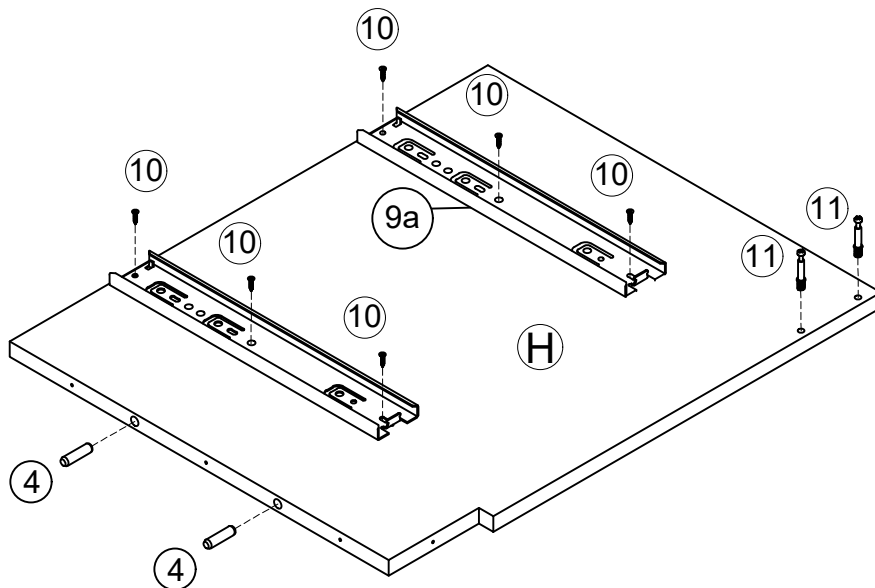
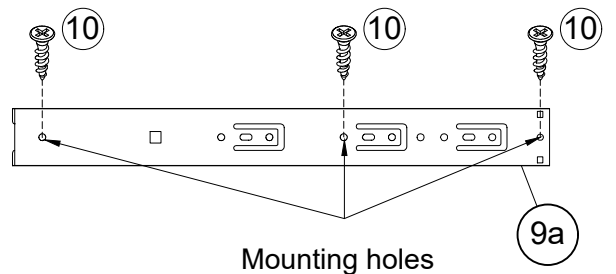


## STEP 6

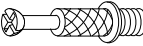
- ④  2pcs    ⑪  2pcs    ⑨a  2pcs    ⑩  6pcs  
Ø8x30mm    Ø6x33mm    12"x45mm    Ø3x10mm

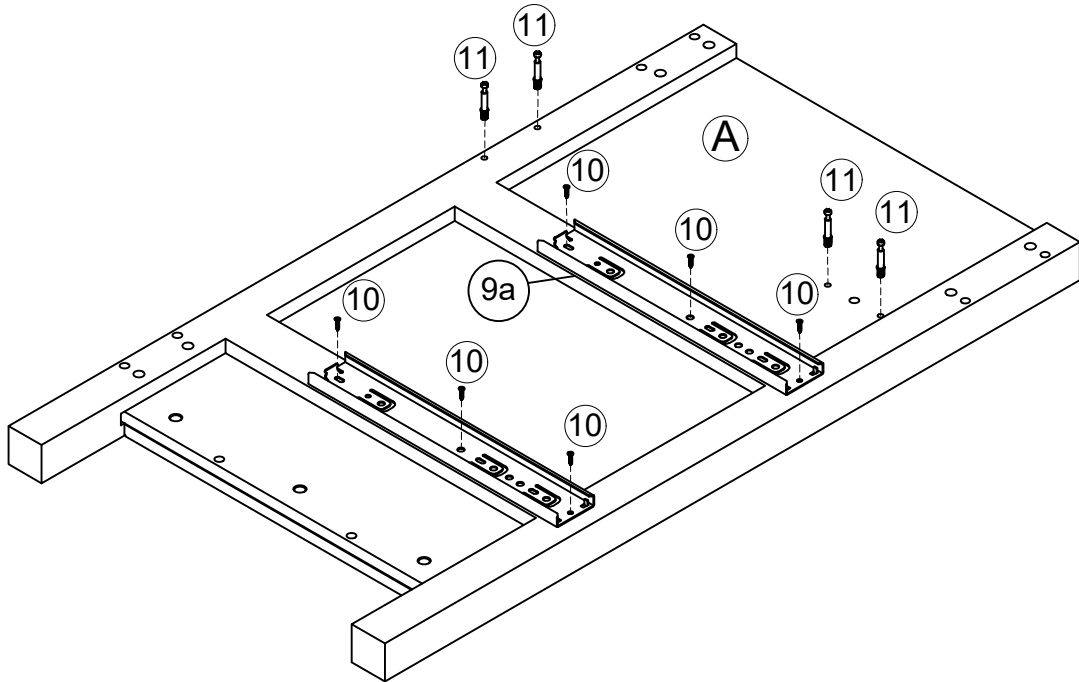


Please make sure that the screw is **VERTICAL** so as not to affect the sliding of the drawer.





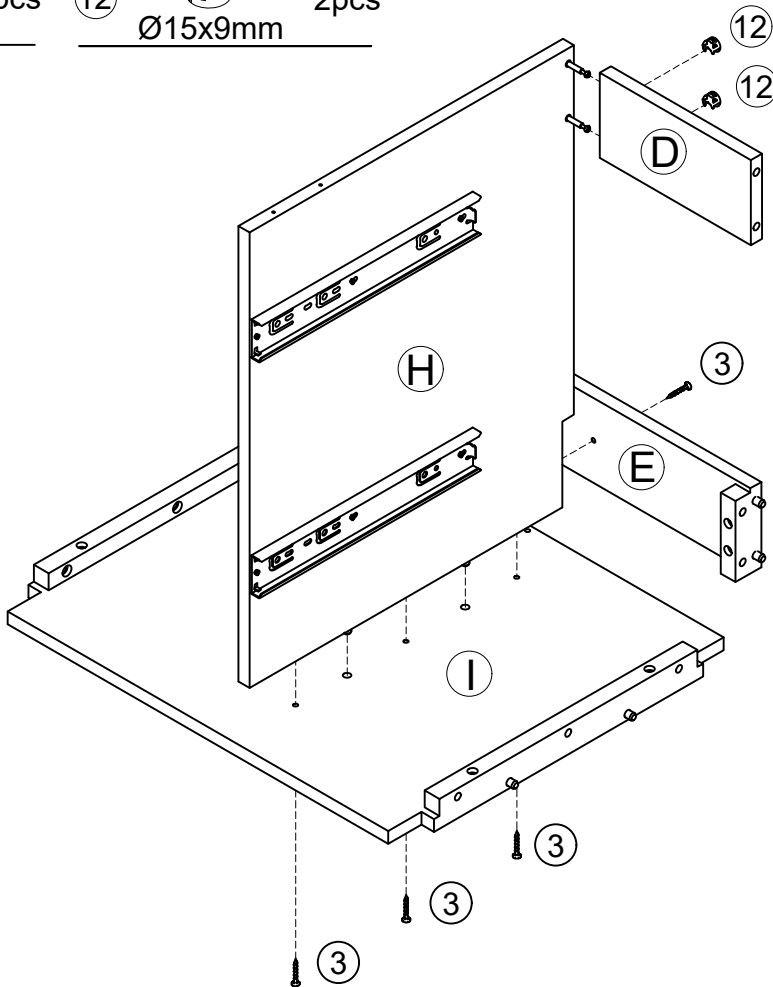
### STEP 7

- 9a  2pcs 12"x45mm  
10  6pcs Ø3x10mm  
11  4pcs Ø6x33mm



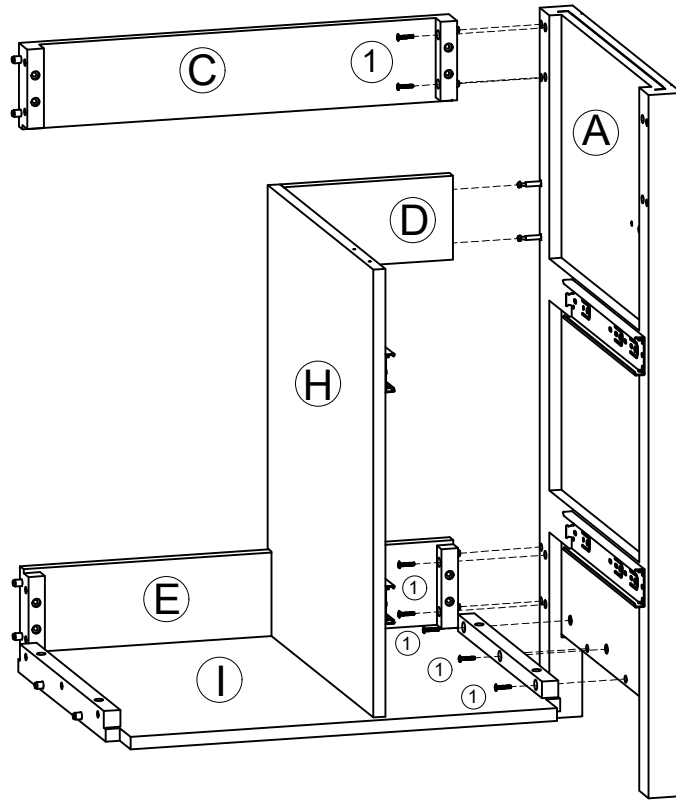
### STEP 8

- 3  4pcs Ø4x35mm  
12  2pcs Ø15x9mm



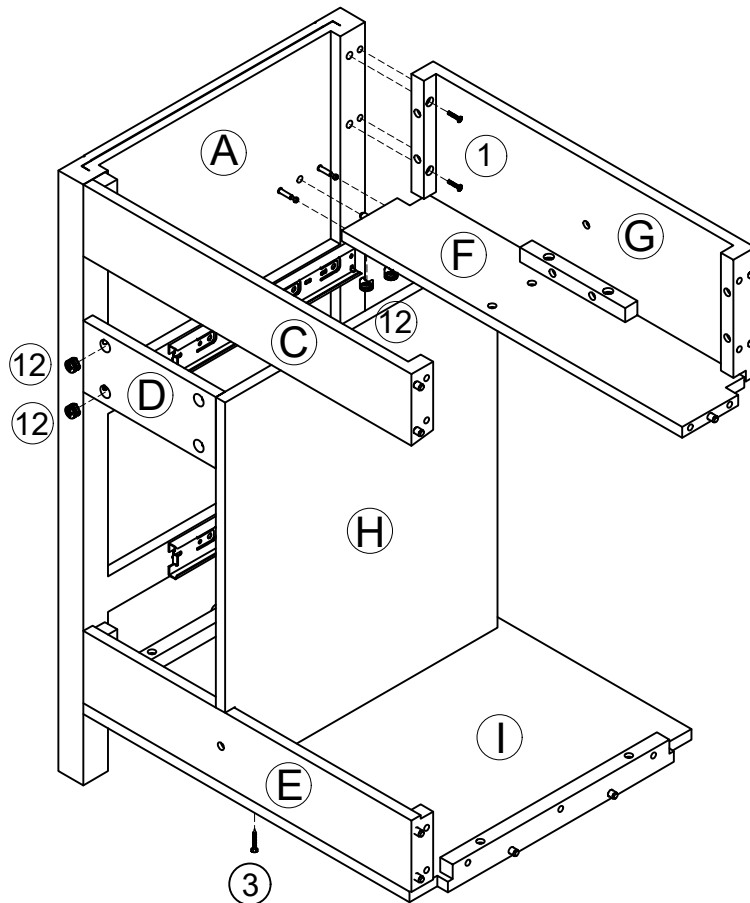
STEP 9

- ①  7pcs  
1/4"x25mm



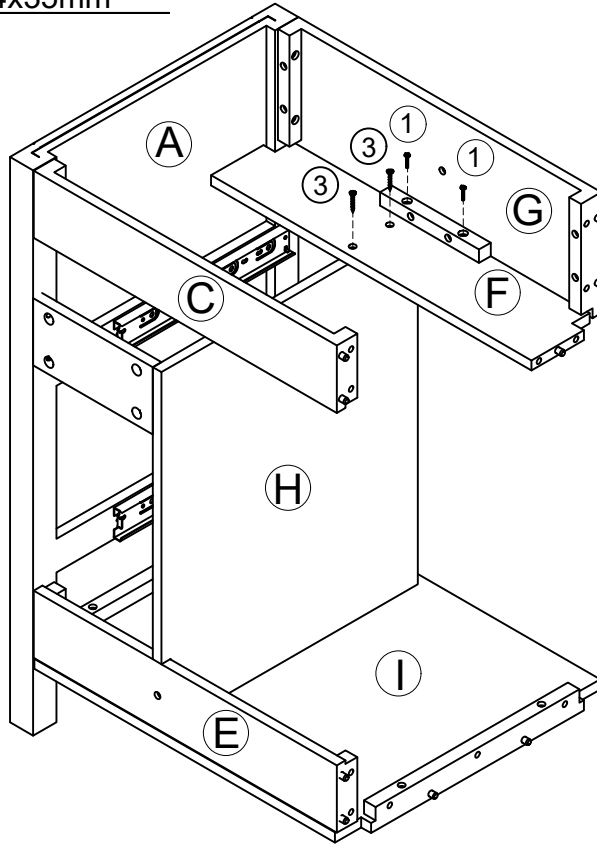
STEP 10

- ③  1pc  
Ø4x35mm
- ⑫  4pcs  
Ø15x9mm
- ①  2pcs  
1/4"x25mm



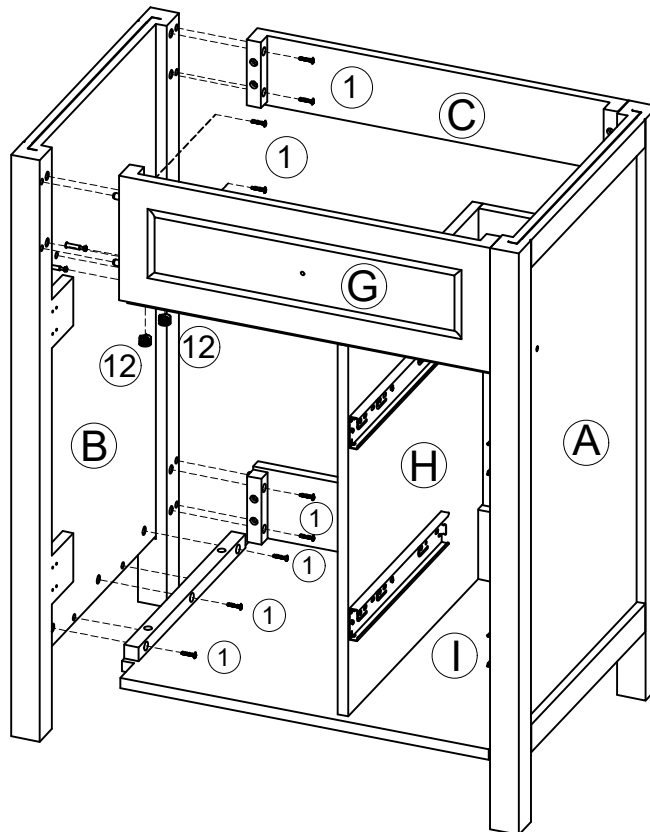
STEP 11

- ① 1/4"x25mm 2pcs ③ Ø4x35mm 2pcs

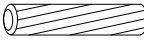




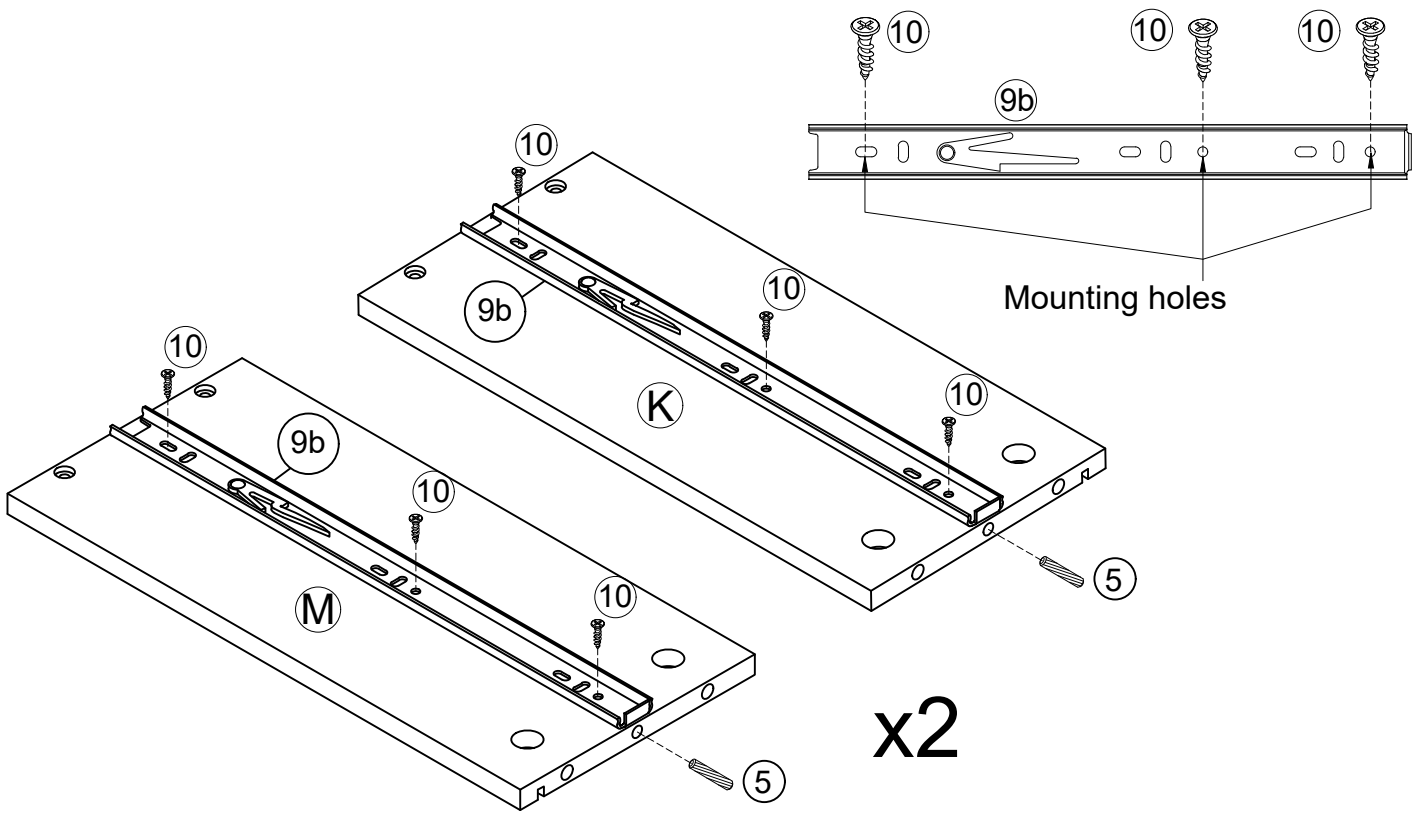
STEP 12

- ⑫ Ø15x9mm 2pcs ① 1/4"x25mm 9pcs

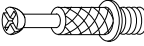


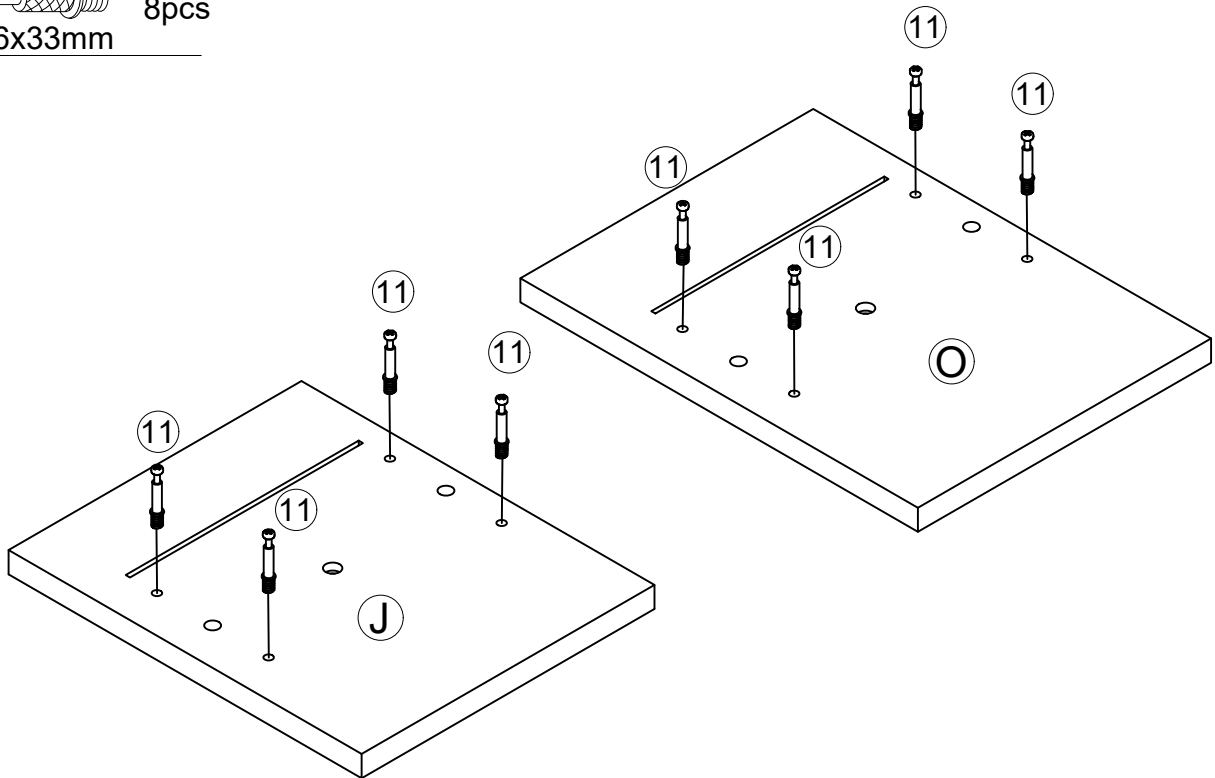
STEP 13

- ⑤  4pcs  $\text{Ø}6 \times 30\text{mm}$     ⑨b  4pcs  $12'' \times 45\text{mm}$     ⑩  12pcs  $\text{Ø}3 \times 10\text{mm}$




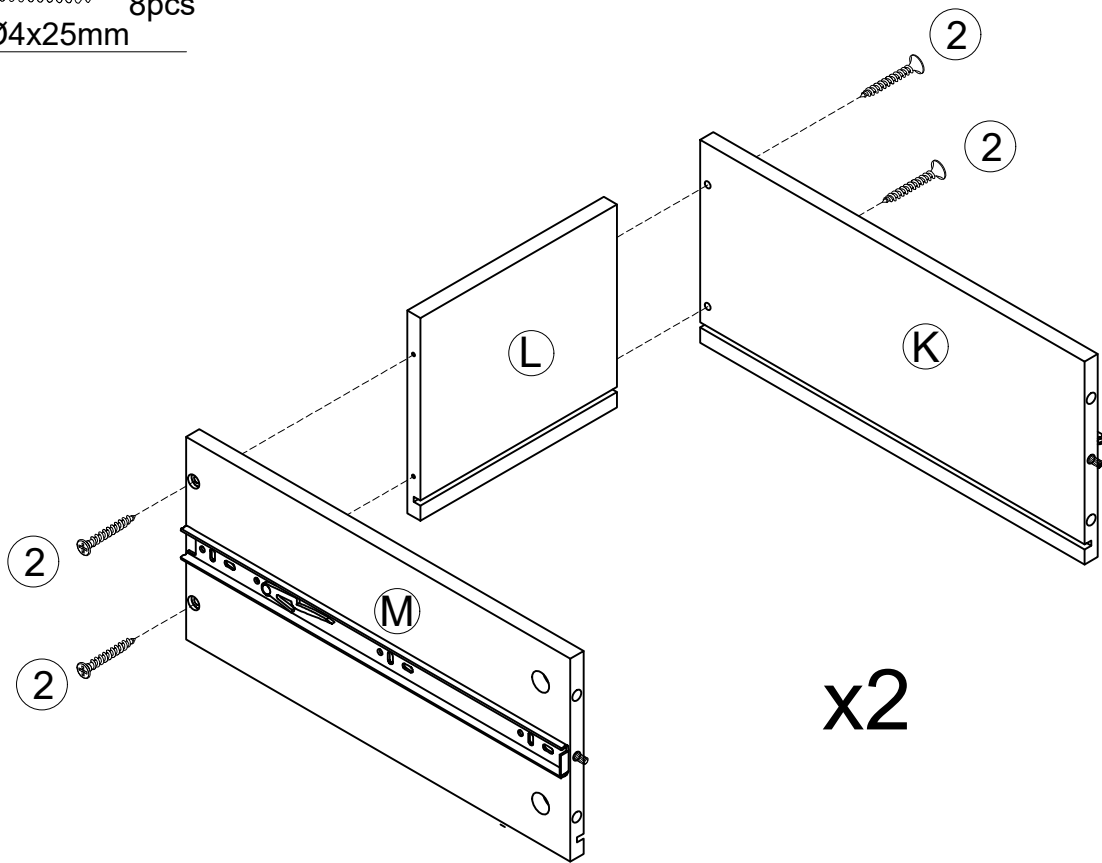
STEP 14

- ⑪  8pcs  $\text{Ø}6 \times 33\text{mm}$

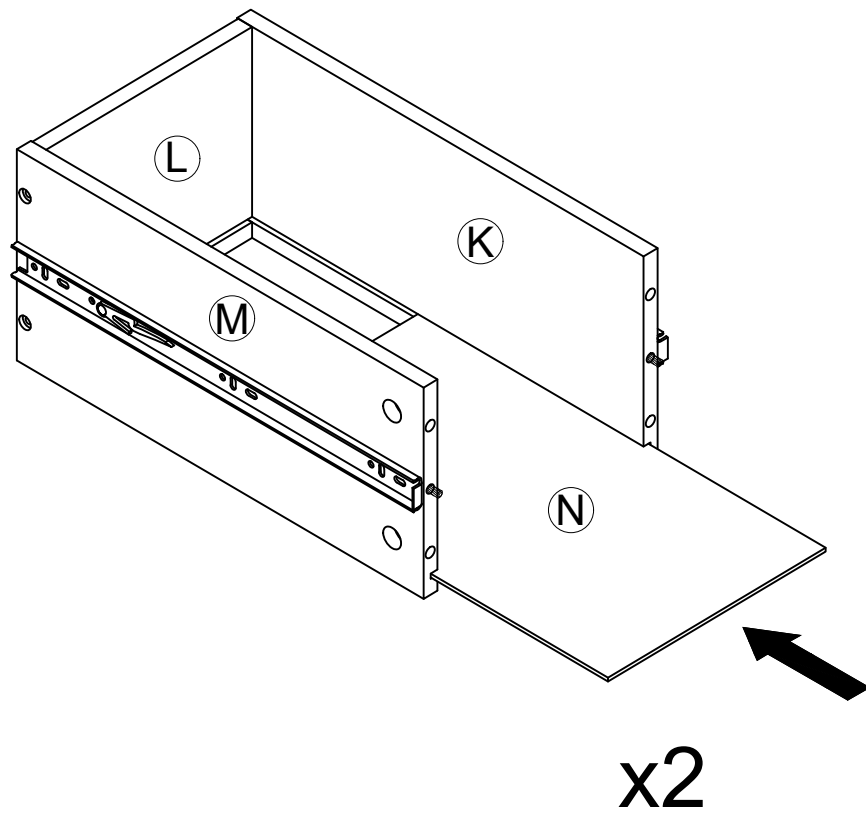


STEP 15

②  8pcs  
Ø4x25mm

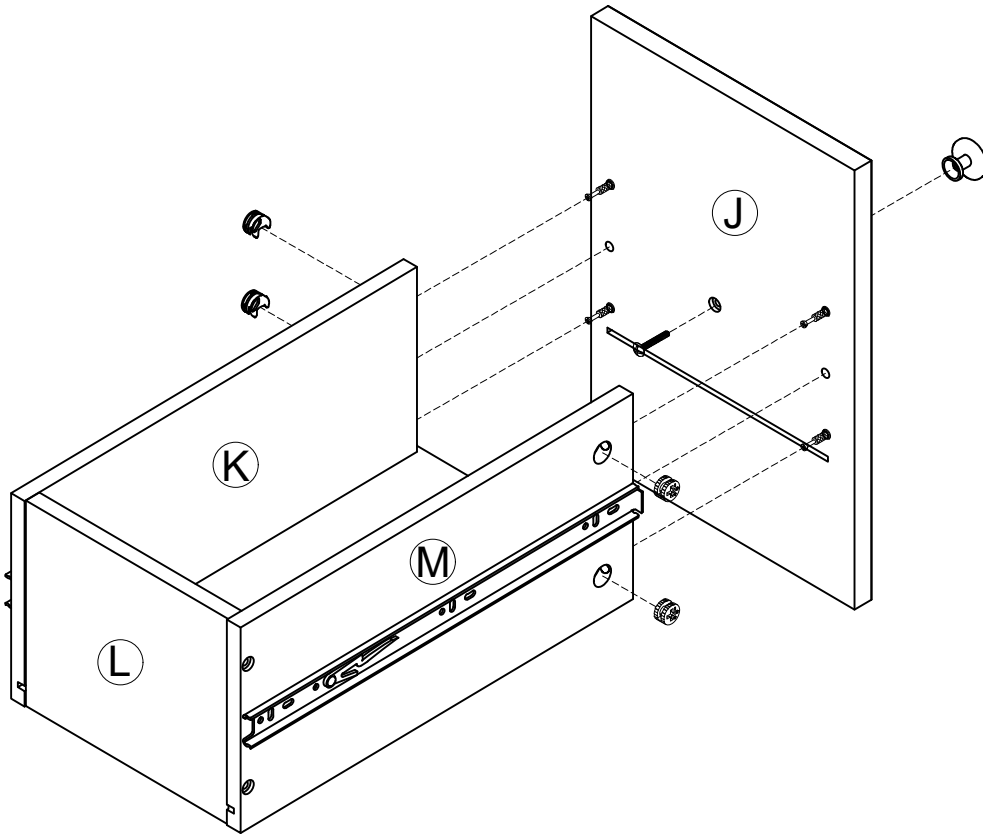


STEP 16






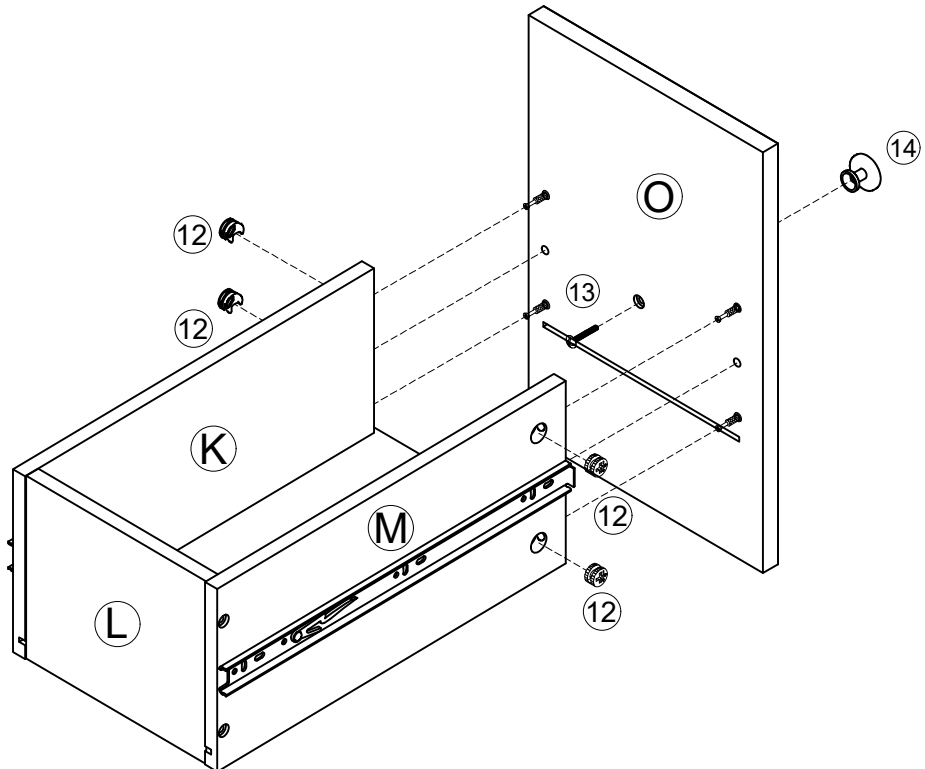
STEP 17

- |   |   |      |   |   |     |   |   |     |
|---|---|------|---|---|-----|---|---|-----|
| ⑫ |  | 4pcs | ⑭ |  | 1pc | ⑬ |  | 1pc |
|   | Ø15x9mm   |      |   |   |     |   | 5/32"x15mm  |     |

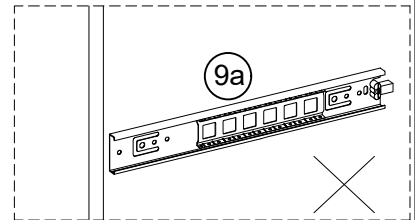
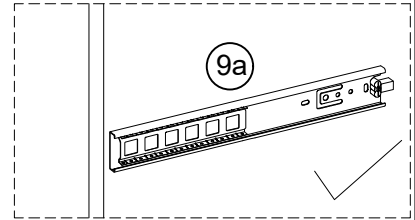
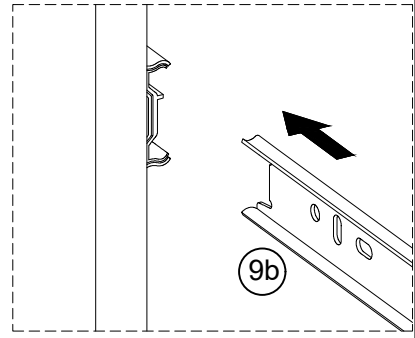
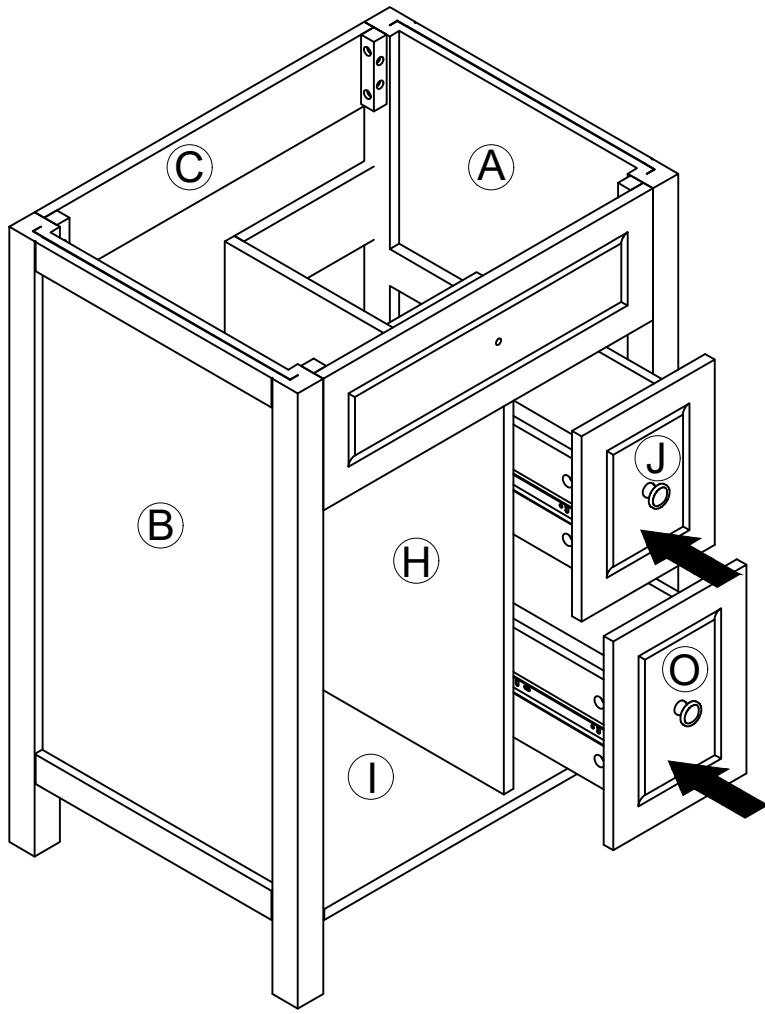


STEP 18


- |   |   |      |   |   |     |   |   |     |
|---|---|------|---|---|-----|---|---|-----|
| ⑫ |  | 4pcs | ⑭ |  | 1pc | ⑬ |  | 1pc |
|   | Ø15x9mm   |      |   |   |     |   | 5/32"x15mm  |     |

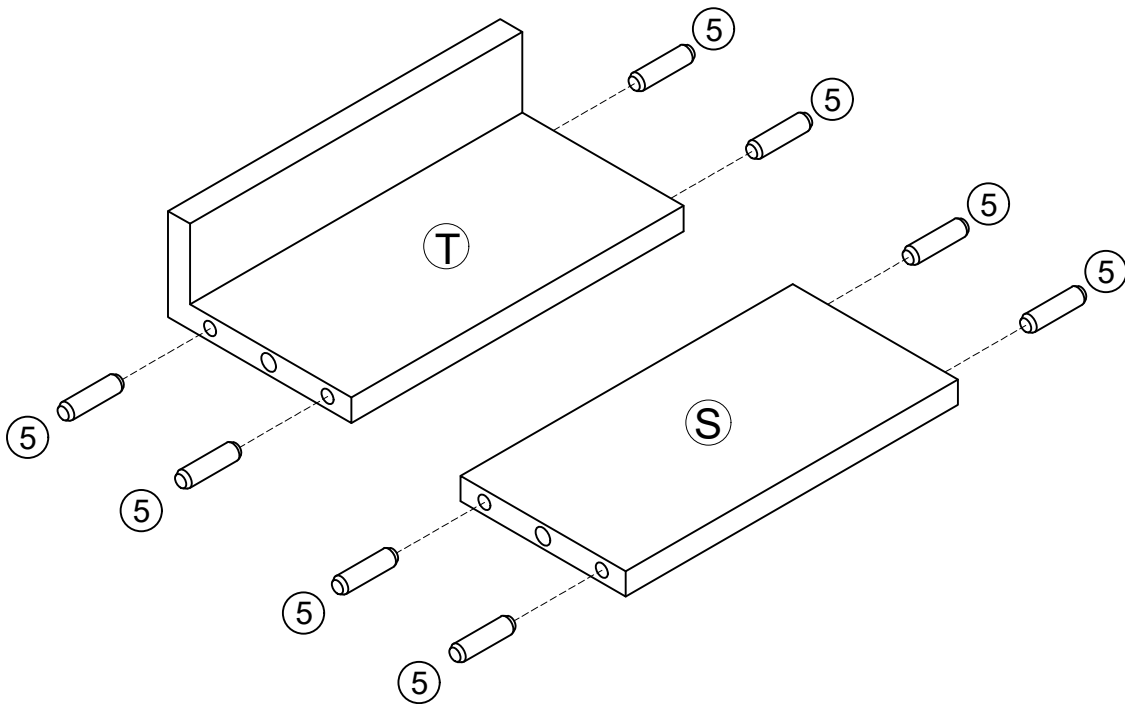


STEP 19


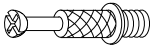


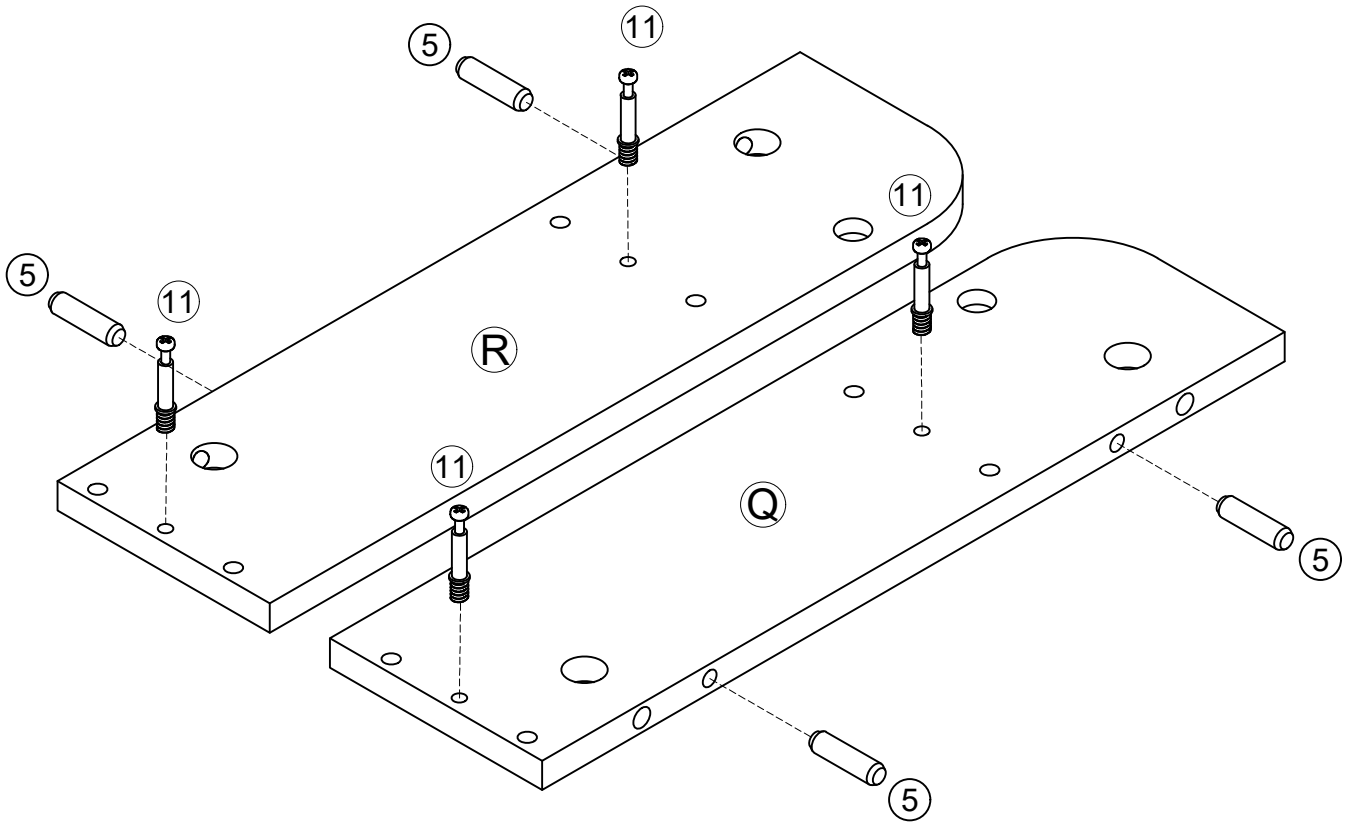
STEP 20

- ⑤  8pcs  
Ø6x30mm



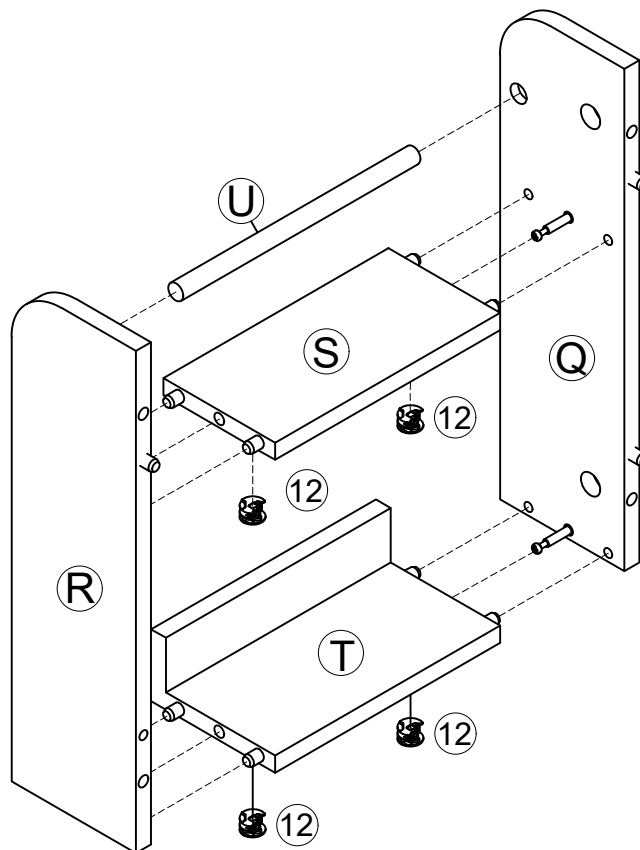
STEP 21

- ⑤  4pcs  
Ø6x30mm
- ⑪  4pcs  
Ø6x33mm



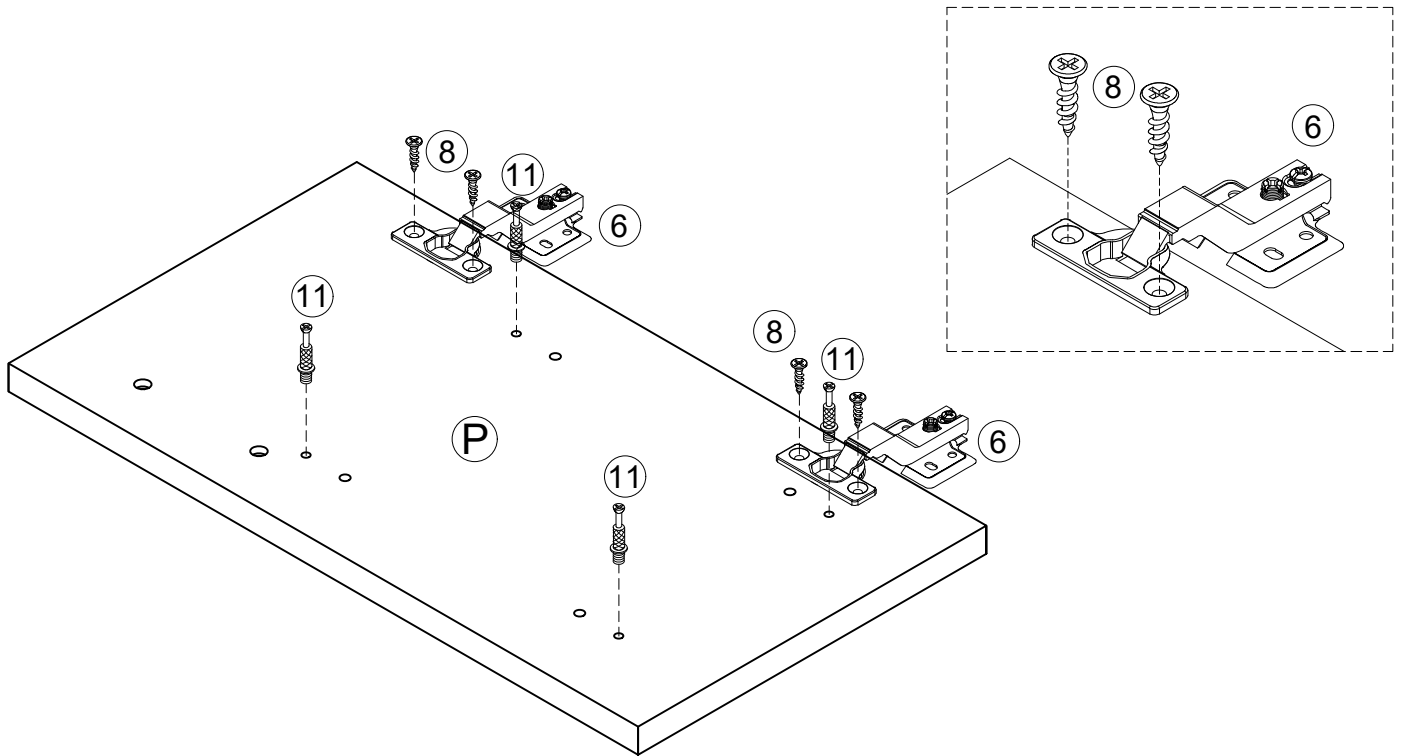
STEP 22

- ⑫  4pcs  
Ø15x9mm



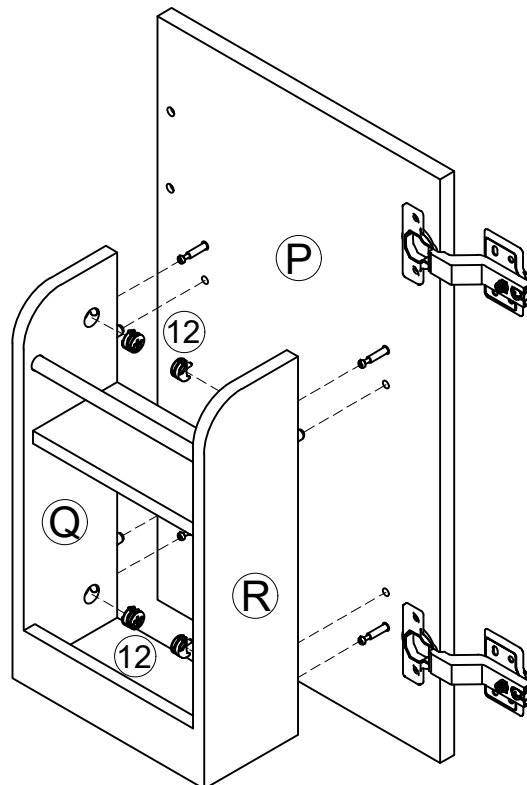
### STEP 23

- ⑥ 2pcs  
⑧  $\text{\O}4 \times 12 \text{mm}$  4pcs  
⑪  $\text{\O}6 \times 33 \text{mm}$  4pcs



### STEP 24

- ⑫  $\text{\O}15 \times 9 \text{mm}$  4pcs

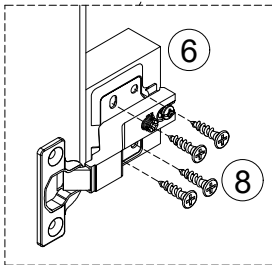
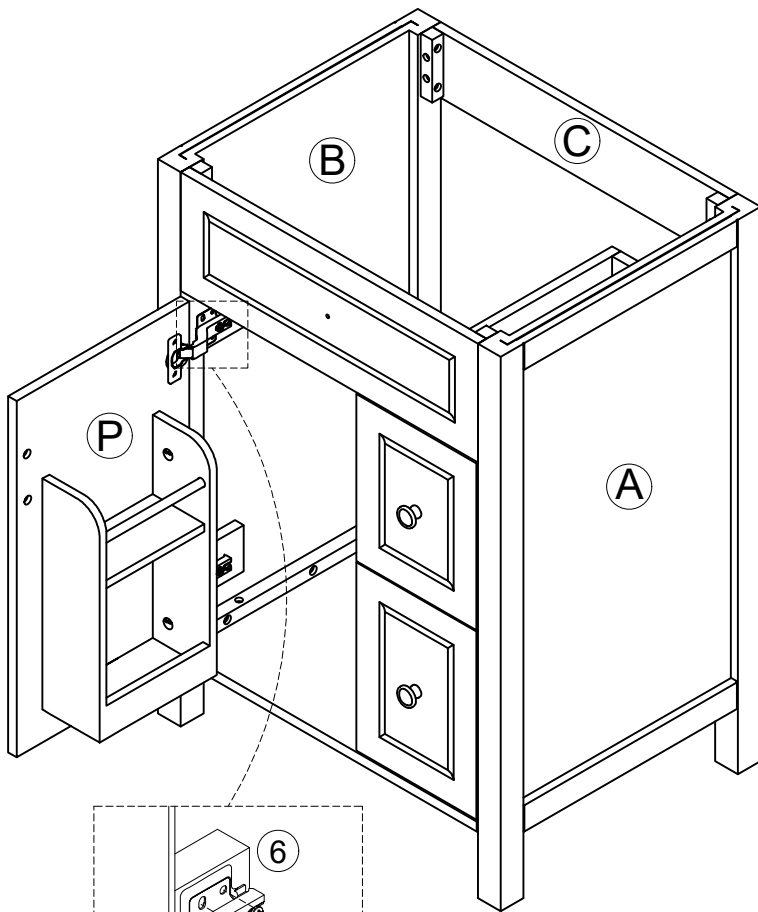
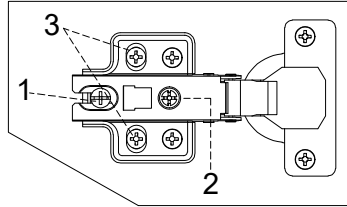


# STEP 25

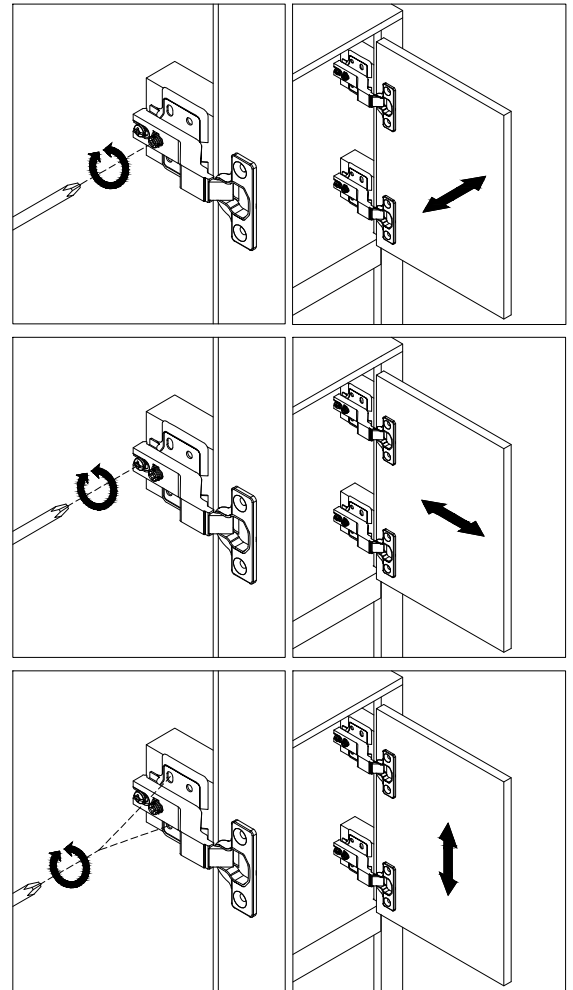
8  8pcs  
Ø4x12mm

Three-way adjustable hinge for perfectly aligned doors

- 1. TO ADJUST DOOR FORWARD OR BACKWARD.
- 2. TO ADJUST DOOR TO RIGHT OR TO LEFT.
- 3. TO ADJUST DOOR UP OR DOWN.



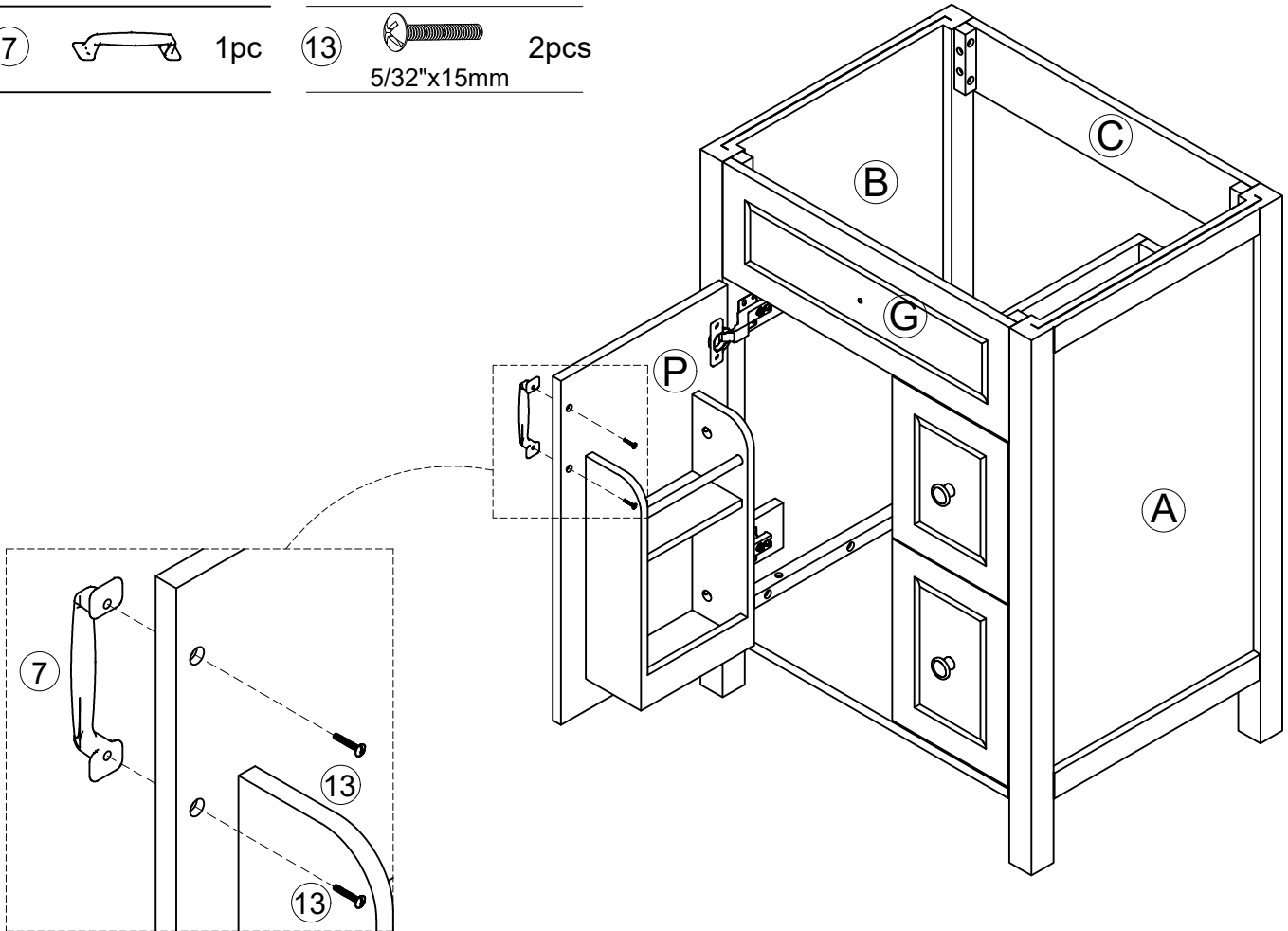
x2



STEP 26

7 1pc

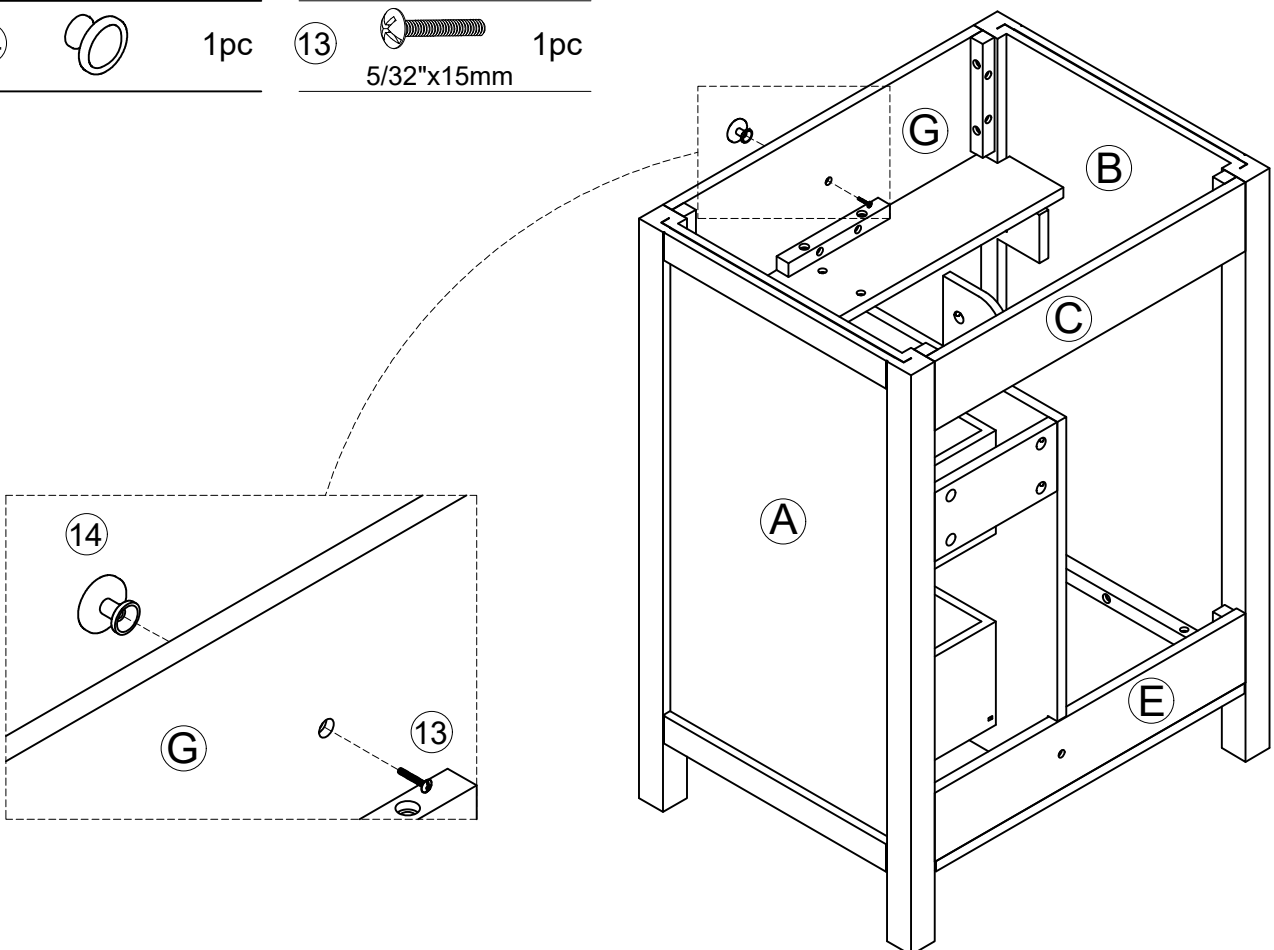
13 2pcs  
5/32"x15mm



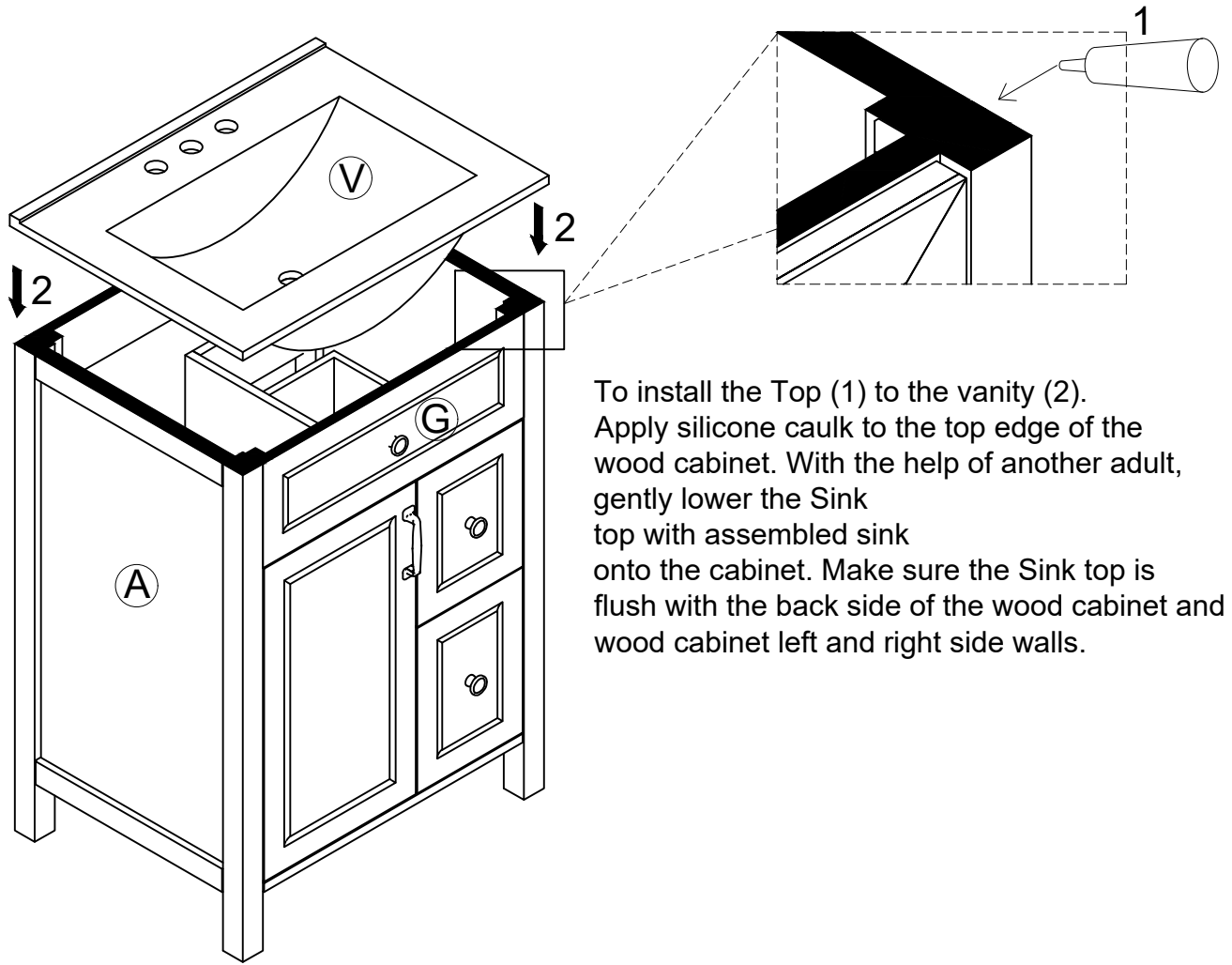
STEP 27

14 1pc

13 1pc  
5/32"x15mm



STEP 28



To install the Top (1) to the vanity (2). Apply silicone caulk to the top edge of the wood cabinet. With the help of another adult, gently lower the Sink top with assembled sink onto the cabinet. Make sure the Sink top is flush with the back side of the wood cabinet and the wood cabinet left and right side walls.

STEP 29

