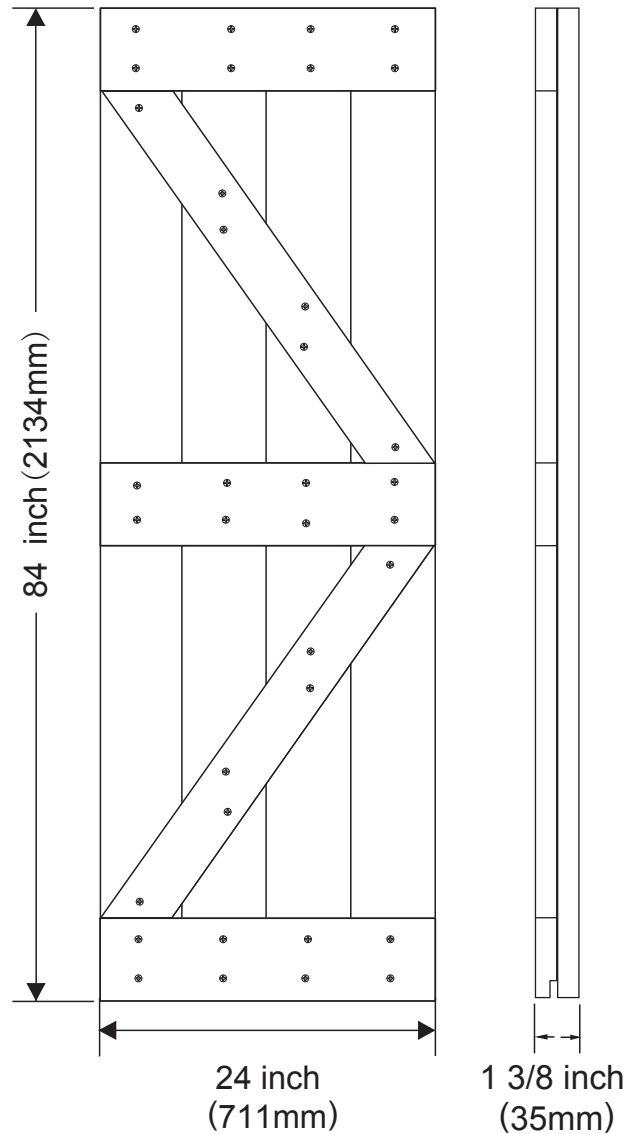


# D.I.Y. Wooden Barn Doors Use and Care Manual



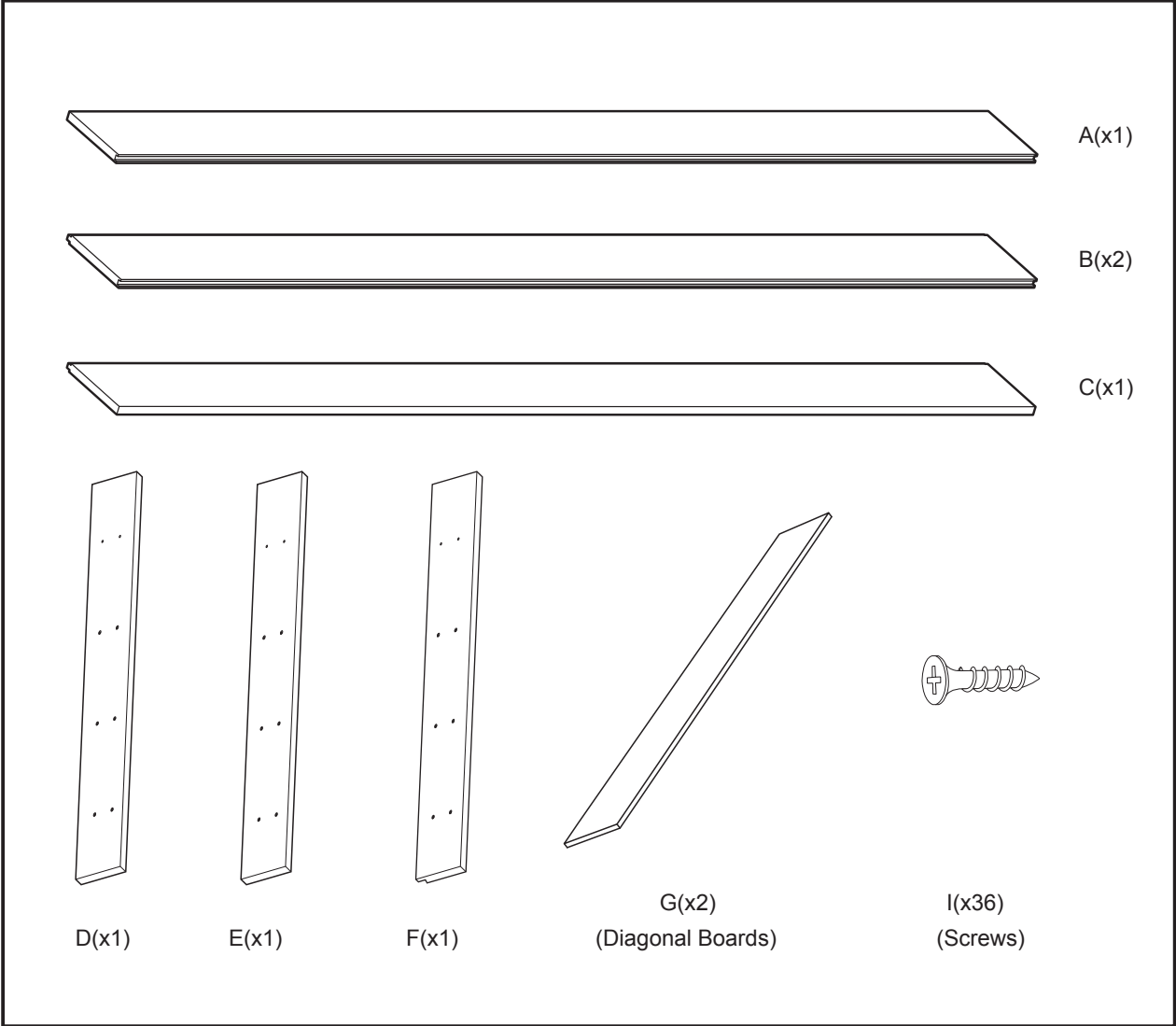
## Before Assembly:

D.I.Y. Wooden Barn Doors are made of pine wood grown in the US. Pine wood planks may warp, bow or cup due to heat and humidity. Door planks are strapped together tightly to prevent warping during the delivery.

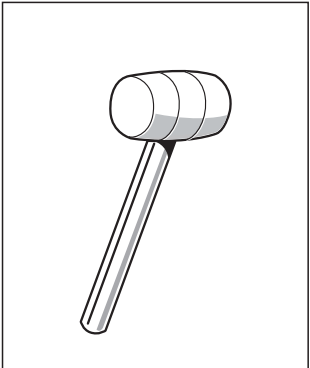
**It is recommended to keep door planks strapped until they are about to be assembled into a door.**

If any door plank(s) arrive(s) showing warping, bowing or cupping that may cause the door assembly unnecessarily difficult, please contact us immediately.

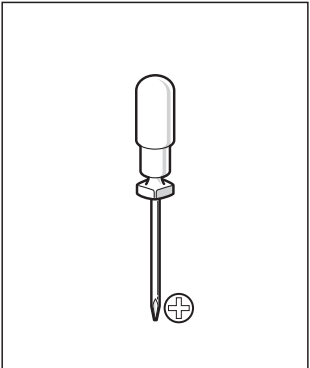
Main Components



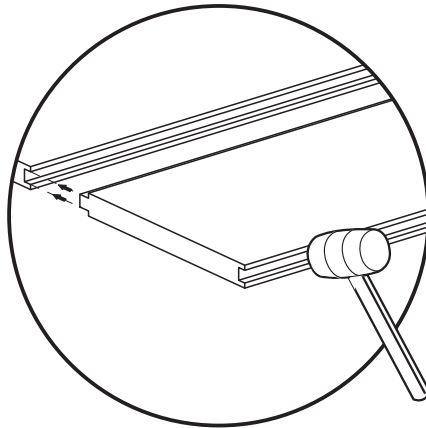
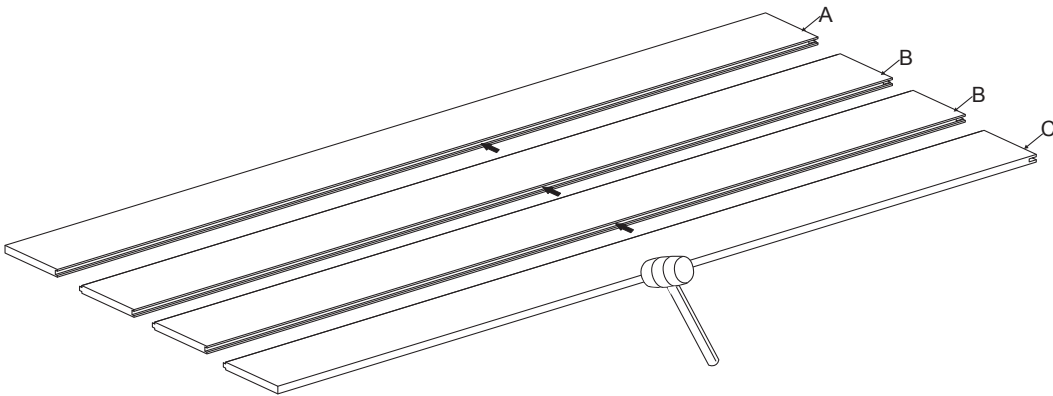
Tools Required



Mallet



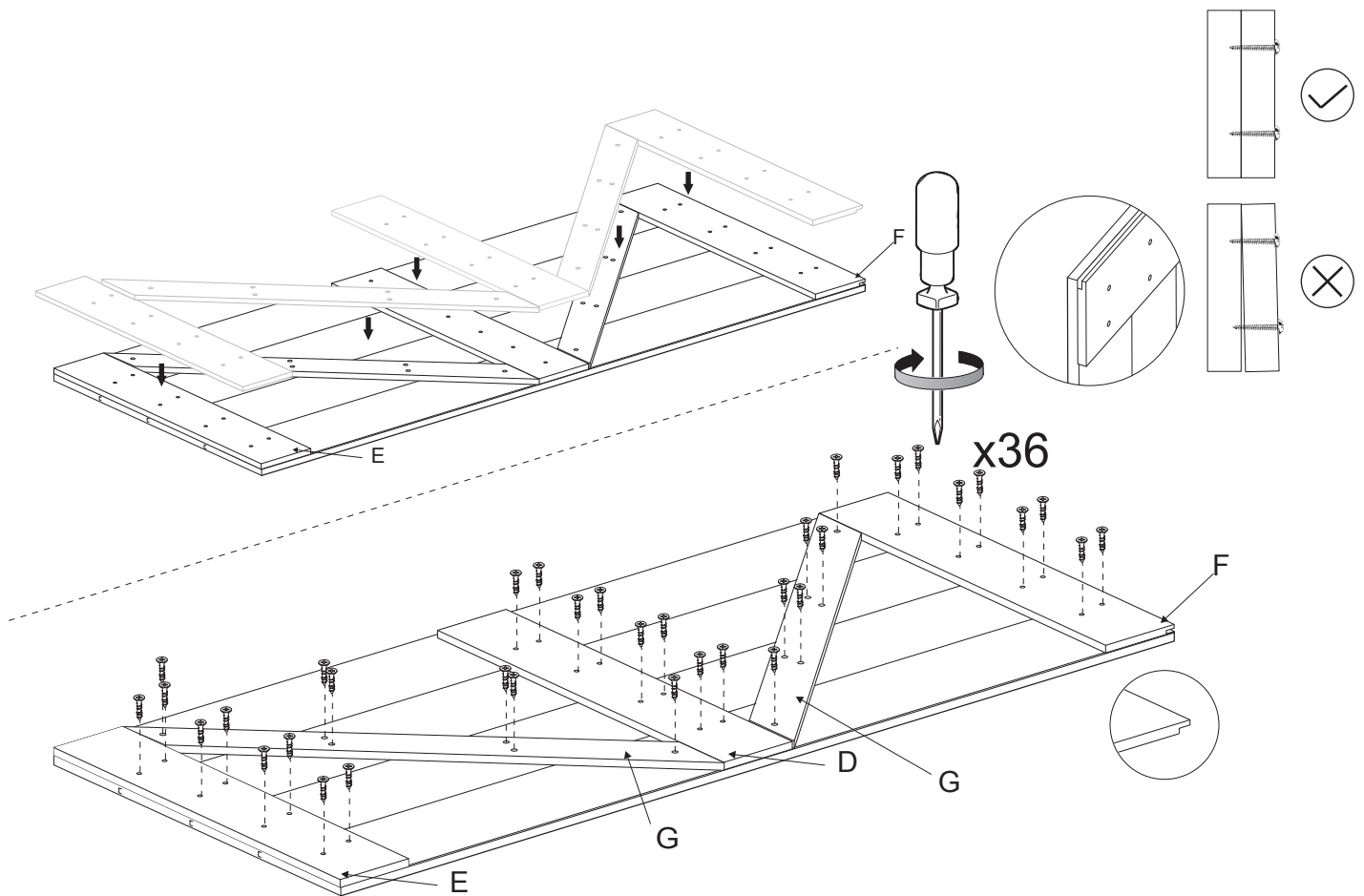
Phillips Screwdriver



### **Assembly:**

A hard object may cause scratches or dents on pine wood surface. Please use soft pads (cloth, thick paper) to cushion the hard object and door planks. Use a rubber mallet to align the planks.

1: lay out door planks A, Bx2, C on a flat surface. Use the straps (provided. avoid the buckles scatching wood surfaces) to tighten the planks until the width is 24 in.



2: lay out overlay planks D, E and F.

The distances between D-E (top half) and D-F (bottom half) should be approximately 32 in.

3: Insert screws into pilot holes.

Use clamps (and soft pads to protect) to hold planks firmly and leave no space between when inserting screws.

4: lay out overlay planks Gx2.

NH-DOOR-DIY-24-M can be assembled into 4 different overlay patterns depending on the positions of the planks Gx2: left V, right V, double Z and double reverse Z.

### After Assembly:

The assembled door is ready to be stained or painted. Please follow the wood stain/paint instructions.

- (1) visually check the door surface;
  - (2) use wood filler to fill any unwanted holes or blemishes;
  - (3) sand the door surface to remove dirt, grease, glue and handling marks;
  - (4) apply pre-stain conditioner before the stain helps the pine wood absorb the stain evenly;
  - (5) apply more than one coat of stain. Let the stain dry completely and sand lightly between coats;
  - (6) apply at least two coats of finishes or sealers such as polyurethane to protect the surface.
- (Additional coats of sealers are especially important for door use at bathroom or kitchen areas.)