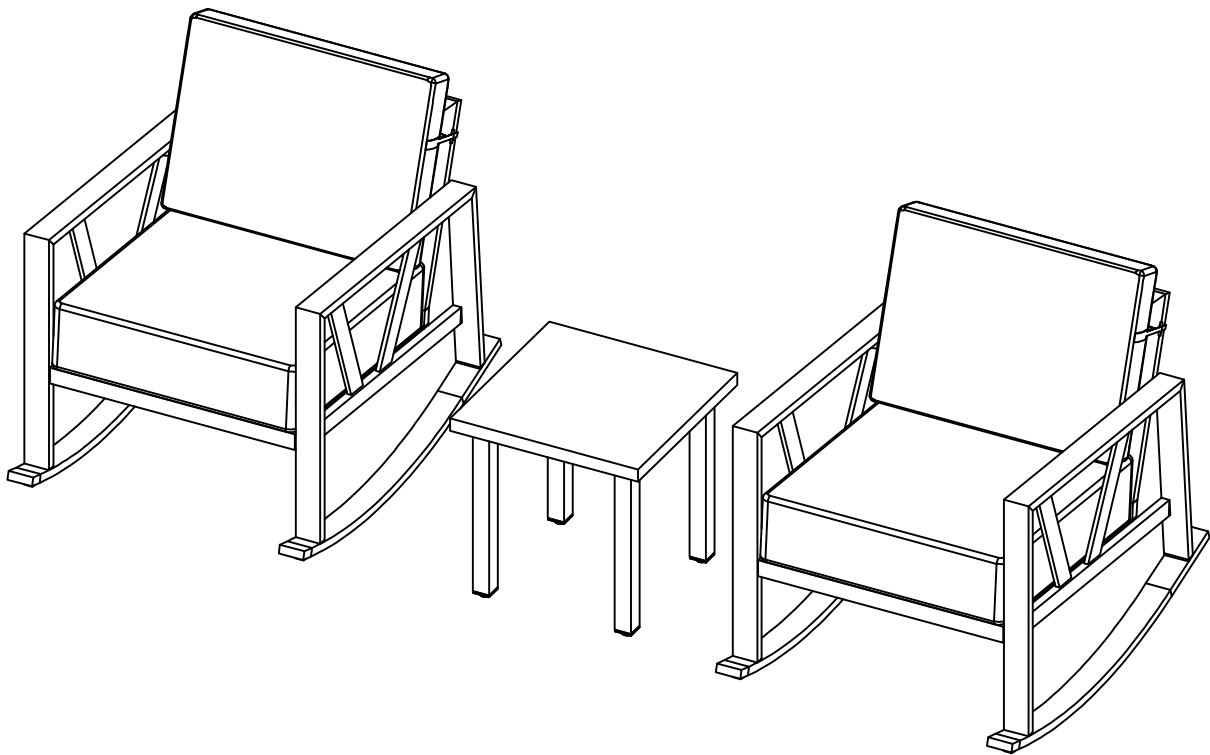


Comlax FIELD

3pcs Rocking Set
Assembly & Care instructions
Model number: RS24098-B3

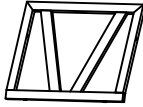
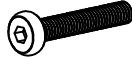
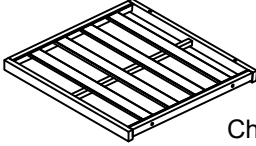

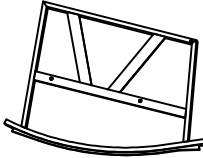

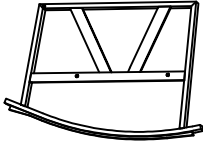
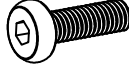


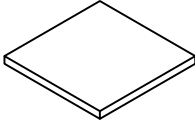

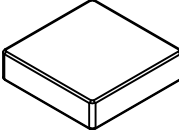
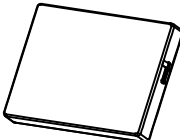


Warning

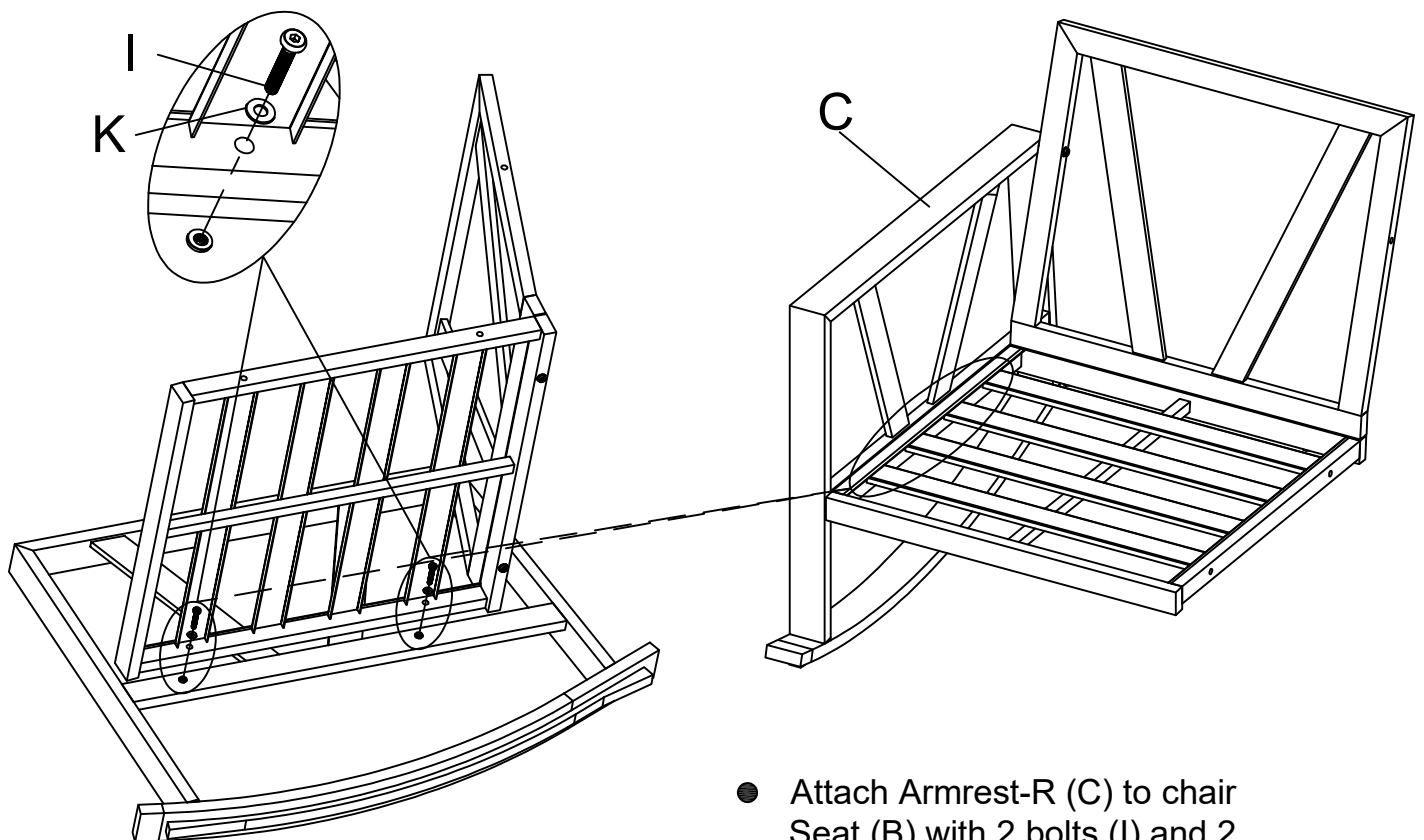
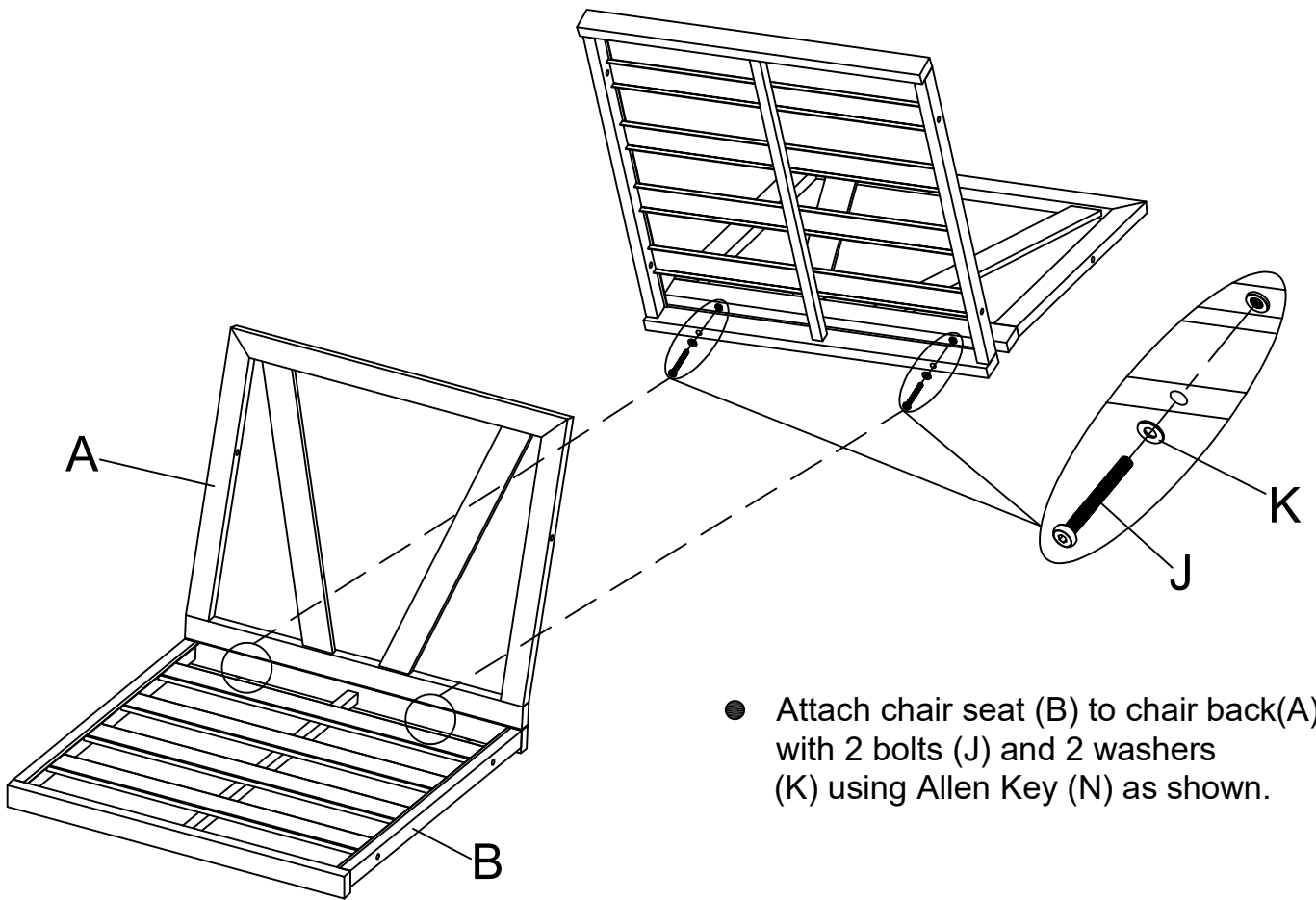
1. This set is mixed packed into 2 boxes, pls wait one more day if does not arrive on the same day.
2. Pls confirm all parts correct before assemble.
3. Do not tighten fastening fully until assembly is completed.
4. DO NOT USE POWER TOOLS. Power tools can overtighten screws and strip threads.
5. Please read & retain this manual for future reference .
6. Maximum Load: Chair 350lbs & Table 125lbs.
7. Vacuum-compressed seat cushions will return to its normal shape after 2 days of use.

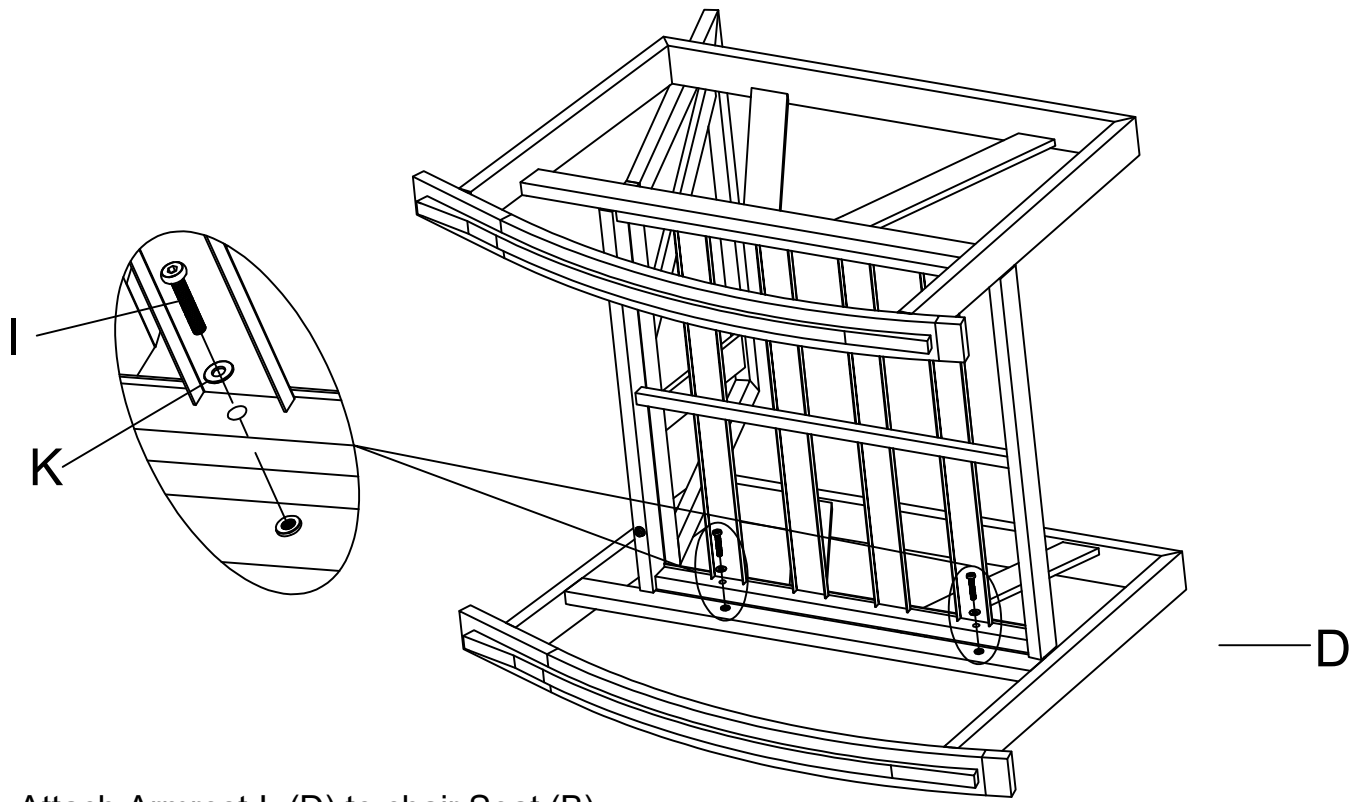
If you have any questions, feel free to contact us info@comlax-intl.com

PARTS LIST

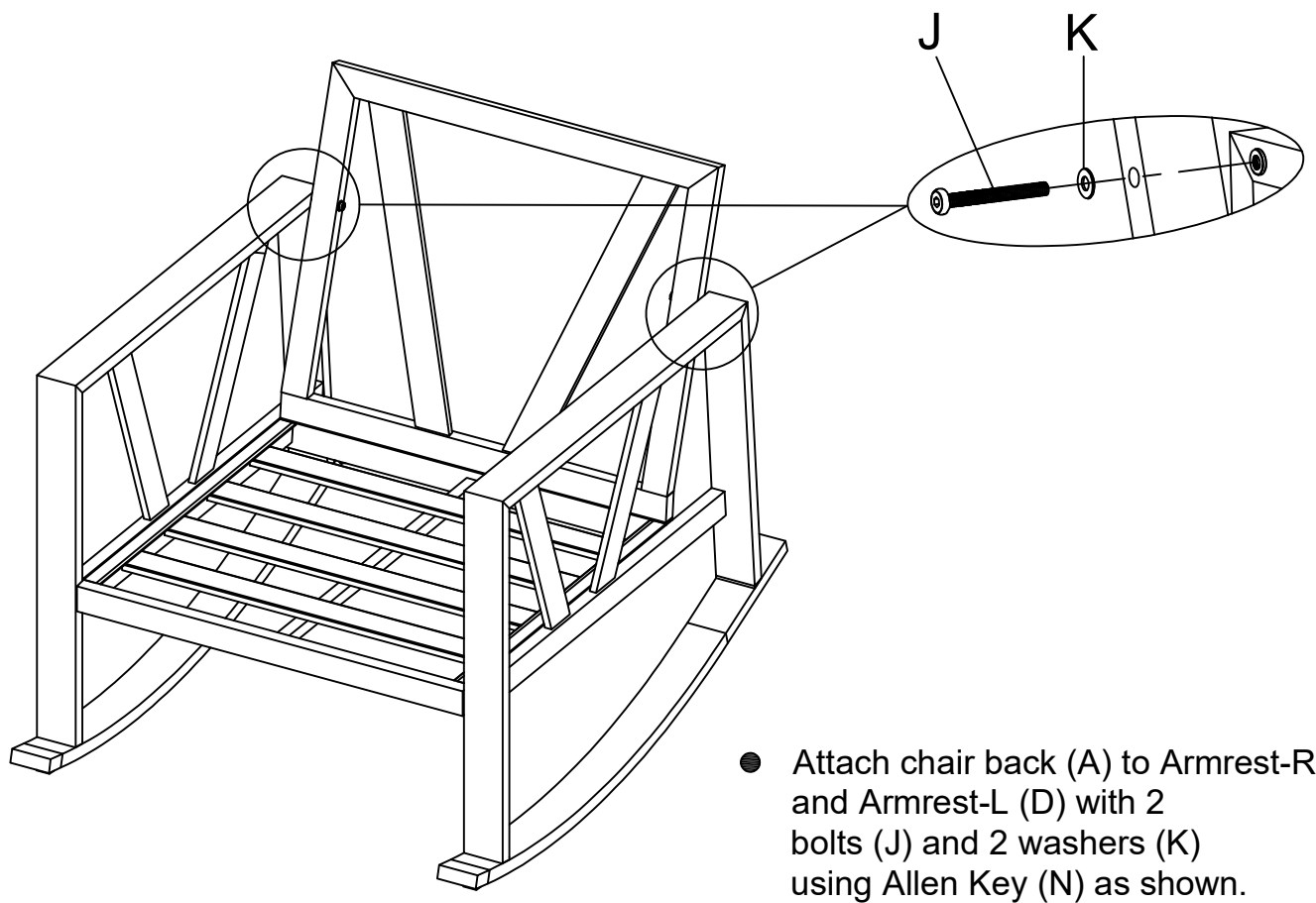
CODE	PARTS	QTY.	CODE	PARTS	QTY.
A	 Chair Back	2pcs	I	 M6x35mm	8pcs
B	 Chair Seat	2pcs	J	 M6x55mm	8pcs
C	 Armrest-R	2pcs	K	 Washer Ø6*14	28pcs
D	 Armrest-L	2pcs	L	 M6*15mm	12pcs
E	 Table leg	4pcs	M	 Bolt Cap (M6)	28pcs
F	 Table Top	1pcs	N	 Allen Key	1pcs
G	 Seat Cushion	2pcs			
H	 Back Cushion	2pcs			

ATTENTION: Do not fully tighten until assembly is complete!

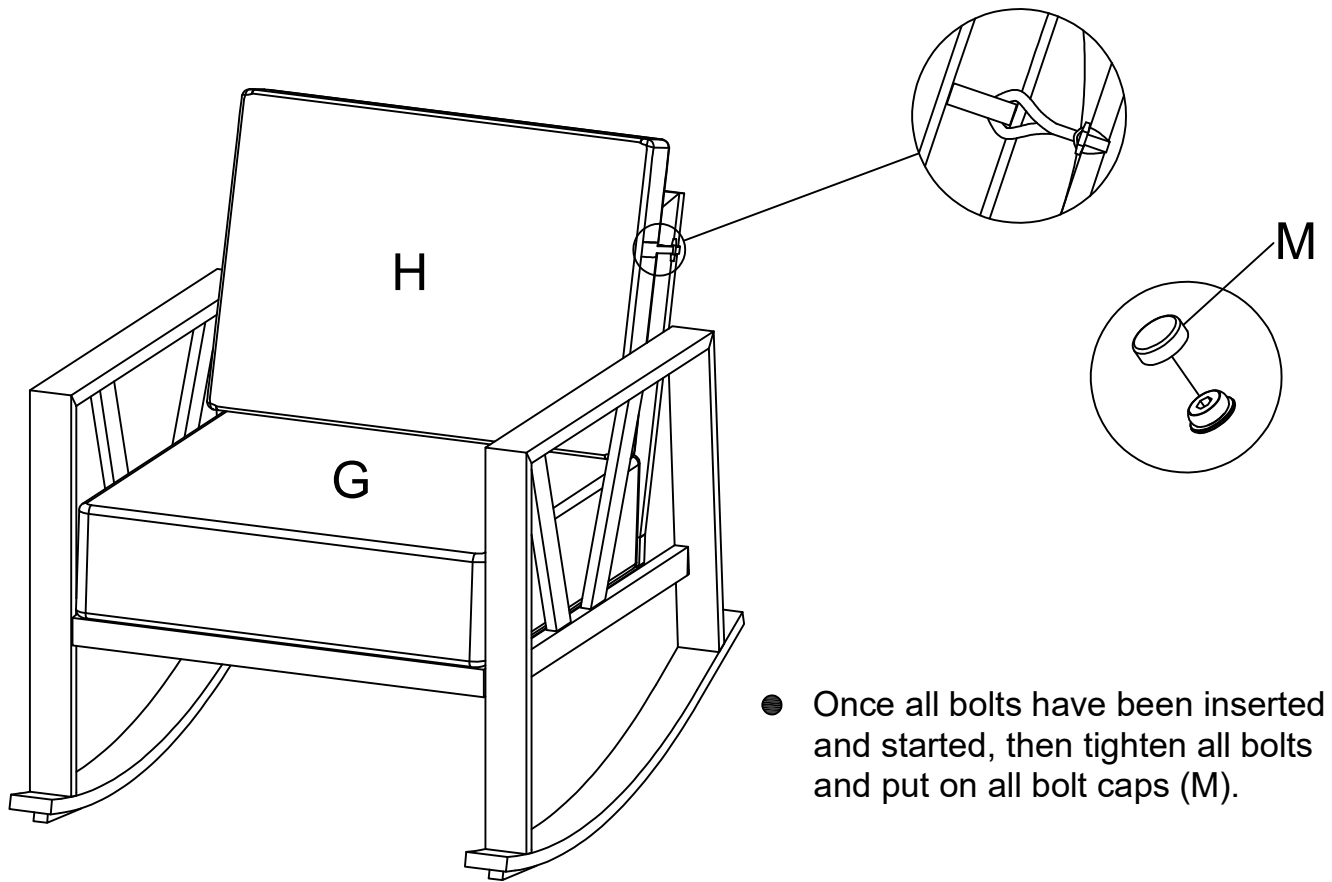




- Attach Armrest-L (D) to chair Seat (B) with 2 bolts (I) and 2 washers (K) using Allen Key (N) as shown.



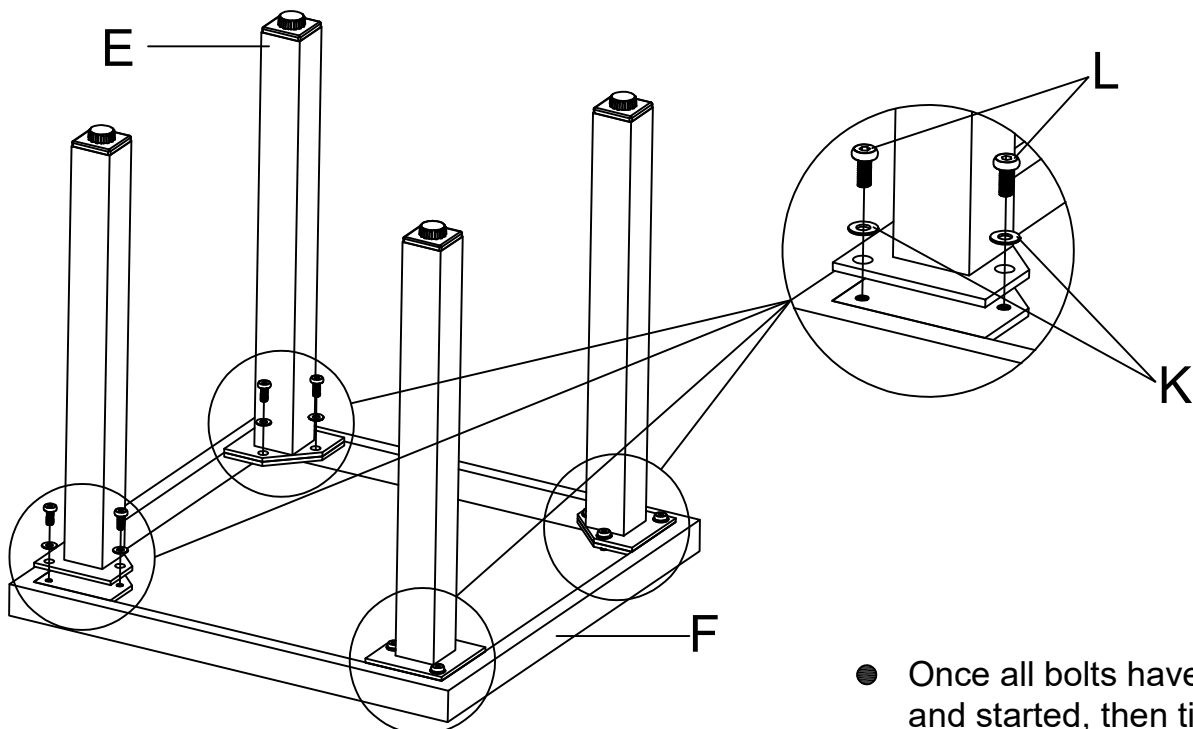
- Attach chair back (A) to Armrest-R (C) and Armrest-L (D) with 2 bolts (J) and 2 washers (K) using Allen Key (N) as shown.



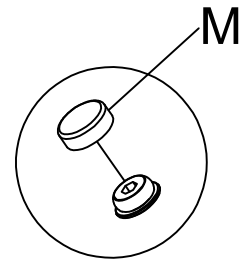
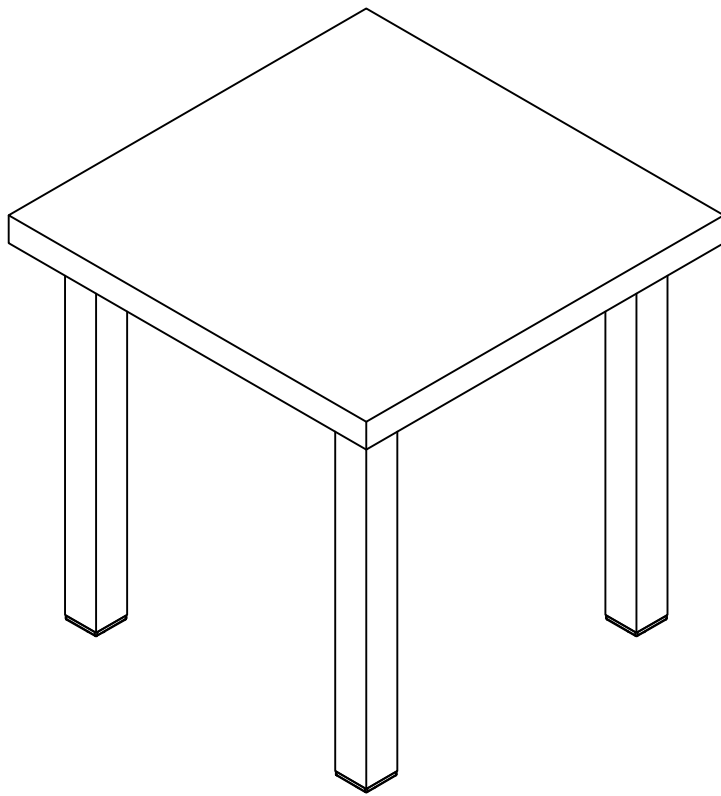
- Once all bolts have been inserted and started, then tighten all bolts and put on all bolt caps (M).
- Place seat cushion (G) and back cushion (H) as shown.

ATTENTION: Do not fully tighten until assembly is complete!

- Attach 4 Table legs (E) to Table Top (F) with 12 bolts (L) and 12 washers (K) using Allen Key (N) as shown.



- Once all bolts have been inserted and started, then tighten all bolts.



- Once all bolts have been inserted and started, then tighten all bolts and put on all bolt caps (M).
- Level the table with adjustable feet cap if necessary.



Thanks for choosing Comlax FIELD collection.

If you have any questions, inquires or suggestions, pls contact us directly.
Always best services stand by.

Customer service email: info@comlax-intl.com

Attention: Products returned directly without permission will be rejected!

! **WARNING:** This product can expose you to chemicals including Di(2-ethylhexyl) phthalate (DEHP), which is known to the State of California to cause cancer, and birth defects or other reproductive harm. For more information go to www.P65Warnings.ca.gov.