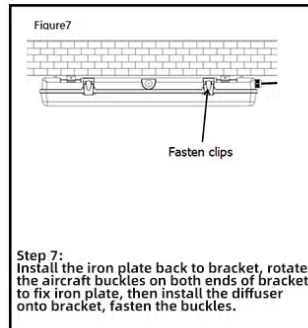
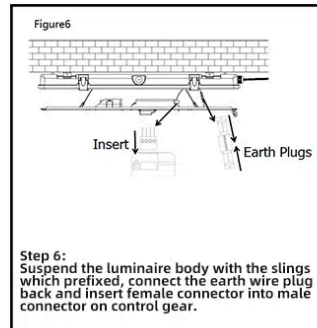
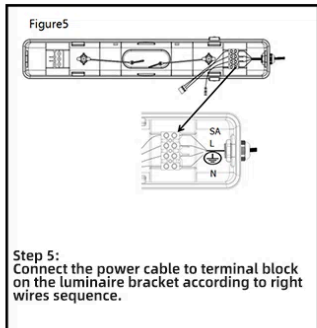
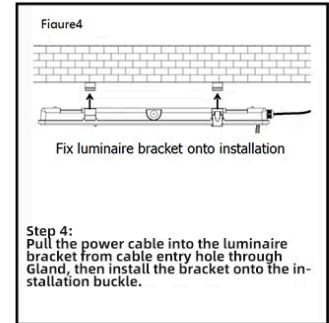
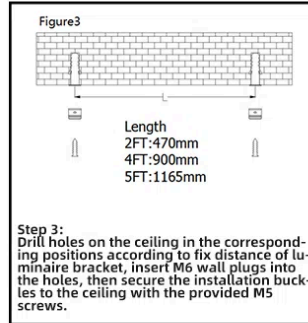
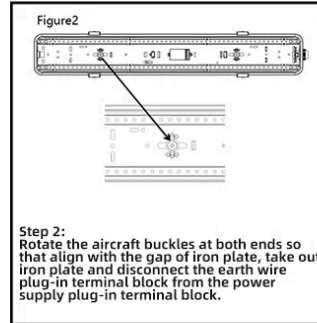
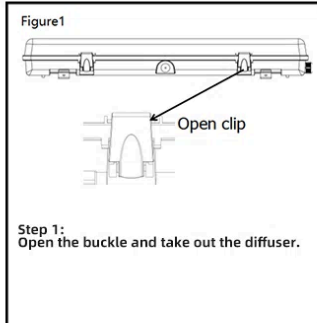
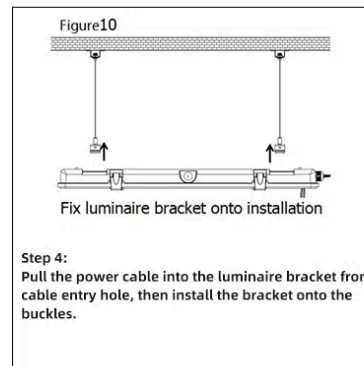
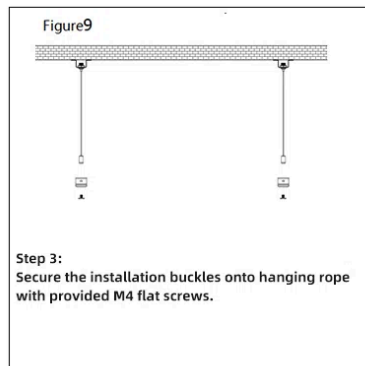
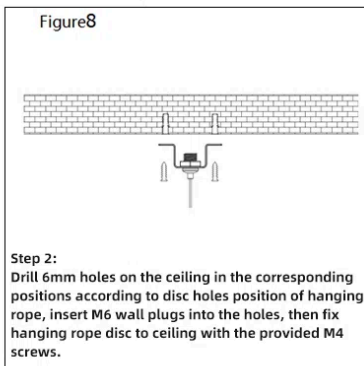


1.Surface Mount




2.Suspend Mount



Step 1:
Separate the luminaire body from the luminaire bracket, refer to the step 1 of Surface Mount.

Step 5:
Refer to the 4,5,6 steps of Surface Mount.

 **Warning: Turn off the power before installation**