

## 5 Tier Bookshelf

**NOTE:**

The instruction booklet contains **IMPORTANT** safety information Please read and keep for future reference.

## OUR BRAND

Since 2013, We have been dedicated to providing customers with quality products and exceptional service and has prospered into one of the nation's largest retailers of indoor and outdoor home décor. Every product is carefully selected to ensure they meet our standards as well as your standards. We believe quality should never be determined by price which is why We are committed to providing high end merchandise at the absolute lowest cost.

---



Estimated Time for Assembly

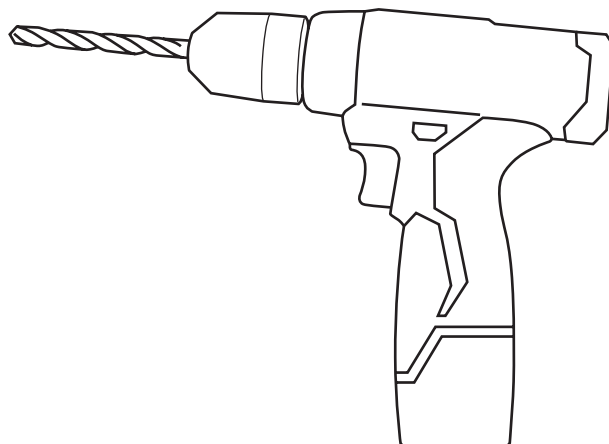
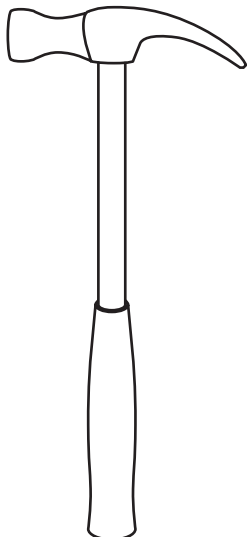
**35:00**



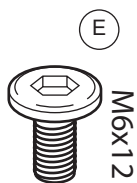
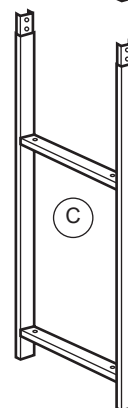
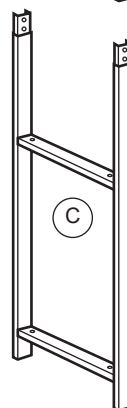
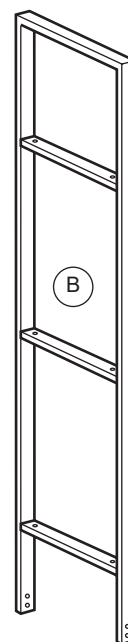
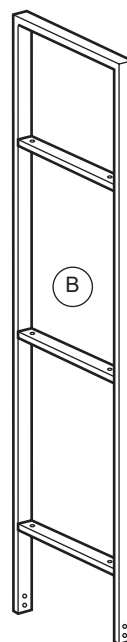
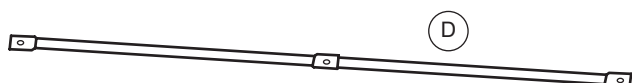
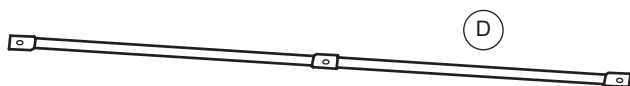
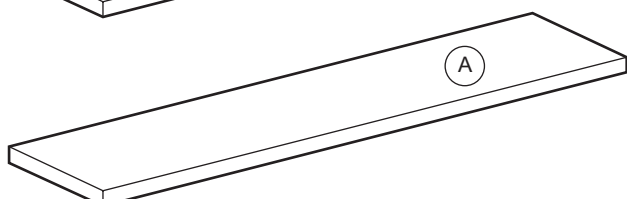
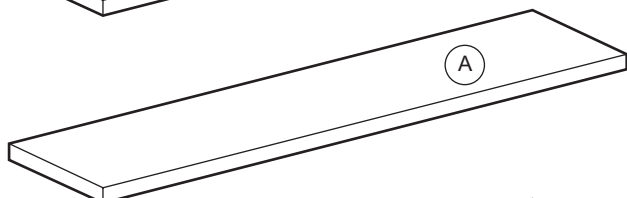
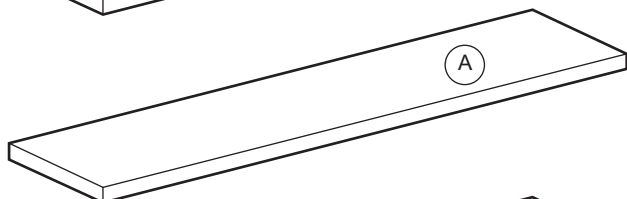
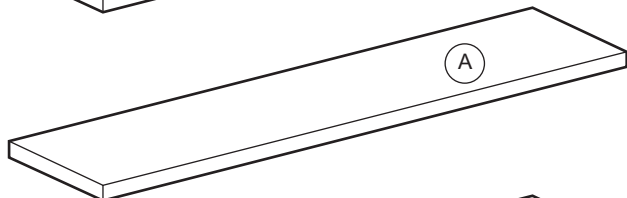
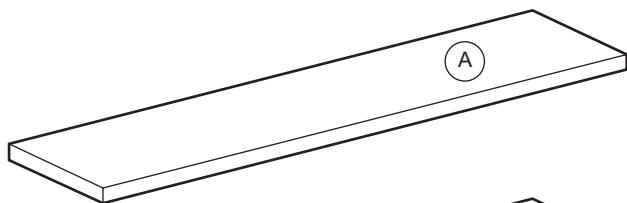
Weight Limitation

**60lb** per shelf

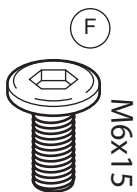
### Tools Needed



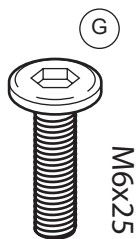
# PACKAGE CONTENT



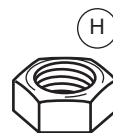
12x



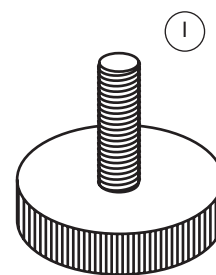
1x



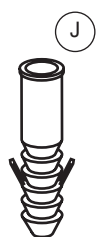
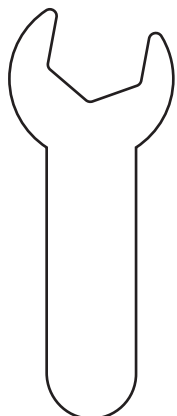
20x



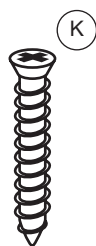
1x



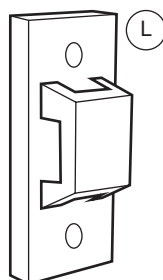
4x



4x



4x

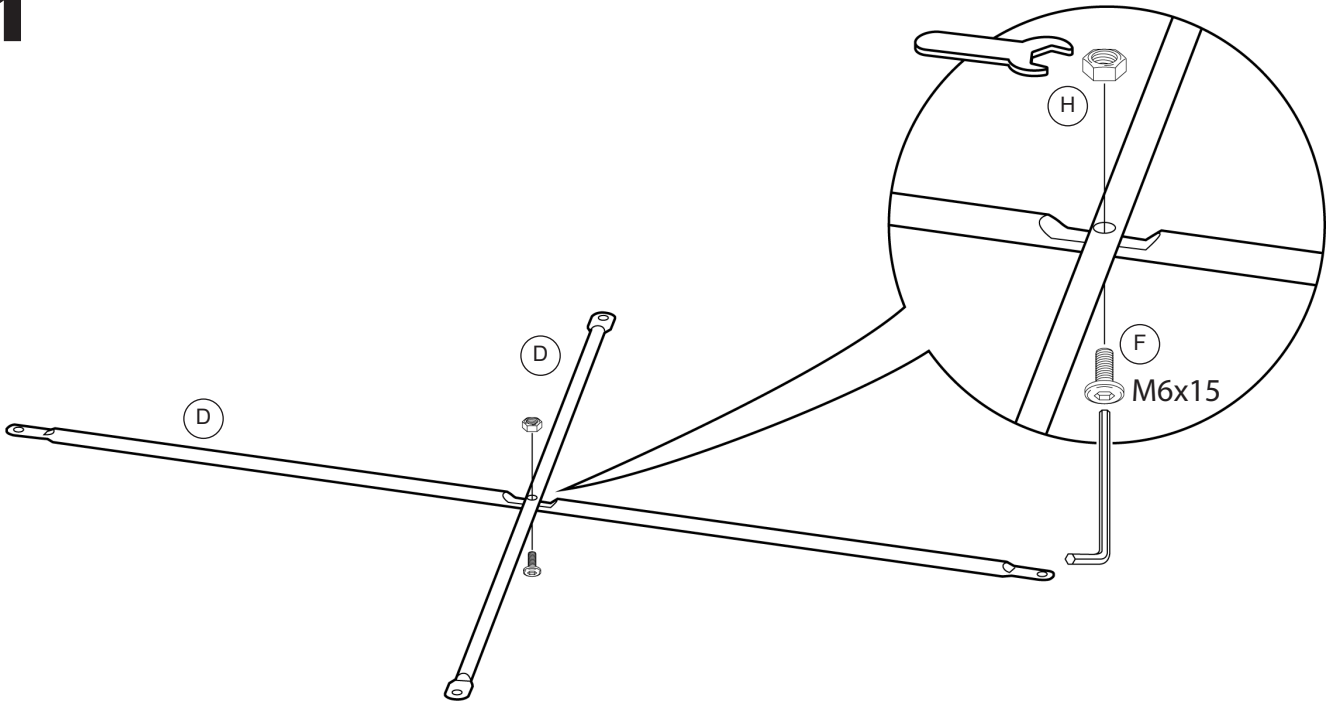


2x

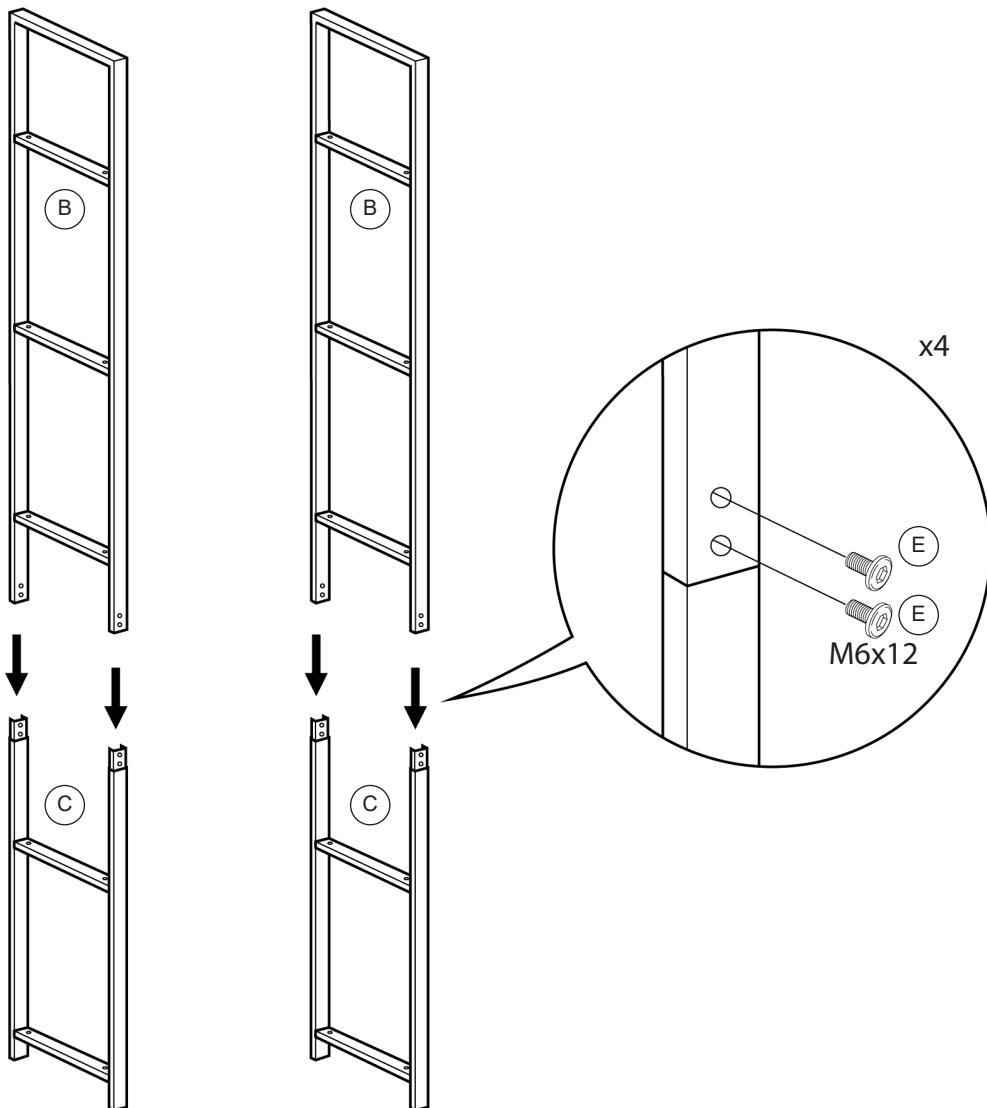


2x

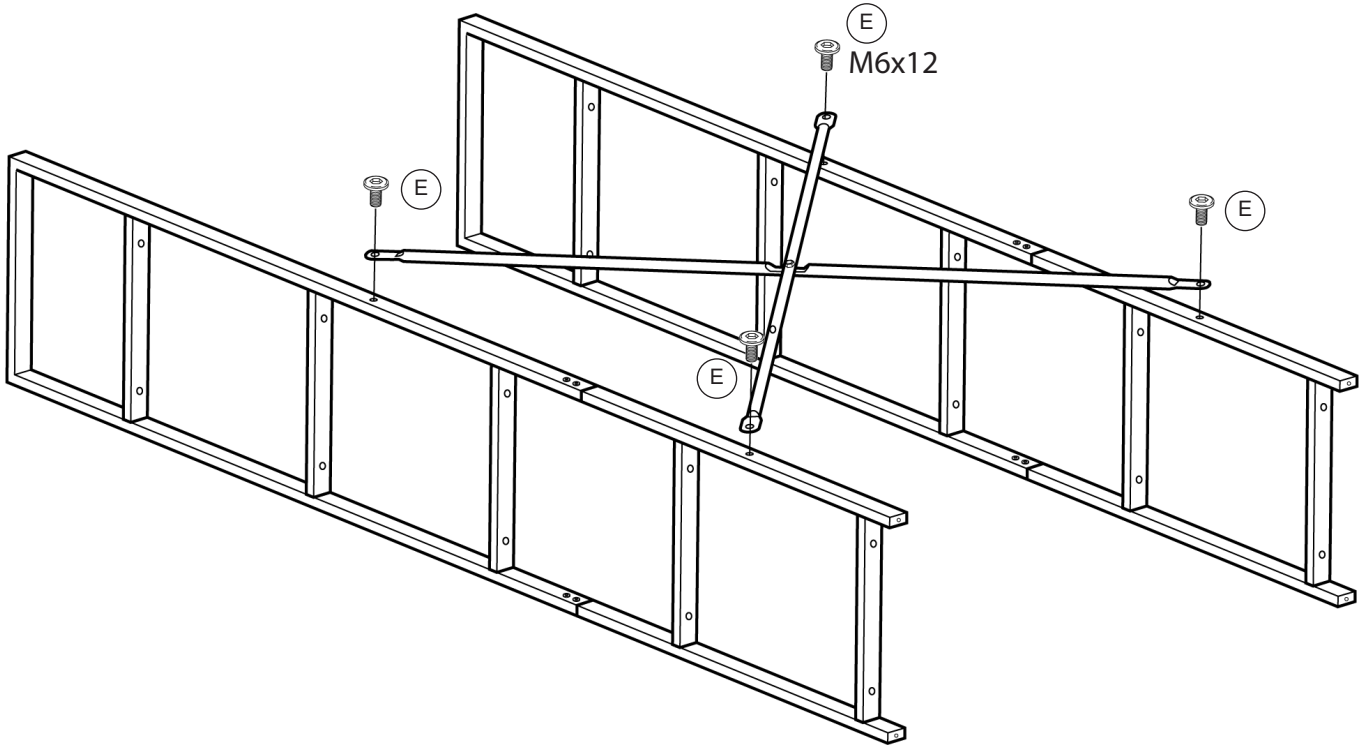
# 1



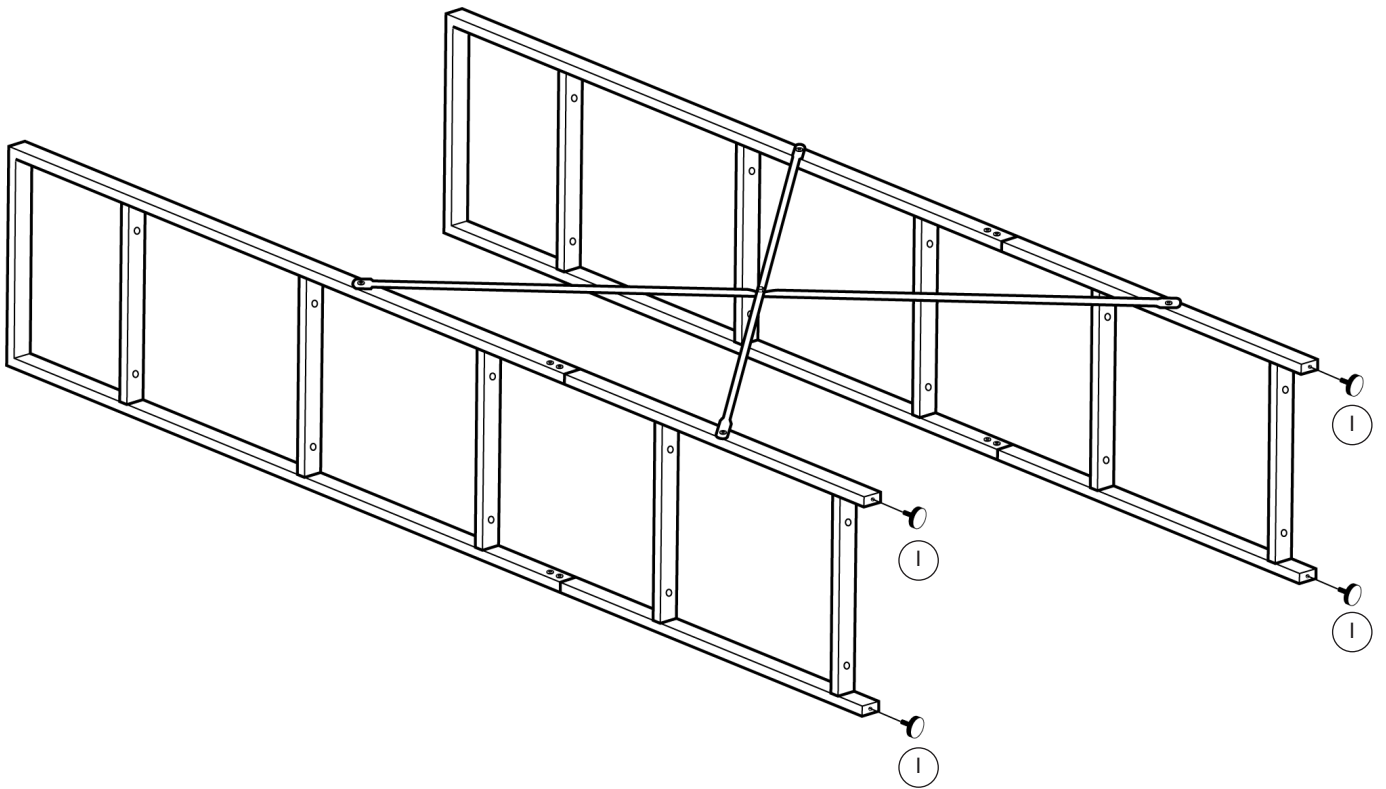
# 2



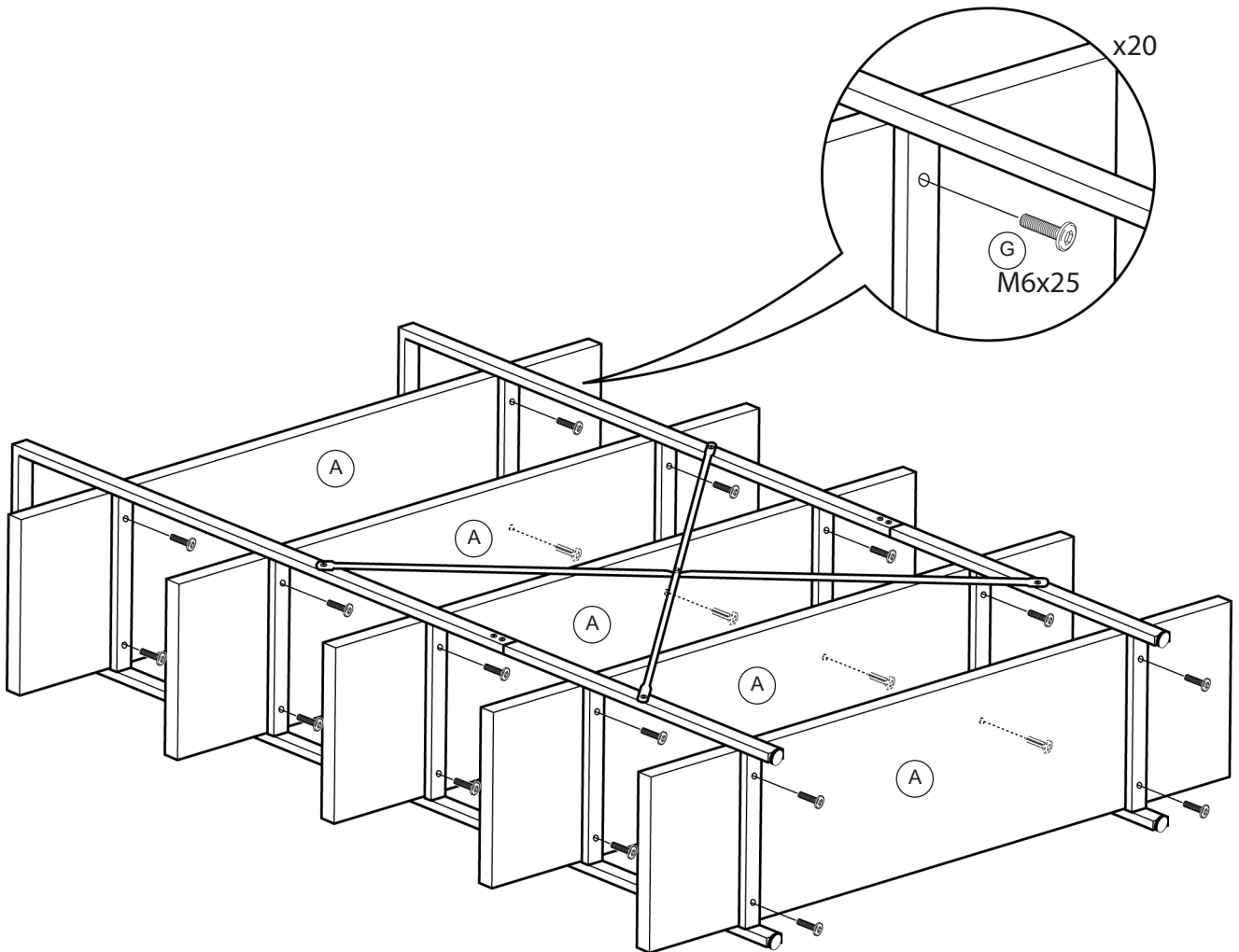
**3**



**4**

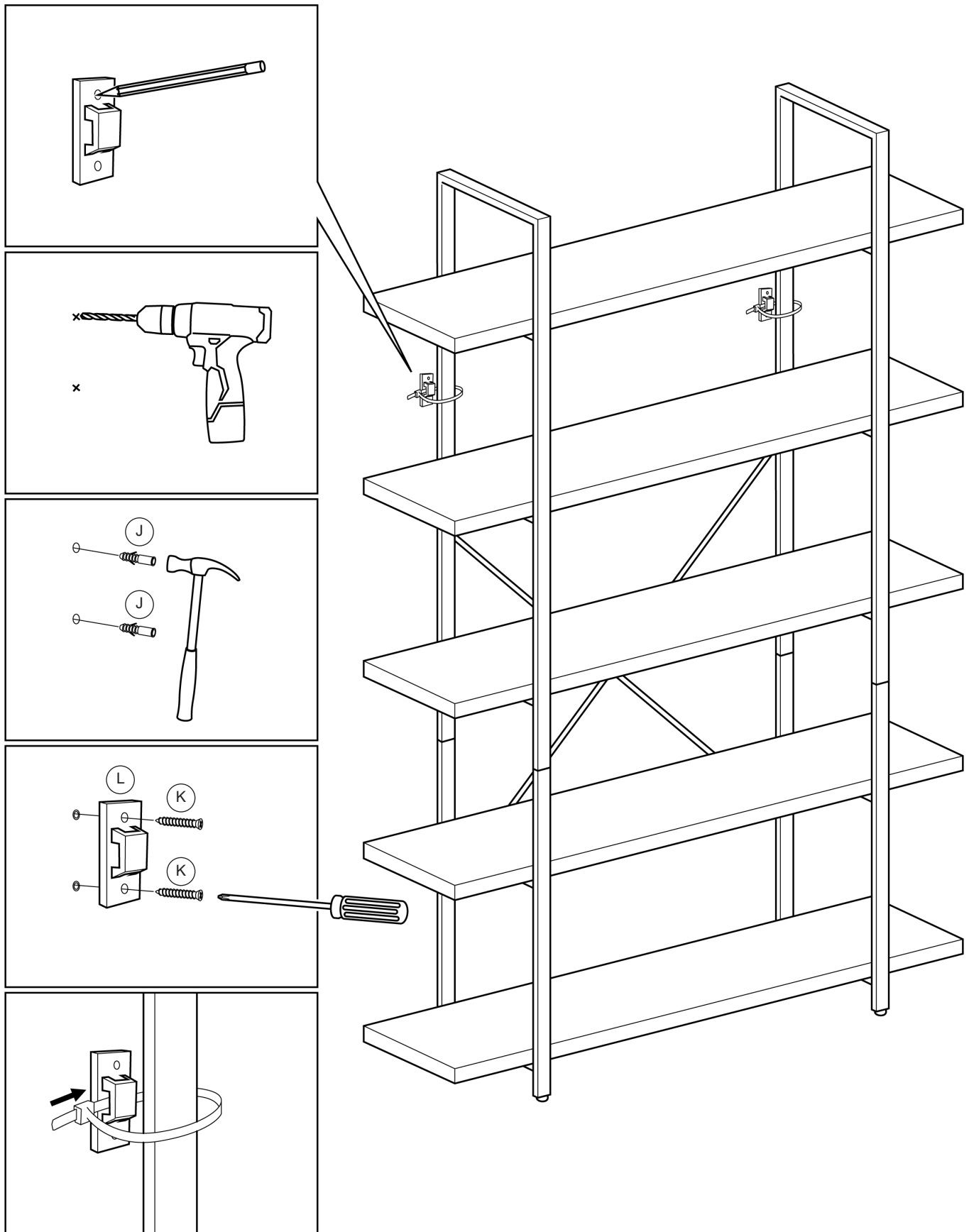


5

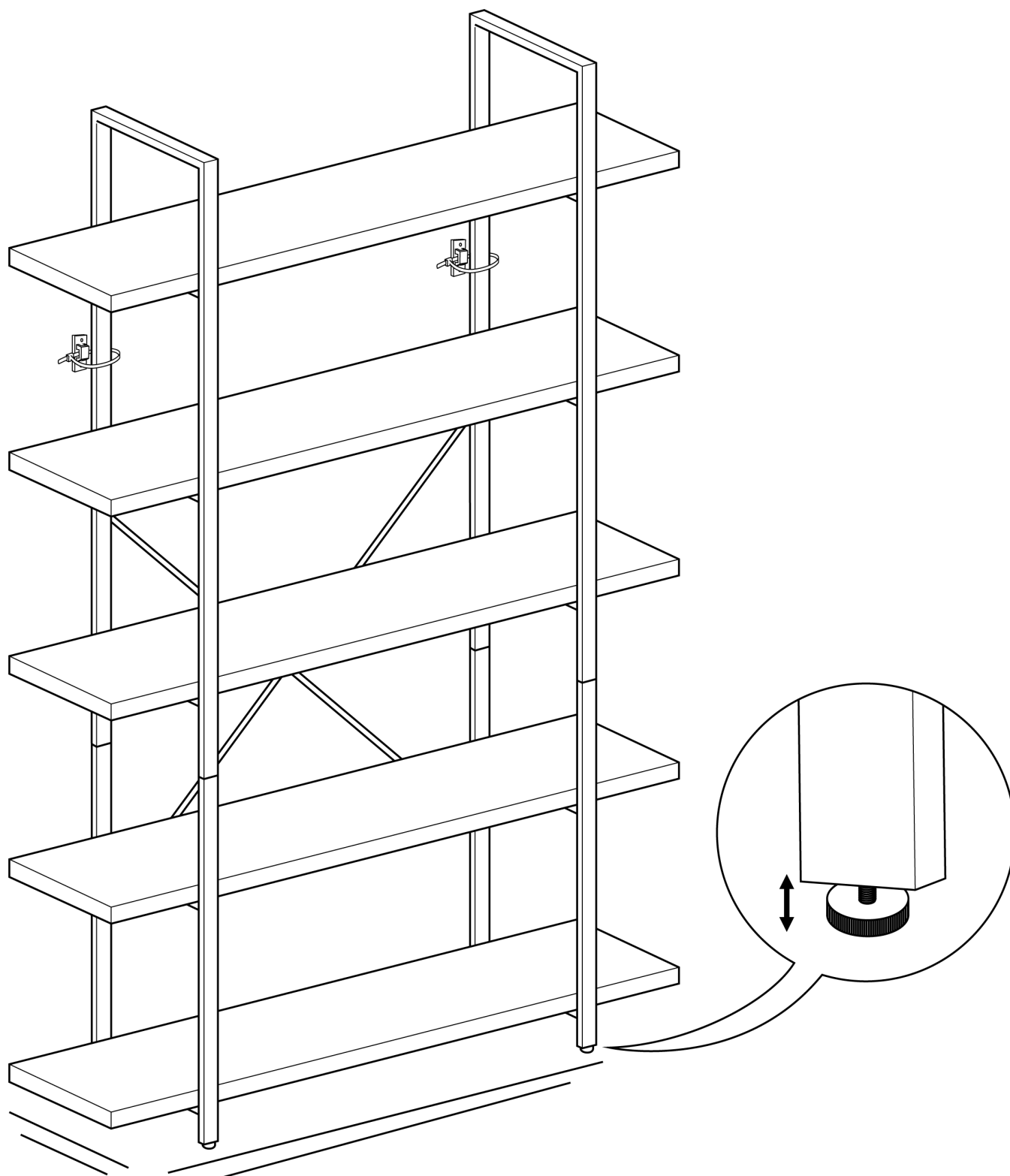


6

# 6



7



### Warranty

Our products come with a 1 year warranty from the date of purchase. In any event that the product arrives damaged or missing parts, we are more than happy to provide you with replacement part(s).

**FINISH!**

8