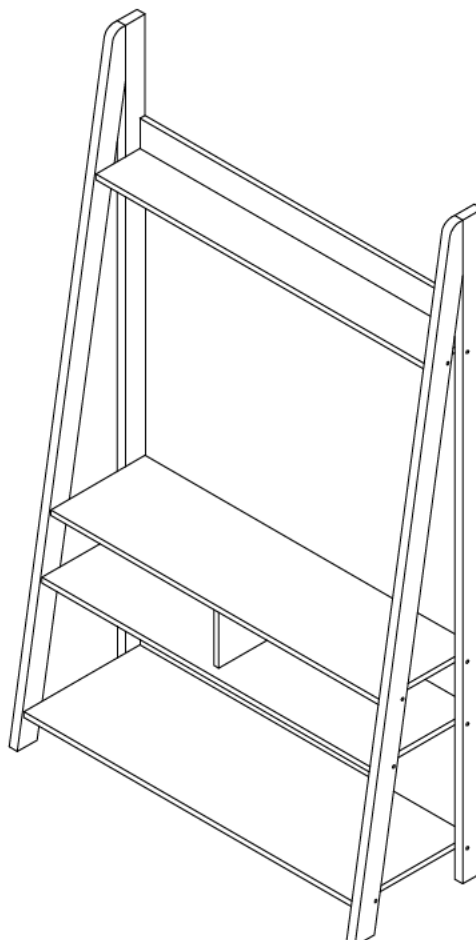



Assembly Instructions - Please keep for future reference








PLEASE KEEP THE ORIGINAL PACKAGING UNTIL THE ITEM IS FULLY ASSEMBLED AND IN PLACE. IN THE UNLIKELY EVENT THAT YOU NEED TO RETURN YOUR PRODUCT, IT MUST BE RETURNED IN ITS ORIGINAL PACKAGING TO AVOID FURTHER DAMAGE. FAILURE TO COMPLY TO THESE PROCEDURES, NO RETURN'S WILL BE ACCEPTED.



No. people	Assembly Time
	1 Hour (approx.)

**" SHOULD IT BE NECESSARY TO RETURN THIS PRODUCT FOR ANY REASON,
IT MUST BE RETURNED IN ITS ORIGINAL PACKAGING"**

Important: Read carefully

-  Please check you have **all parts listed** on your assembly sheet. In the unlikely event that any parts are missing, please contact your retailer immediately.
-  Do not use any other tools than those **listed** on your assembly sheet / tools provided. Use of power tools could damage your product and returns would not be accepted back in these circumstances. Use of power tools could also make your product unsafe due to **overtightening**.
-  Depending on the amount of use your product receives, it may be necessary to **tighten the fixings** from time to time.
-  Assemble your product on a **soft surface** to **avoid scratching** and also preferably in the room intended for use to **avoid having to move the product unnecessarily** once assembled.
-  For **cleaning** please use a **clean damp cloth** or duster. Use of **abrasive or chemical cleaners** will most likely **scratch or damage the surface** of your product. We do not accept returns for damages arising from **incorrect care** of products.
-  Please **keep the original packaging until your item is fully assembled and in place**. In the unlikely event you need to return your product, it must be returned back in its **original packaging** to avoid any damage.
-  The surface of this item is **not heat resistant**. Please use a mat under hot, cold or wet items to prevent **marking**.

⚠ WARNING !

IMPORTANT - IN ORDER TO HELP PREVENT OVERTURNING, THIS PRODUCT MUST BE USED WITH THE WALL ANTI-TOPPLE STRAP / DEVICE PROVIDED.

To help prevent product toppling over please follow the below steps :

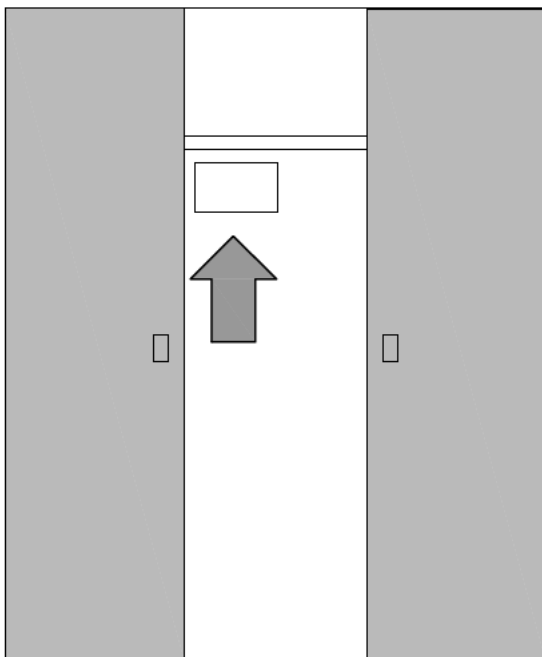
- Young children may injured or killed by tipping furniture over.
- Use the anti-topple strap / device provided.
- Do not allow children to climb or hang on the furniture.
- Do not open more than one drawer at a time.
- Do not place heavy items in the top drawer.
- Do not place heavy items on the top of furniture.

Please note that only the anti-topple strap / device and screws are provided, you will need to provide the wall plugs and screws which are applicable for your wall type.

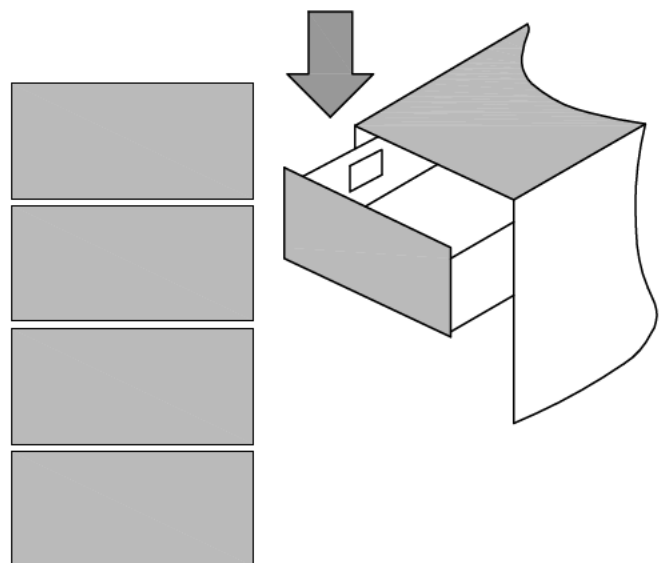
PLEASE DO NOT REMOVE THE PERMANENT SAFETY LABEL FROM YOUR FURNITURE!

Permanent Label Assembly Location

1. Wardrobe/Cabinet without Drawer :
Inside backpanel visible/below the shelf.

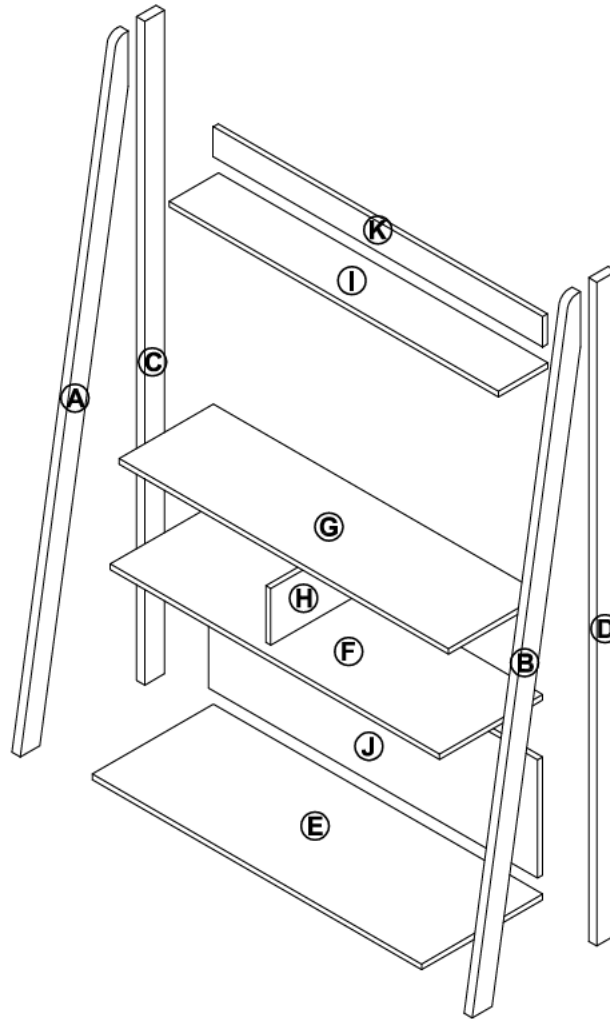


2. Chest of Drawer/sideboard/Unit with Drawer :
Top drawer on the inside side of drawer wrap.



Note: For uncommon furniture design, the location of safety permanent label may differ.

Exploded View



Components - Panels

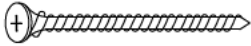
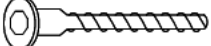



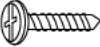








Please check that you have all the components listed below before constructing your items.

Part No	Description	Qty
A	Front Leg - L	1
B	Front Leg - R	1
C	Back Leg - L	1
D	Back Leg - R	1
E	Bottom Panel	1
F	Bottom Fix Shelf	1
G	Fix Shelf	1
H	Center Support	1
I	Top Panel	1
J	Back Support	1
K	Top Support	1

Components - Fixings

Please check that you have all the components listed below before constructing your items.

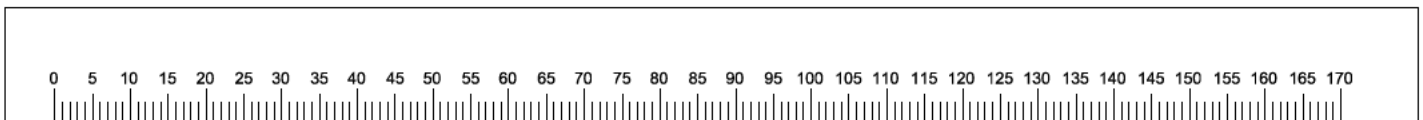
Note: The quantities below are the correct amount to complete the assembly. In some cases more fittings may be supplied than are required.

(A)	Screw M4 x 65mm  4 units	(B)	Unitar M6.3 x 50mm  30 units	(C)	Screw M4 x 38mm  6 units	(D)	Dowel D8 x 30mm  37 units
(E)	Minifix Bolt  4 units	(F)	Screw #10 x 16mm  2 units	(G)	Screw M3.5 x 15mm  4 units	(H)	Minifix Cam  4 units
(I)	Plastic Leg  1 unit	(J)	Seal Sticker  30 units	(K)	Flat Washer  2 units	(L)	L-Mounting Bracket  2 units
(M)	Wall Plug  2 units	(N)	Allen Key M4  1 unit				

Tools Required



Ruler - Use this to measure your screws (mm)

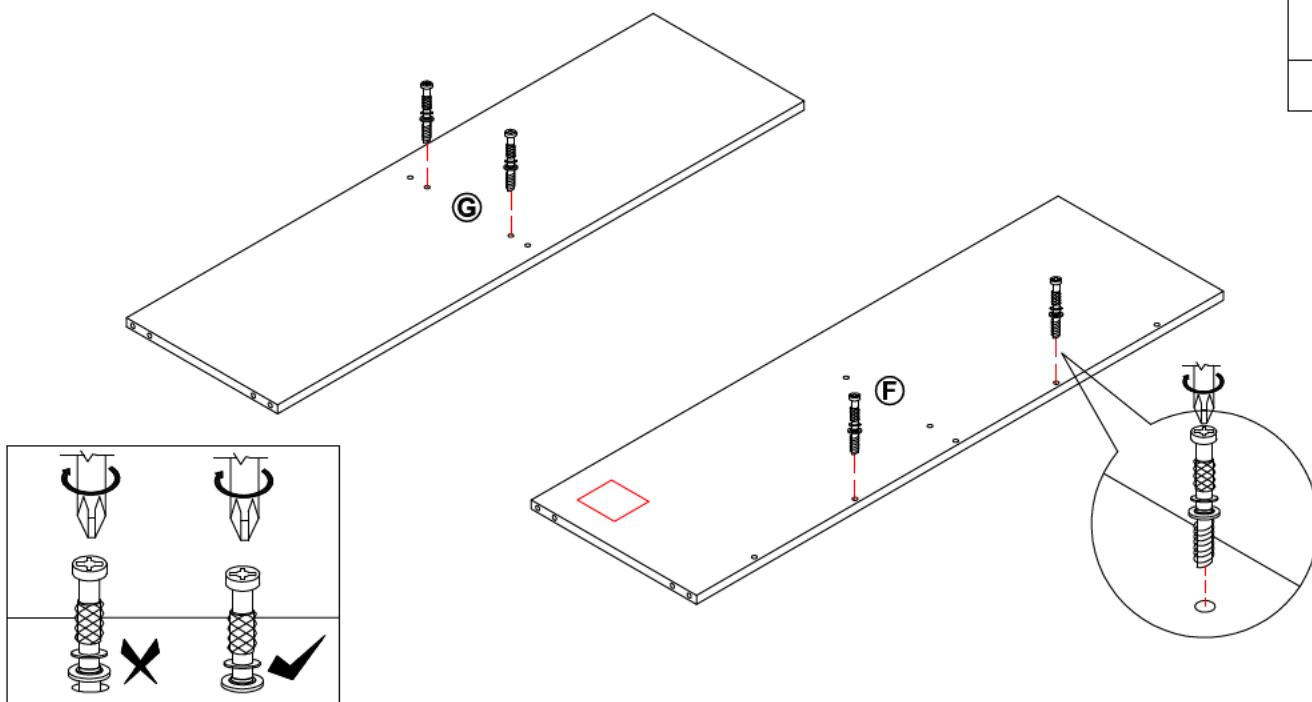


Assembly Instructions

Step 1



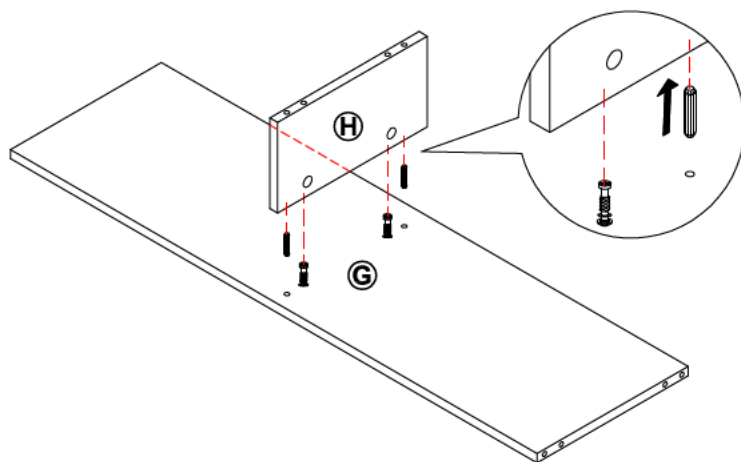
E x 4



Step 2



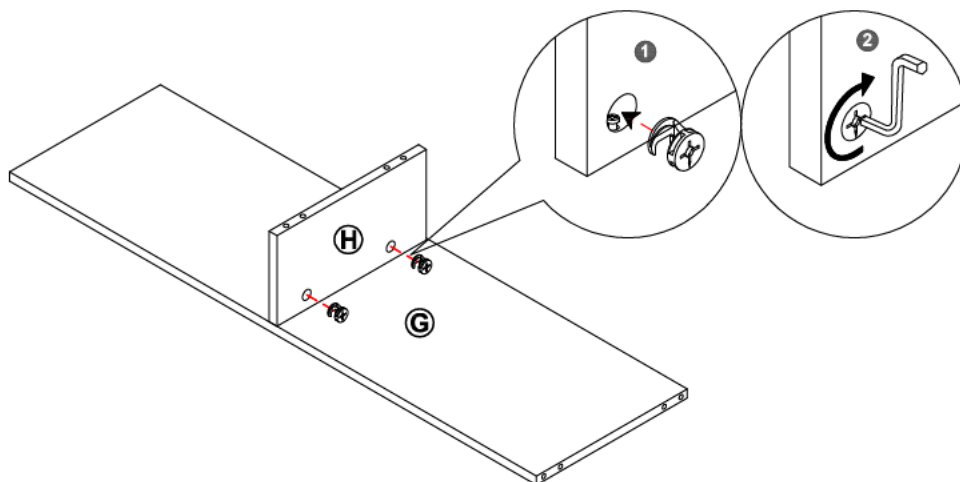
D x 2



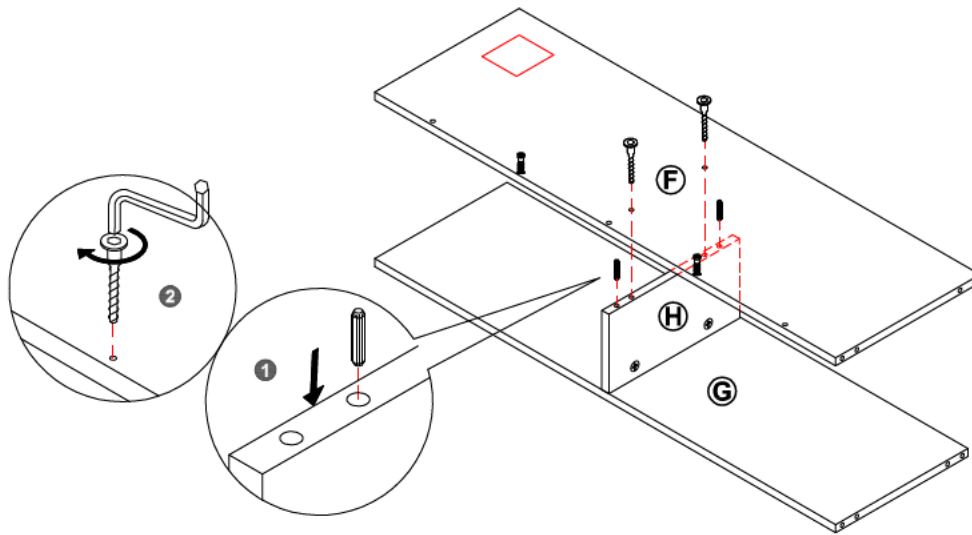
Step 3





H x 2

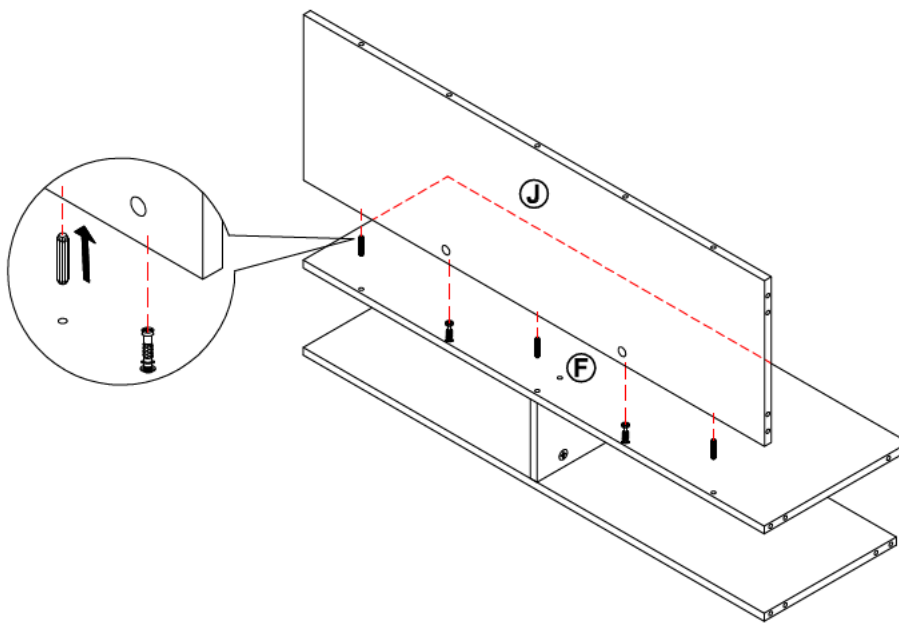



Step 4



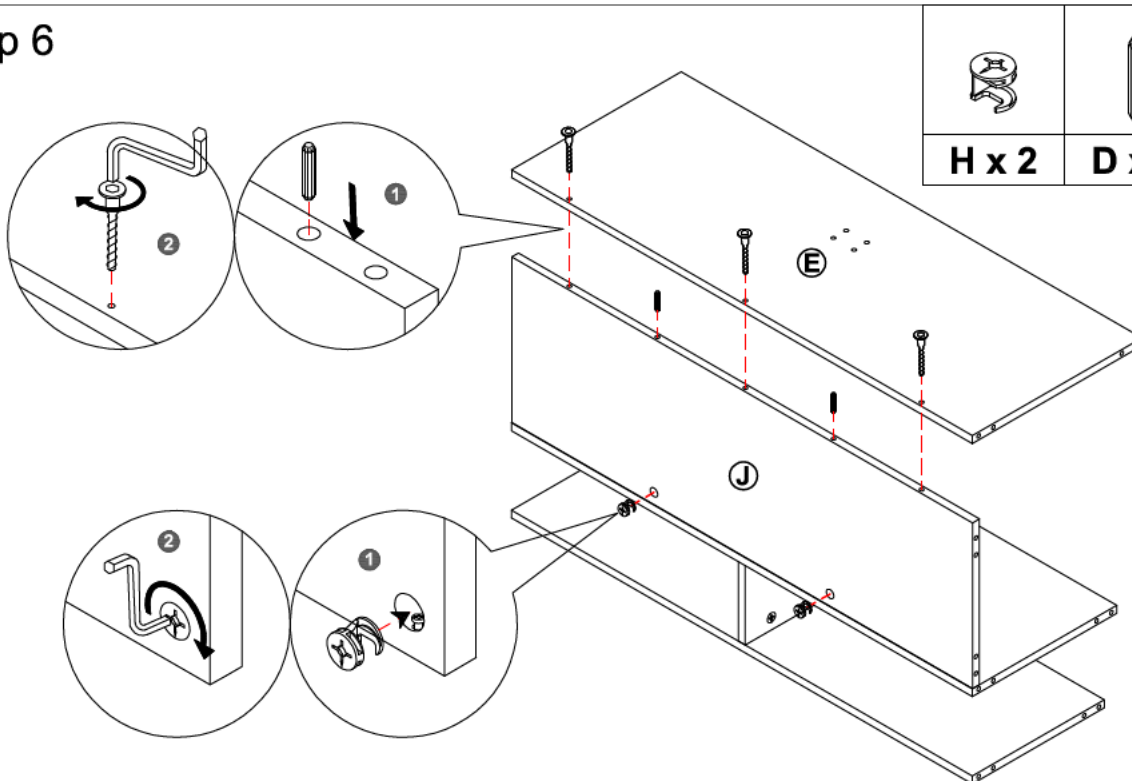
	
D x 2	B x 2




Step 5



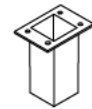
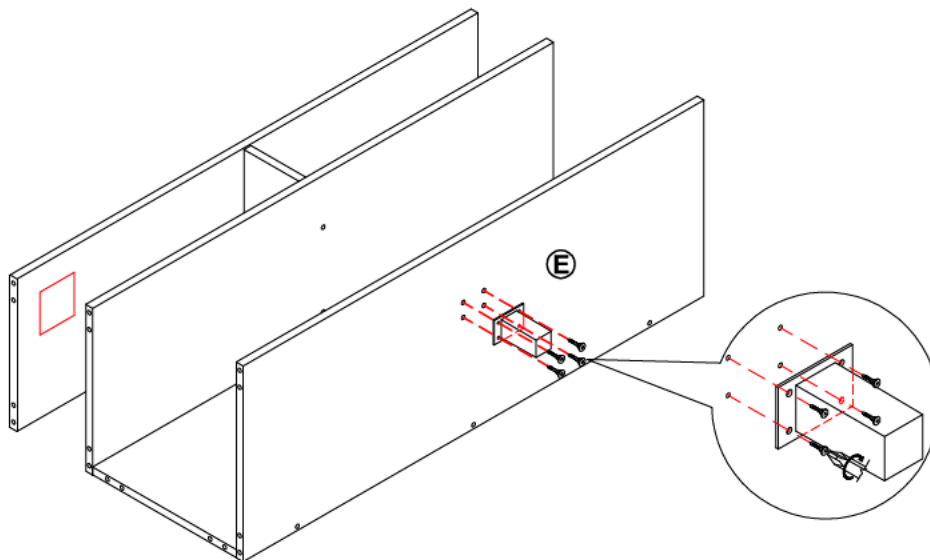

D x 3

Step 6



		
H x 2	D x 2	B x 3

Step 7

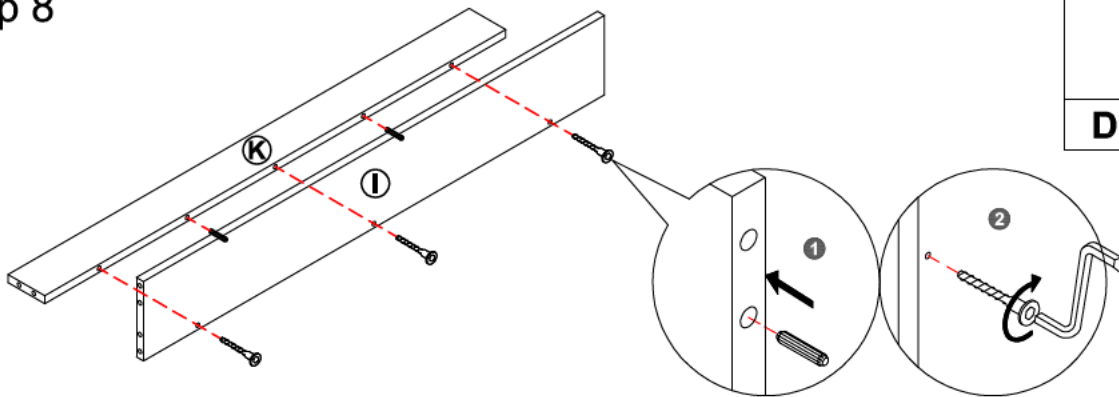


I x 1



G x 4

Step 8

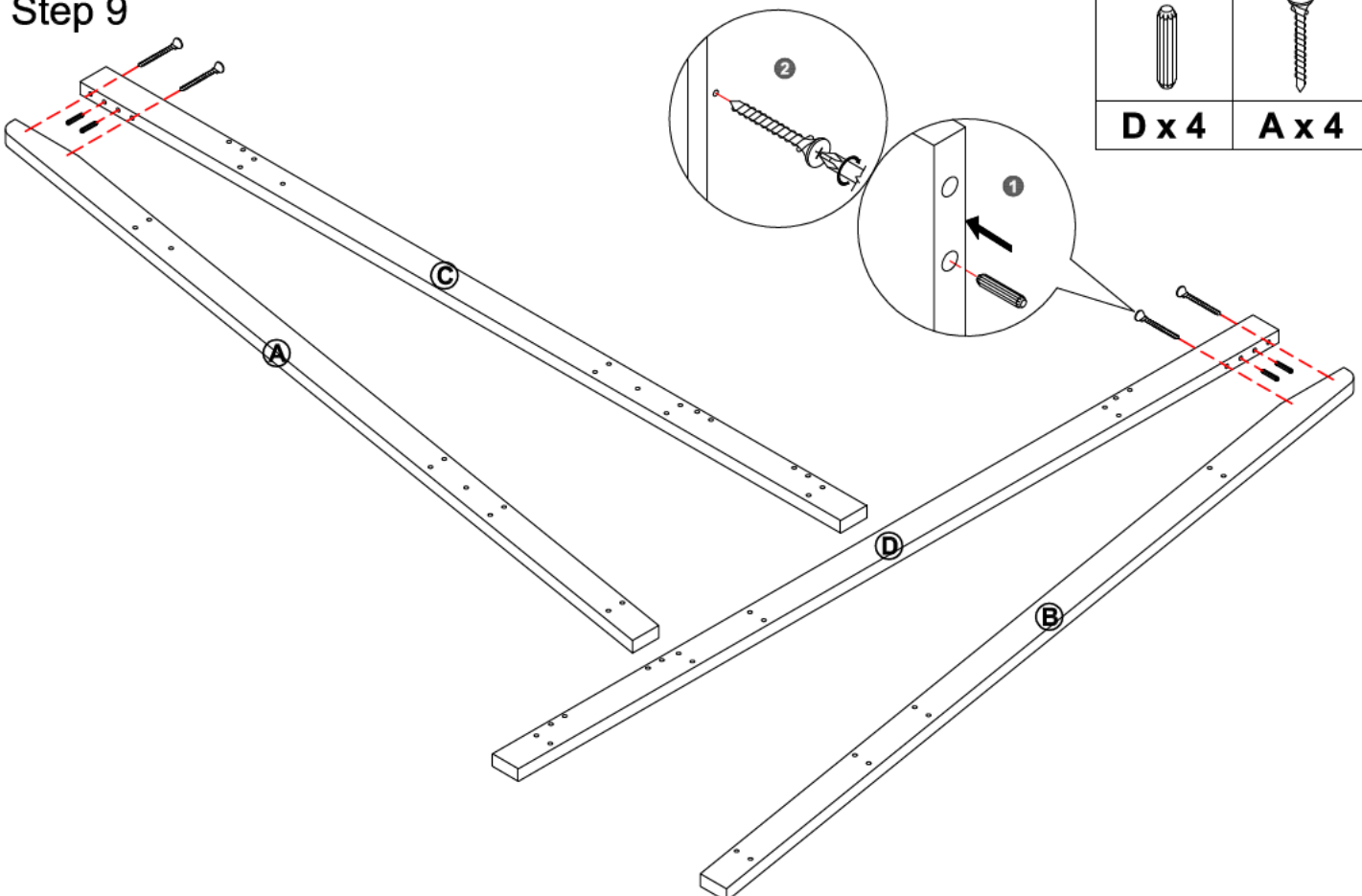


D x 2



B x 3

Step 9





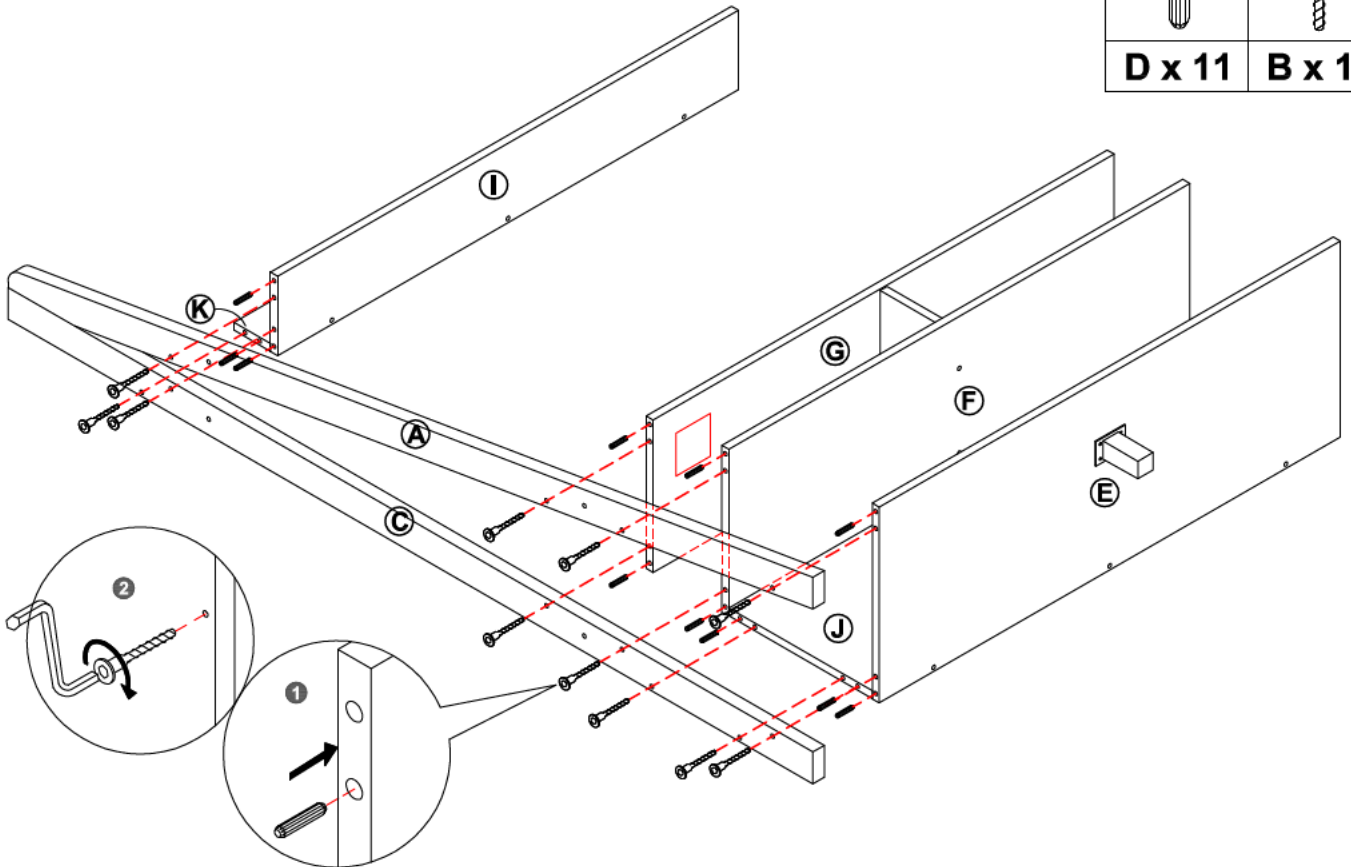
D x 4





A x 4

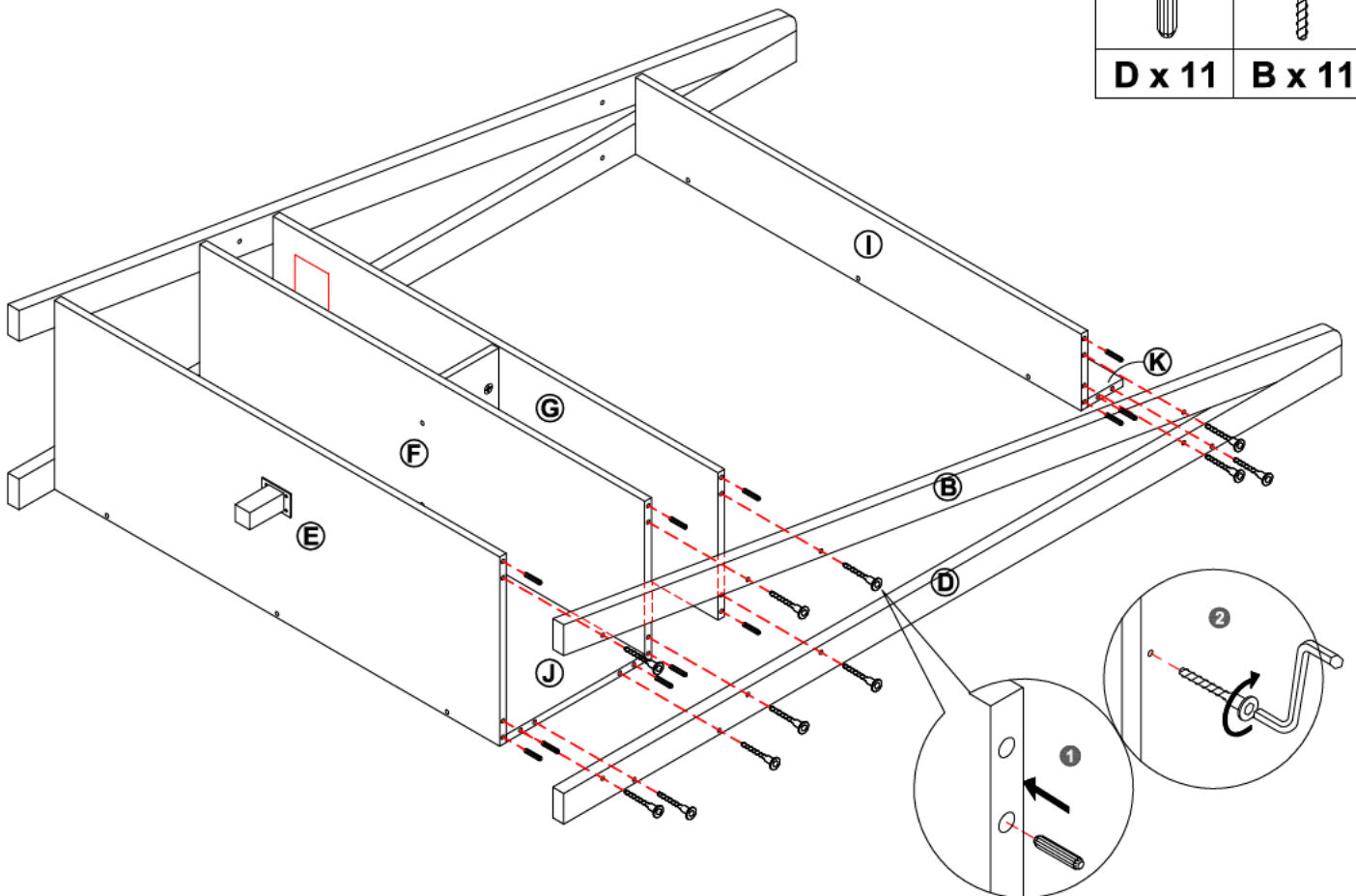
Step 10

	
D x 11	B x 11



Step 11

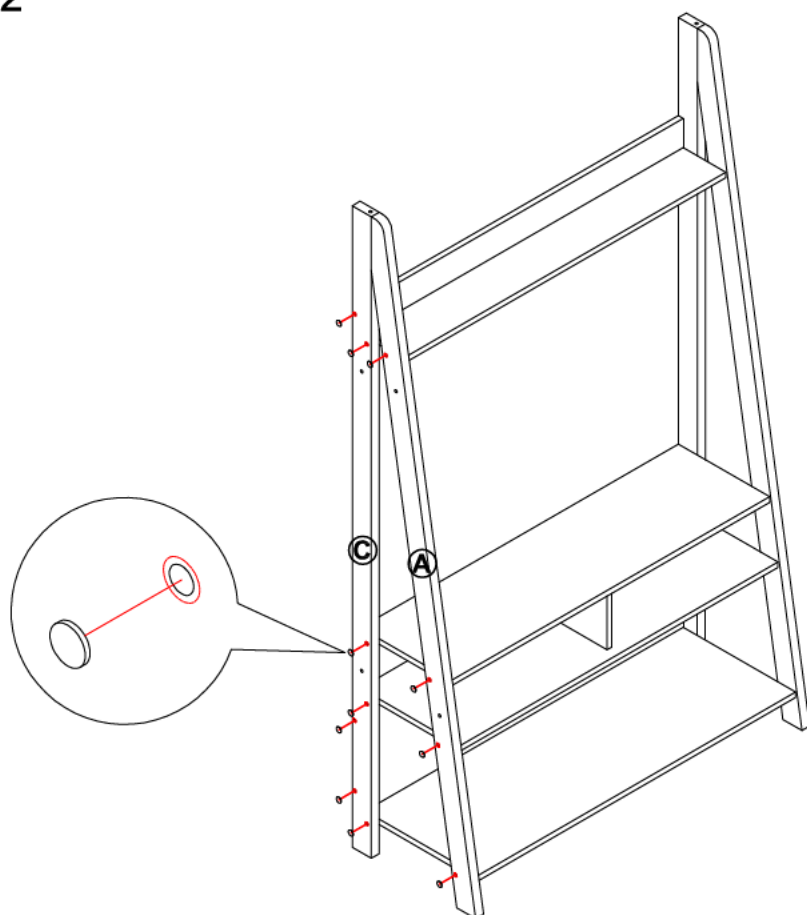
	
D x 11	B x 11



Step 12



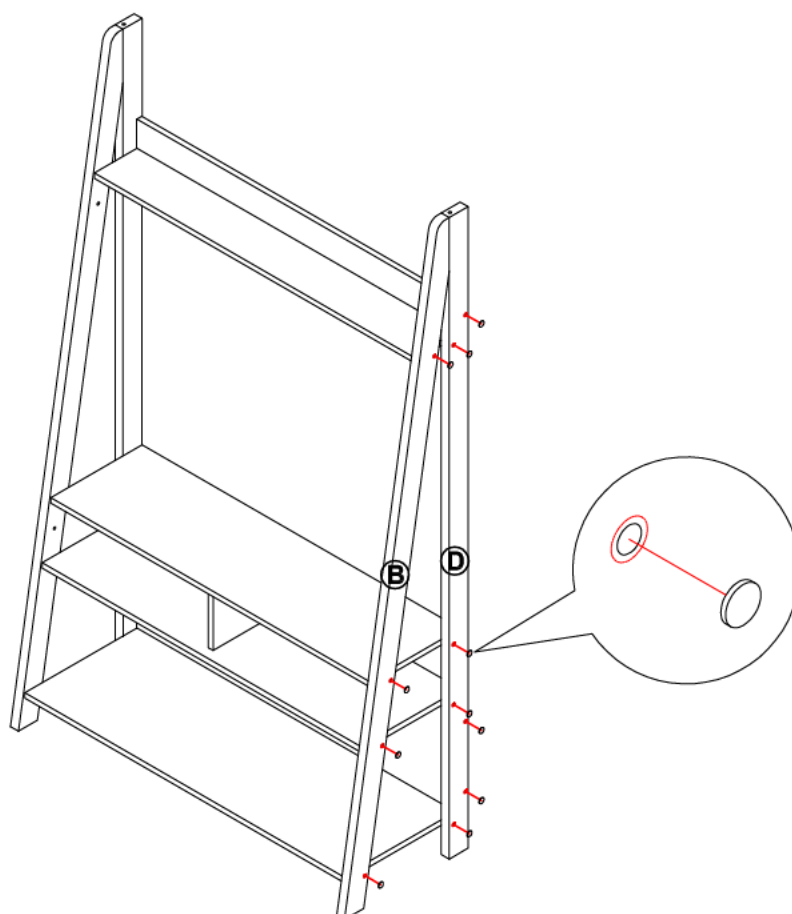
J x 11



Step 13



J x 11



Step 14

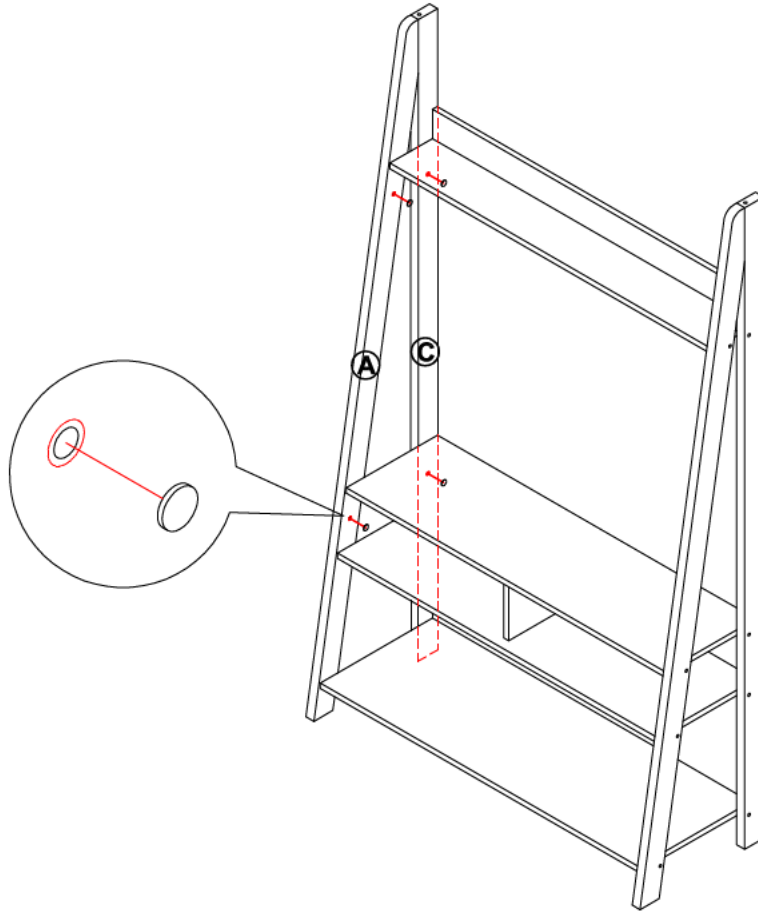


J x 4



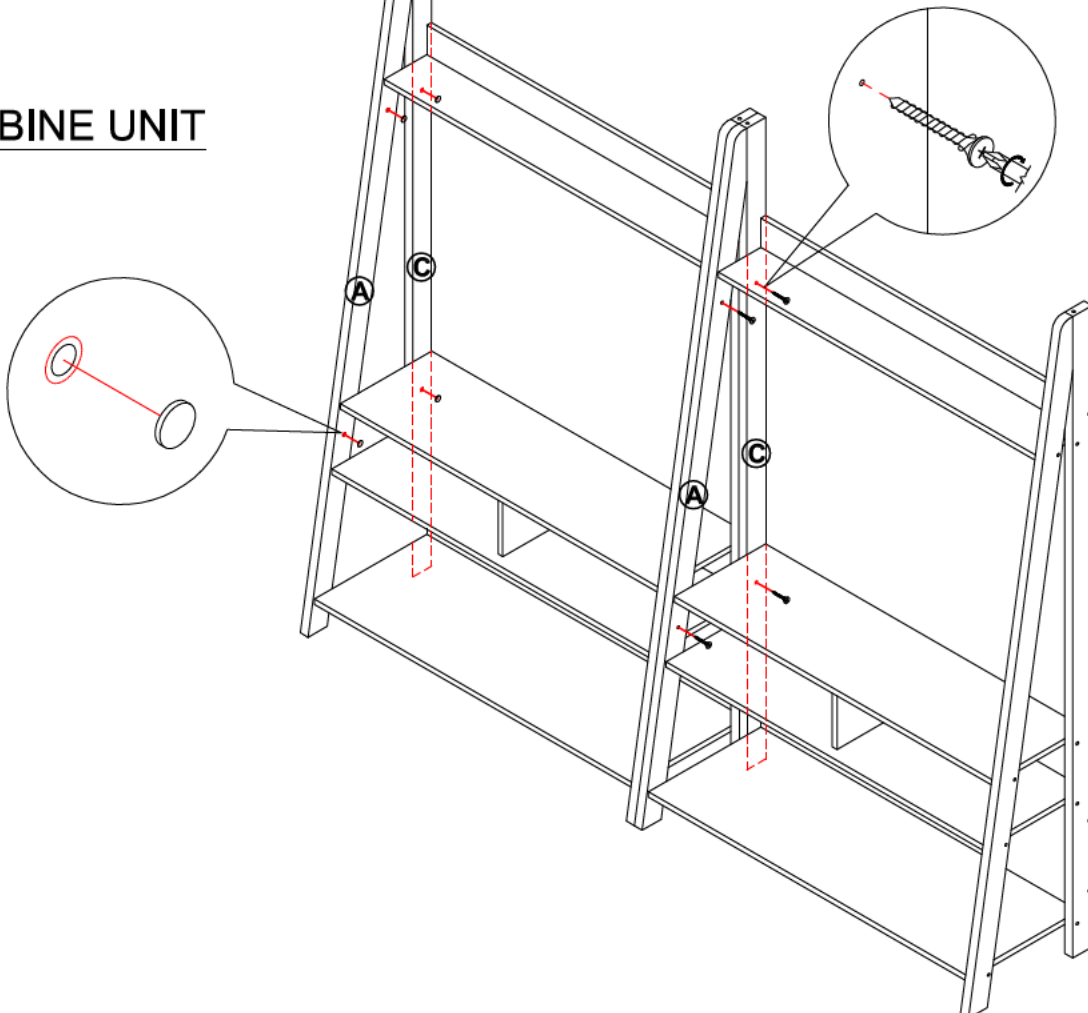
C x 4

SINGLE UNIT



OR

COMBINE UNIT

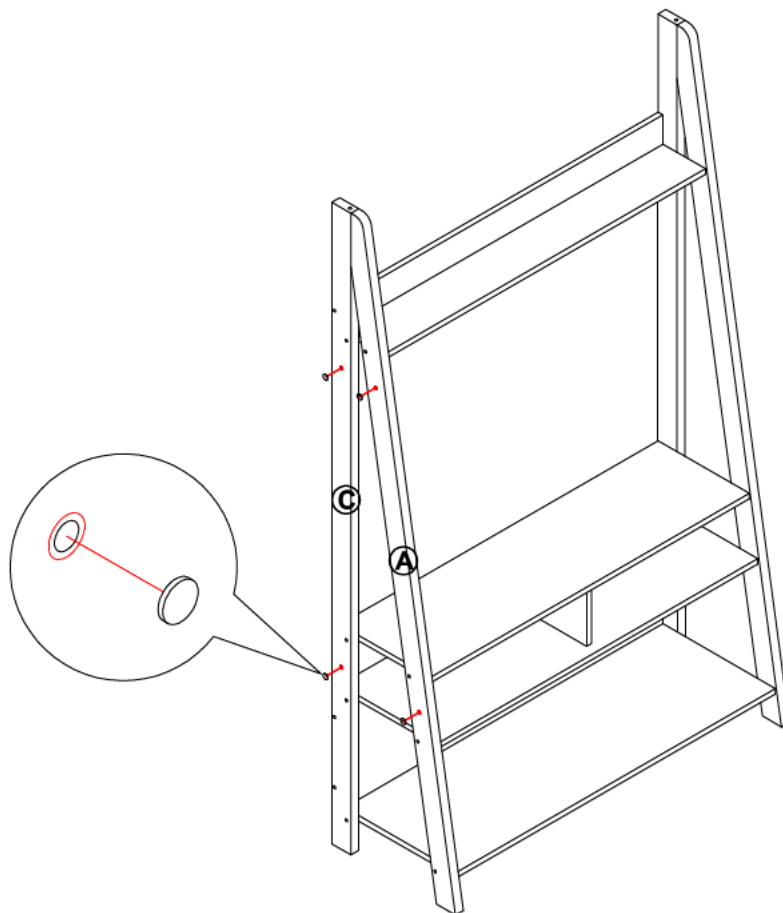


Step 15



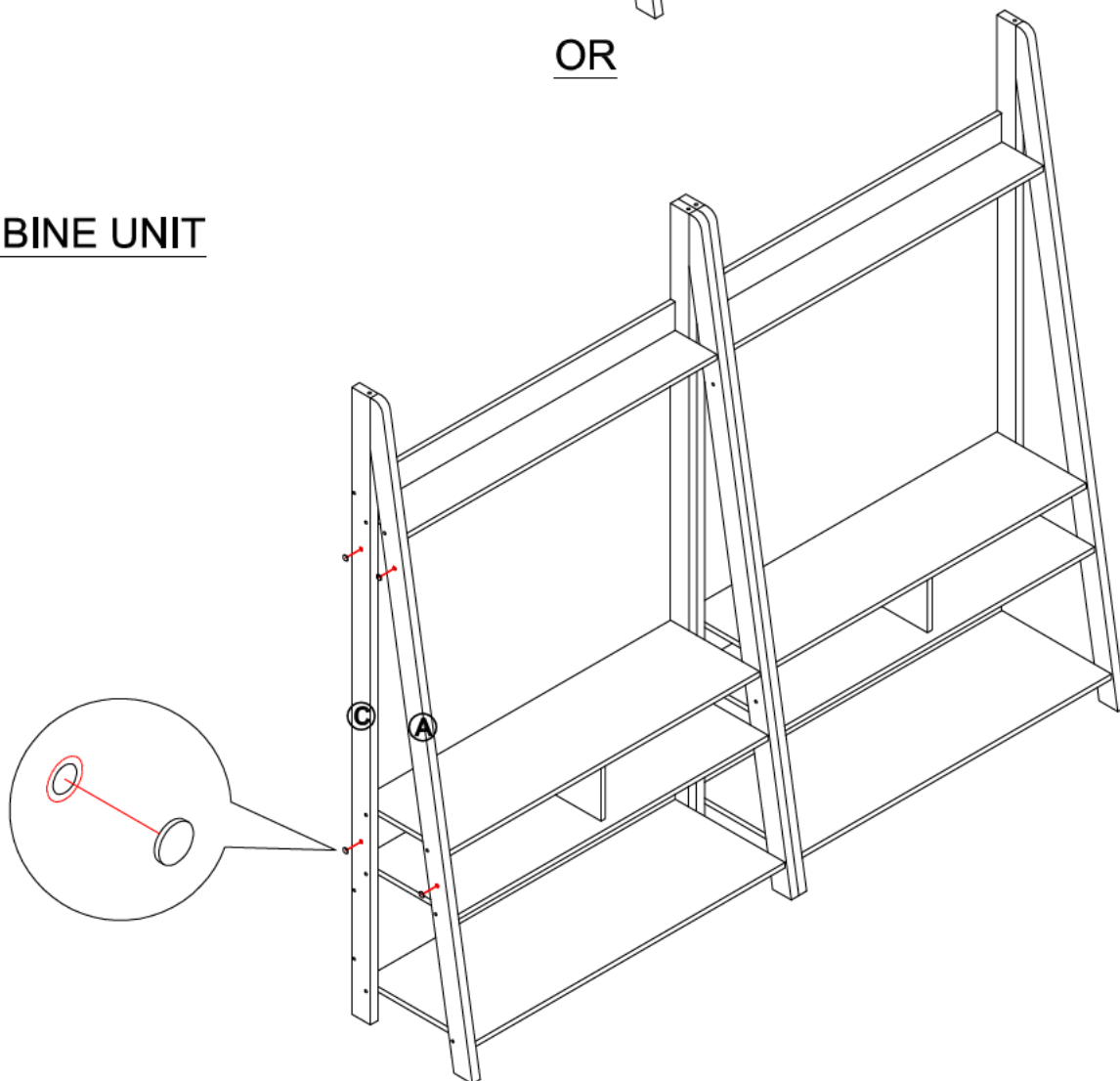
J x 4

SINGLE UNIT


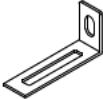





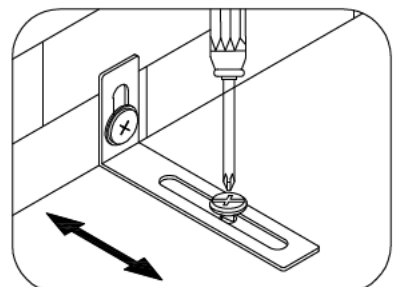
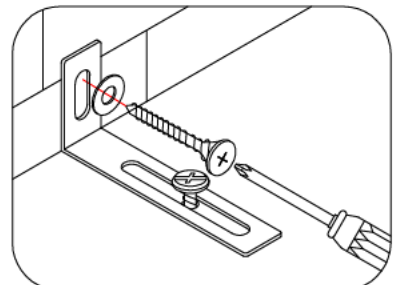
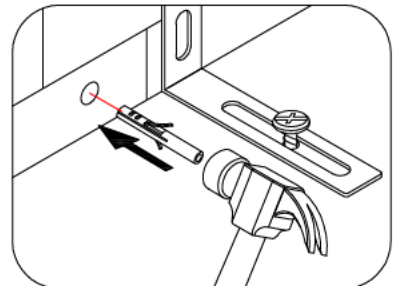
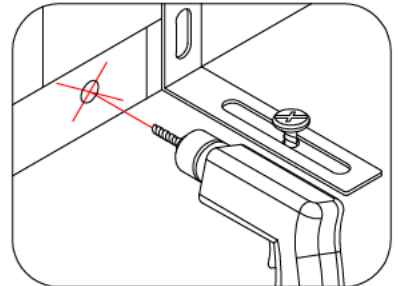
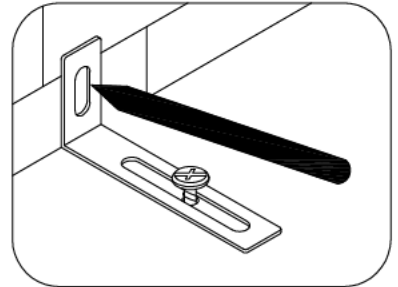
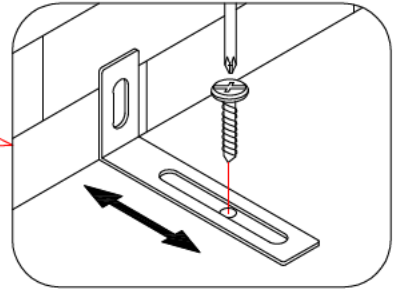
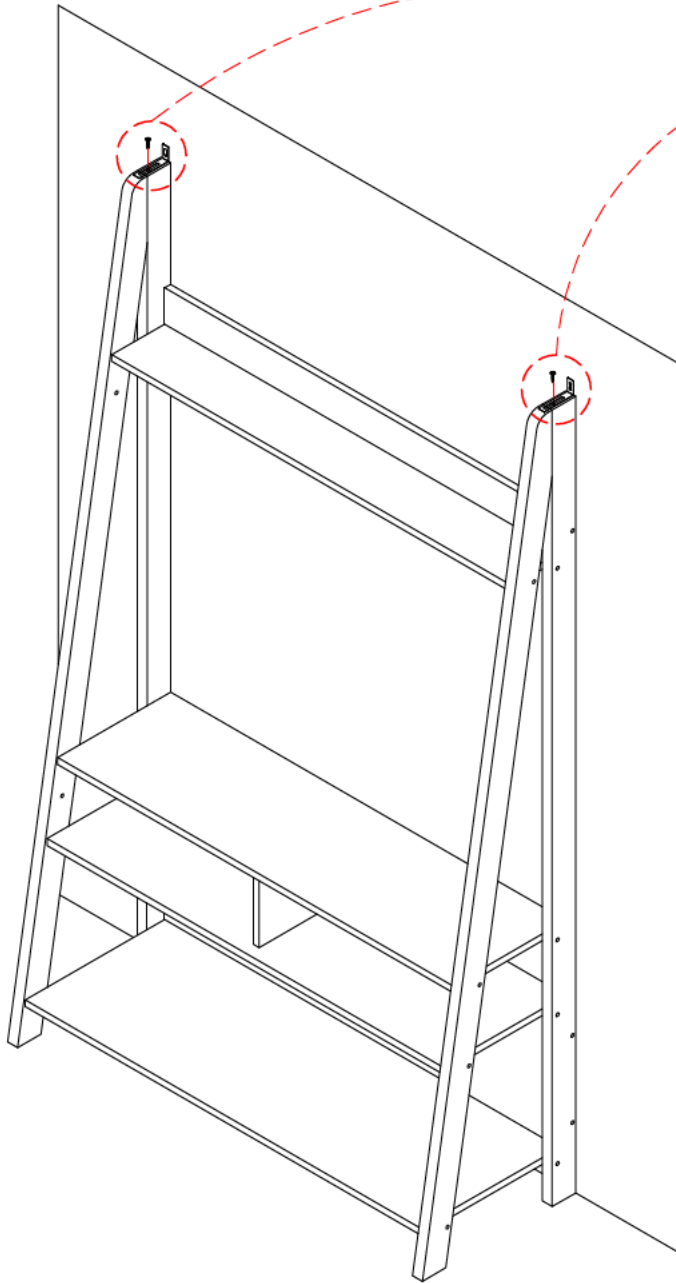
OR

COMBINE UNIT



Step 16

				
M x 2	L x 2	K x 2	F x 2	C x 2



NOTE: Wall fixing are not supplied with this product as different wall materials require different types of fixing devices (such as Rawl plugs on bricks wall). You must use fixing devices suitable for the type of wall you intend to mount this product to. Please ensure that the head of any screw used has a diameter greater than the diameter of the mounting hole on the product and that the fixing is safe and secure before use.

The brackets and screws which to fix the brackets on to the furniture are provided only.

Sizes of Shelves and Storage

