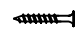






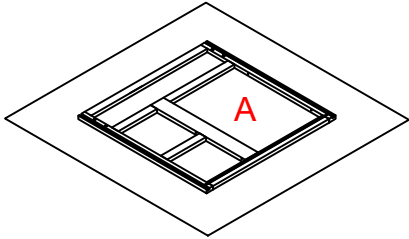


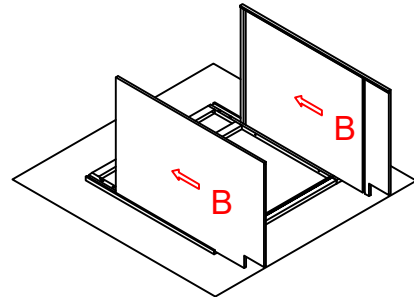
Base Cabinet Assembly Instruction (Item:CVJ36-2R/CVJ36-2L)

| | | | | | | | | | | |
|--------------------|---|---|---|---|---|---|---|----------------------|---|----------------------|
| Hard Ware List | 1 9PCS Ø4×25mm Flat head screw | 5 40PCS Ø4×12mm Flat head screw | 6 10PCS Corner brackets | 8 2SET Slide | 9 4PCS prop | 10 2SET slide lock | 11 14PCS Bumper | | | |
| |  |  |  |  |  |  |  | | | |
| Cabinet Parts List | A | Frame | B | Side panels(2) | C | Bottom panel | D | Back panel | E | Toe kick |
| | G | Door | H | Drawer front(3) | I | Drawer front panel(2) | J | Drawer back panel(2) | K | Drawer side panel(4) |
| | O | panel beam(2) | | | | | | | | |

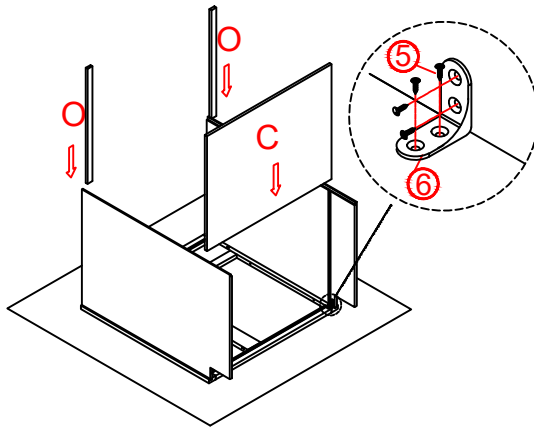
Step1:



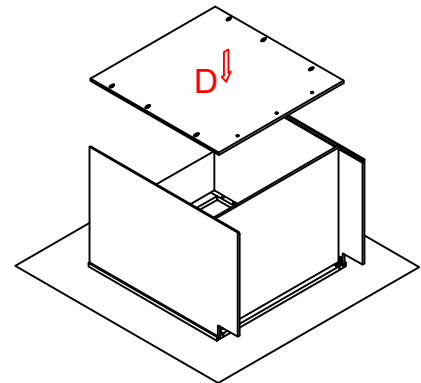
Step2:



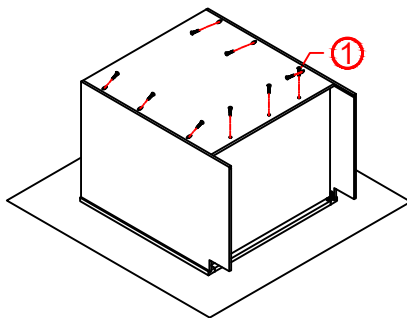
Step3:



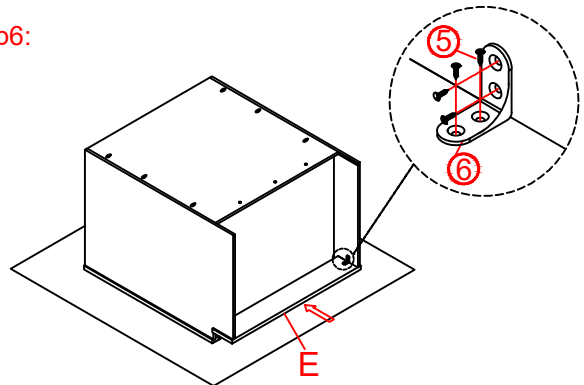
Step4:



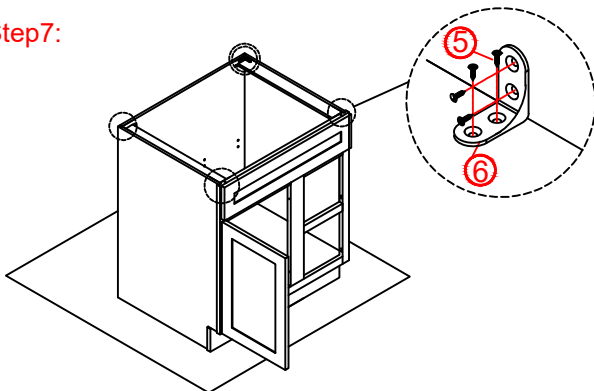
Step5:



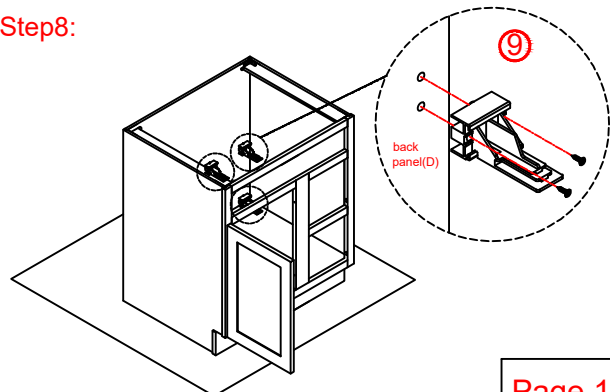
Step6:



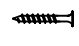






Step7:



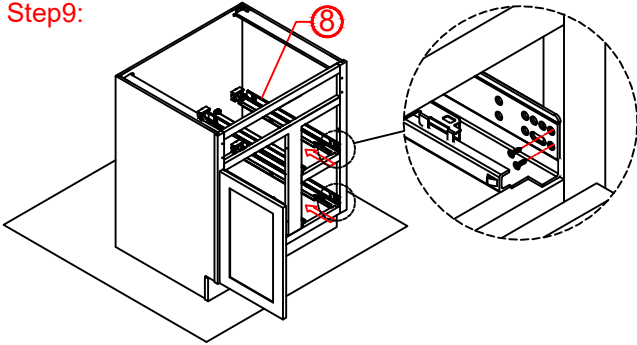
Step8:



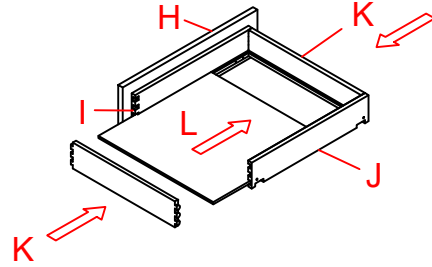
Base Cabinet Assembly Instruction (Item: CVJ36-2R/CVJ36-2L)

| | | | | | | | |
|--------------------|---|---|---|---|---|---|---|
| Hard Ware List | 1 9PCS Ø4×25mm Flat head screw | 5 40PCS Ø4×12mm Flat head screw | 6 10PCS Corner brackets | 8 2SET Slide | 9 4PCS prop | 10 2SET slide lock | 11 14PCS Bumper |
| |  |  |  |  |  |  |  |
| Cabinet Parts List | A Frame | B Side panels(2) | C Bottom panel | D Back panel | E Toe kick | | |
| | G Door | H Drawer front(3) | I Drawer front panel(2) | J Drawer back panel(2) | K Drawer side panel(4) | L Drawer bottom panel(2) | |
| | O panel beam(2) | | | | | | |

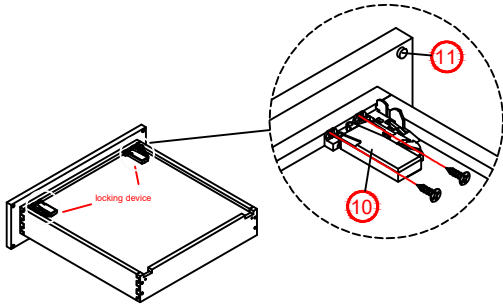
Step9:



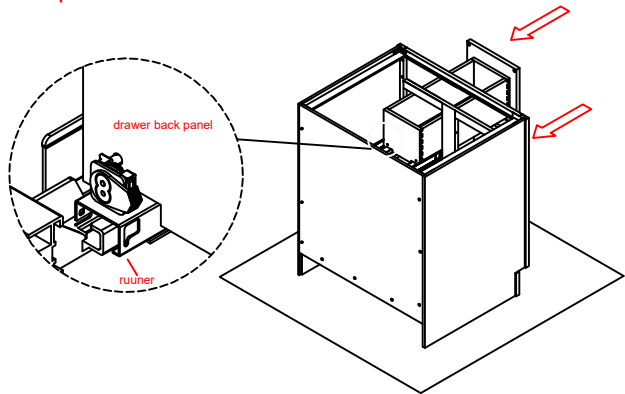
Step10:



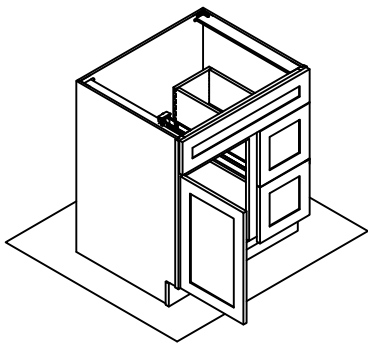
Step11:



Step12:



Step13:



Step14:

