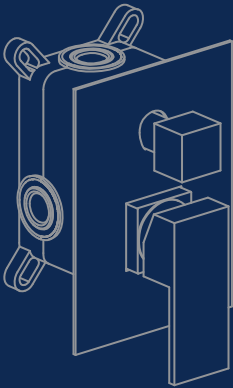


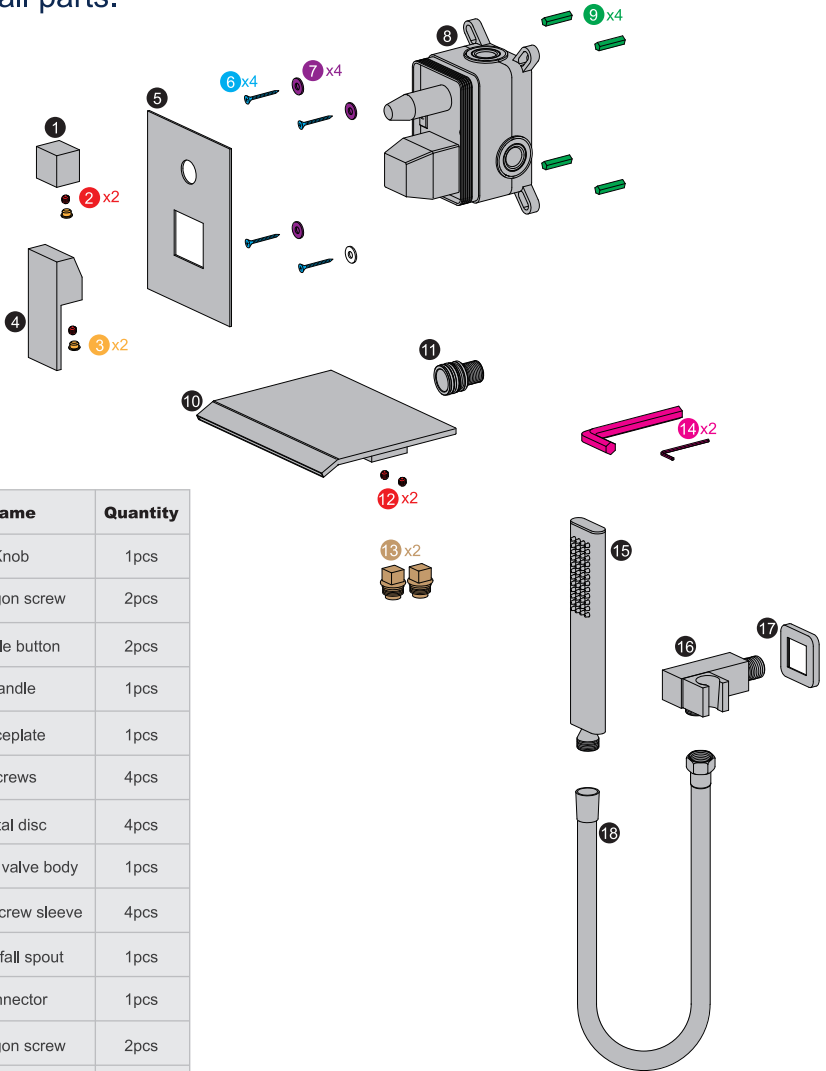
Installation Manual

2-Way Bathtub Shower System



Before the installation

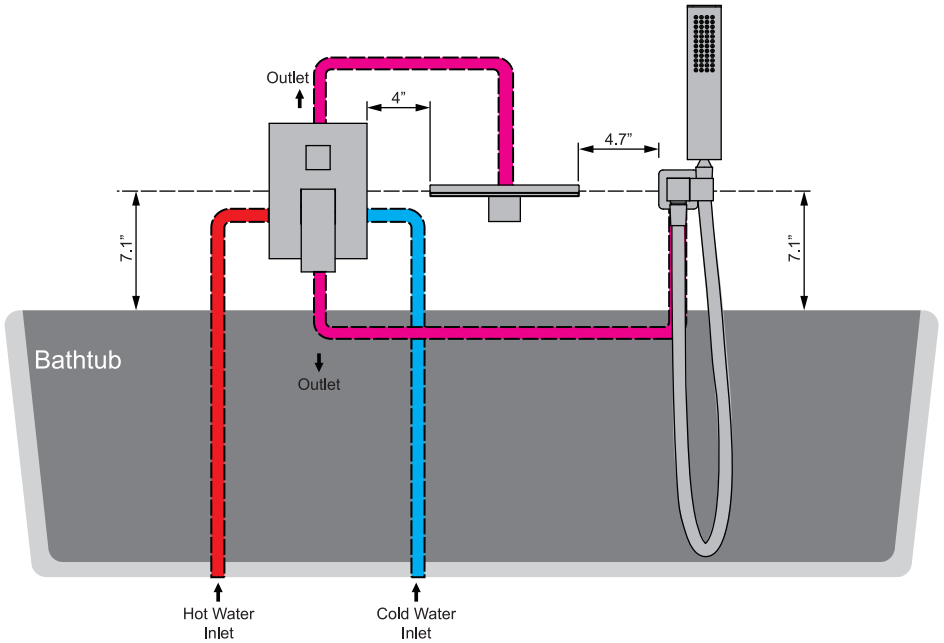
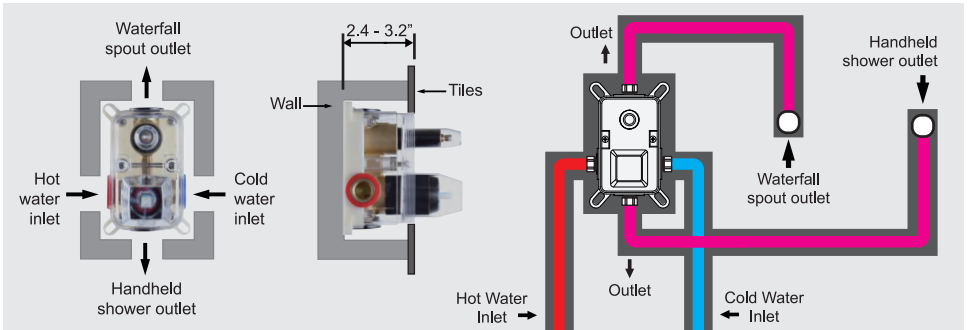
1 Check all parts.



NO.	Name	Quantity
1	Knob	1pcs
2	Hexagon screw	2pcs
3	Handle button	2pcs
4	Handle	1pcs
5	Faceplate	1pcs
6	Screws	4pcs
7	Metal disc	4pcs
8	Shower valve body	1pcs
9	Plastic screw sleeve	4pcs
10	Waterfall spout	1pcs
11	Connector	1pcs
12	Hexagon screw	2pcs
13	Plastic stopper	2pcs
14	Allen Key	2pcs
15	Hand shower	1pcs
16	Shower holder	1pcs
17	Cover	1pcs
18	Shower hose	1pcs

Before the installation

2 Recommended distance for installation.



3 Prepare the tools



Electric drill



Pencil



Screw drivers



Silicon oil



Tape measure



Spirit level with horizontal and vertical indicators



Split ring pliers



Knife



Wrench



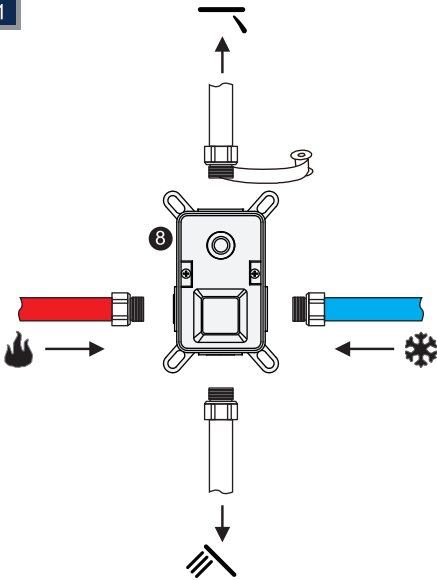
Hammer



Sealant Tape

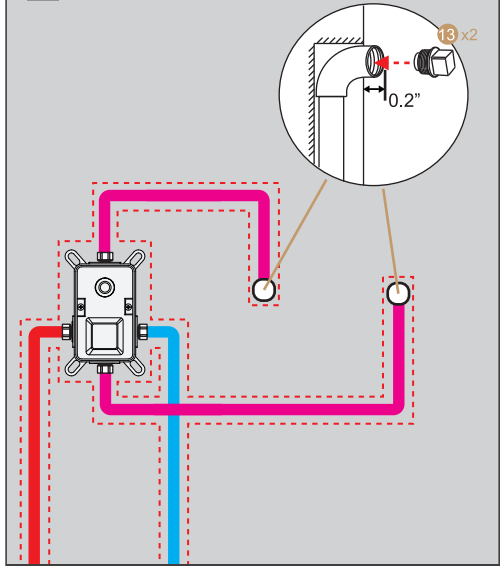
Installation Process

1



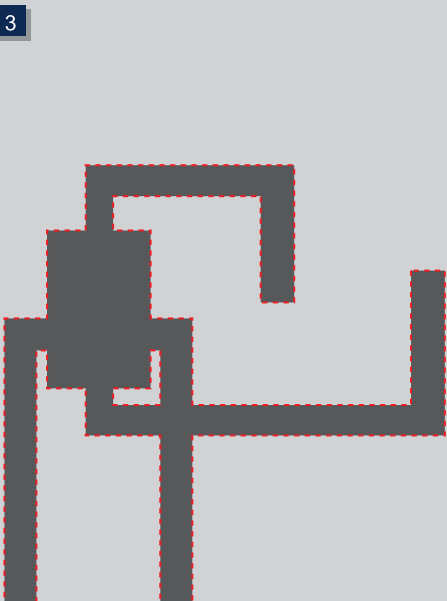
Connect the inlet and outlet pipes to the shower valve.

2



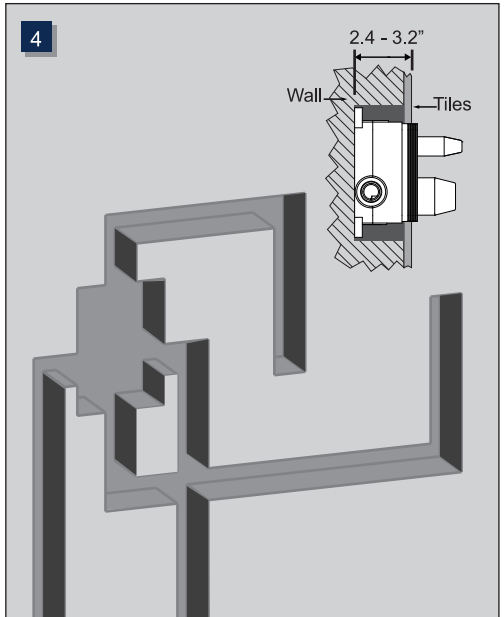
Put them on the wall , and draw the figure.

3



According to the figure, remove the wall.

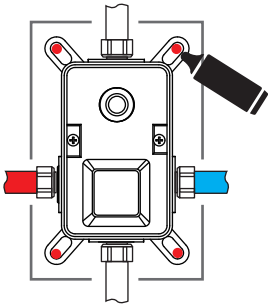
4



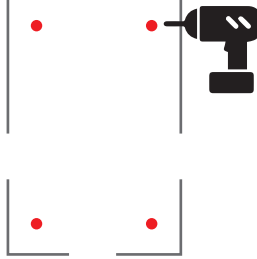
The optimum depth of the shower valve into the wall is 2.4 inch (61 mm) to 3.2 inch (81 mm).

Installation Process

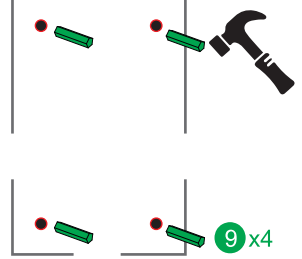
5



Make the marking on the 4 corners of shower valve.

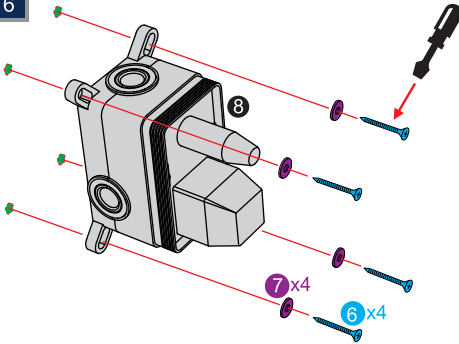


Drill the hole.



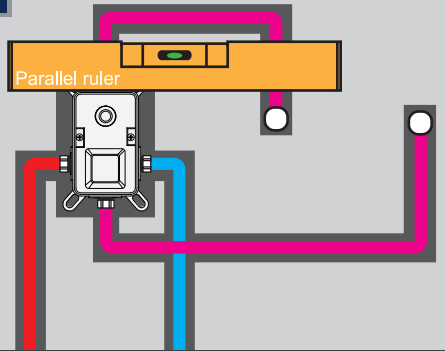
Install the 4 green screws into wall.

6



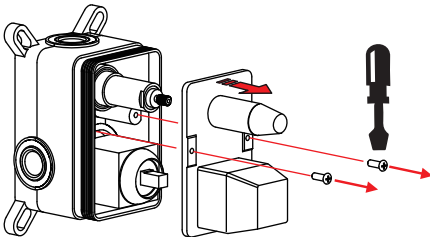
Fix the shower valve with screws.

7



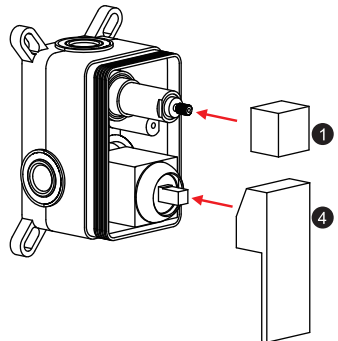
Use a parallel ruler to ensure the angle between vertical wall and valve is close to 90 degree.

8



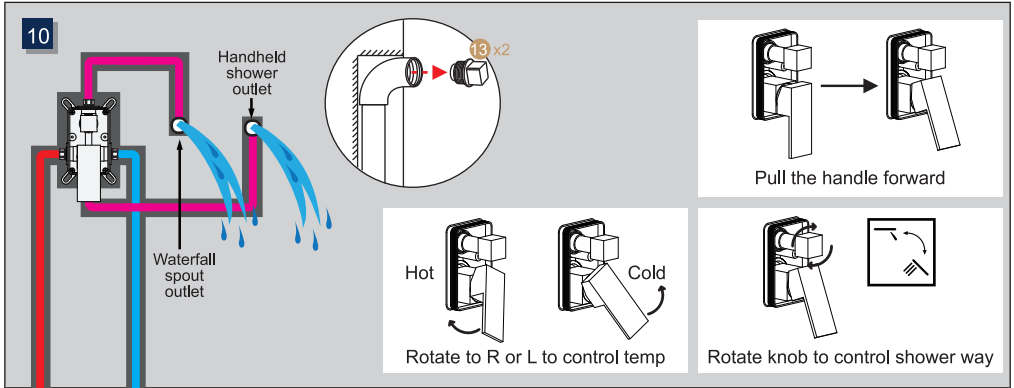
Remove the protective cover.

9

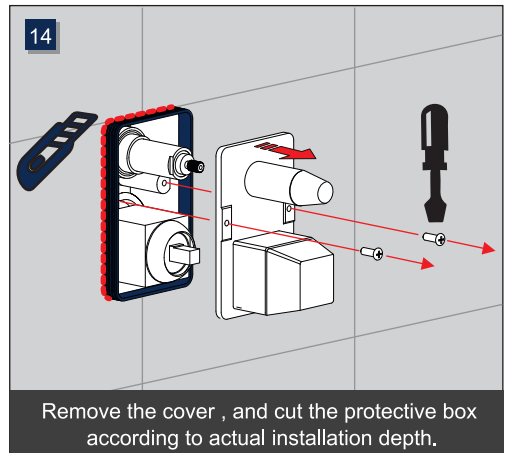
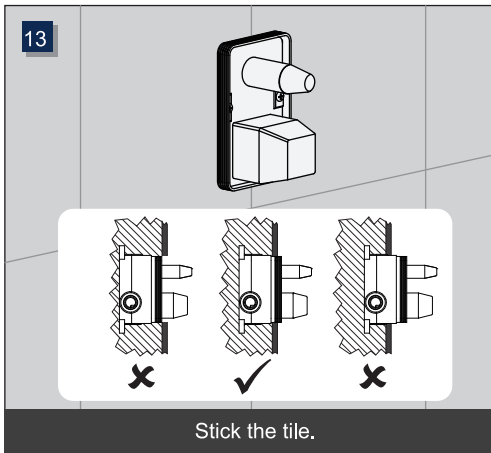
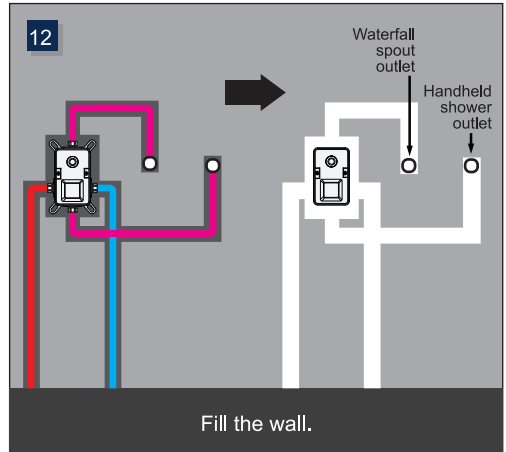
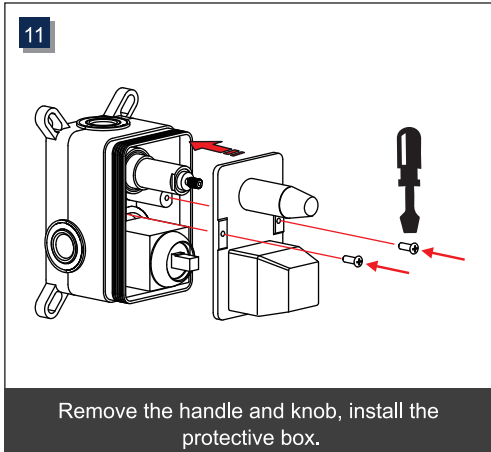


Install the handle and knob.

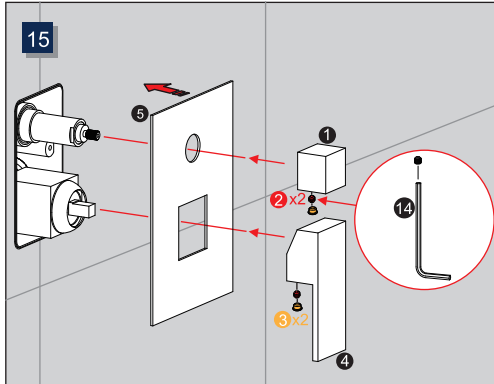
Installation Process



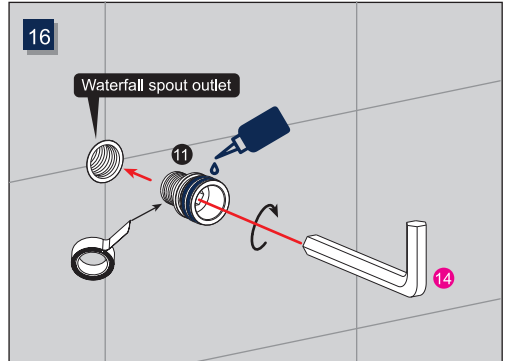
Remove the two stoppers, operate the handle and knob to test if the water pressure is appropriate. Plug all stoppers after test.



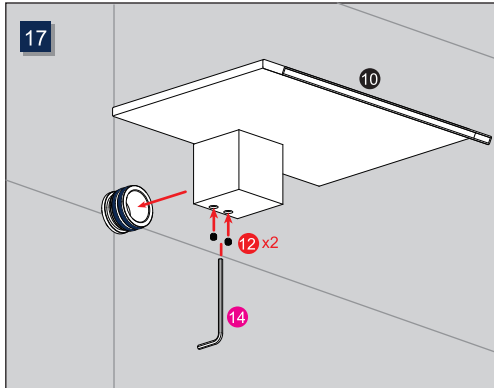
Installation Process



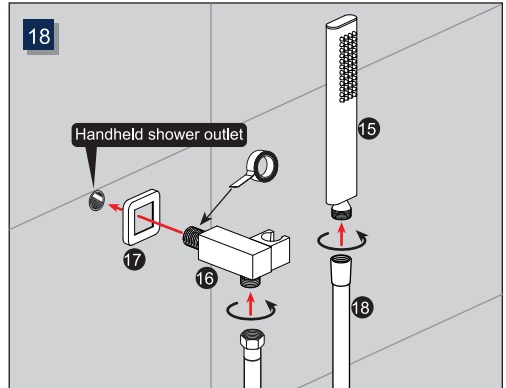
Install the faceplate, knob and handle in sequence.



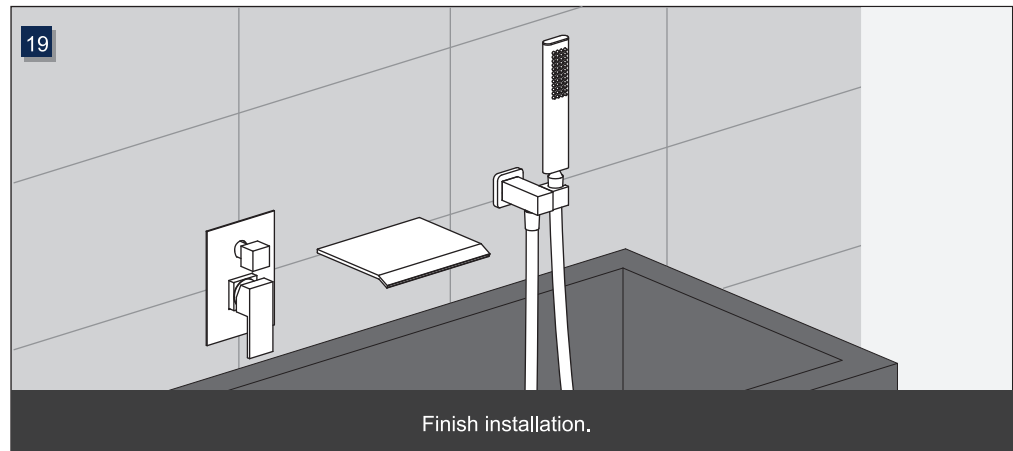
Wrap teflon tape on the connector, lubricate the O ring with silicon oil, then screw the connector into the waterfall spout outlet.



Install the waterfall spout, and lock with 2 screws.



Install the cover, shower holder, shower hose and hand shower in sequence.



Finish installation.