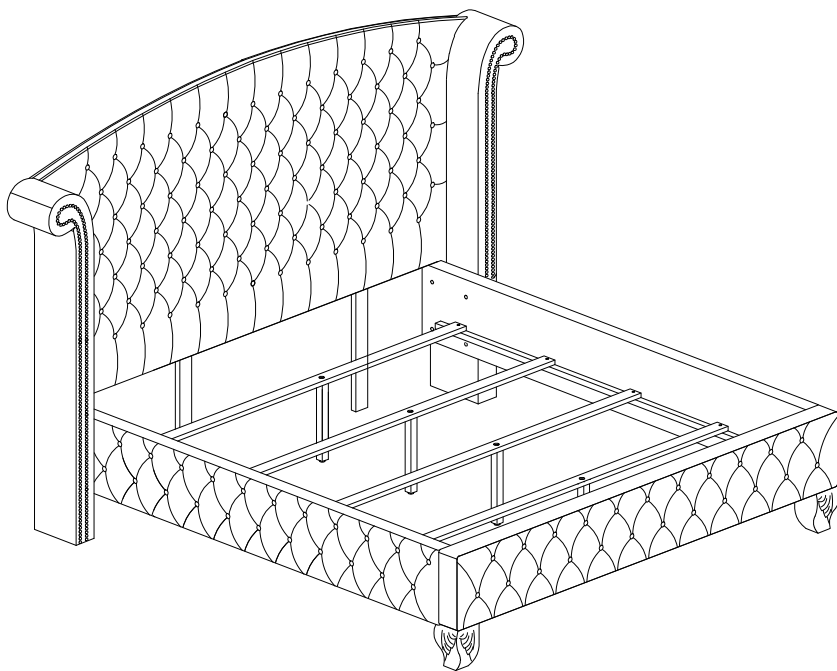


ASSEMBLY INSTRUCTIONS



TOOLS REQUIRED



Allen Wrench

(Included)



Philip Screwdriver

(Not Included)



3 - People Recommended

ASSEMBLY RATING



EASY ————— DIFFICULT

The Assembly Rating is a 5-point system showing the level of effort needed to assemble a specific product.

Thank you for your purchase!

We hope you enjoy this new addition to your home for many years to come.

Our commitment to providing quality products does not simply end when you purchase our product. We fully stand behind our products from start to finish. Our customer service department is available Monday – Friday 8:30 AM – 5:30 PM Pacific Time and can help with assembly questions as well as, if necessary, replacing damaged or missing parts. To help expedite our service, please have these assembly instructions readily available, along with your order receipt.



CHECK BEFORE STARTING

Are you missing anything?

Double-check all parts, hardware and accessories listed are all accounted for.

Check out our Quick Tips!

We recommend reviewing the pre-assembly handouts. Even experts need a refresher now and then!

Should we send any replacements?

Are there any irregularities or flaws in the parts? We can send replacements!

Prep Time!

Please review the assembly instructions and all diagrams prior to assembling.

PRE ASSEMBLY INTRODUCTION

We understand building ready-to-assemble furniture can be a challenging experience for some. To help avoid confusion, we have provided some helpful tips that may speed up the process.



Teamwork

ALWAYS have at least two people to help with transporting and assembling the product to avoid potential injury and/or damage.



Suitable Location

Assembling near the area of the intended location is highly recommended.



Sufficient Space

Make sure you have enough space to move around during the assembly.



Avoid Scratches

Use cardboard, blankets or a carpeted area while assembling furniture to prevent to prevent scratches and damages.



Flat Surface

Make sure the furniture rests on a flat and level surface with each leg evenly touching the floor.

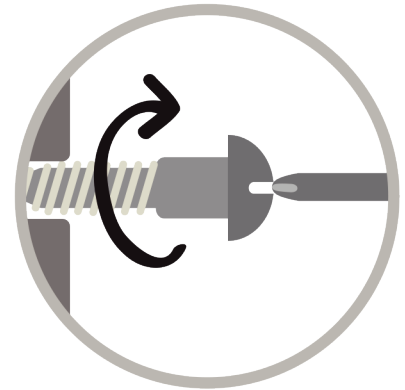
ASSEMBLY AND CARE ADVICE



FAILURE TO FOLLOW THE GUIDELINES BELOW MAY RESULT IN INJURY AND/OR PROPERTY DAMAGE.



Position each part correctly and insert screws or bolts into their respective holes.



Turn clockwise to tighten and only tighten when step is completed or when instructed to do so.



Use the appropriate hand tools or power tools for assembly. Select steps, such as tightening screws and/or bolts, may require hand tools to avoid causing damage during assembly.



Save the instructions and store any supplied tools for later maintenance.



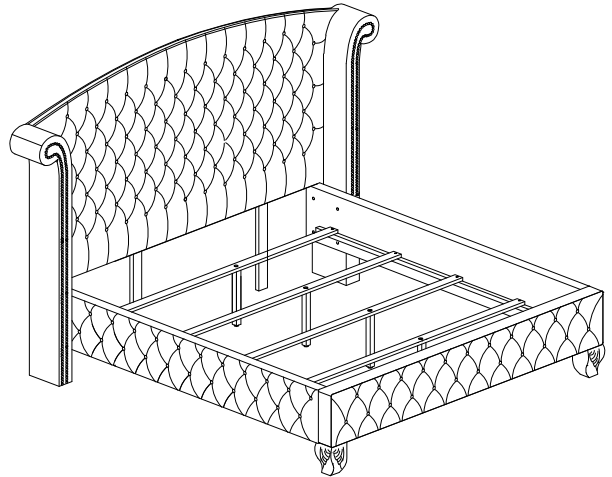
After two weeks, check and tighten any loose hardware and repeat again every six months thereafter.

IT IS THE USER'S RESPONSIBILITY TO MAINTAIN THE FURNITURE. THE HARDWARE MAY LOOSEN OVER TIME AND MAY CAUSE THE FURNITURE TO BE WOBBLY AND UNABLE TO SUPPORT ITS INTENDED WEIGHT CAPACITY. THIS MAY LEAD TO COLLAPSE AND MAY CAUSE SERIOUS INJURY.

BED

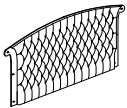


• Please keep instructions for future reference.
 • Check the quantity and irregularity of parts and hardware before you start.



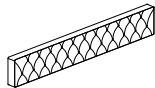
PARTS

#1 1pc



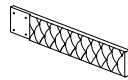
Headboard

#2 1pc



Footboard

#3 2pcs



Rail (L&R)

#4 2pcs



Ear Panel (L&R)

#5 2pcs



Footboard Leg

#6 2pcs



Headboard Support Leg

#7 4pcs



Slats

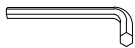
#8 4pcs



Support Leg

HARDWARE

#A 1pc



Allen Wrench 4mm

#B 14pcs



Bolt Ø1/4" x 1-1/2"

#C 8pcs



Bolt Ø1/4" x 3-1/2"

#D 4pcs



Bolt Ø1/4" x 1-3/16"

#E 2pcs



Bolt
Ø5/16" x 3-1/2"

#F 26pcs



Lock Washer
Ø1/4"

#G 8pcs



Flat Washer
Ø1/4" x 19mm

#H 18pcs



Flat Washer
Ø1/4" x 25mm

#I 2pcs



Anti Slip Sheet

#J 2pcs



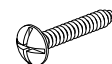
Lock Washer Ø5/16"

#K 2pcs



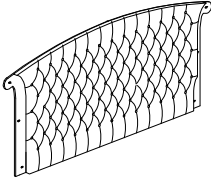












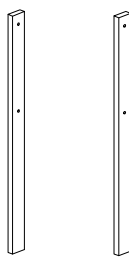
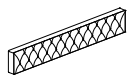
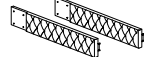

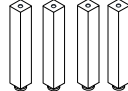

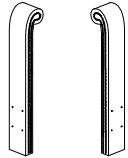
Flat Washer Ø5/16"

#L 8pcs

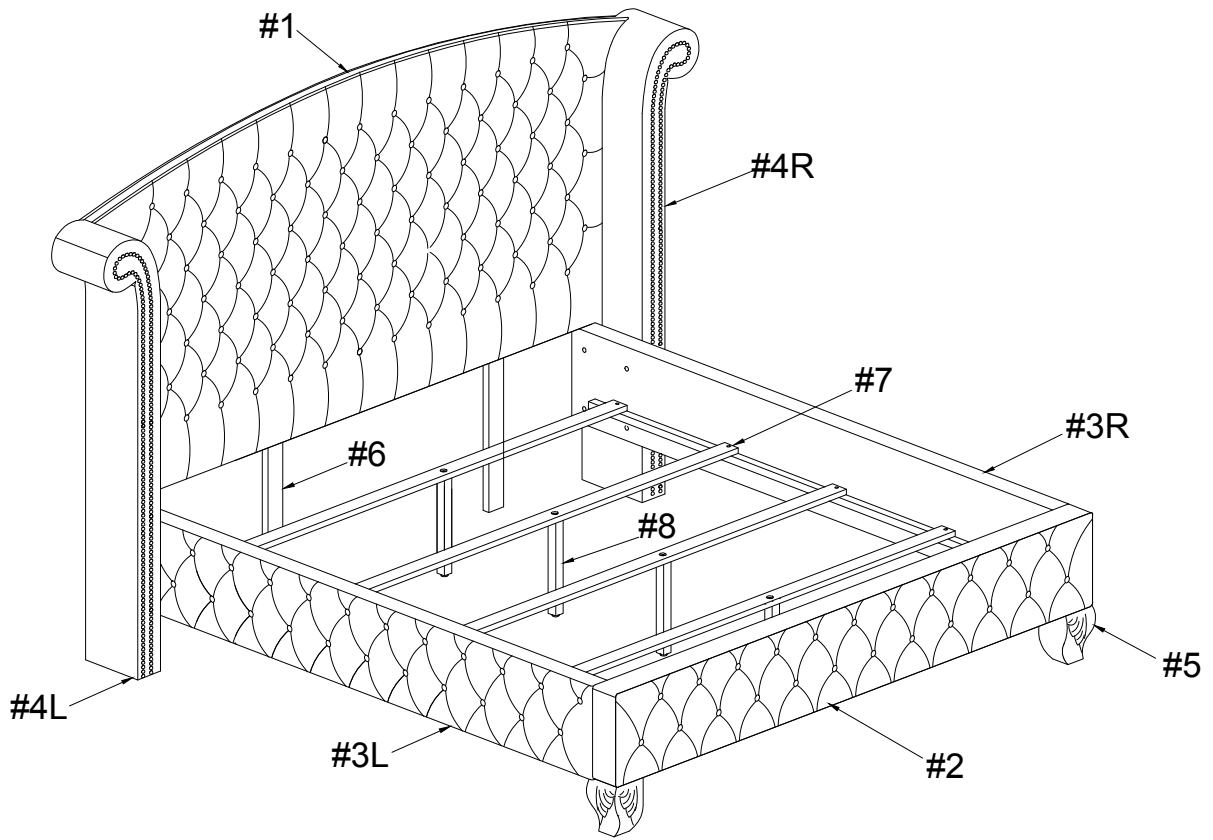


Screw M4 x 1-3/16"

packed in 3 cases

Carton	Disignation	Part		Hardware
	Headboard	#1		 #A x1pc  #B x14pcs  #C x8pcs  #D x4pcs  #E x2pcs  #F x26pcs  #G x8pcs  #H x18pcs  #I x2pcs  #J x2pcs  #K x2pcs  #L 8pcs
	Headboard Support Leg (2pcs)	#6		
	Footboard	#2		
	Rail (L&R) (2pcs)	#3		
	Slats (4pcs)	#7		
	Slat Support Leg(6pcs)	#8		
	Footboard Leg(2pcs)	#5		
	Ear Panel (L&R)(2pcs)	#4		

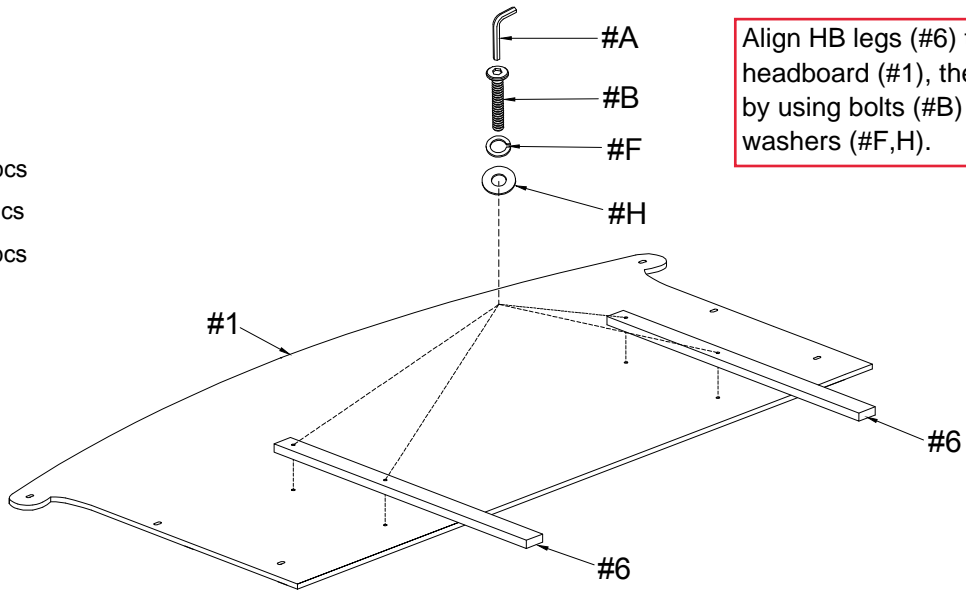
Exploded View



ASSEMBLY INSTRUCTIONS

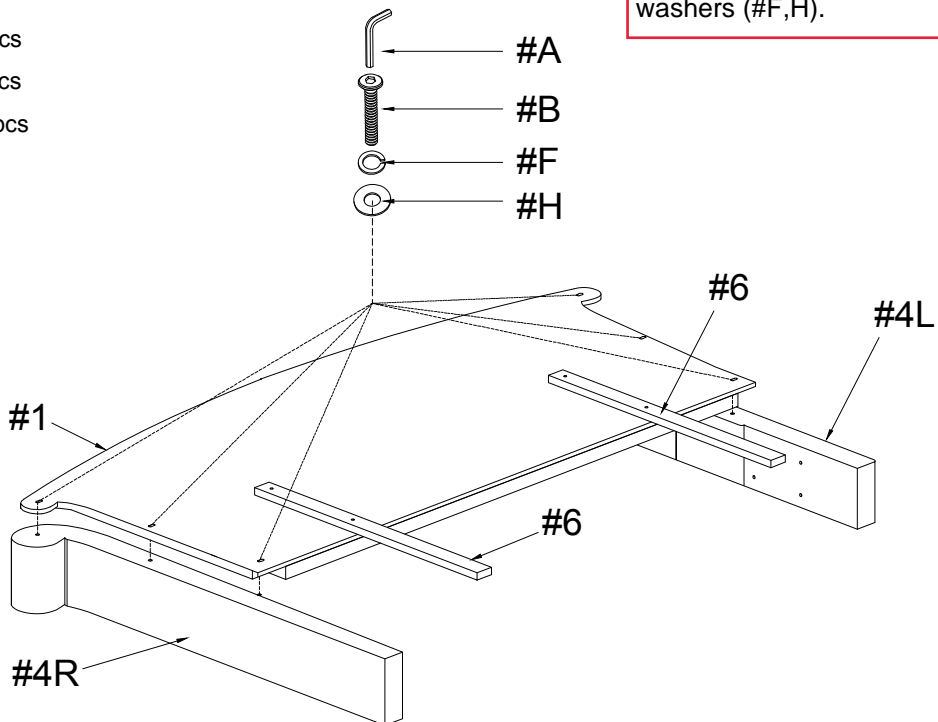
1

- Part #1 x1pc
- Part #6 x2pcs
- Hardware #B x4pcs
- Hardware #F x4pcs
- Hardware #H x4pcs



2

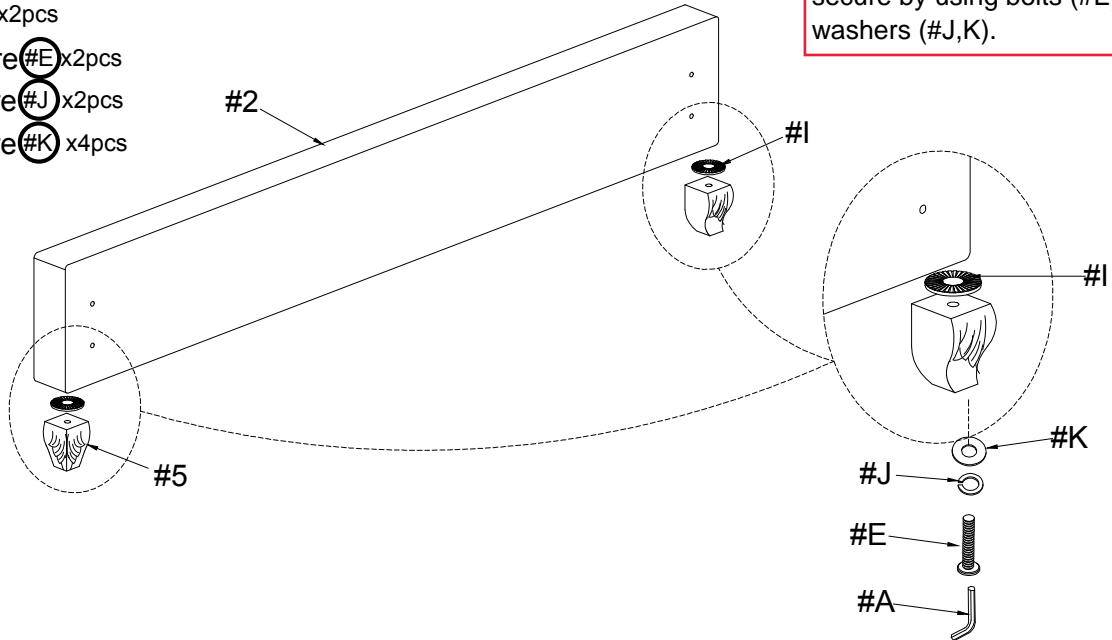
- Part #4 x2pcs
- Hardware #B x6pcs
- Hardware #F x6pcs
- Hardware #H x6pcs



ASSEMBLY INSTRUCTIONS

3

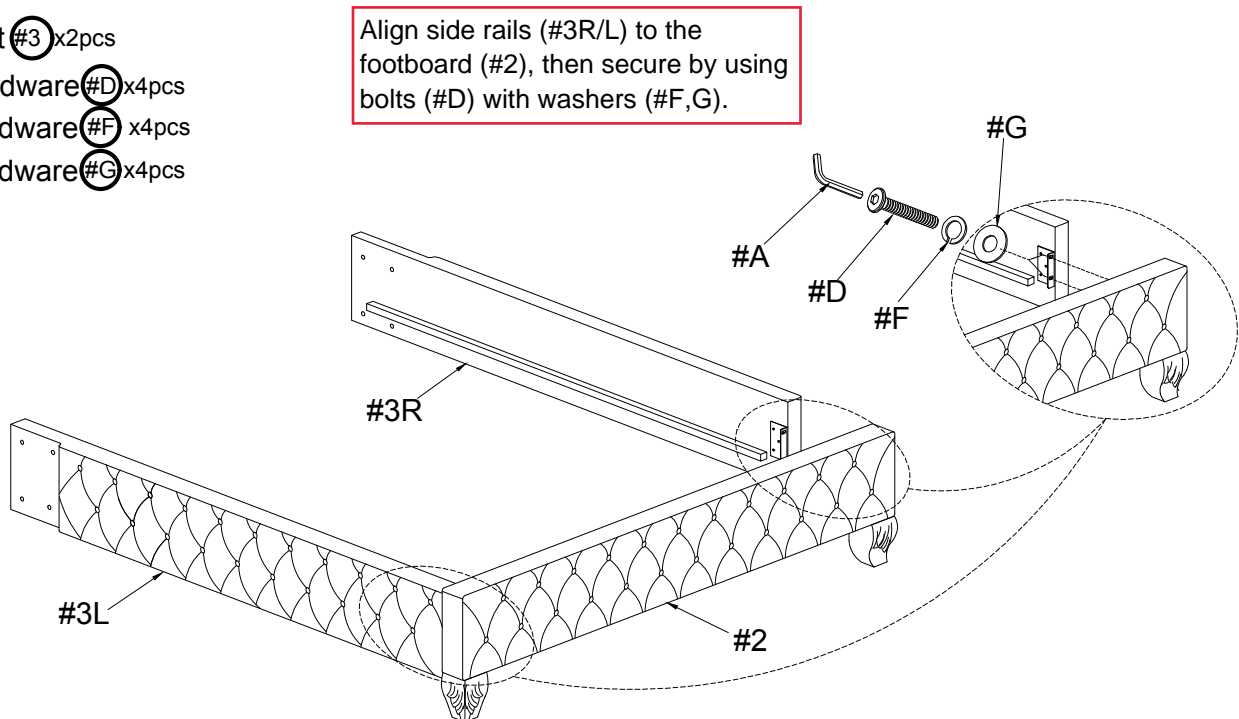
- Part #2 x1pc
- Part #5 x2pcs
- Hardware #E x2pcs
- Hardware #J x2pcs
- Hardware #K x4pcs



Align FB legs (#5) with washers (#I) onto the footboard (#2), then secure by using bolts (#E) with washers (#J,K).

4

- Part #3 x2pcs
- Hardware #D x4pcs
- Hardware #F x4pcs
- Hardware #G x4pcs



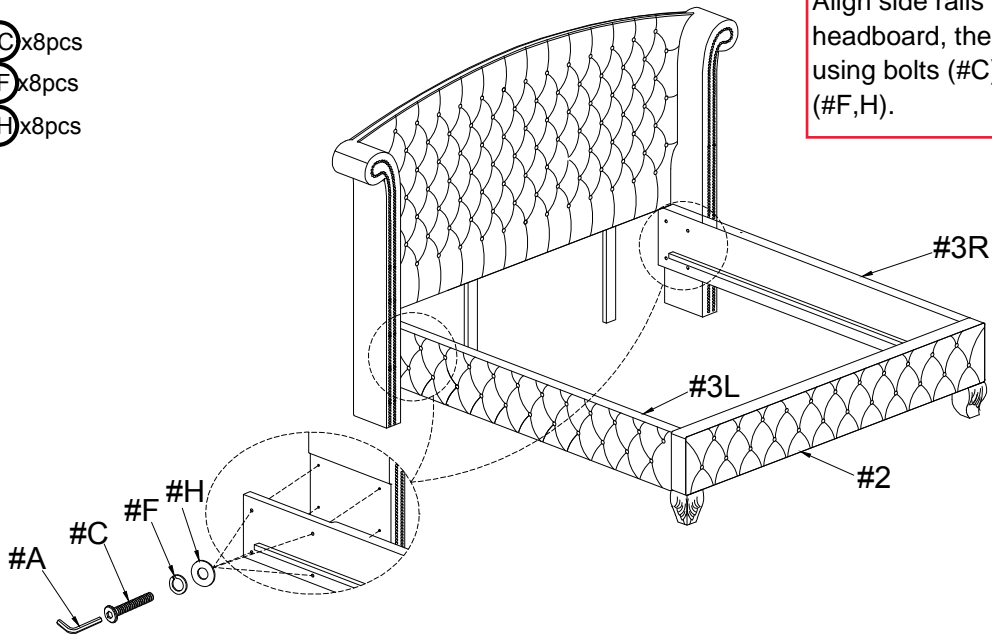
Align side rails (#3R/L) to the footboard (#2), then secure by using bolts (#D) with washers (#F,G).

ASSEMBLY INSTRUCTIONS

5

- Hardware #C x8pcs
- Hardware #F x8pcs
- Hardware #H x8pcs

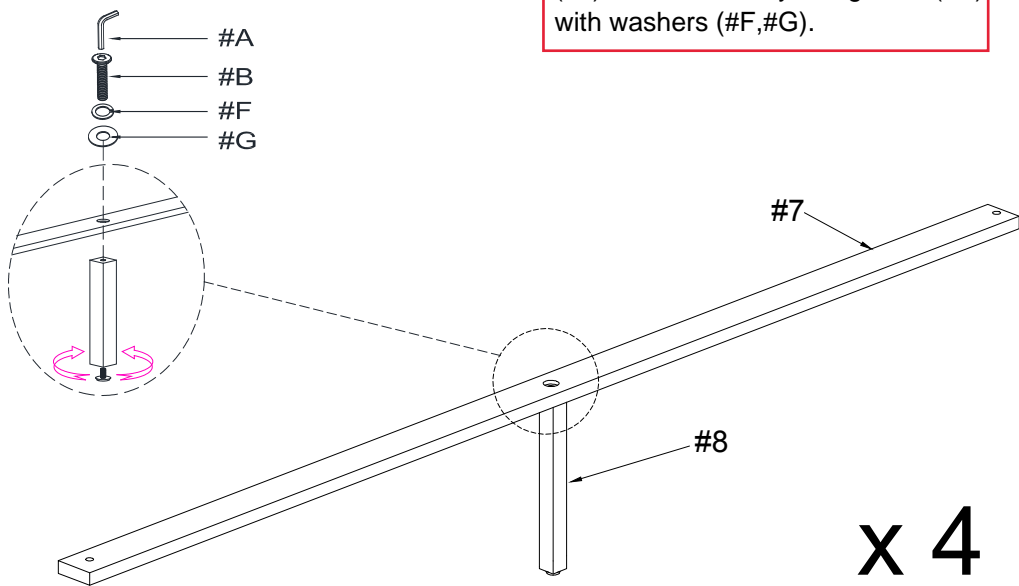
Align side rails (#3R/L) to the headboard, then secure by using bolts (#C) with washers (#F,H).



6

- Part #7 x1pc
- Part #8 x1pc
- Hardware #B x1pc
- Hardware #F x1pc
- Hardware #G x1pc

Attach support leg (#8) to the slats (#7). then secure by using bolts (#B) with washers (#F,#G).

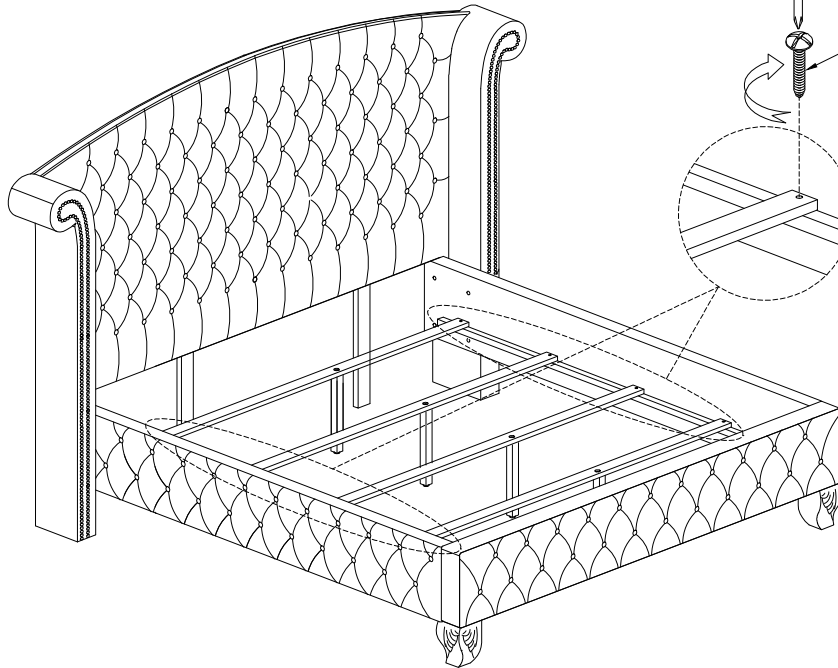


ASSEMBLY INSTRUCTIONS

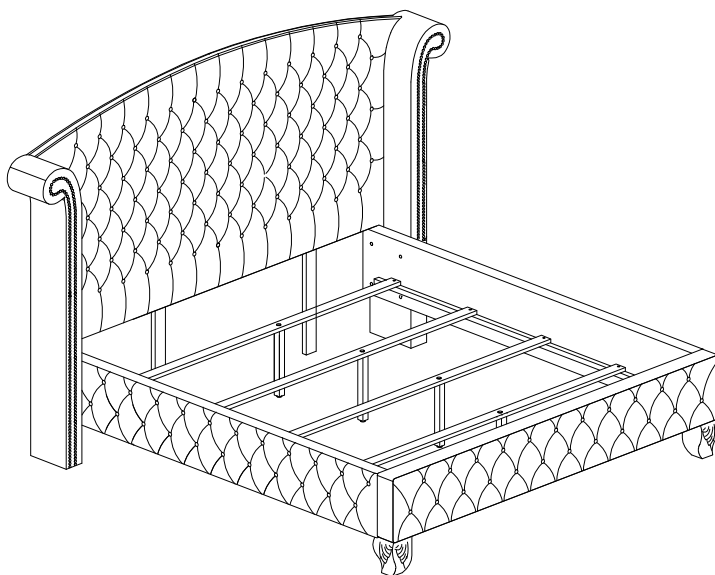
7

Hardware  #L x4pcs

Align slats to the side rails.
then secure by using screws
(#L).



8



ASSEMBLY COMPLETED



Please ensure the furniture rests on an even and flat surface. If the product wobbles or feels loose, double-check all bolts and/or screws are properly tightened and secured.

✔ Keep this handy!

Please retain this instruction manual and any order-related information for future reference.

✔ Lift, don't drag!

To avoid damage to product please always LIFT the product when transporting or adjusting the placement.