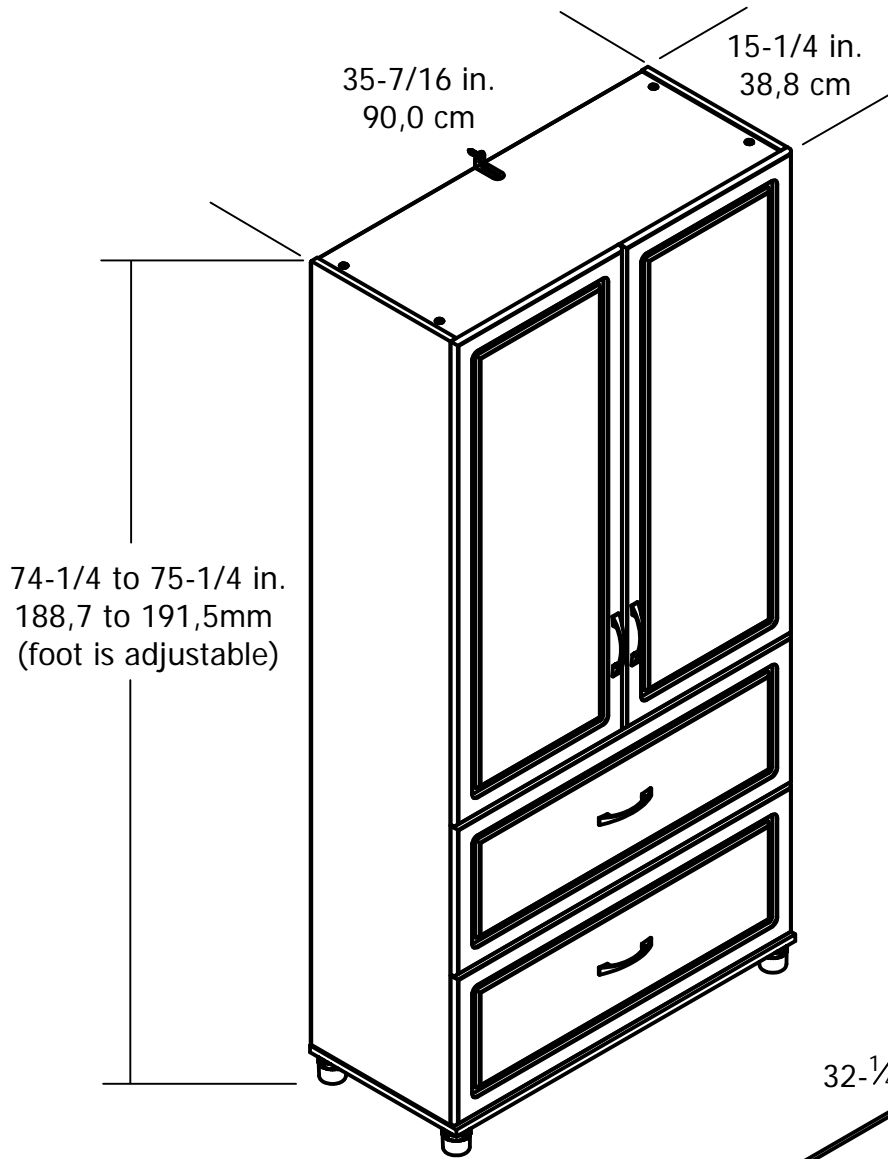


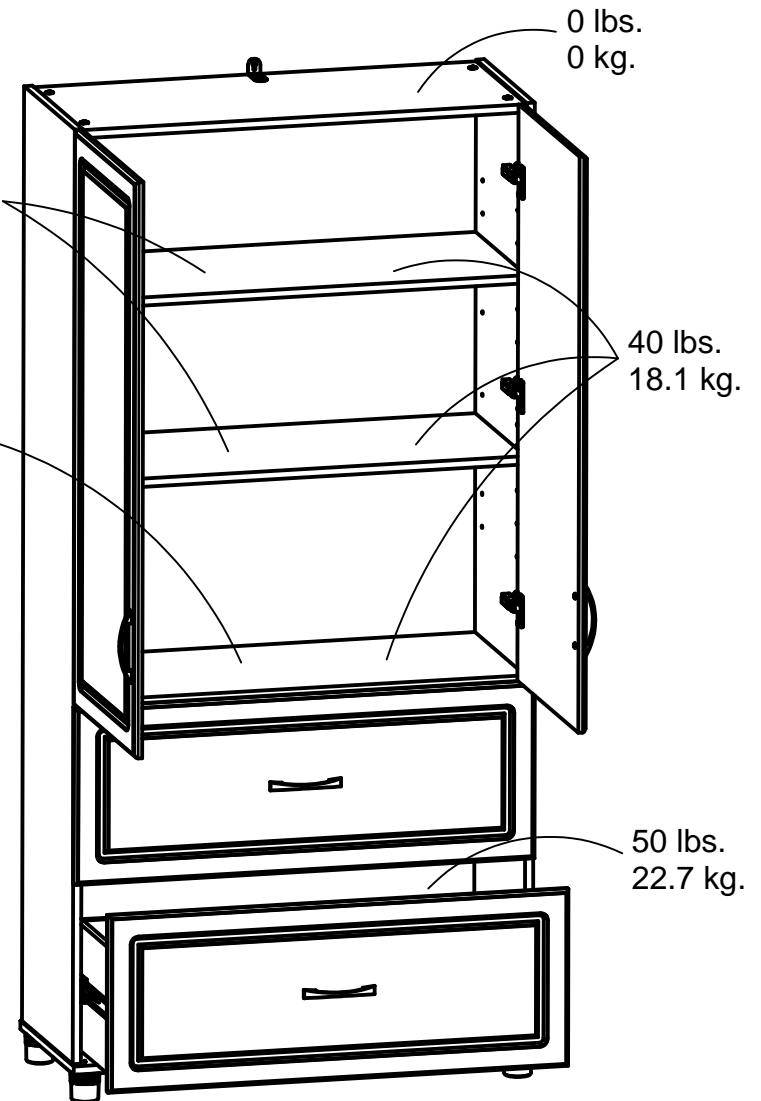
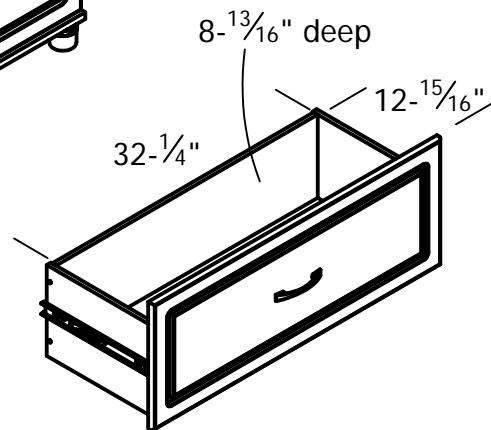
UNIT DESCRIPTION
2 DOOR / 2 DRAWER CABINET

ASSEMBLED DIMENSIONS (H X W X D)
74-1/4" X 35-11/16" X 15-3/8"
188.7cm X 90.6cm X 39.1cm



Adjustable Shelf:
34-1/8" wide
14-1/2" deep

Shelf:
34-1/8" wide
14-1/2" deep



FINISH: WHITE AQUASEAL
ONTARIO WHITE (DRAWER FRONT)
WEIGHT: 148 LBS (67.13 KG)