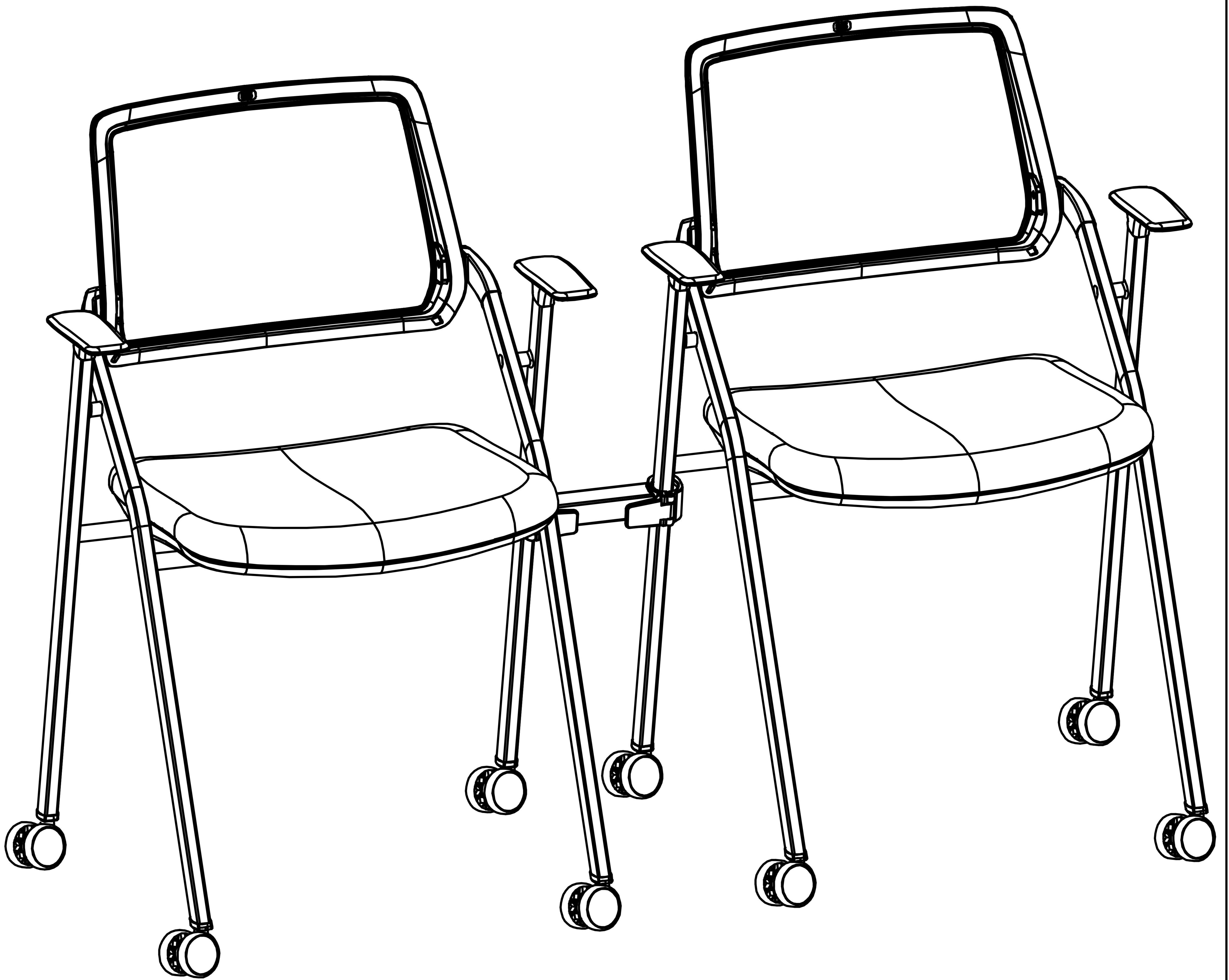


Assembly Instructions

ITEM NO.HKOFOC074



Assembly Instructions

HKOF0C074

INSTALLATION GUIDE

ONE PERSON ASSEMBLY: 5 MINUTES (APPROXIMATE)

BEFORE ASSEMBLY

1. Remove all packaging materials, staples and packing straps from the carton.
2. Confirm with Parts Checklist in Page 3.

ATTENTION

1. Leave sufficient room for assembly.
2. Do not assemble on the ground that may hurt the product.
3. Do not over-tighten any fittings as it may cause damage.
4. **DO NOT USE POWER TOOLS TO ASSEMBLE THIS PRODUCT.**
5. Do not sit or stand on it before the assembly is complete.

DAILY MAINTENANCE

1. Recommended for indoor use only.
2. Wipe with a soft, dry cloth. Keep away from abrasives and household cleaners.
3. Check all the fittings periodically and re-tighten if necessary. Do not use the product if any part is damaged or broken.

Okeyesen Office Desk Chair Warranty Policy

Okeyesen office desk chairs are warranted from the date of purchase due to material and workmanship factors. Details as follows:

1 YEAR on all unmovable metal parts;

1 YEAR on upholstered PU leather and foam;

1 YEAR on component parts including control mechanism, gas cylinder, wood, plastic parts, base and casters.

To make a warranty claim, please contact Okeyesen with model number, purchase proof, problem descriptions as well as pictures that shows the problem clearly.

Problem verified, Okeyesen will:

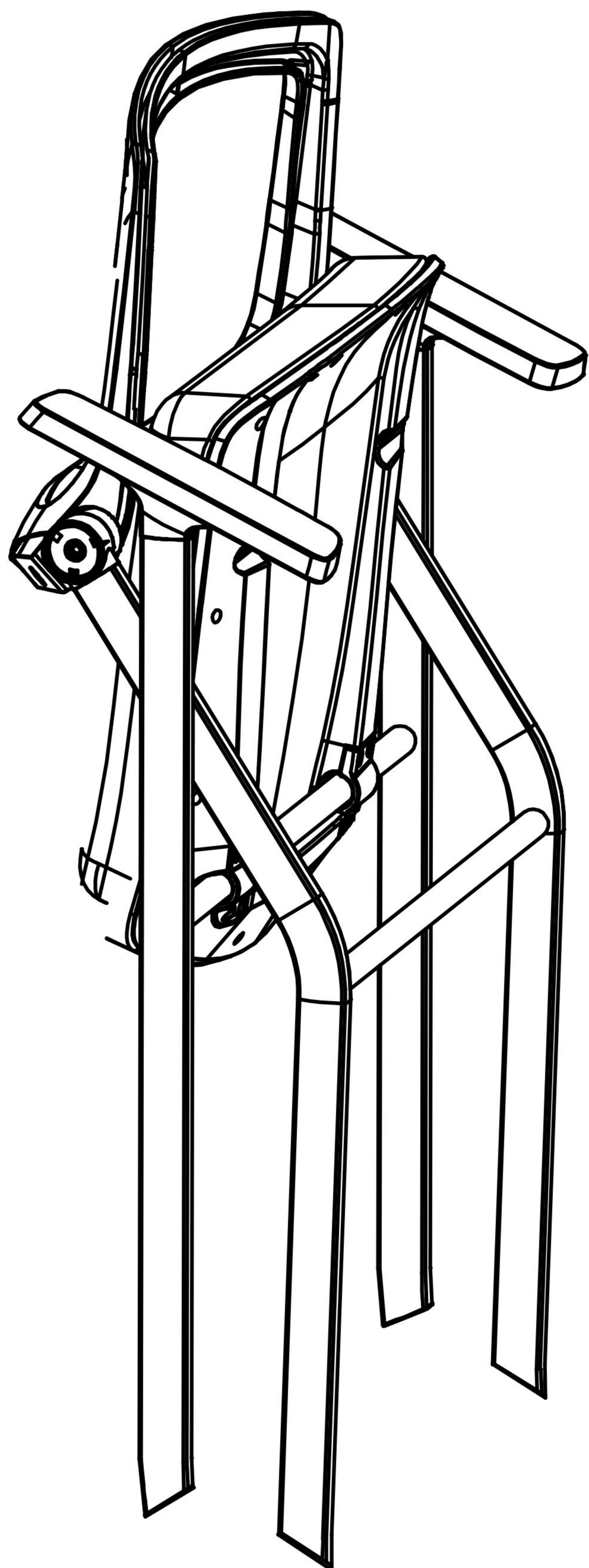
a) Send replacement parts.

b) Send a new product if necessary, customer need to return the original item to our warehouse. Return freight will be undertaken by Okeyesen.

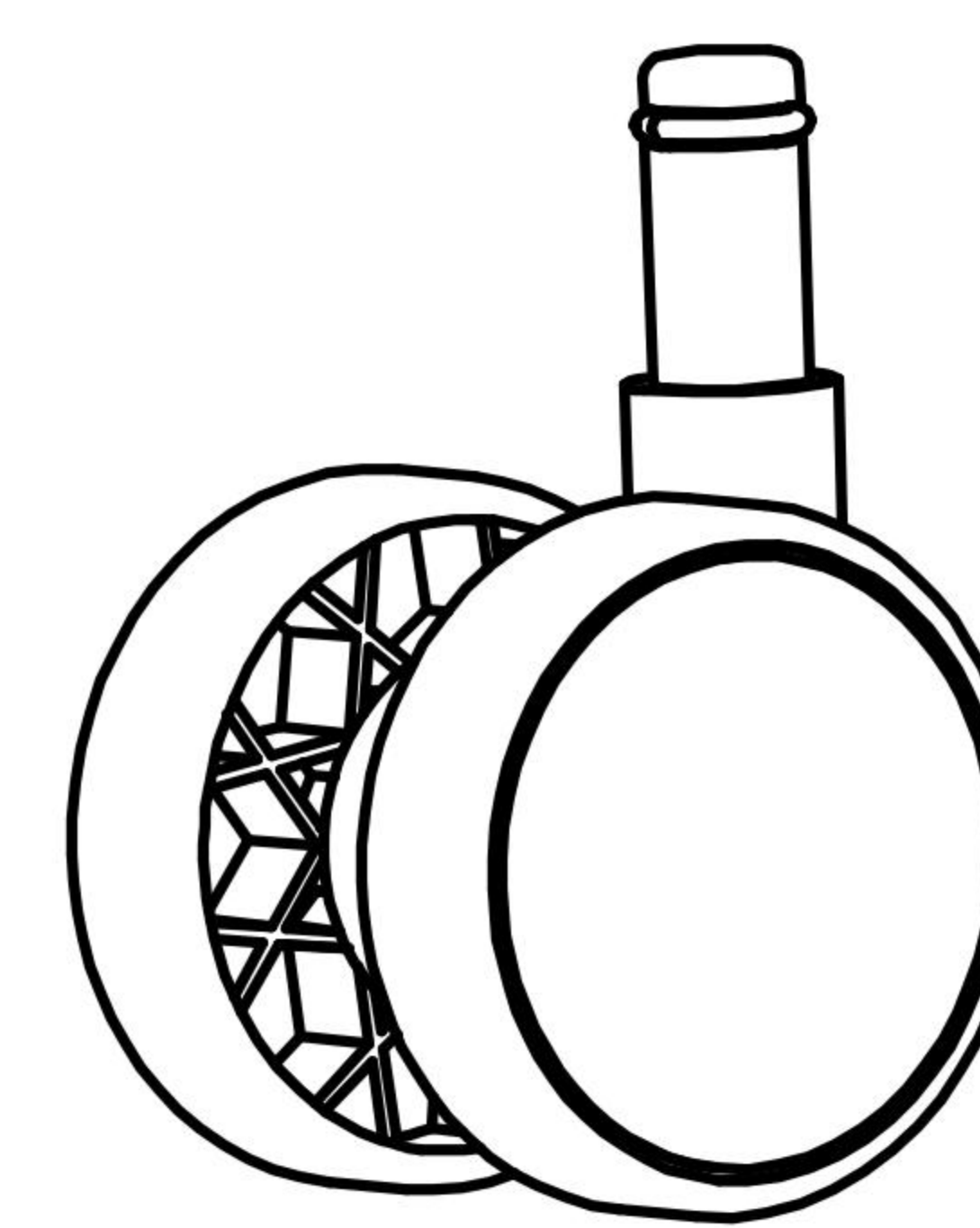
RETURN POLICY

30 Days Free Return Policy after receiving the product is available. Okeyesen offers prepaid return labels and undertake the return freight.

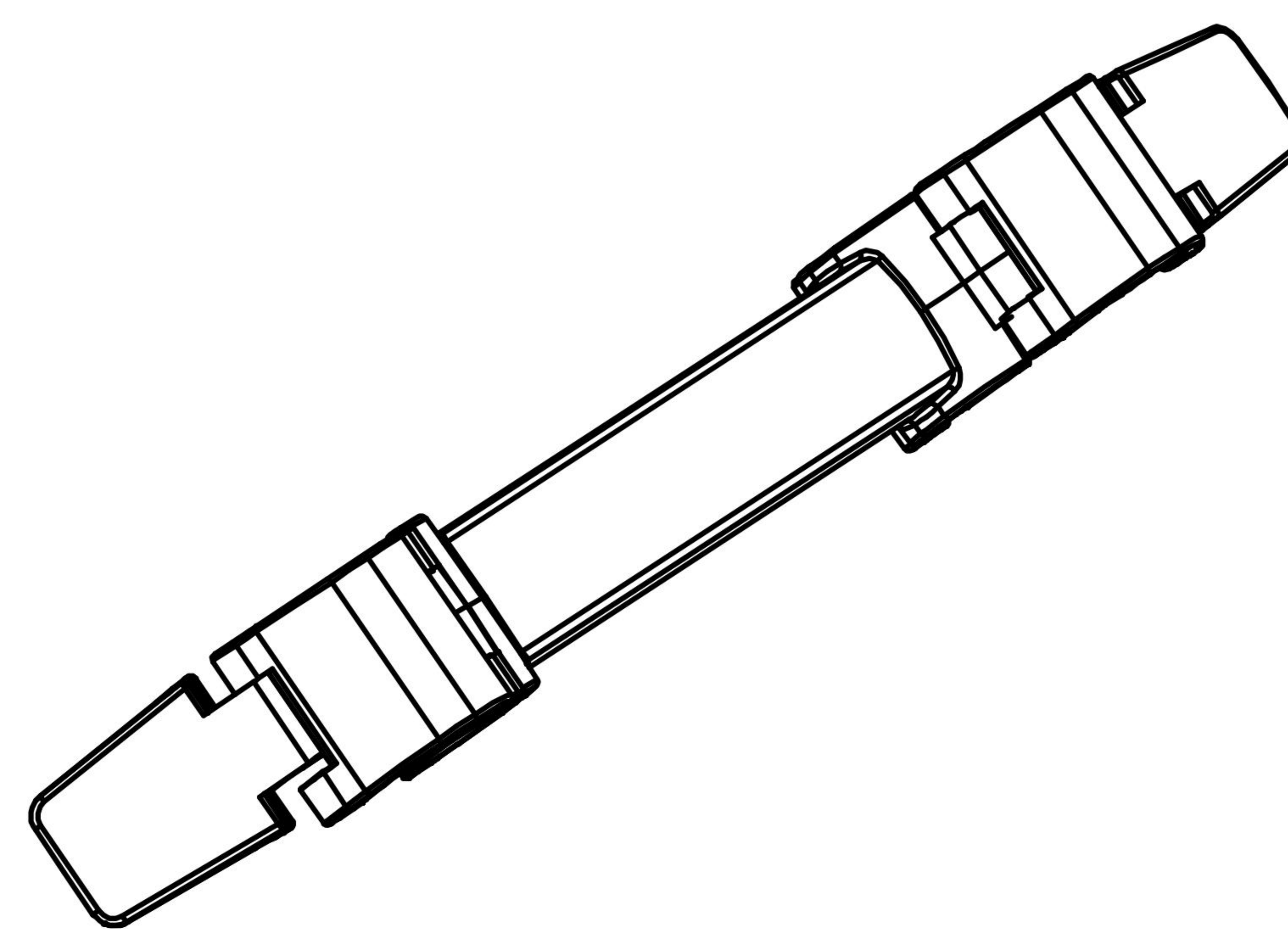
PARTS CHECK LIST



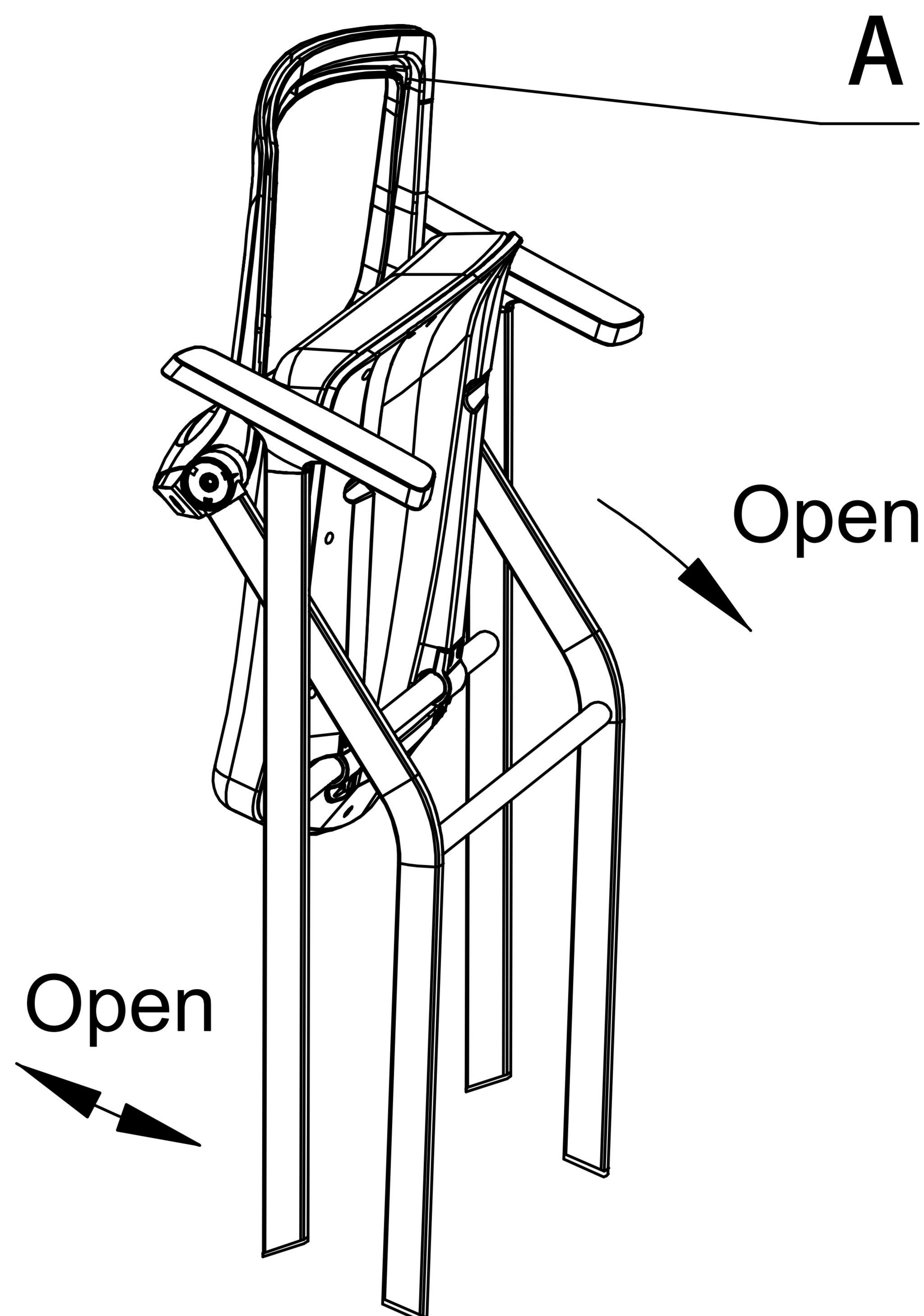
Ax2



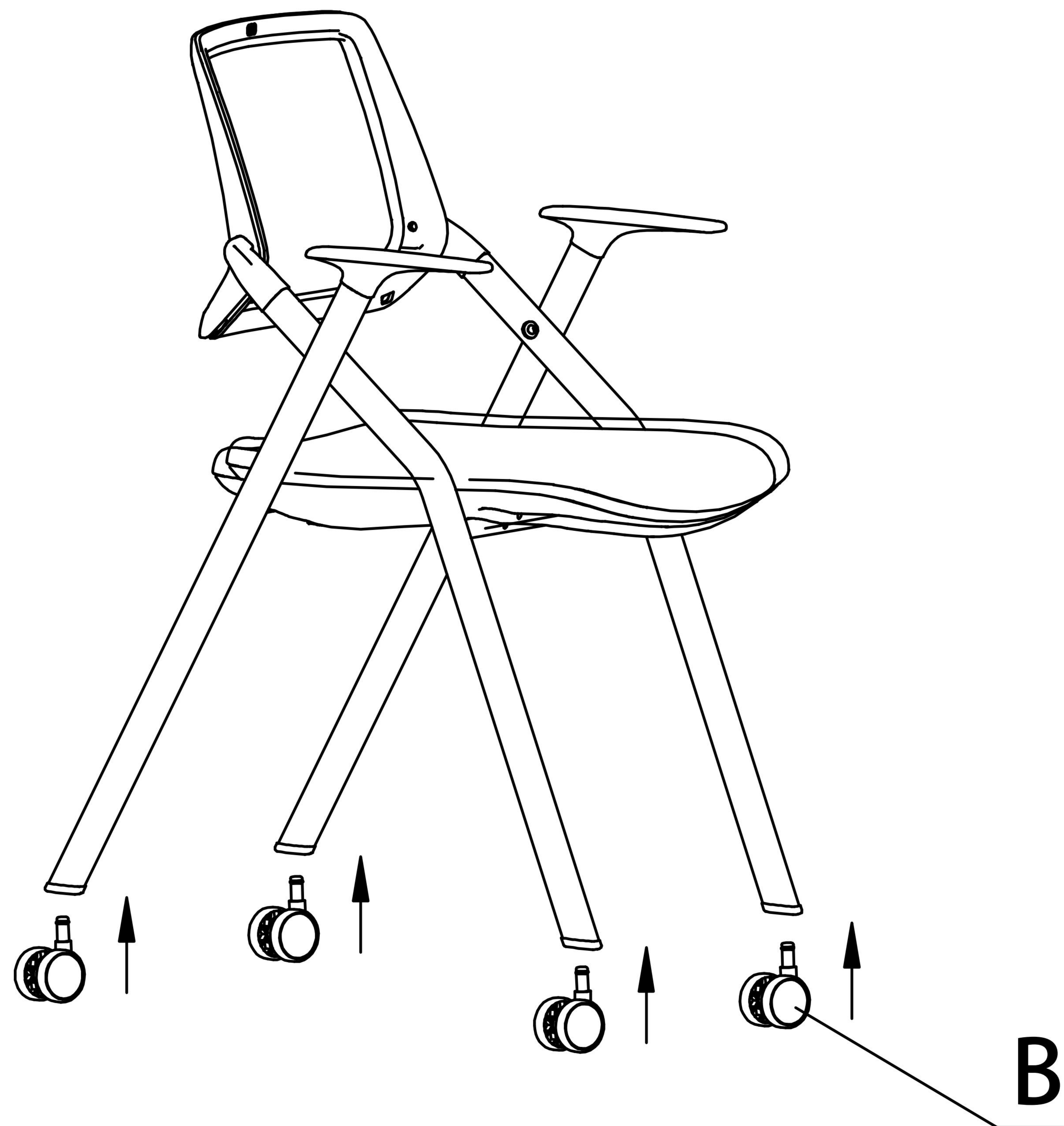
Bx8



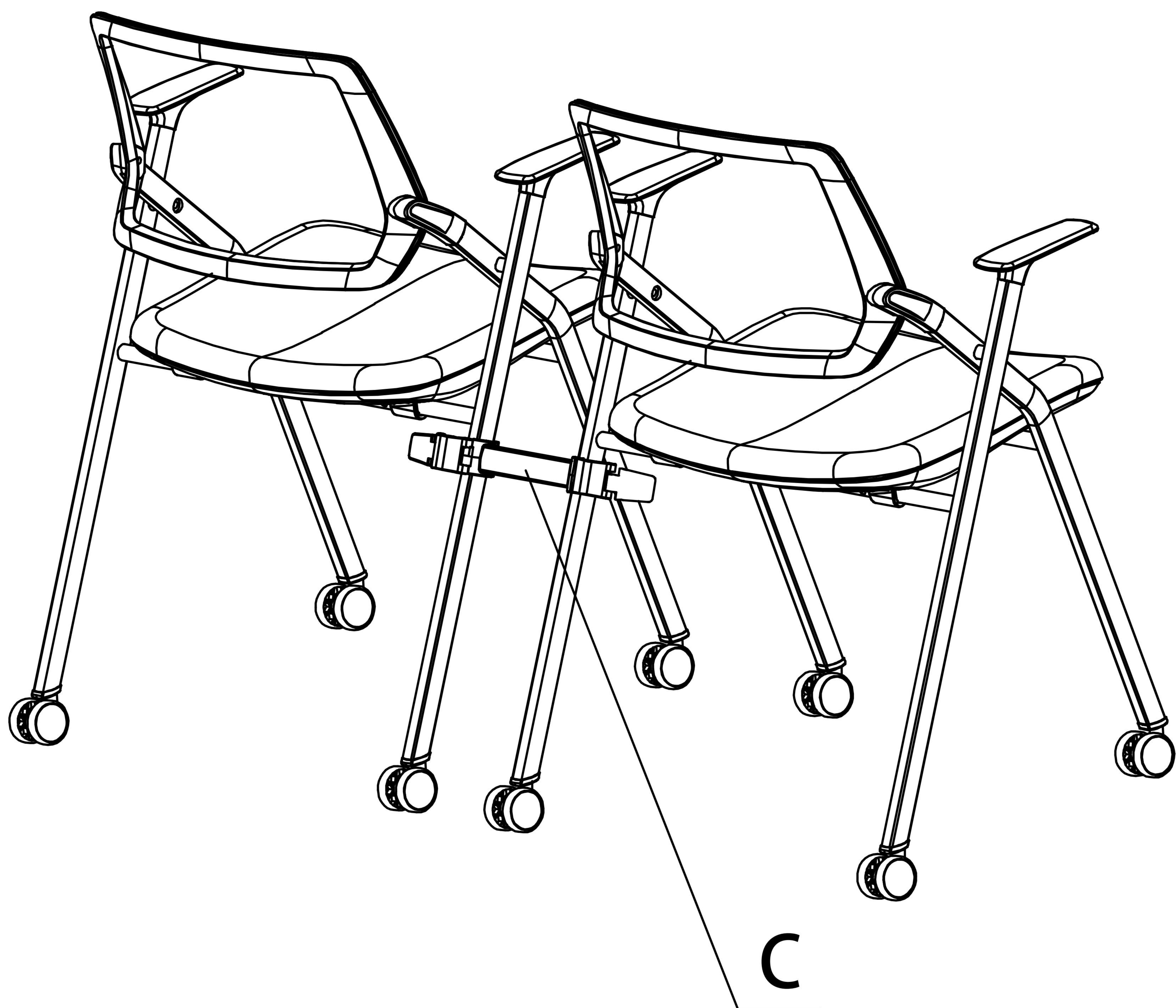
Cx1



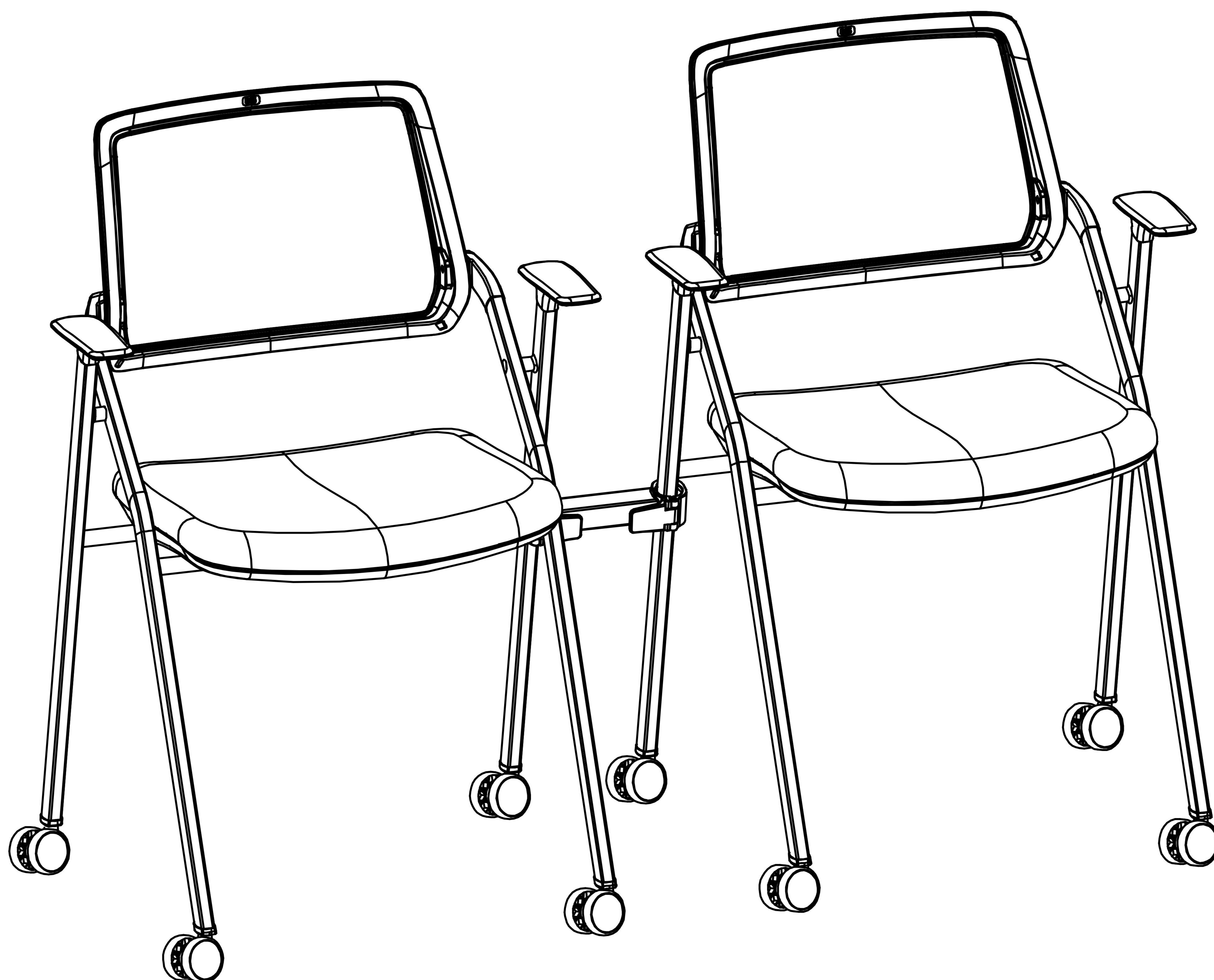
Step 1: Open the Chair **A** as the picture.



Step 2: Insert Casters **Bx8** into the chair with force.



Step 3(If Needed): Fasten the Connector **C** as the picture.



Step 4: Enjoy your new chairs!

THANK YOU

Thank you for choosing our product. We sincerely hope that the assembly process has been smooth and enjoyable for you. If you have any questions or suggestions during the use of the product, please feel free to contact us.

