










Assembly Instructions

Caution : You must read this before you proceed

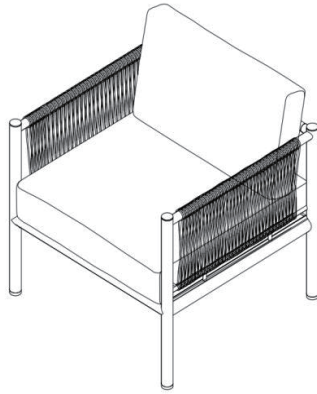
Care & Maintenance

- ⊘  ● Not for commercial use. For residential use only.
- ⊘  ● Do not put hot items directly on furniture surface.
- ⊘  ● Do not clean furniture with harsh cleansers or polish.
- ✓  ● To obtain the longest lifespan of your outdoor products, minimizing exposure to direct sunlight is recommended.
- ⊘  ● Children should not climb or jump on the furniture.
- ⊘  ● Do not write on furniture without a padded barrier to protect the surface.
- ✓  ● To obtain the longest lifespan of your outdoor products, avoid extended and lengthy exposure to rain, snow, and direct sunshine. Whenever possible cover the product and /or place under patio or awnings.
- ⊘  ● Stains may be removed with mild soap solution and damp cloth.
- ✓  ● Dust and pick-up spills using a clean, non-colored, lint-free cloth.




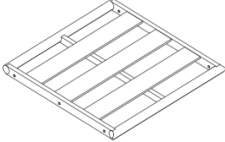
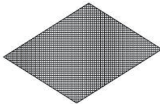
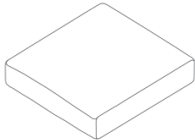
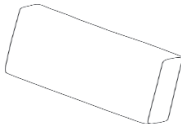
Please look in boxes for hardware packs and legs.

Sets often ship in multiple boxes and may arrive a day or two apart.



Chair








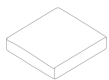
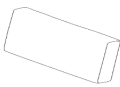



Parts List

Label	Picture	Description	QTY
A		Left Support Bar	1
B		Right Support Bar	1
C		Back Support Bar	1
D		Seat	1
E		Anti-Slip Mat	1
F		Seat Cushion	1
G		Back Cushion	1

Hardware

Label	Picture	Description	QTY
①		Allen wrench	1
②		Bolt (M6*15MM)	3
③		Bolt (M6*30MM)	7

Assembly Preparation

Before Beginning Assembly:						
			①		② X 3	



- Read instructions, cover to cover-



- Have 2 adults on hand for assembly-



- Do not assemble on flooring or carpet-



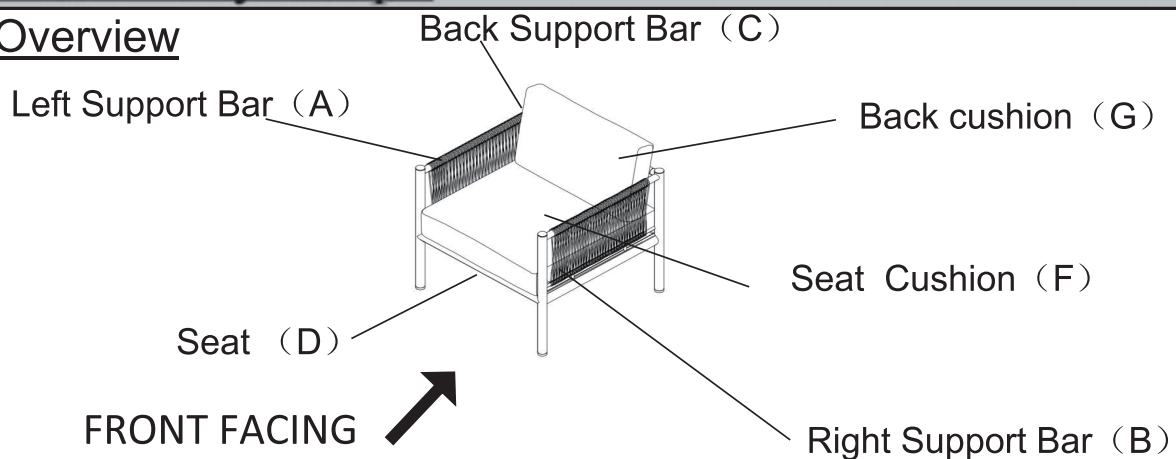
- Assemble on a clean non-marring surface (packing foam)-



- Save all packaging until finished-

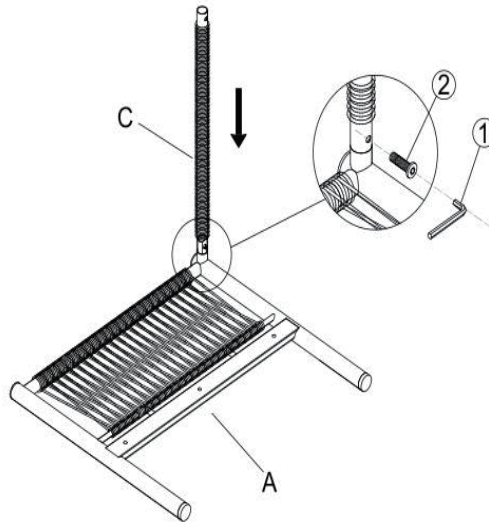
Assembly Steps

Overview



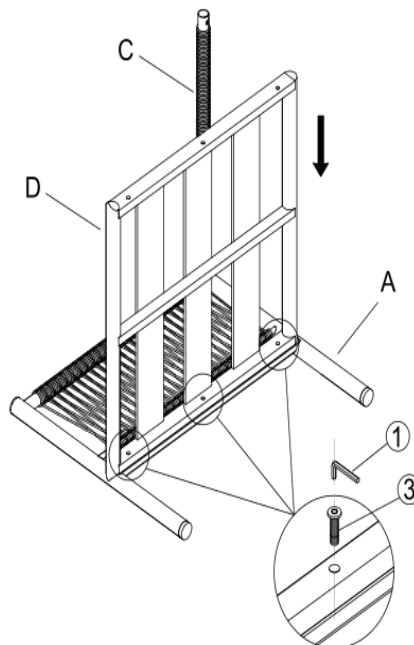
This Chair has multiple parts and may require up to 30 minutes to assemble. To give you an overview of the Chair parts, the above picture is to help you put the various parts into perspective. Please read through the instructions below to familiarise yourself with the parts and steps before assembly.

Step 1



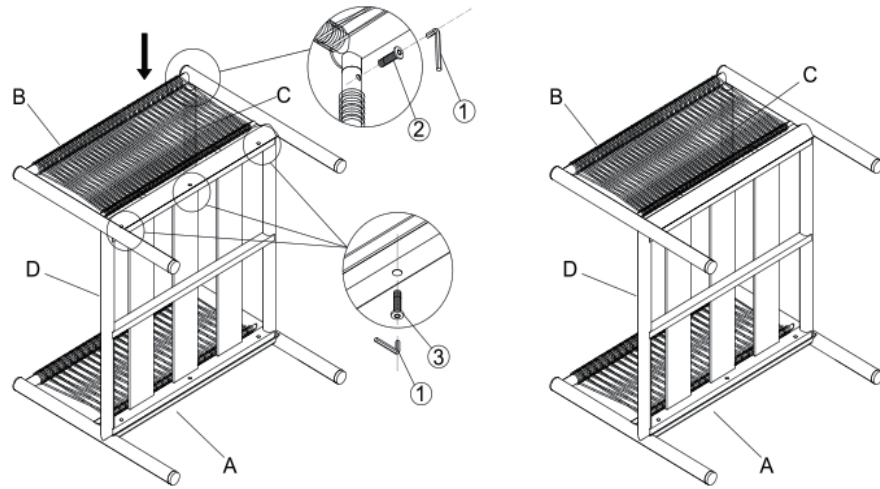
Open the carton and place all parts on a clean, non-damaged surface.
As shown in the figure: Install part (C) to part (A), use the Allen Wrench (①) to lock Bolt(②)completely.

Step 2



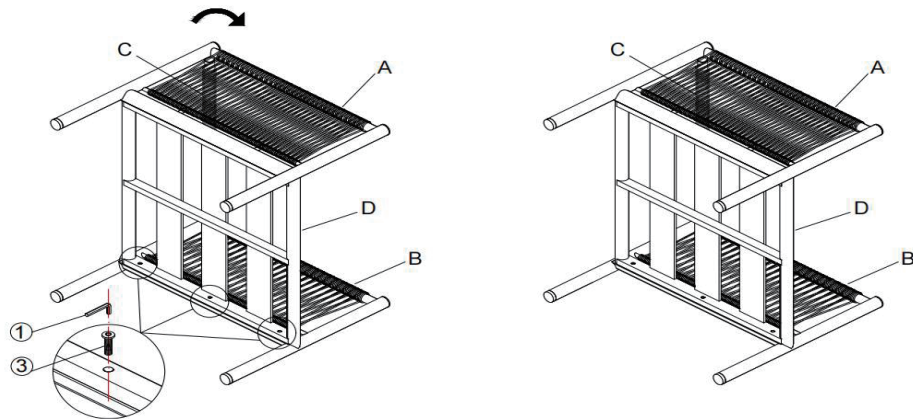
As shown in the figure: install part (D) to part (A), use the Allen Wrench (①) to lock Bolt (③) completely.

Step 3



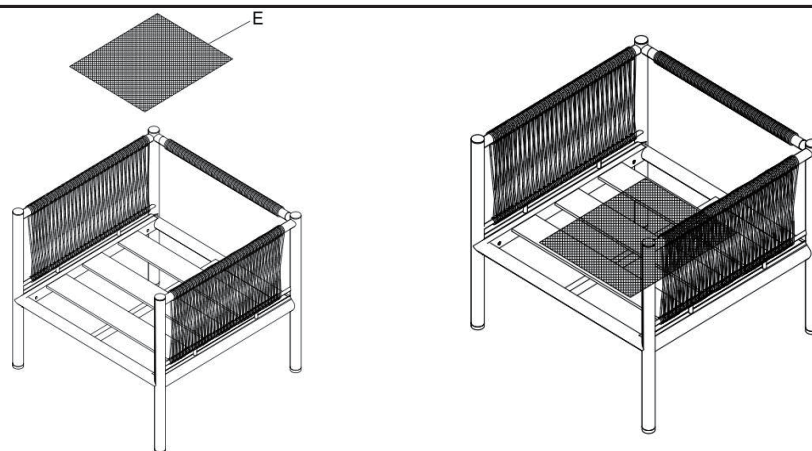
As shown in the figure: Install part (B) to part (C,D), use the Allen wrench (①) to lock the Bolt (②) completely, and simply lock the Bolt (③)

Step 4



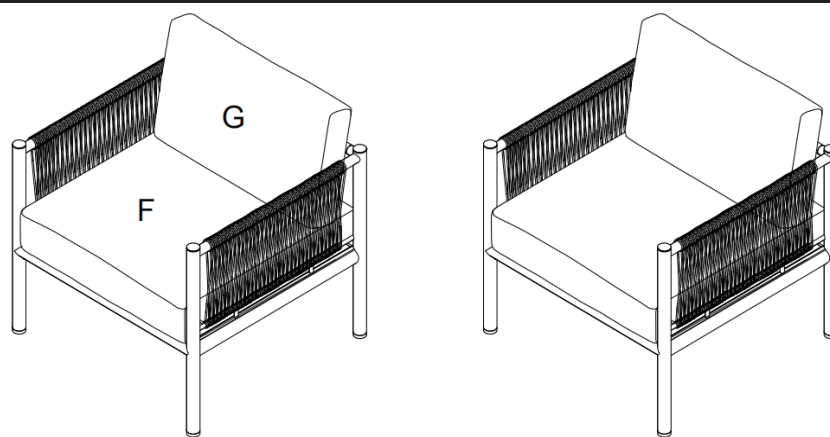
As shown in the picture: Flip the whole chair in the direction, use the Allen wrench (①) to lock Bolt (③) completely

Step 5



Place the Anti-Slip Mat(E) on the Chair up

Step 6



As shown in the figure: Install cushion (F) and cushion (G)

Stand the Chair up.

Put Back Cushion(F) and Seat Cushion(E) on the Chair.

Place the Chair on a LEVEL SURFACE.

Inspect it and make sure all parts are adequately connected.

Gently and carefully sit onto the Chair.

This will help to align all parts at all joints. Then get off the Chair, and in a sequential manner, proceed to tighten all Bolts. When tightening the Bolts, tighten sequentially.

DO NOT tighten any Bolt fully and then move on to the next one.

This may cause the frame to warp.

If there are still wobbles, loosen the Bolts and execute this same process.

Note: This step is done best with the assistance of a second adult.

Your Chair is ready for use.

This Chair can only be used on a flat, level surface.