

ASSEMBLY INSTRUCTIONS

WARNING!

● If cushion gets wet, hang over chair to dry to prevent mold/mildew.

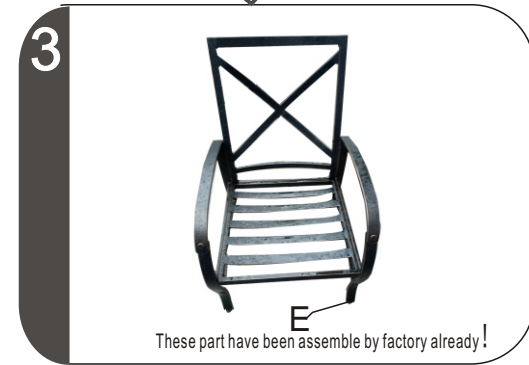
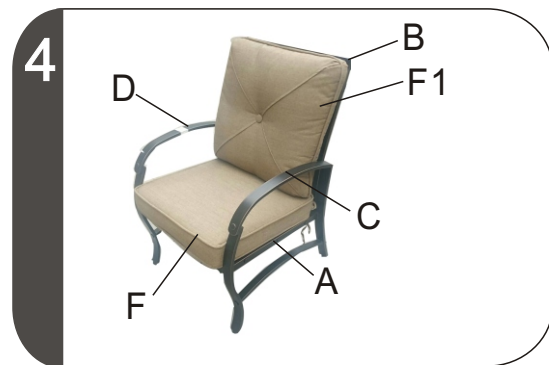
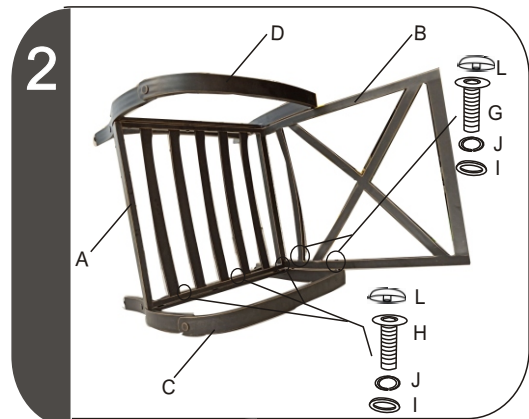
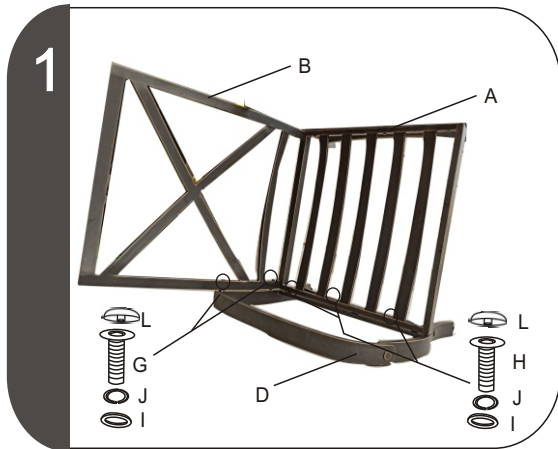
ATTENTION:

1. Please read these instructions carefully before assembly.
2. Since aluminum is soft metal, over tightening may strap thread or break the parts.
3. DO NOT use power tools.

Assembly steps:

1. Loosely attach the seat and back frame(A&B) to the arms(C&D) with bolt(H&G), flat washers(I) lock washer(J), and PVC cover(L).
DO NOT tighten the nuts.
2. Turn the chair onto its legs and put the cushion on (F&F1) then it is ready to use.

Warning : Do not use acid or alkaline washing liquid to clean the product.



Parts list	Parts picture	Description	Q'ty	Parts list	Parts picture	Description	Q'ty
A		Seat frame	1	G		Screw	4
B		Back frame	1	H		Screw	6
C		Arm right	1	I		Flat washer	10
D		Arm left	1	J		Lock washer	10
E		Foot leveler	4	L		PVC cover	10
F		Seat cushion	1	M		Wrench	1
F1		Back cushion	1				

* DO NOT OVER TIGHTEN

* NO POWER TOOLS

* NO SOCKET DRIVERS

