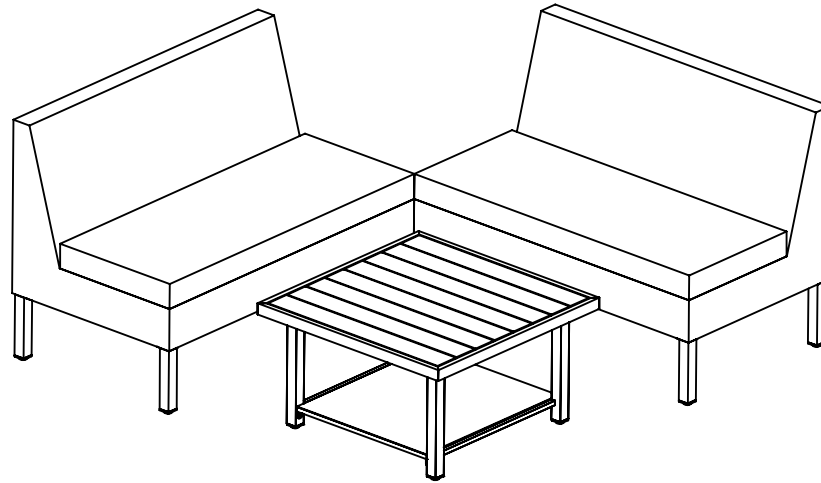
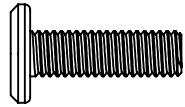


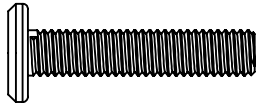
ASSEMBLY INSTRUCTION



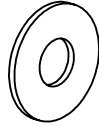
① x24
Bolt M6x15



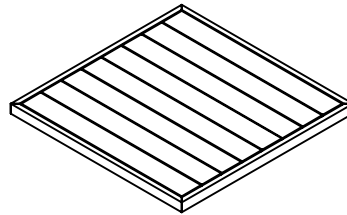
② x4
Bolt M6x20



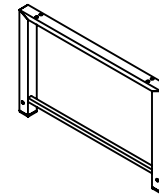
③ x8
Bolt M6x30



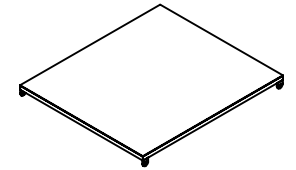
④ x36
Washer M6



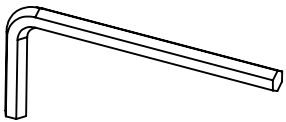
④ D x1



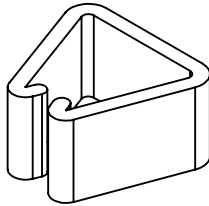
⑤ E x2



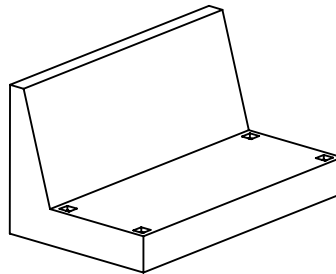
⑥ F x1



⑦ 5 x2



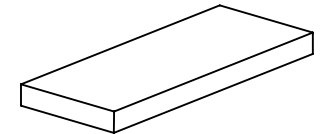
⑧ 6 x4



⑨ A x2

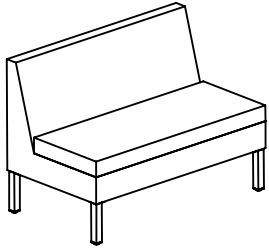


⑩ B x8



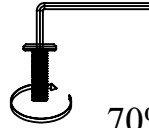
⑪ C x2

ASSEMBLY INSTRUCTION



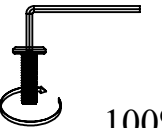
X2

Step 1

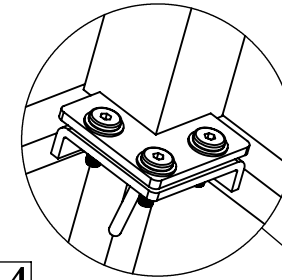
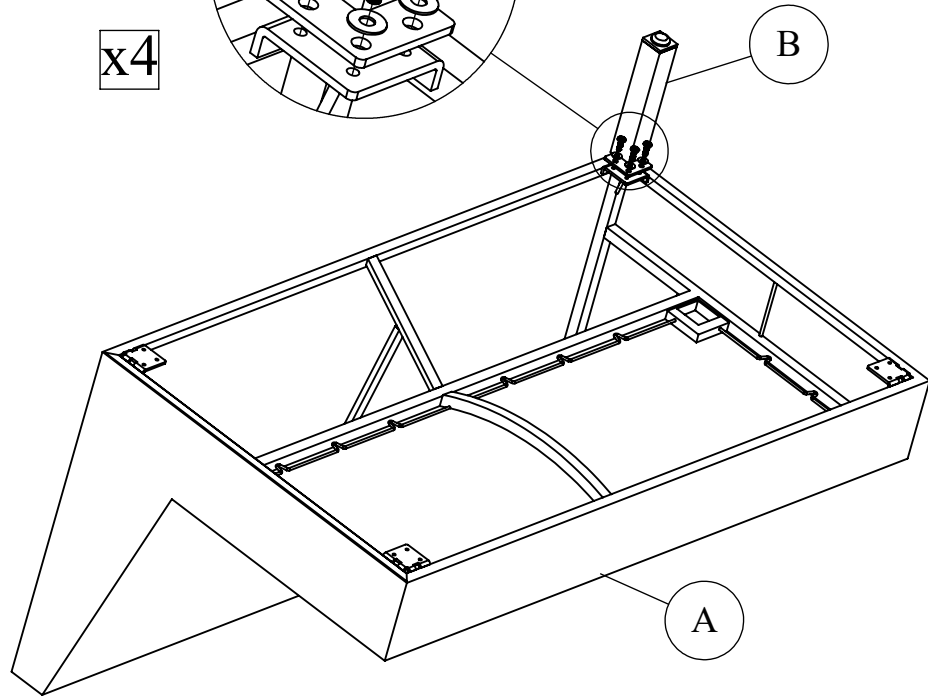
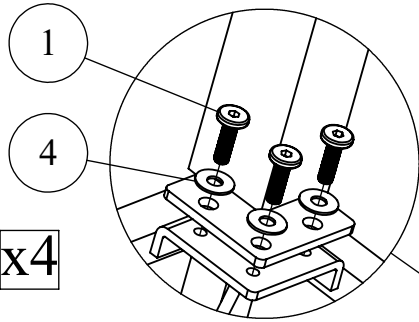


70%

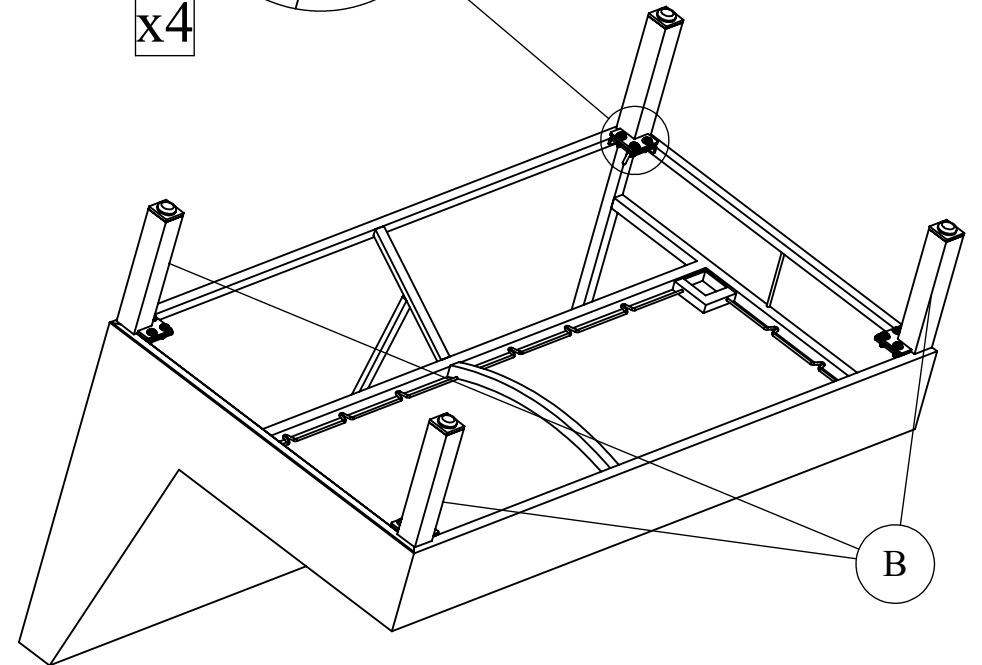
Step 2



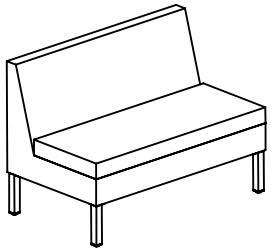
100%



x4

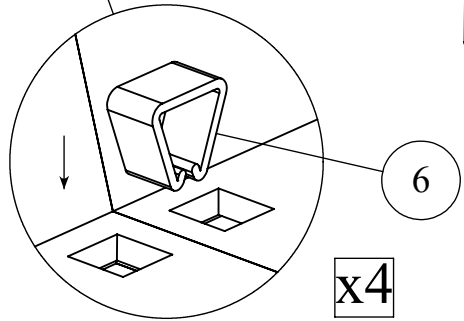
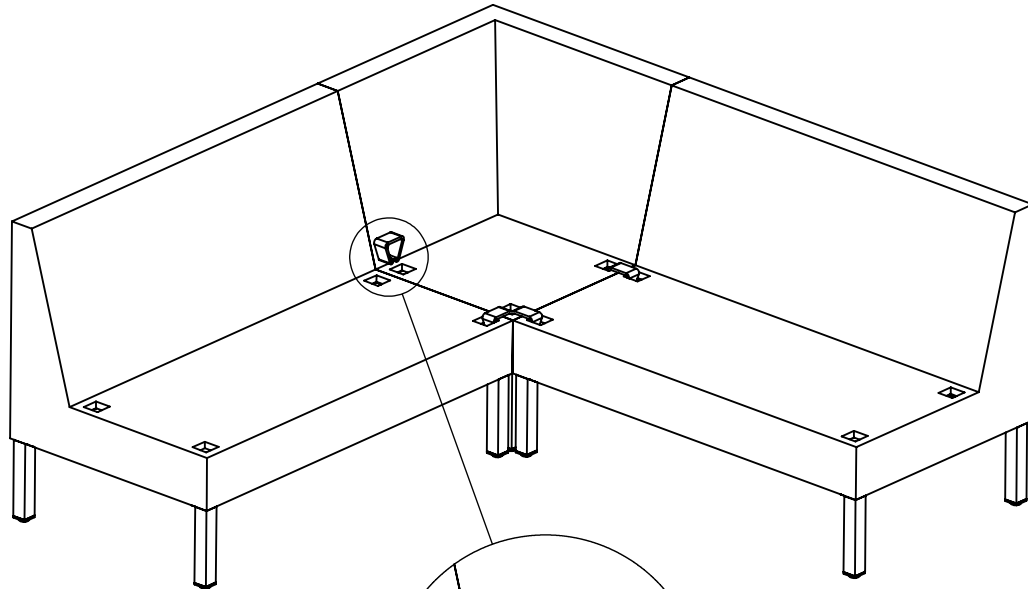


ASSEMBLY INSTRUCTION



X2

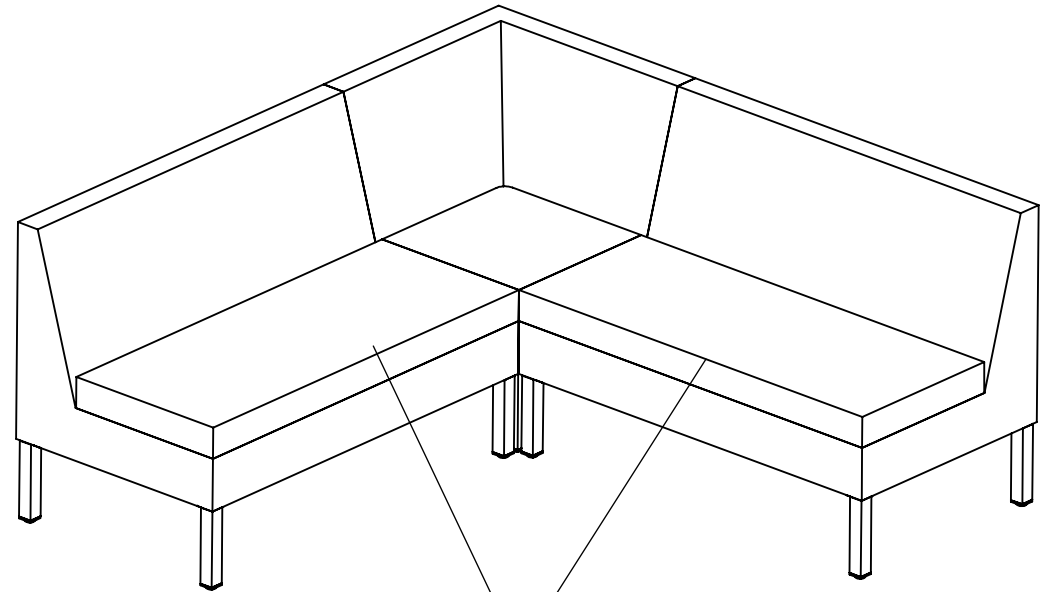
Step 3



6

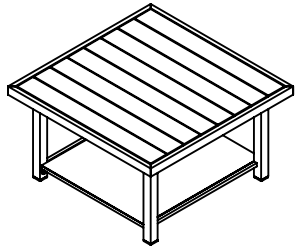
X4

Step 4



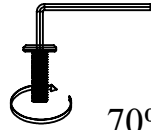
C

ASSEMBLY INSTRUCTION



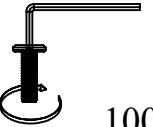
X1

Step 5

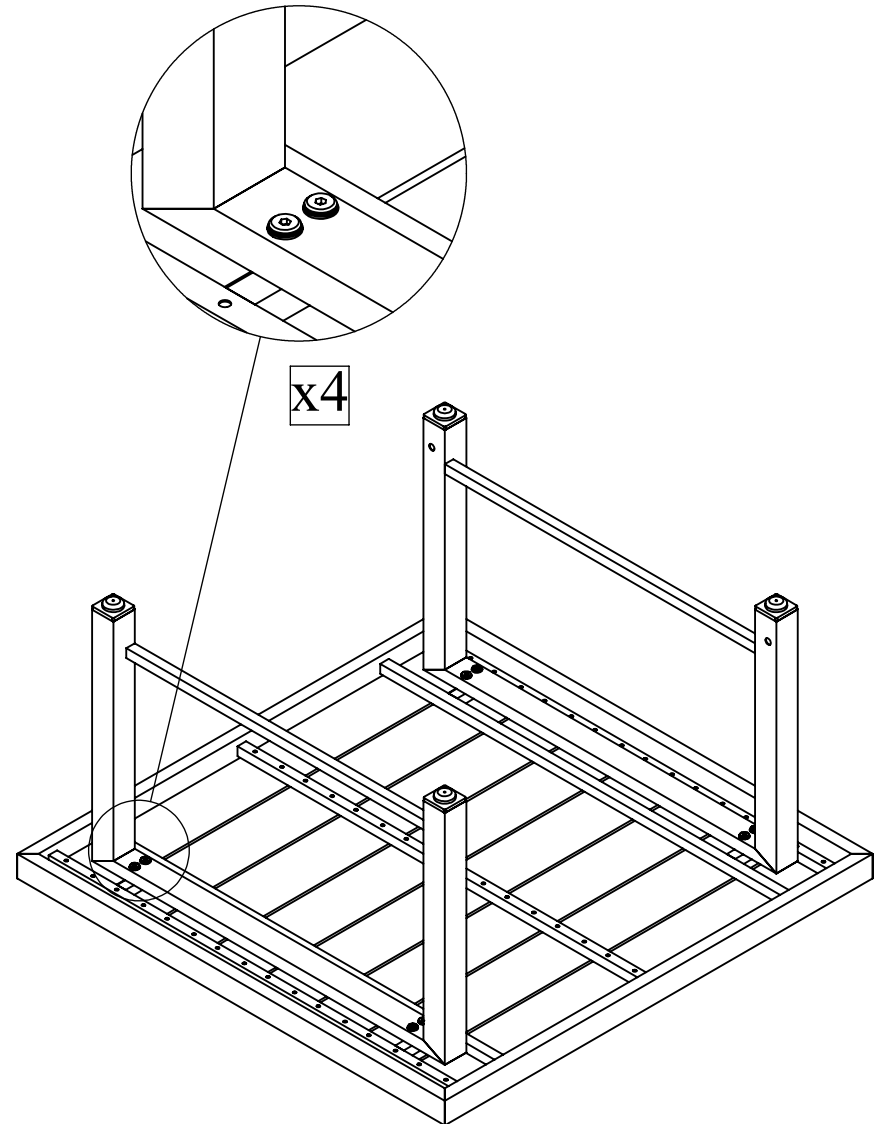
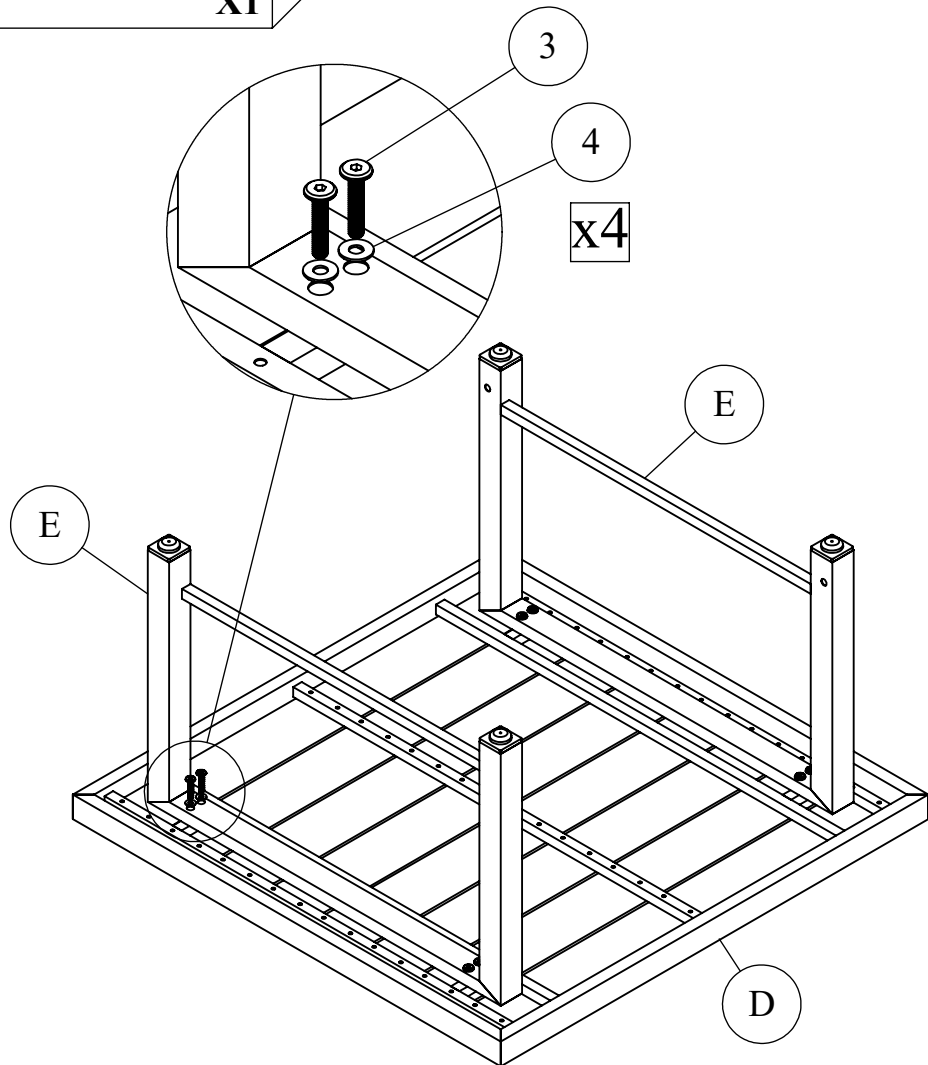


70%

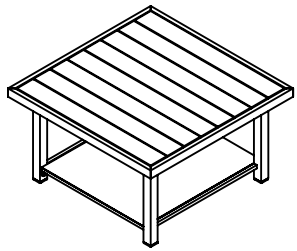
Step 6



100%

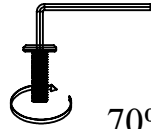


ASSEMBLY INSTRUCTION



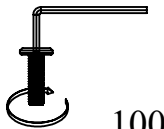
Step 7

X1

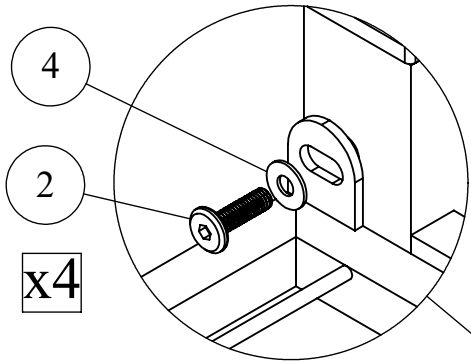


70%

Step 8



100%

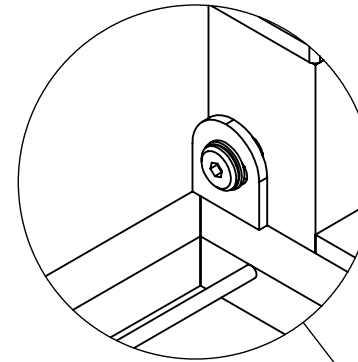
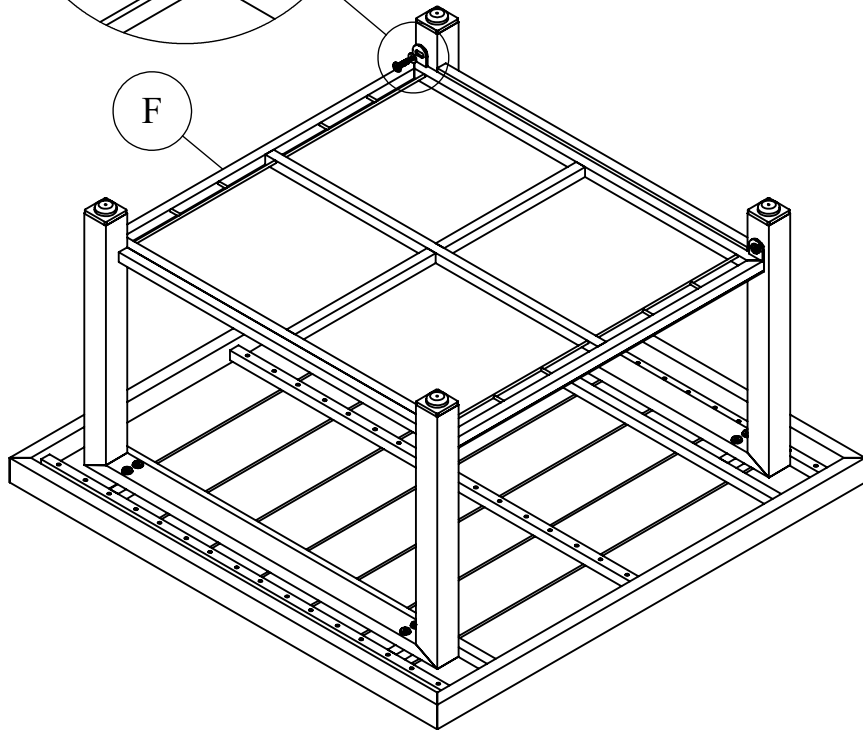


4

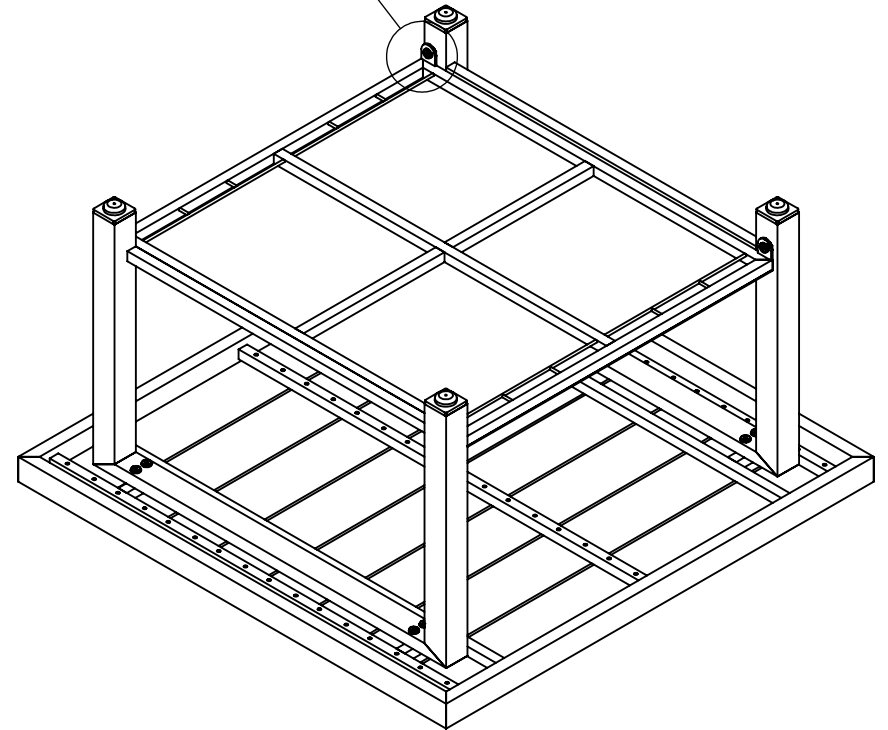
2

x4

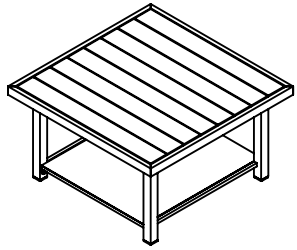
F



x4



ASSEMBLY INSTRUCTION



X1

Step 9

