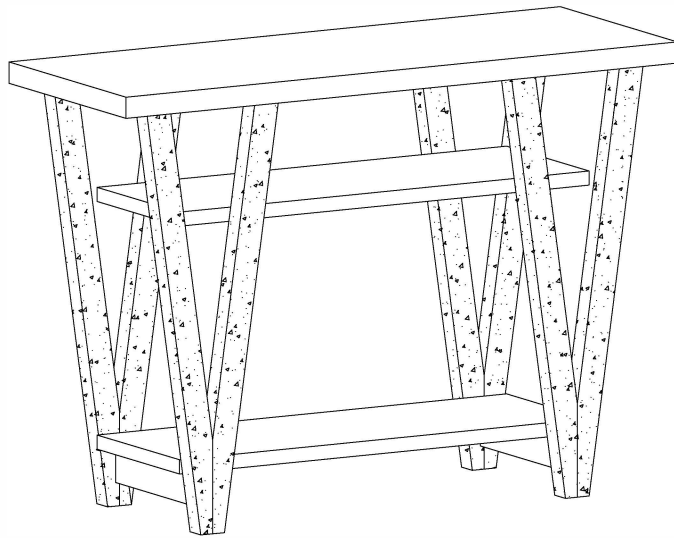


# ASSEMBLY INSTRUCTIONS COASTER FINE FURNITURE



*Fine Furniture for every stage of life*

**Sofa  
Table**

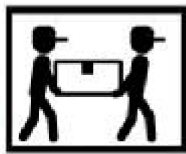
## ASSEMBLY INSTRUCTIONS

### ASSEMBLY TIPS:

- 1.Remove hardware from box and sort by size.
- 2.Please check to see that all hardware and parts are present prior to start of assembly.
- 3.Please follow attached instructions in the same sequence as numbered to assure fast & easy assembly.

### Warning !!


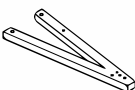
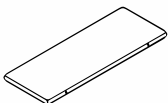
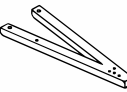
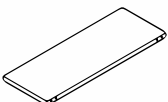
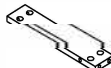
1. Don't attempt to repair or modify parts that are broken or defective. Please contact the store immediately.
2. This product is for home use only and not intended for commercial establishment.

















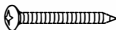
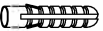

**ASSEMBLY TIME**

**30 MINUTES**

### PARTS IDENTIFICATION

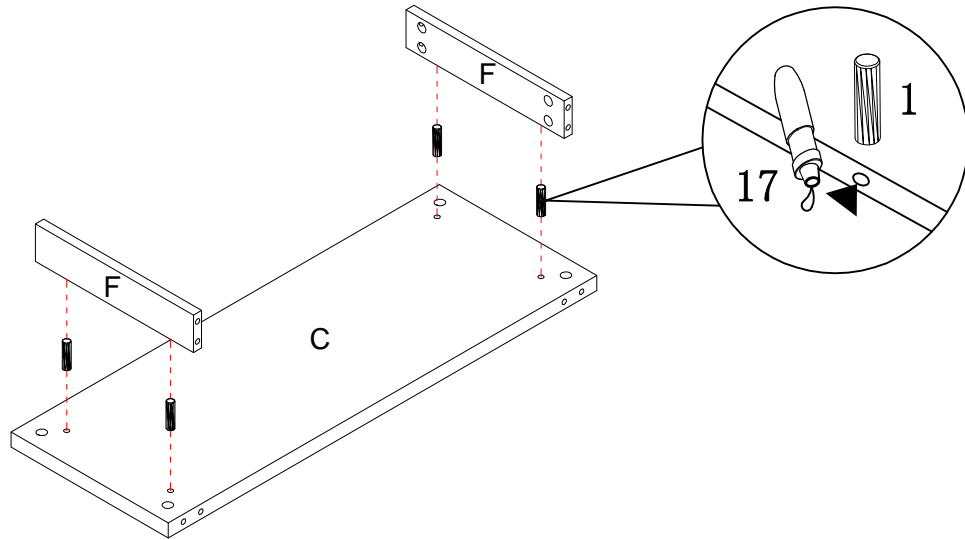
|                  |   |      |                                       |   |       |
|------------------|---|------|---------------------------------------|---|-------|
| (A) TOP          |  | 1 PC | (D) FRONT RIGHT LEG/<br>REAR LEFT LEG |  | 2 PCS |
| (B) MIDDLE SHELF |  | 1 PC | (E) FRONT LEFT LEG/<br>REAR RIGHT LEG |  | 2 PCS |
| (C) BOTTOM PANEL |  | 1 PC | (F) BOTTOM SUPPORT                    |  | 2 PCS |

## HARDWARE IDENTIFICATION

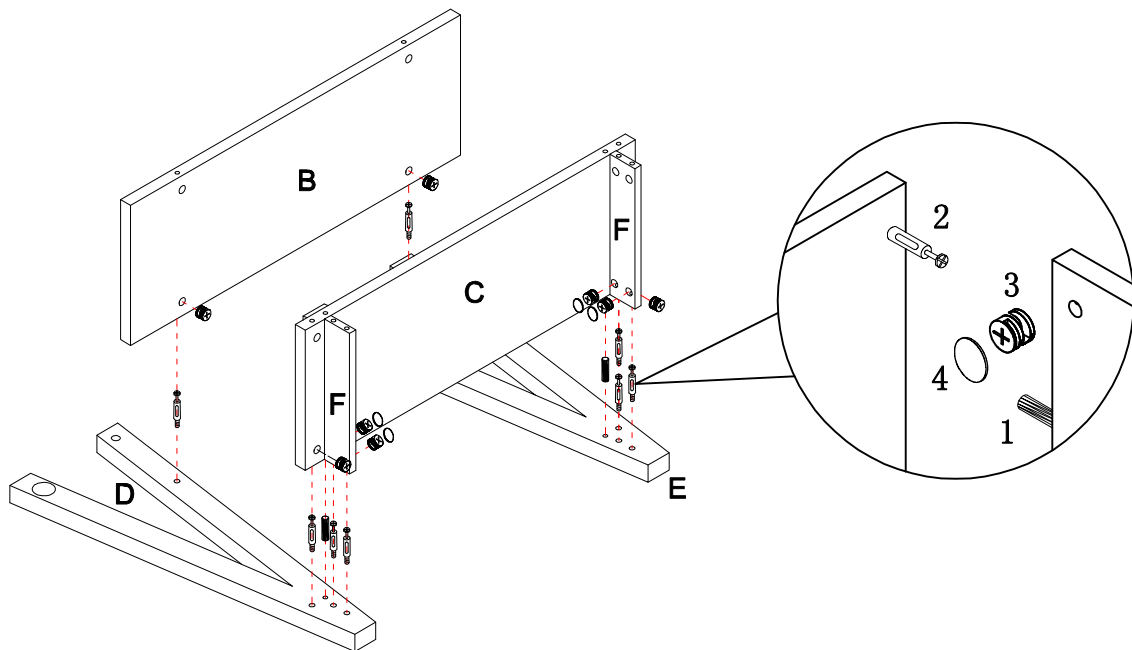
|    |                     |            |   |       |
|----|---------------------|------------|---|-------|
| 1  | DOWEL               | ø8x25mm    |    | 8pcs  |
| 2  | CAMBOLT             | L29mm      |    | 20pcs |
| 3  | CAMLOCK             | ø15mm      |    | 20pcs |
| 4  | SMALL STICKER       | ø20mm      |    | 8pcs  |
| 5  | FULL THREADED ROD   | M8x70mm    |    | 4pcs  |
| 6  | JAM WASHER          | M8mm       |    | 4pcs  |
| 7  | WASHER              | ø8xø16x2mm |    | 4pcs  |
| 8  | NUT                 | M8mm       |    | 4pcs  |
| 9  | LARGE STICKER       | ø45mm(BK)  |    | 4pcs  |
| 10 | WRENCH              | M13mm      |    | 1pc   |
| 11 | SMALL STICKER       | ø20mm(BK)  |  | 4pcs  |
| 12 | THE RESTRAINT STRAP | 197x5x1mm  |   | 1pc   |
| 13 | BRACKET             | 12x12x1mm  |  | 2pcs  |
| 14 | MEDIUM SCREW        | ø4x25mm    |  | 1pcs  |
| 15 | WALL SCREW          | ø5x40mm    |  | 1pc   |
| 16 | PLASTIC ANCHOR      | ø8x40mm    |  | 1pc   |
| 17 | GLUE                |            |  | 1pc   |

# ASSEMBLY INSTRUCTIONS

## STEP 1

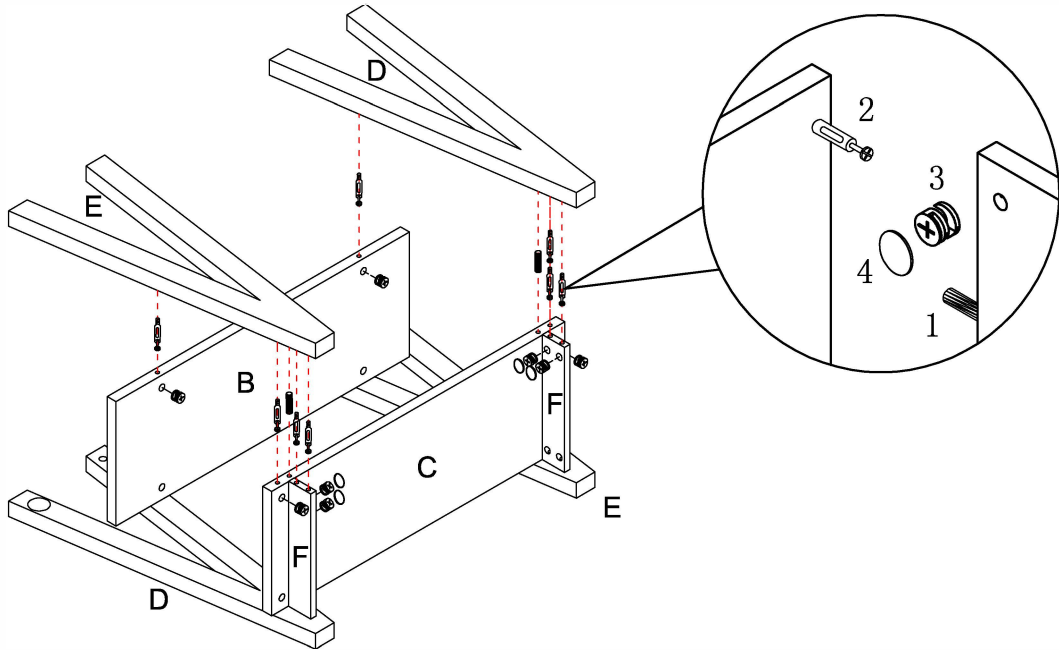


## STEP 2

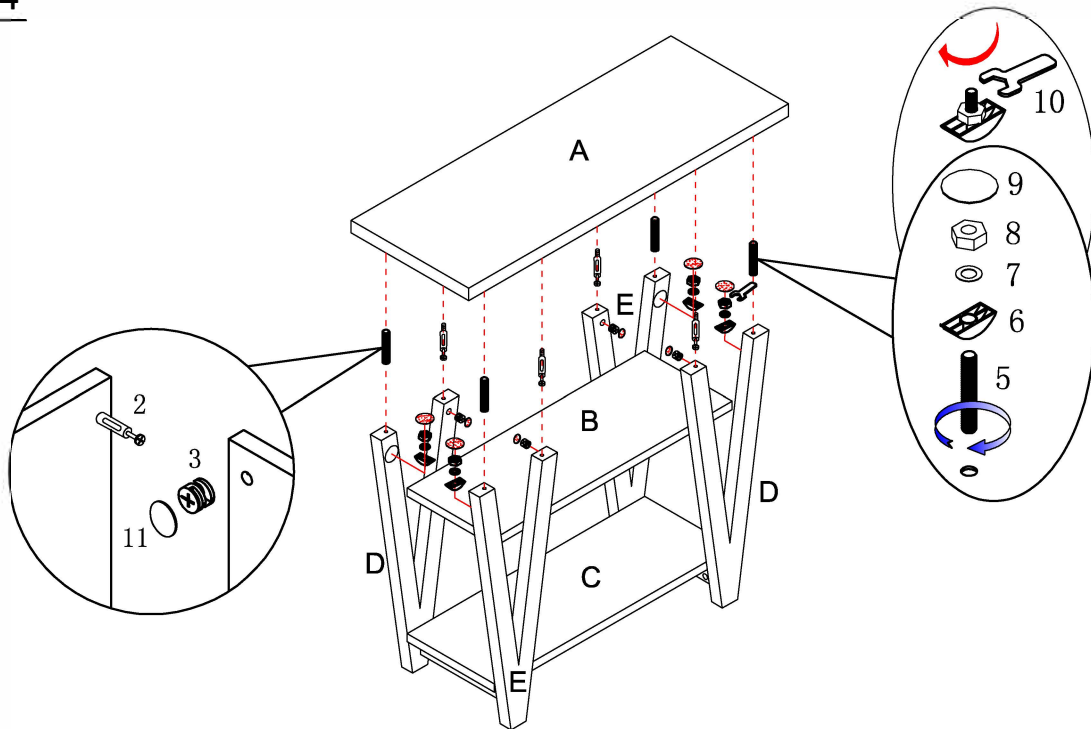


# ASSEMBLY INSTRUCTIONS

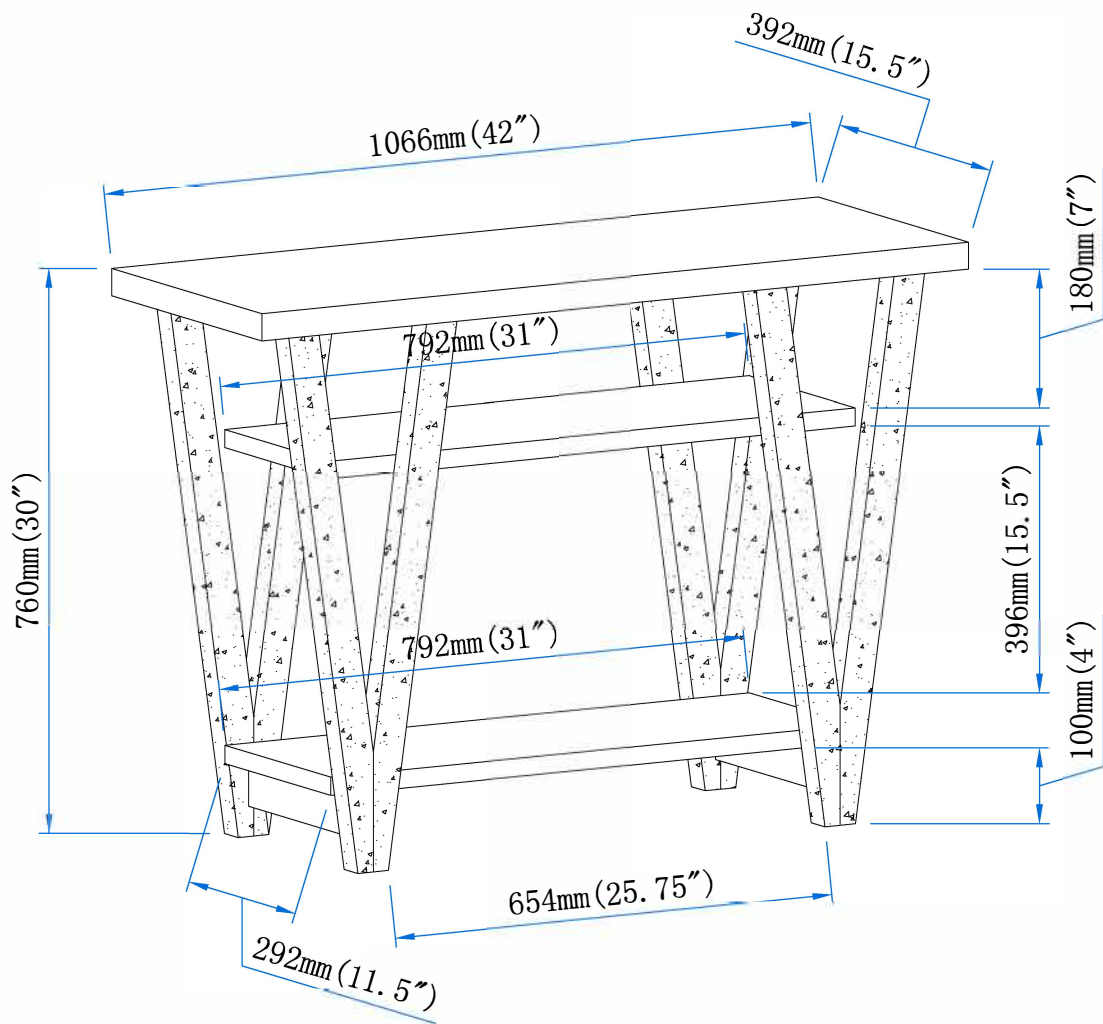
## STEP 3



## STEP 4



# DIMENSION



## ANTI-TIPPING INSTALLMENT INSTRUCTIONS

### FURNITURE TIPPING RESTRAINT

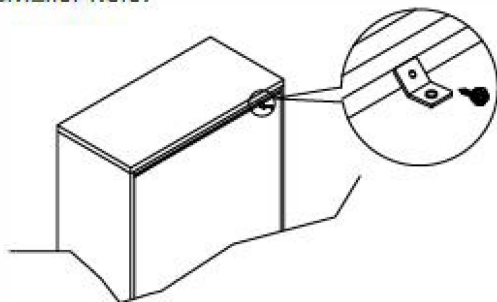
#### WARNING

Injury may result from tipping furniture.  
This restraint may protect against tipping furniture.  
Do not allow children to climb on furniture.  
This restraint is not a substitute for proper adult supervision.  
Failure to detach this restraint before moving the furniture may result in injury and damage.

This tip restraint must be attached to a wall stud using long screw enclosed.

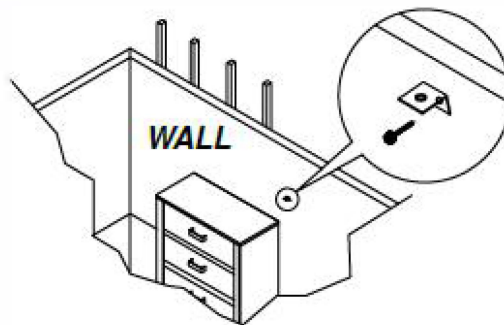
#### STEP 1

Attach a bracket securely to the back top rail to the furniture using short screw provided, through the smaller hole.



#### STEP 2

Locate the other bracket on the wall over a wall stud and two inches below the mounting bracket secured to the back of the furniture. Attach the wall stud using the long screw provided, through the smaller hole.



#### STEP 3

Place the furniture into position so both mounting brackets are vertically in line. Lace the end of the restraint strap through the larger hole in each mounting bracket. Bring both ends together and slide the flat end through the locking and draw it until all slack is removed. Confirm that the strap is securely laced and locked.

