




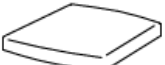

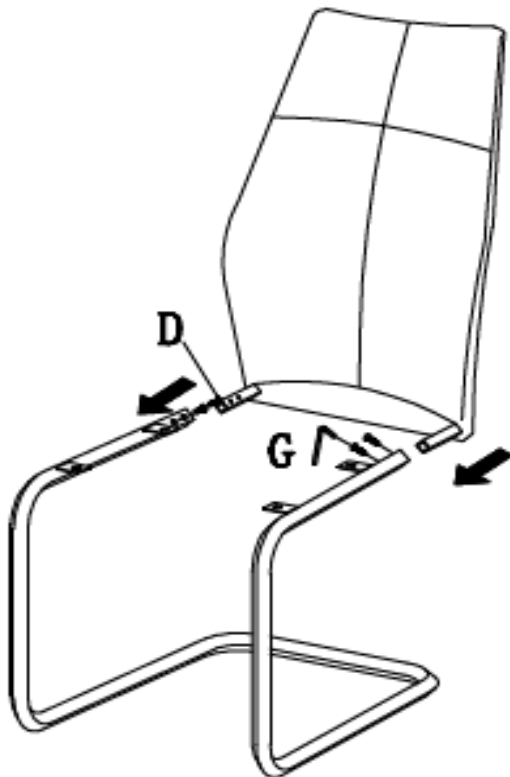


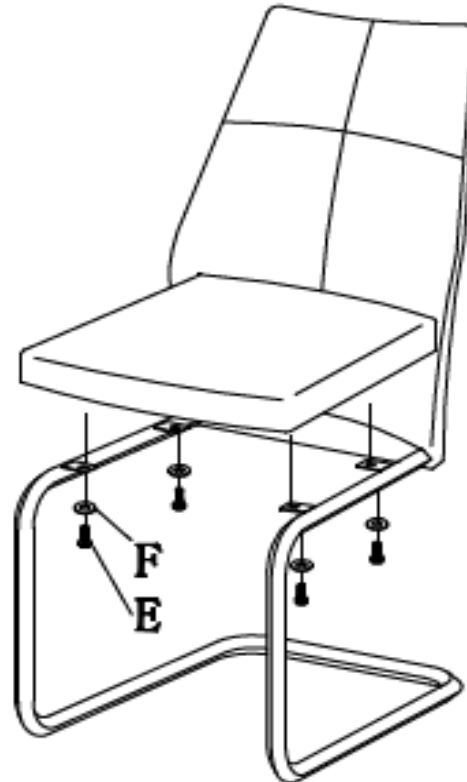
Thank you for purchasing this product .Please take the time to read and follow the instructions below. Check that you have all parts and hardware before assembly. Parts apparently missing are often found in the packing materials. If you do not have all the parts listed, call us and they will be sent to you immediately. Should parts be damaged during transportation, give us a call and we will replace the damaged part as soon as possible.

PARTS LIST / LISTE DE PIÈCES			HARDWARE LIST / LISTE DE QUINCAILLERIE			ASSEMBLED / ASSEMBLÉ
<b>A</b>	 Leg / Pied	1pc	<b>D</b>		Bolt / Boulon	4pc
			<b>E</b>		Bolt / Boulon	4pc
<b>B</b>	 Chairback / Dossier de chaise	1pc	<b>F</b>		Flatwasher / Rondelle plate	4pc
<b>C</b>	 Seat / Siege	1pc	<b>G</b>		Wrench / Clè	1pc

STEP 1 / ÉTAPE 1:



STEP 2 / ÉTAPE 2:



**DO NOT TIGHTEN BOLTS UNTIL COMPLETELY ASSEMBLED.**

**NE PAS SERRER LES BOULONS JUSQU'À CE QUE LE MONTAGE SOIT COMPLETMENT TERMINE**

For items use on wooden floor, hard surfaces or carpets, it is recommended to Install protective pads under all legs and supports to avoid/prevent from damages/scratches and discoloration.

Pour les articles utilisés sur un plancher en bois, des surfaces dures ou tapis, il est recommandé d'installer des mordaches de protection sous tous les jambes et prend en charge pour éviter/empêcher de dommages/rayures et la décoloration