



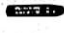

ASSEMBLY INSTRUCTIONS

COUNTER HEIGHT TABLE

Thanks for buying our products. Please unpack the box and place the contents on a flat, level surface near your screwdriver and wrench. Verify that you have all the parts and hardware, including the necessary Allen wrench, bolts and washers.

PARTS LIST

No.	Hardware List	Q'ty
A	Bolt (Ø5/16" * 2"L)	8pcs
B	Spring Washer (Ø5/16")	8pcs
C	Flat Washer (Ø5/16" * 19mm)	8pcs
D	Allen Wrench (5mm)	1pc
E		8pcs

F	 Seat frame	1 PC	H		Short support	2PCS
G	 LEG	4PCS	I		Long support	2PCS

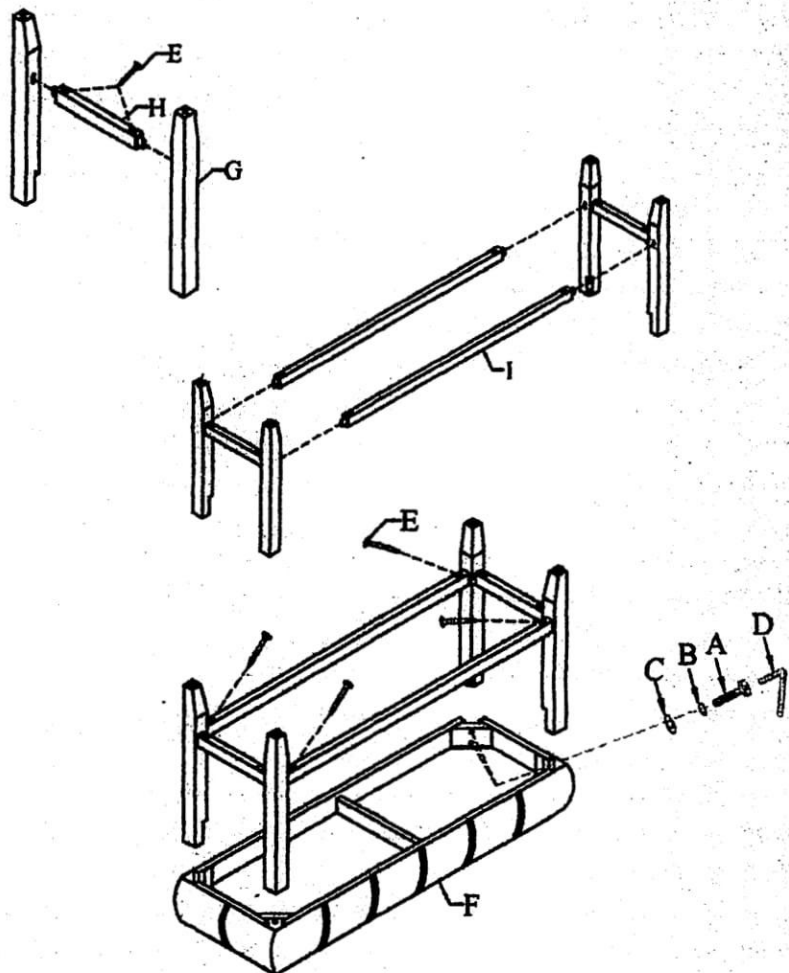
Note:

-- 2 people are required to safely assemble this product.

-- Please don't fasten the screws before attaching all the screws.

A) With the assistance of another adult, place tabletop upside down onto a clean, padded surface. Fit 4 legs into tabletop as shown.

B) Secure legs to tabletop by tightening Bolts with Spring washer & Flat washer as shown using an allen wrench. Do not over tighten the bolts.



C) With the assistance of another adult, position table upright as shown.

Assembly is now complete.

