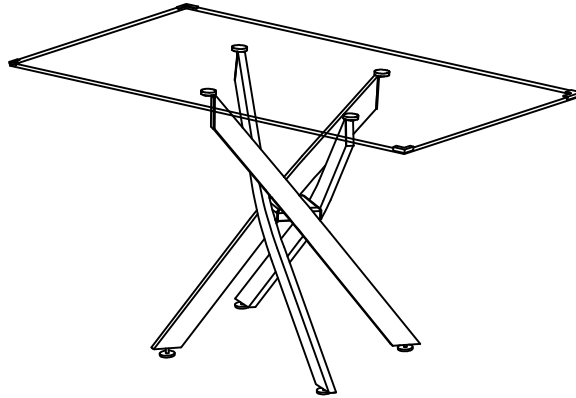


# Assembly Instructions



Please install the products on carpet or soft place.

## Parts List

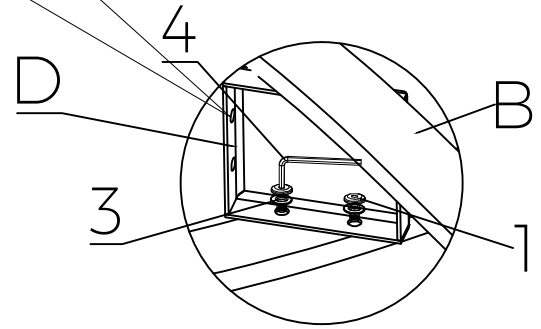
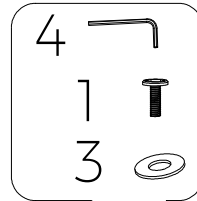
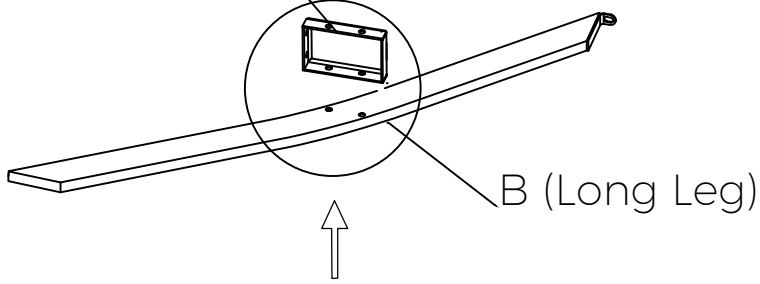
No.	Sketch	Description	Qty
A		Glass Top	1
B		Long Leg	2
C		Short Leg	2
D		Iron Box	1
E		Adjustable Feet	4

## Hardware List

No.	Sketch	Description	Qty
1		Bolts M8X16	8
2		Bolts M8X10	4
3		Gasket	12
4		Allen Key	1
5		Plastic Protection Corner	4

# STEP 1

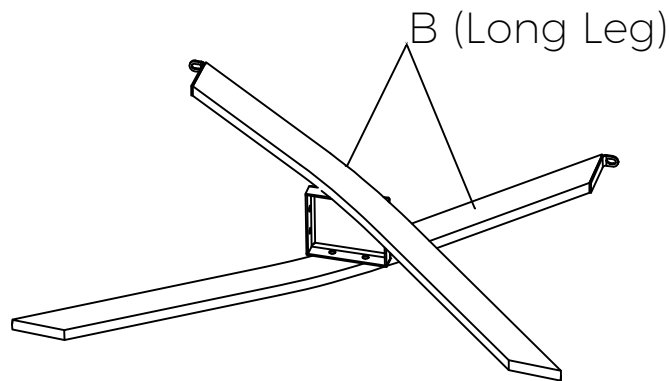
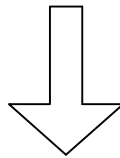
Long side of the iron box



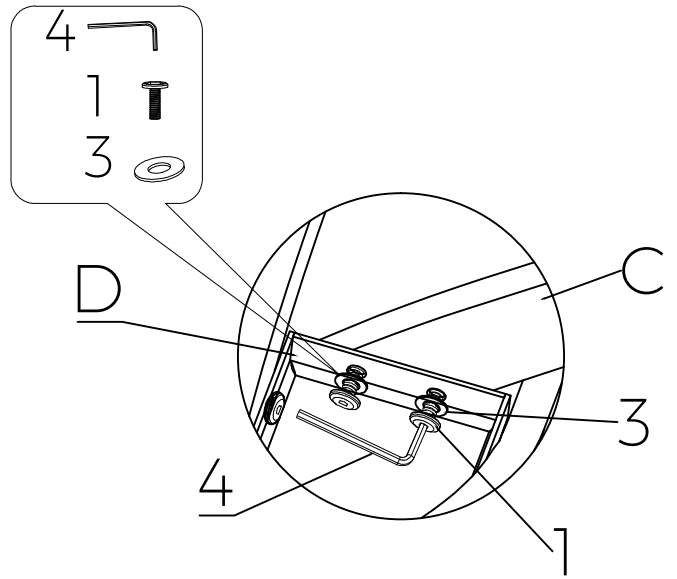
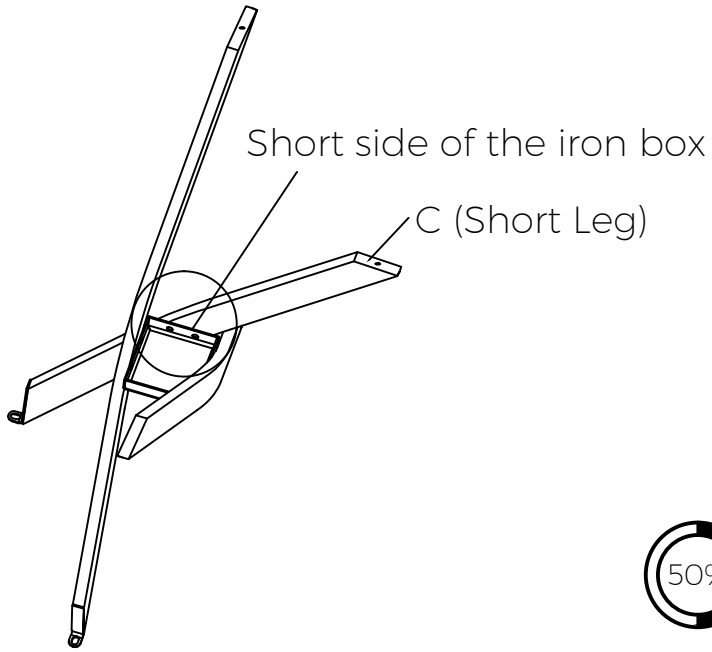
Note: The opening direction of the box should be consistent with the picture



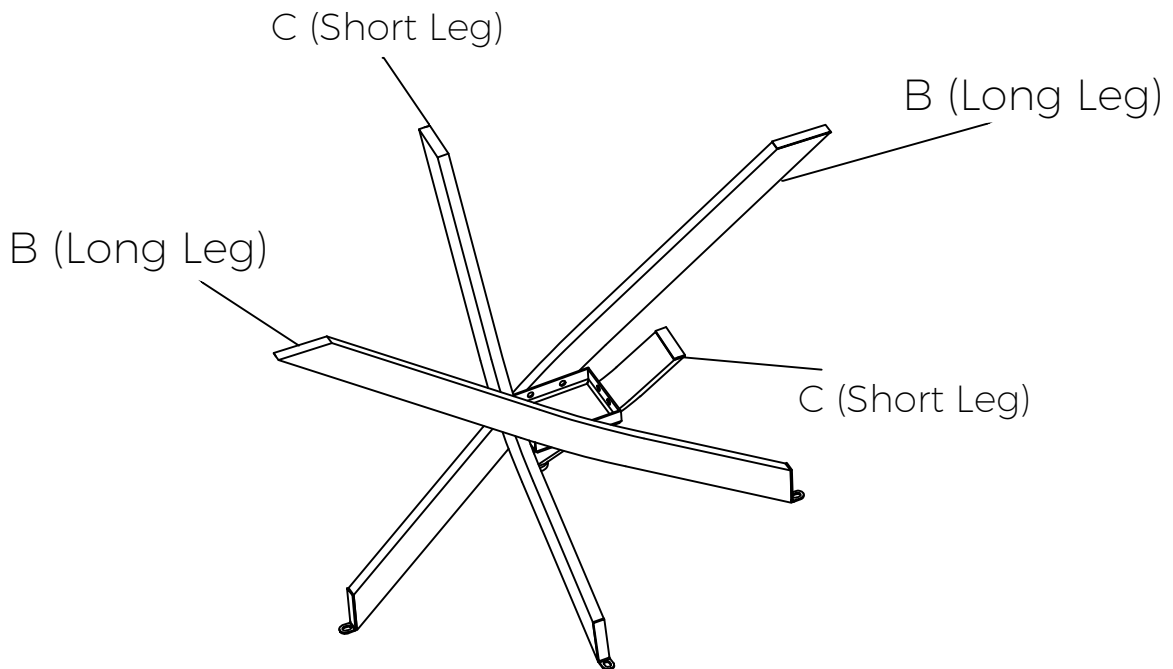
Half-tighten all screws



# STEP 2

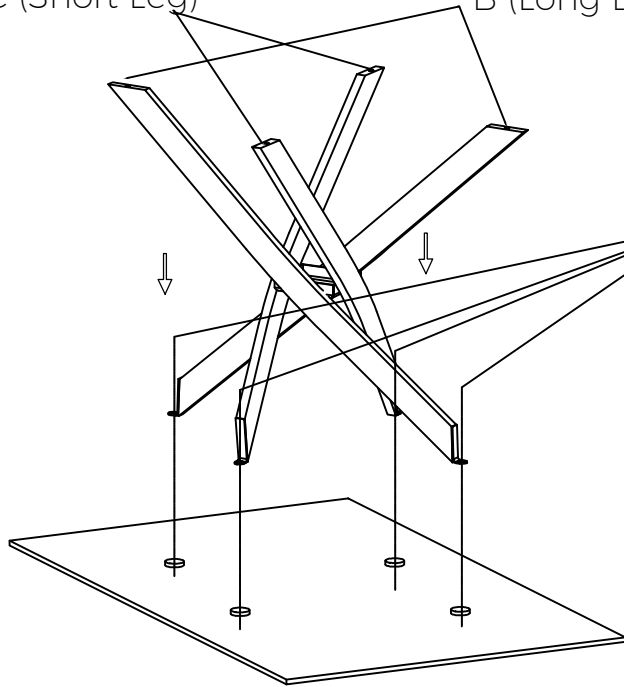


Half-tighten all screws

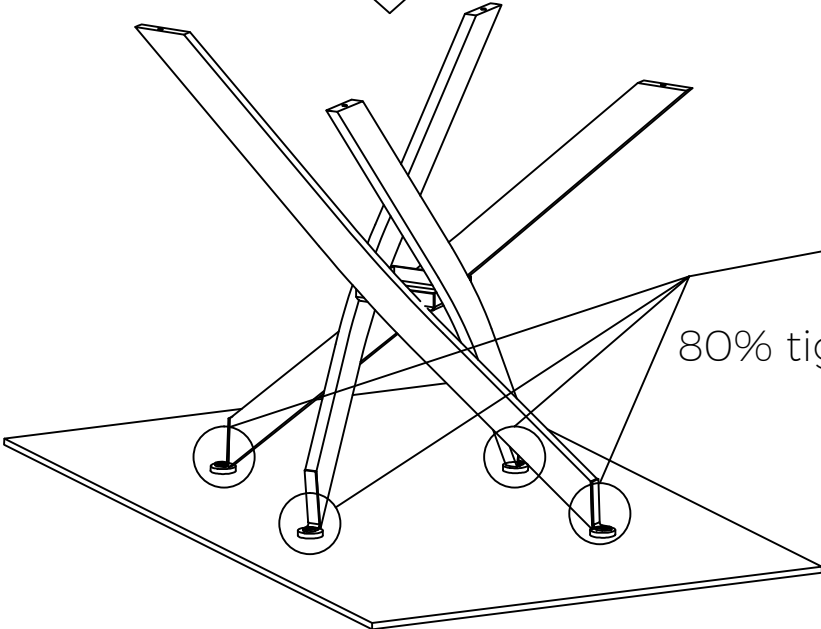
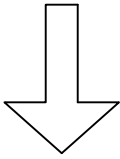
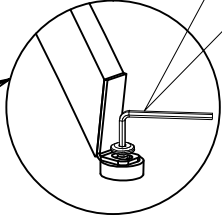


# STEP 3

C (Short Leg)      B (Long Leg)

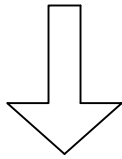
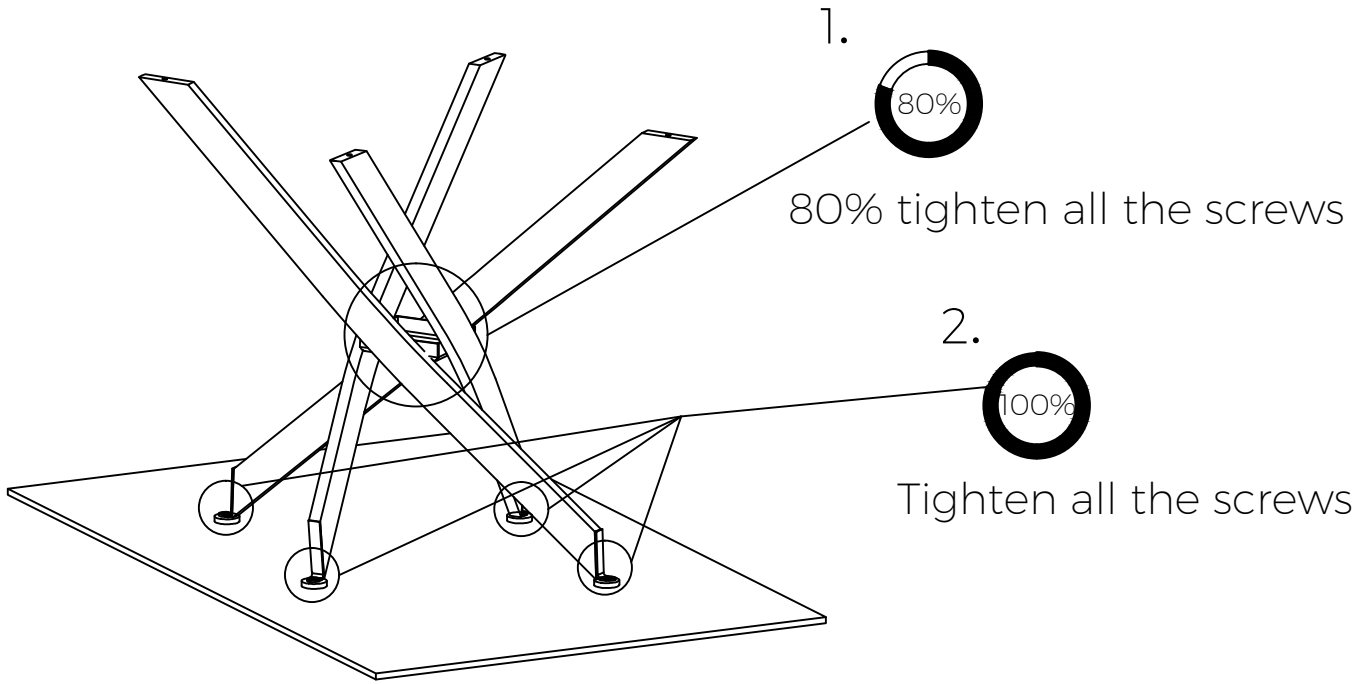


- 4
- 2
- 3

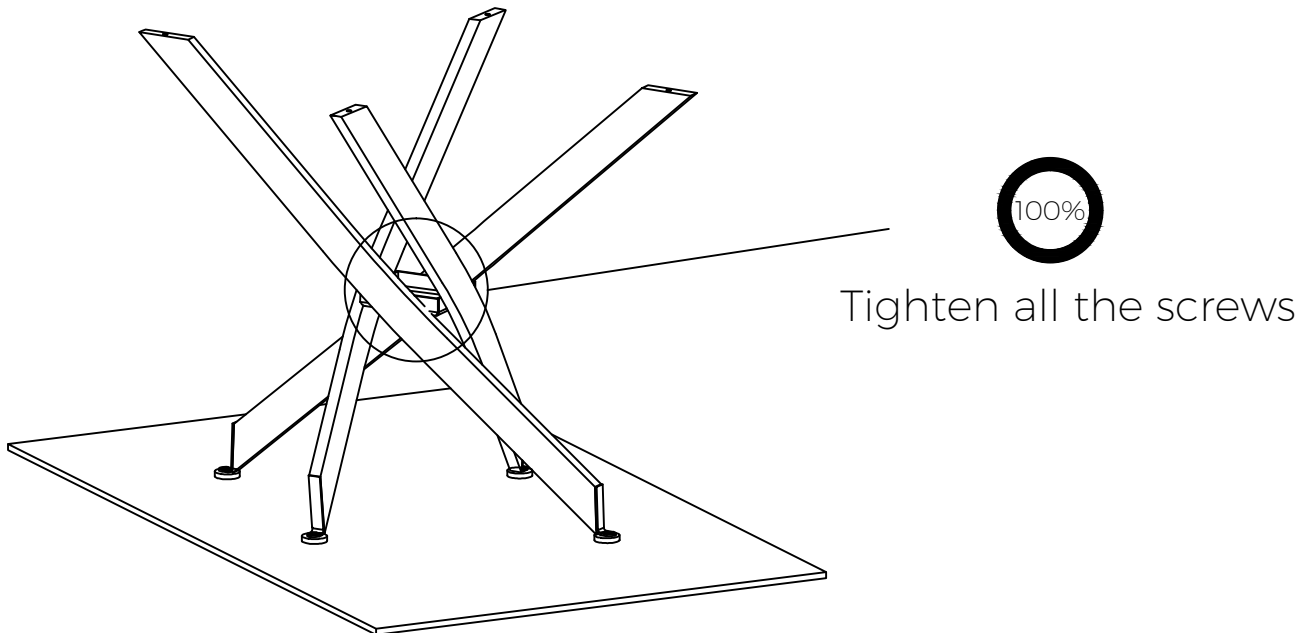


80% tighten all the screws

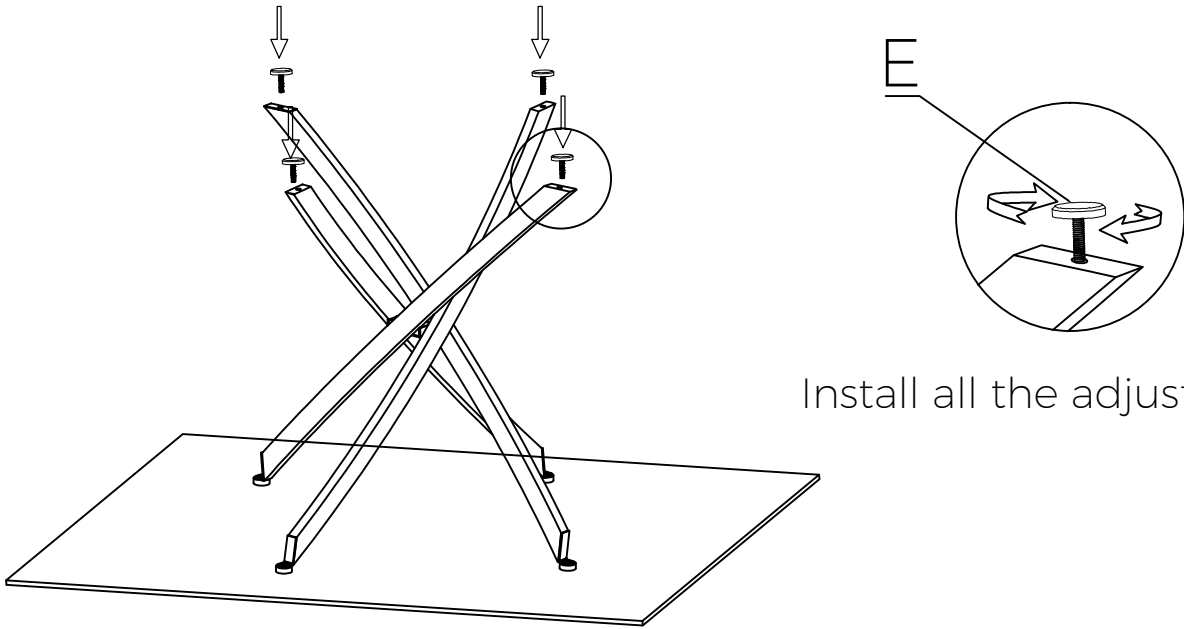
STEP 4



After aligning feet

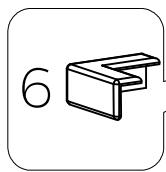


## STEP 5

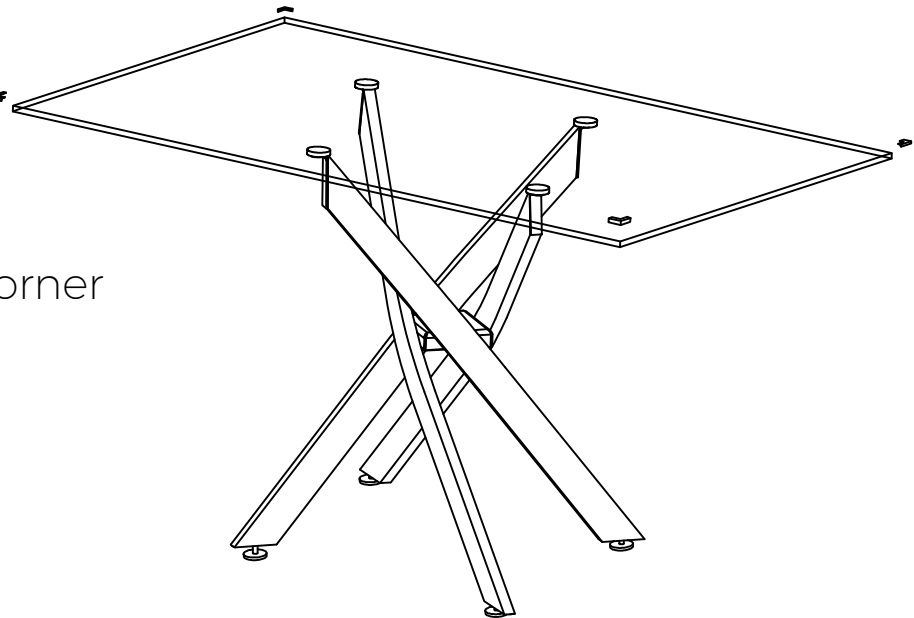


Install all the adjustable feet.

## STEP 6



Plastic protection corner



COMPLETED

